



US00D588032S

(12) **United States Design Patent**  
**Kesselman**

(10) **Patent No.:** **US D588,032 S**  
(45) **Date of Patent:** **\*\* Mar. 10, 2009**

(54) **HANDHELD SCALE WITH DECORATIVE DESIGN**

(76) Inventor: **Joshua David Kesselman**, 3315 W. Buckeye Rd., Ste B., Phoenix, AZ (US) 85009

(\*\*) Term: **14 Years**

(21) Appl. No.: **29/312,155**

(22) Filed: **Oct. 1, 2008**

(51) **LOC (9) Cl.** ..... **10-04**

(52) **U.S. Cl.** ..... **D10/91**

(58) **Field of Classification Search** ..... D10/88-94;  
177/210 R, 210 C, 210 GM, 210 PP, 236,  
177/245, DIG. 3, 25.12-25.18, 177, 126,  
177/1, 181, 25, 30, 127, 131, 148, 225, 21 EM,  
177/21 FP, 212-214, 211; 600/506, 547

See application file for complete search history.

(56) **References Cited**

**U.S. PATENT DOCUMENTS**

- D552,498 S \* 10/2007 Roesmann et al. .... D10/91
- D553,035 S \* 10/2007 Huang ..... D10/92
- D578,420 S \* 10/2008 Kesselman ..... D10/91
- D578,421 S \* 10/2008 Kesselman ..... D10/91

\* cited by examiner

*Primary Examiner*—Antoine D Davis

(57) **CLAIM**

The ornamental design for a handheld scale with decorative design, as shown and described.

**DESCRIPTION**

FIG. 1 is a top-side perspective view of my new handheld scale with decorative design

FIG. 2 is a top plan view of my new handheld scale with decorative design

FIG. 3. is a bottom plan view of my new handheld scale with decorative design

FIG. 4 is a left side elevational view of my new handheld scale with decorative design

FIG. 5 is a rear elevational view of my new handheld scale with decorative design

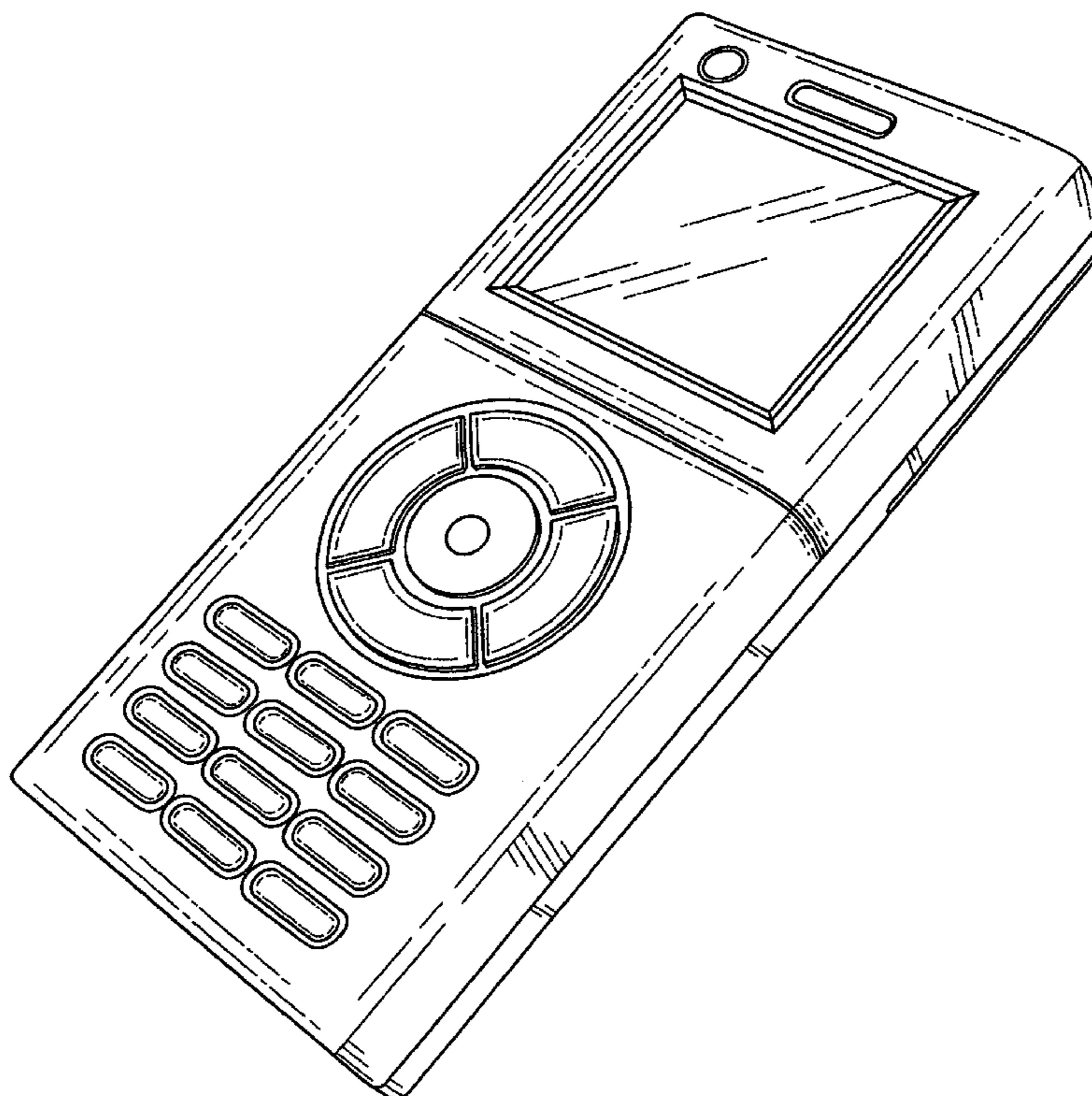
FIG. 6 is a front elevational view of my new handheld scale with decorative design

FIG. 7 is a top-side perspective view of my new handheld scale with decorative design without the removable cover; and,

FIG. 8 is a top plan view of my new handheld scale with decorative design without the removable cover.

My handheld scale with decorative design is characterized by a decorative case that looks similar to a cellular telephone with a removable cover. When the cover is removed, a rectangular-shaped weighing table is revealed with a square-shaped LCD display with touch-screen functional buttons.

**1 Claim, 7 Drawing Sheets**



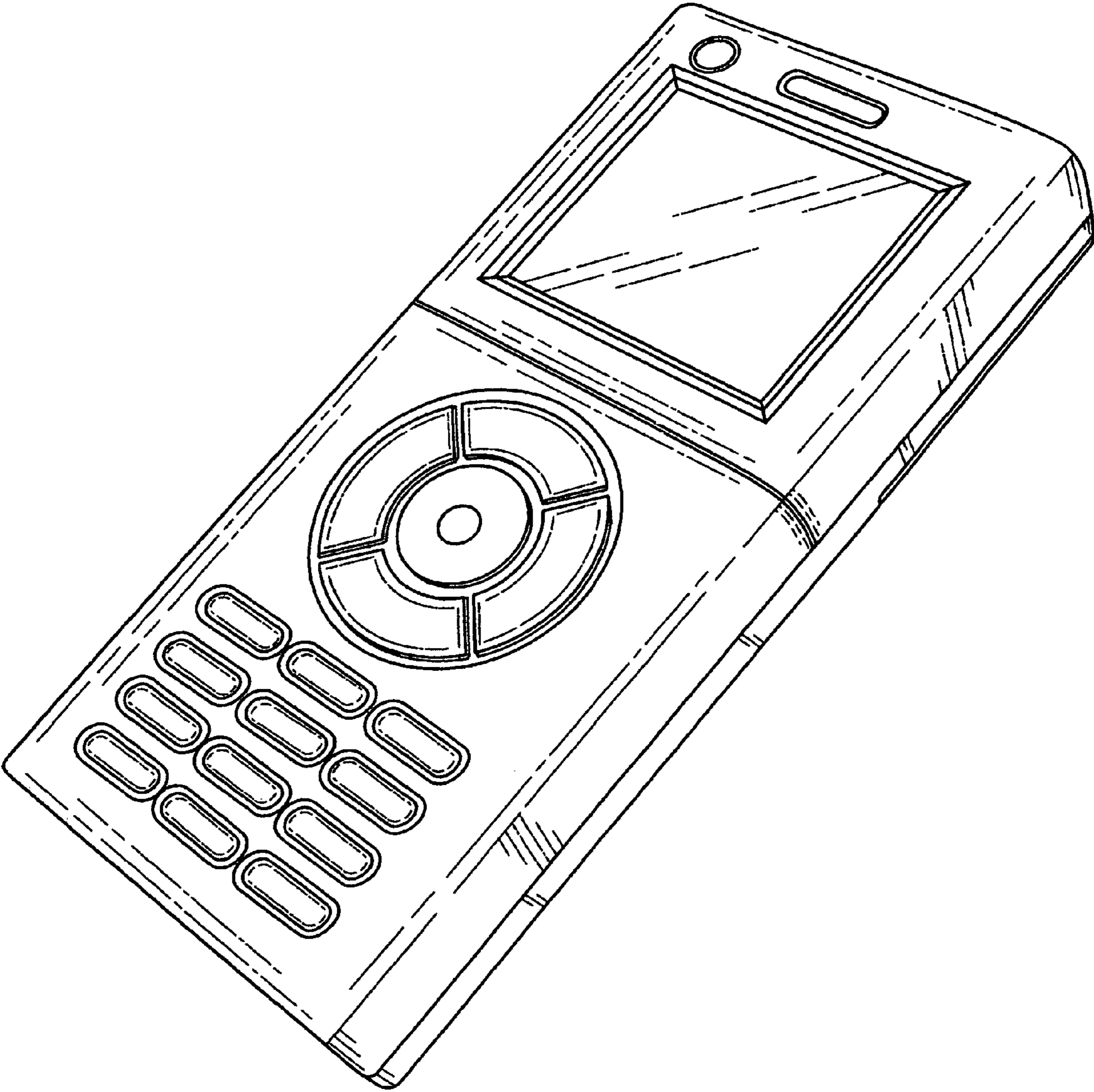


FIG. 1

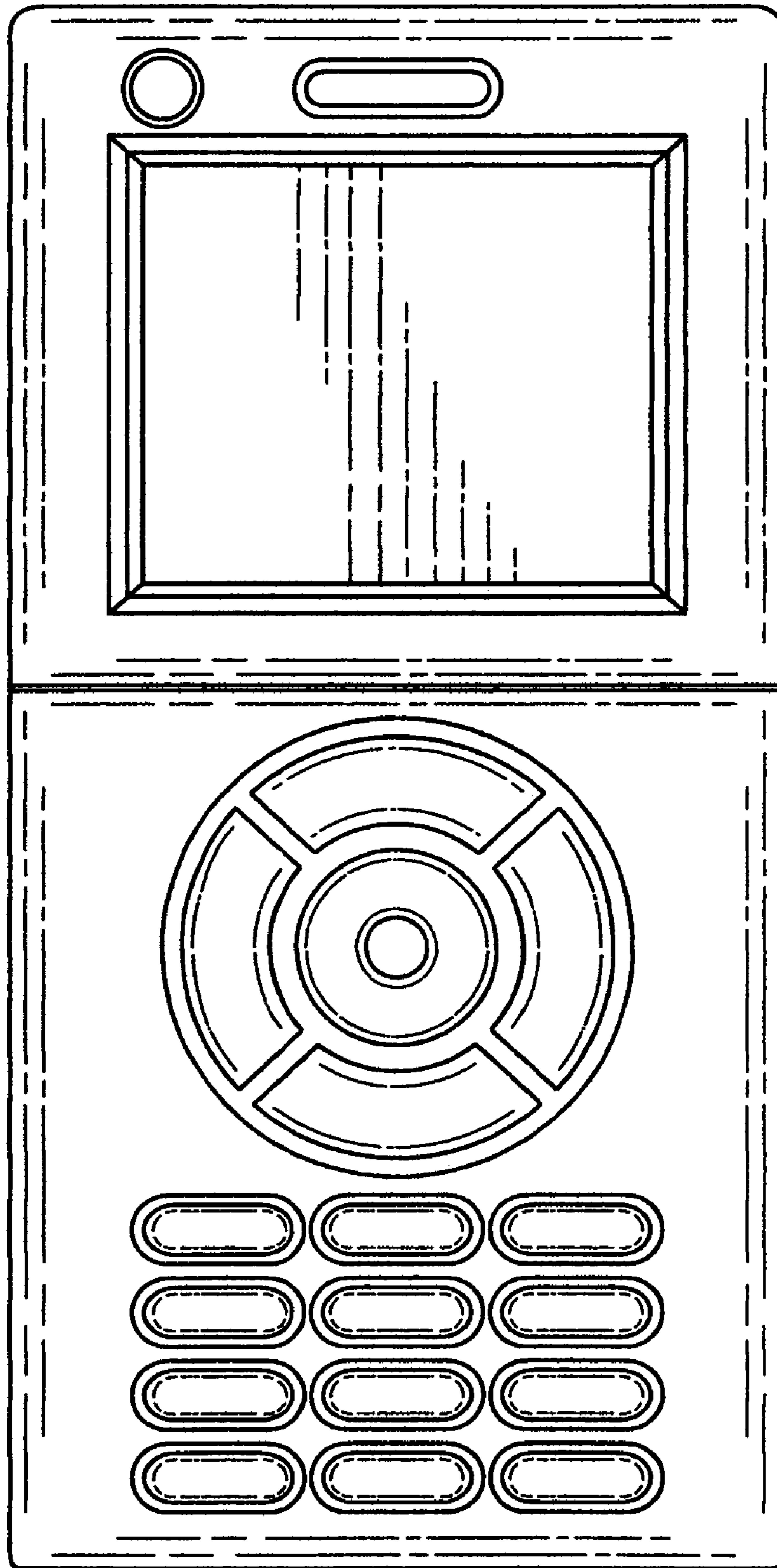


FIG. 2

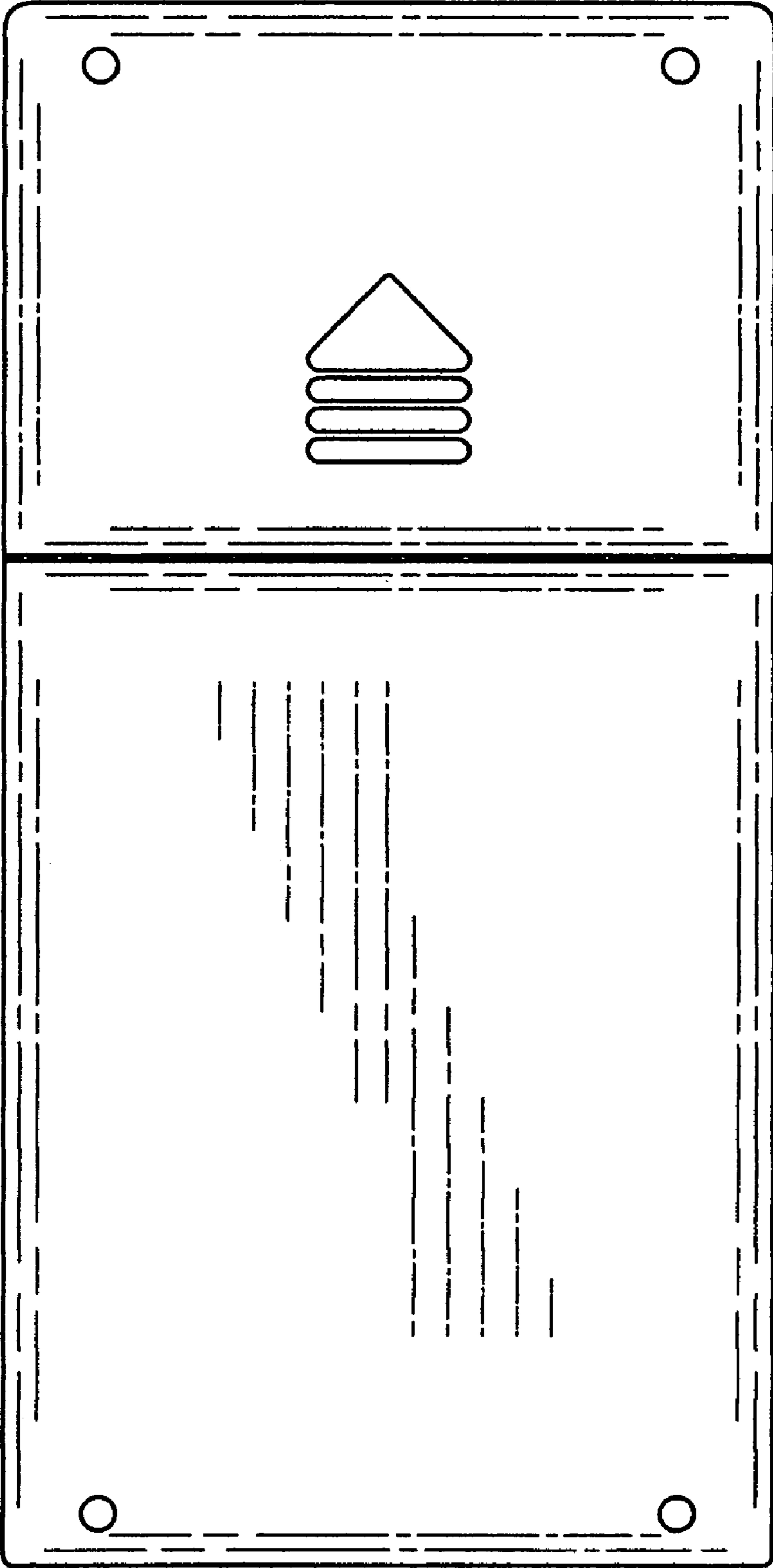


FIG. 3



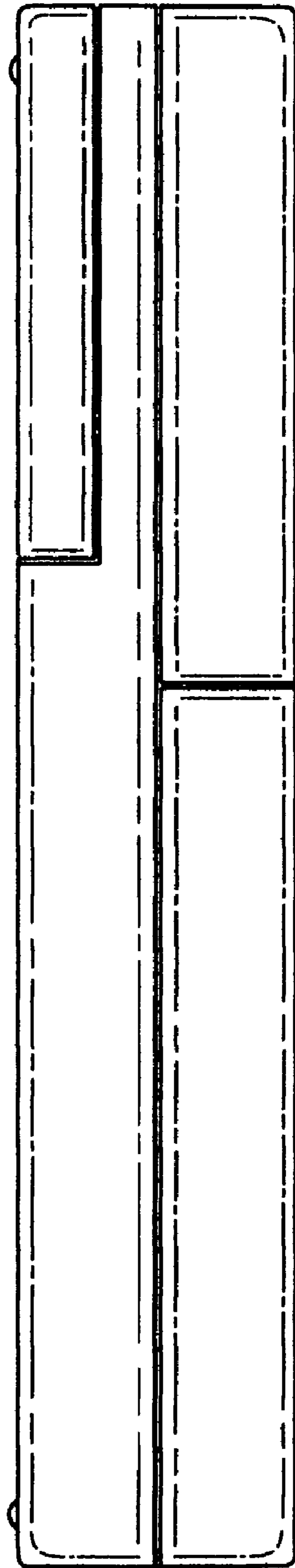


FIG. 4

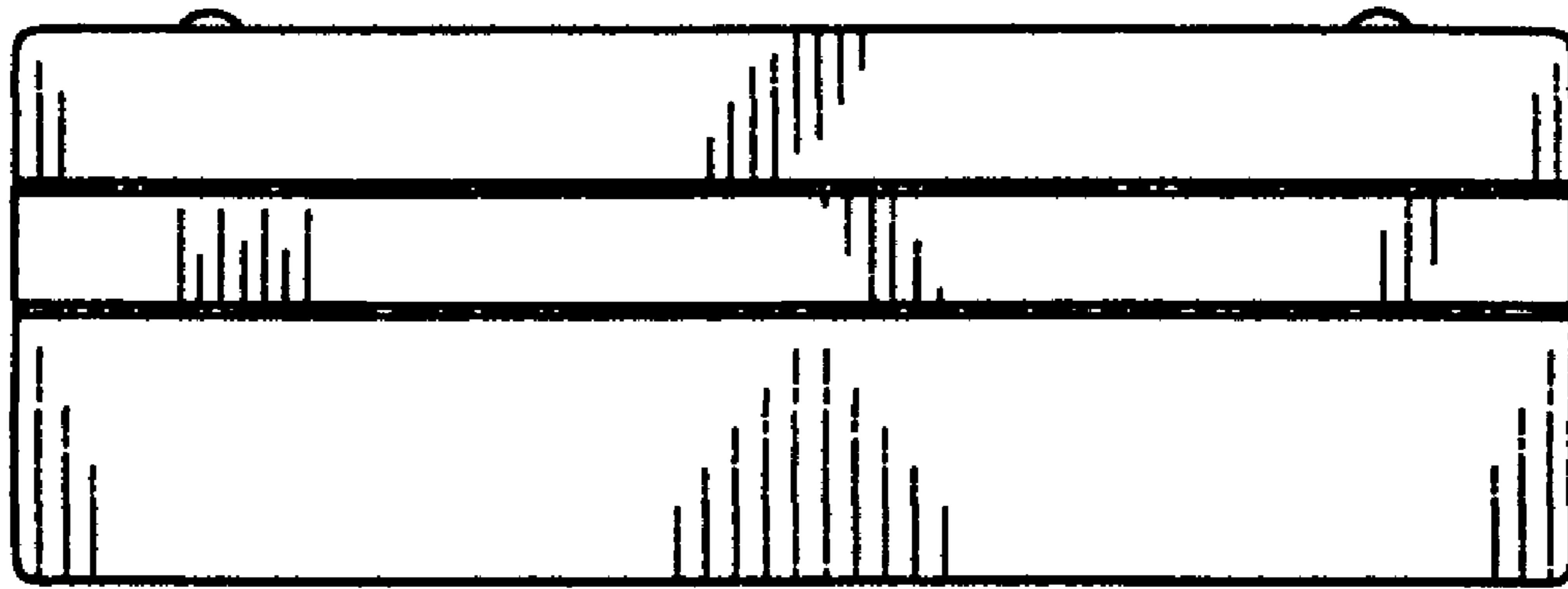


FIG. 5

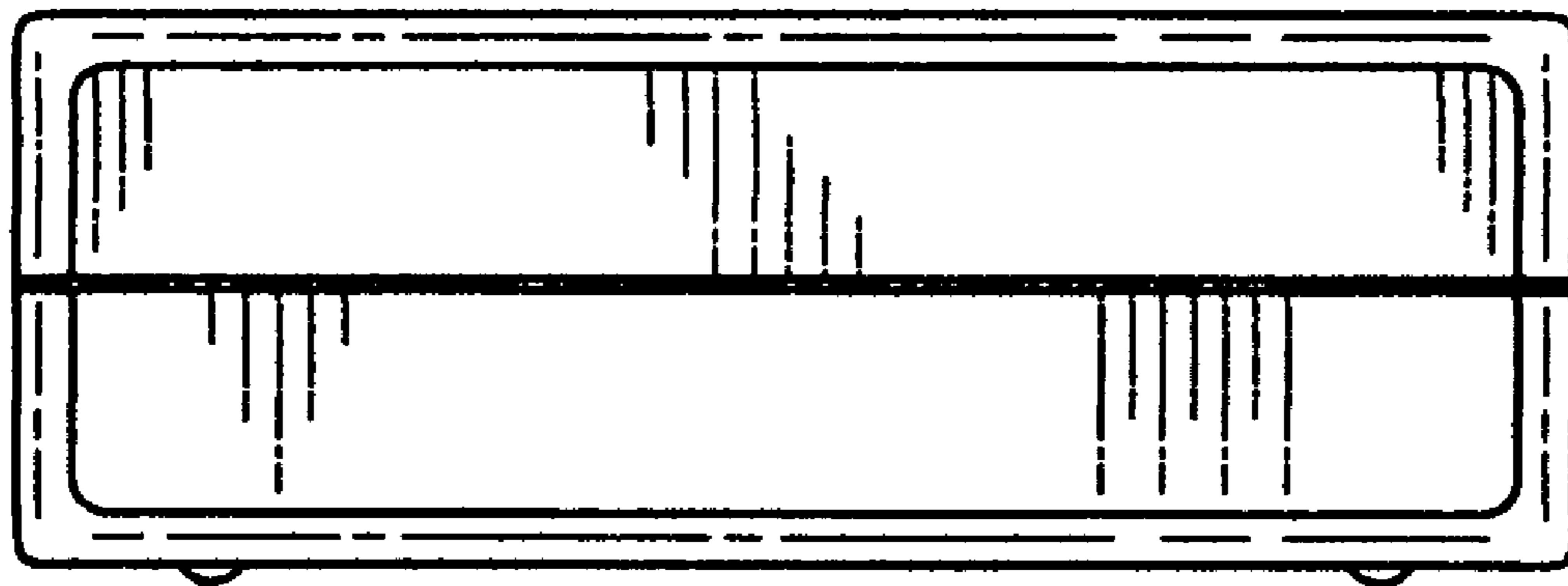


FIG. 6

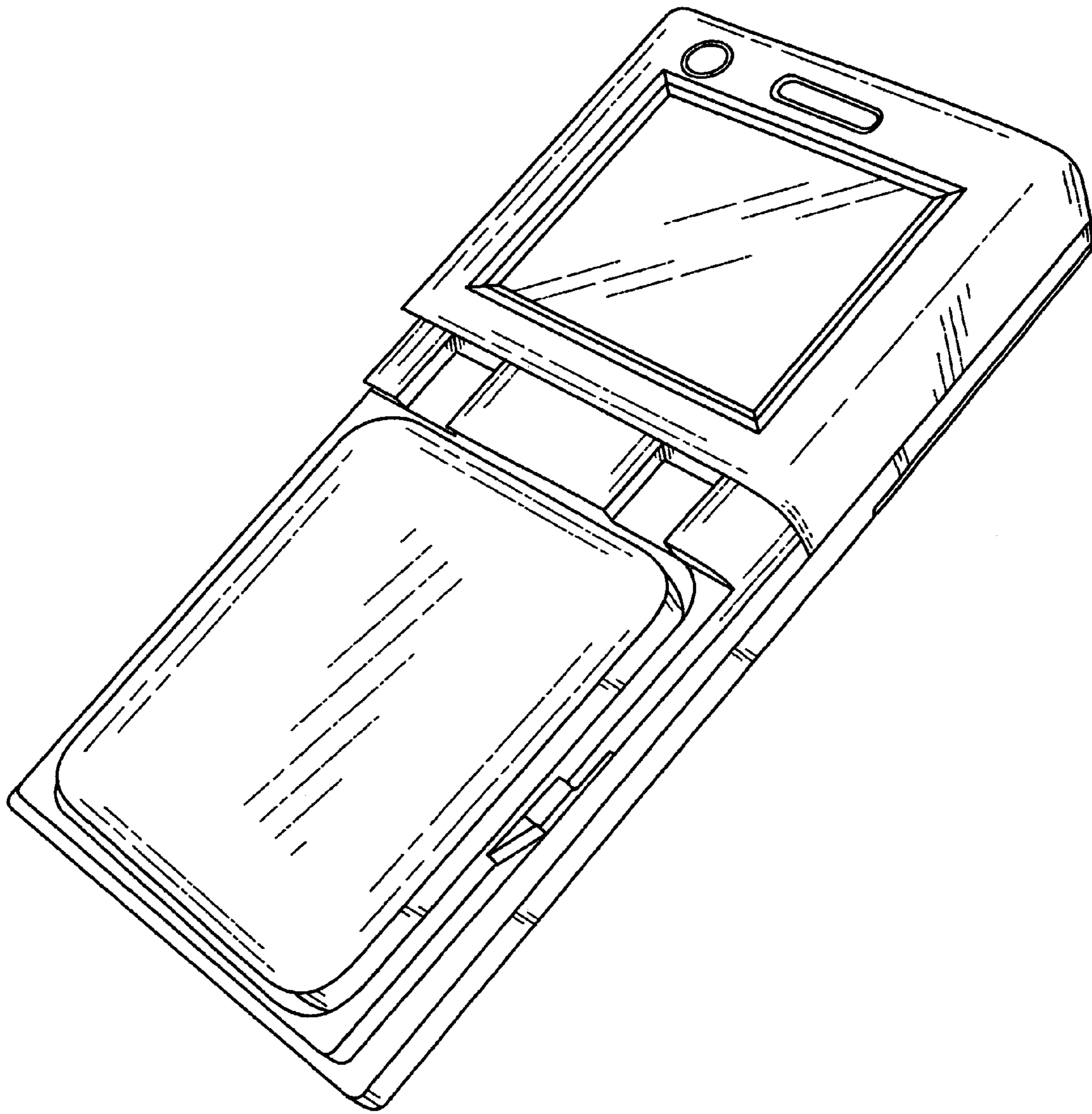


FIG. 7

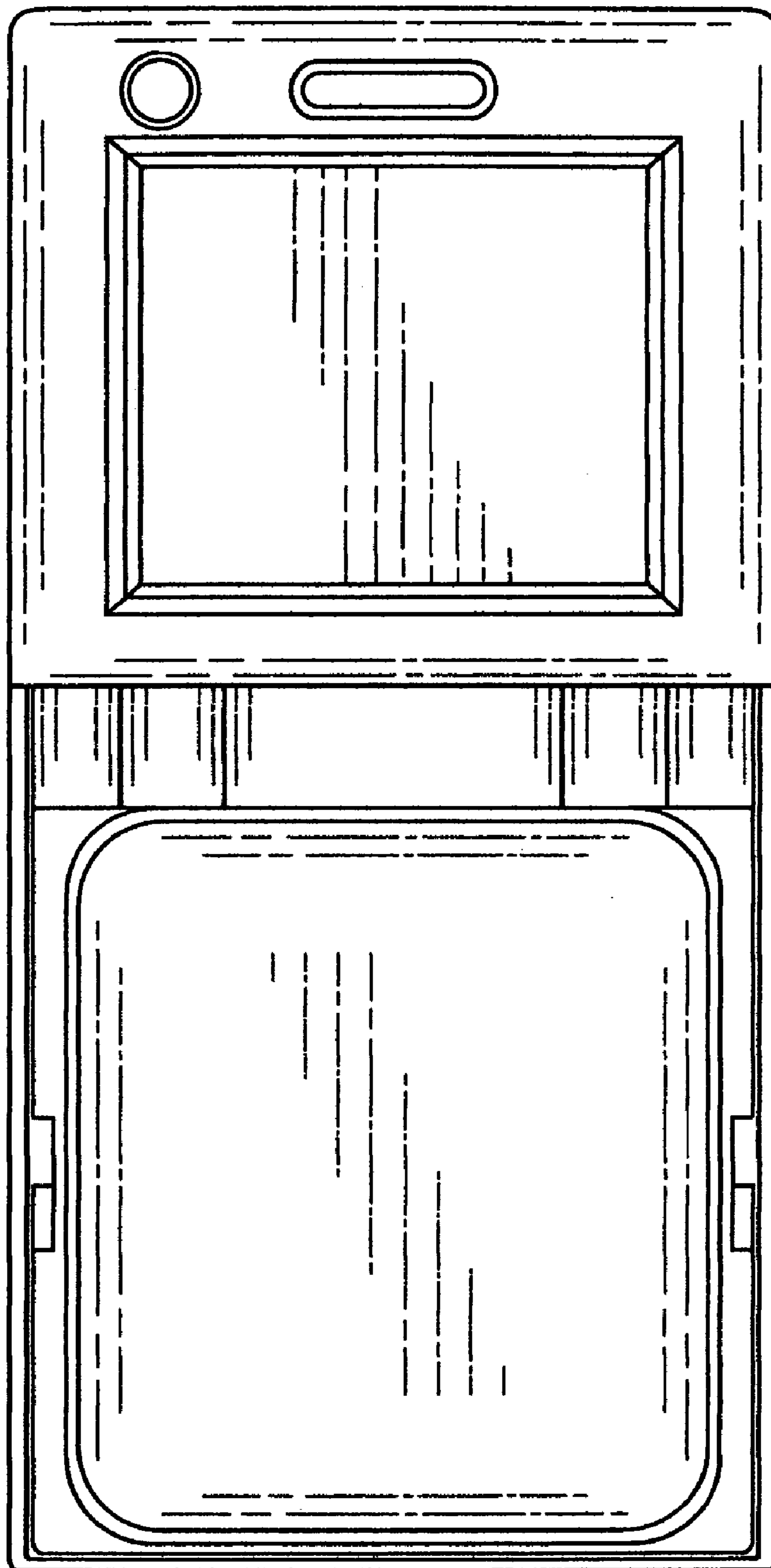


FIG. 8