



US00D588026S

(12) **United States Design Patent**
Sayegh et al.

(10) **Patent No.:** **US D588,026 S**
(45) **Date of Patent:** **** Mar. 10, 2009**

(54) **ARTICLE SURVEILLANCE TAG HAVING PROTRUSIONS**

(76) Inventors: **Adel Sayegh**, 5143 Paddock Pl., Rancho Cucamonga, CA (US) 91730; **Zhaolian Wu**, 1418 Moganshan Road, Hangzhou (CN) 310015

(**) Term: **14 Years**

(21) Appl. No.: **29/295,873**

(22) Filed: **Oct. 9, 2007**

Related U.S. Application Data

(63) Continuation-in-part of application No. 29/248,998, filed on Sep. 14, 2006, now Pat. No. Des. 563,251.

(51) **LOC (9) Cl.** **10-03**

(52) **U.S. Cl.** **D10/42**

(58) **Field of Classification Search** D10/106;
70/57.1, 57; 24/704.1; 340/572.1, 571.2,
340/571.8, 571.9

See application file for complete search history.

(56) **References Cited**

U.S. PATENT DOCUMENTS

3,911,534 A	10/1975	Martens et al.	
3,942,829 A	3/1976	Humble et al.	
4,380,097 A	4/1983	Keifer	
D274,796 S	7/1984	Humble	
4,483,049 A	11/1984	Gustavsson	
4,616,113 A *	10/1986	Jank et al.	200/61.13
4,649,397 A	3/1987	Heaton et al.	
5,140,836 A	8/1992	Hogan et al.	
5,345,220 A *	9/1994	Wachsman	340/568.4
5,508,682 A	4/1996	Wachsman	
5,577,395 A	11/1996	Kukendall	
D427,929 S	7/2000	Sayegh	
6,102,200 A	8/2000	Dressen	
D460,012 S	7/2002	Proulx et al.	
6,449,991 B1	9/2002	Hogan	
D466,037 S	11/2002	Huehner et al.	
D466,426 S	12/2002	Proulx et al.	

D468,223 S	1/2003	Huehner	
D477,240 S	7/2003	Huehner	
6,754,939 B2	6/2004	Belden, Jr. et al.	
D523,729 S *	6/2006	Gorst	D8/333
7,062,823 B2	6/2006	Copen et al.	
7,249,401 B2 *	7/2007	Copen et al.	24/704.1
2006/0021394 A1	2/2006	Belden	

* cited by examiner

Primary Examiner—Robert M Spear

Assistant Examiner—George D Kirschbaum

(74) *Attorney, Agent, or Firm*—Milord A. Keshishian

(57) **CLAIM**

The ornamental design for an article surveillance tag having protrusions, as shown and described.

DESCRIPTION

FIG. 1 is a left side elevational view of an article surveillance tag having protrusions, in an engaged state, showing our new design;

FIG. 2 is a right side elevational view thereof;

FIG. 3 is a rear plan view thereof;

FIG. 4 is a front plan view thereof;

FIG. 5 is a top plan view thereof;

FIG. 6 is a bottom plan view thereof;

FIG. 7 is a top, front, perspective view thereof;

FIG. 8 is a bottom, rear view thereof;

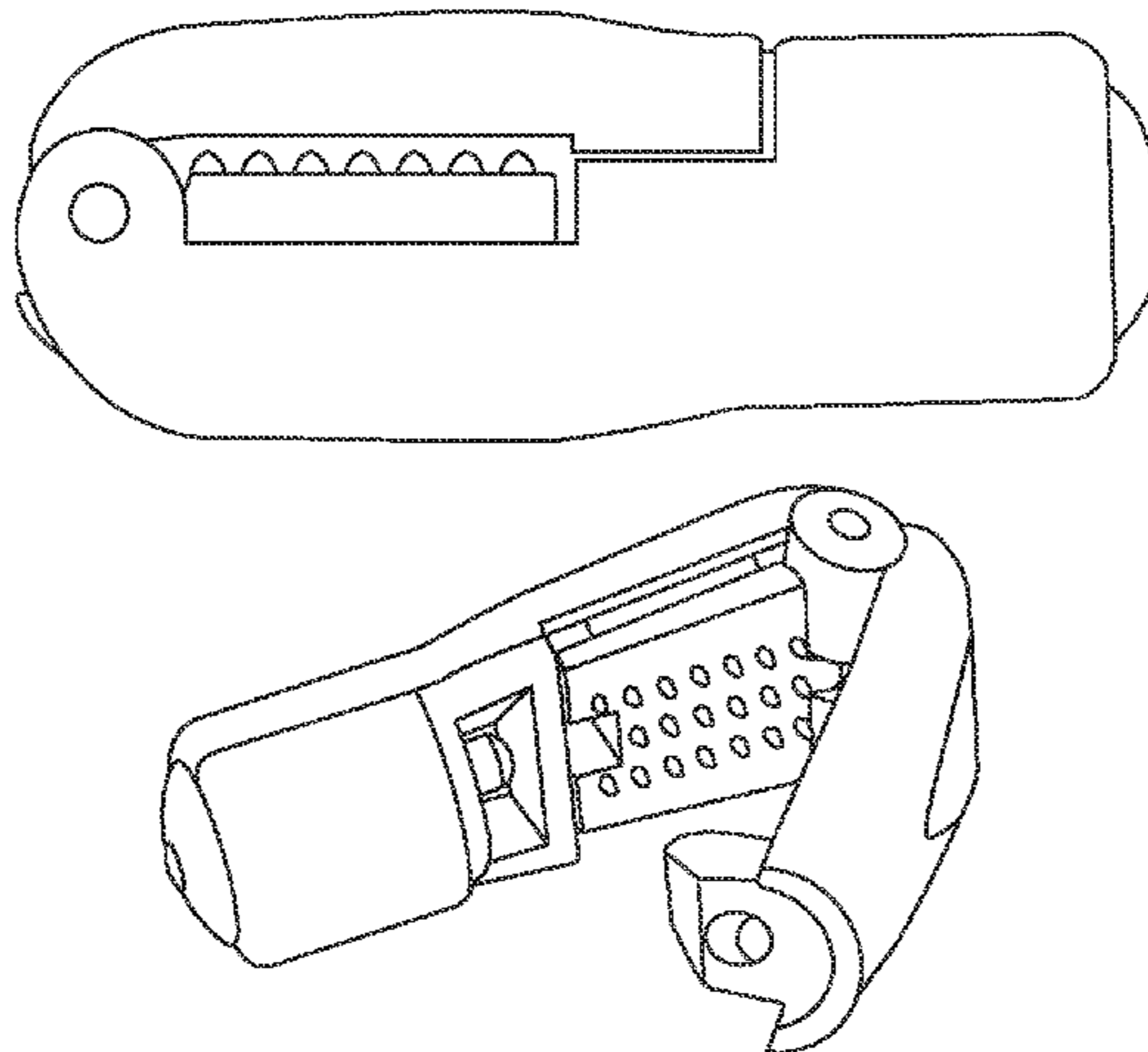
FIG. 9 is a top perspective view in an unengaged state;

FIG. 10 is a front end, perspective view thereof;

FIG. 11 is a rear end, perspective view from the rear in an unengaged state; and,

FIG. 12 is a second embodiment showing the design in a top, front perspective in an engaged state; with all the elements of the embodiment being the same as those in FIGS. 1–6 with the exception of the front end not having any central ornamentation.

1 Claim, 3 Drawing Sheets



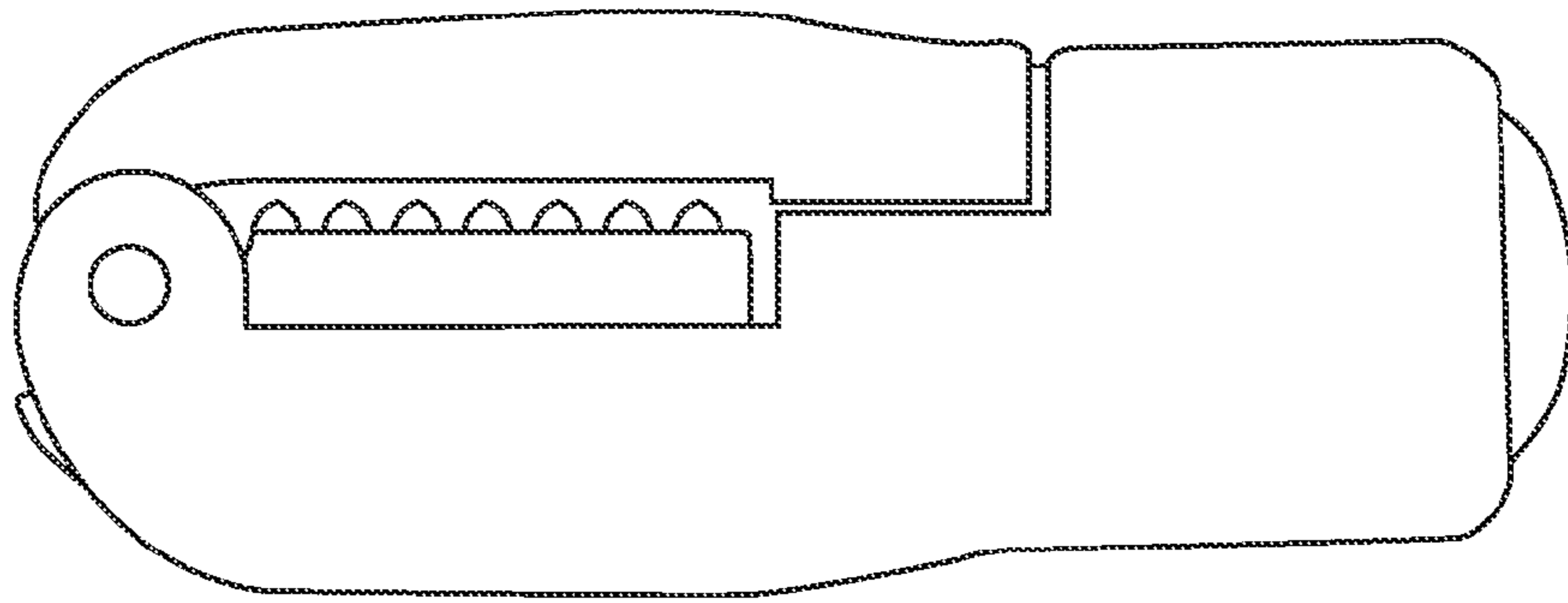


Fig. 1

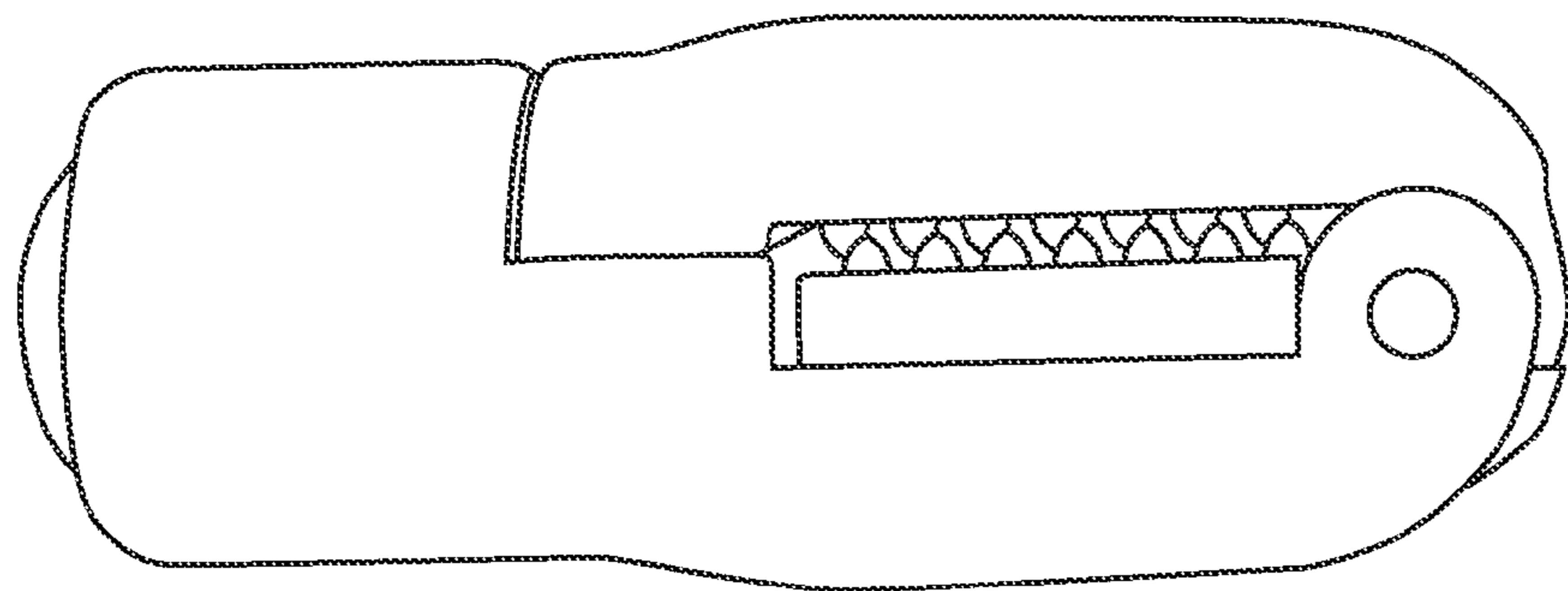


Fig. 2

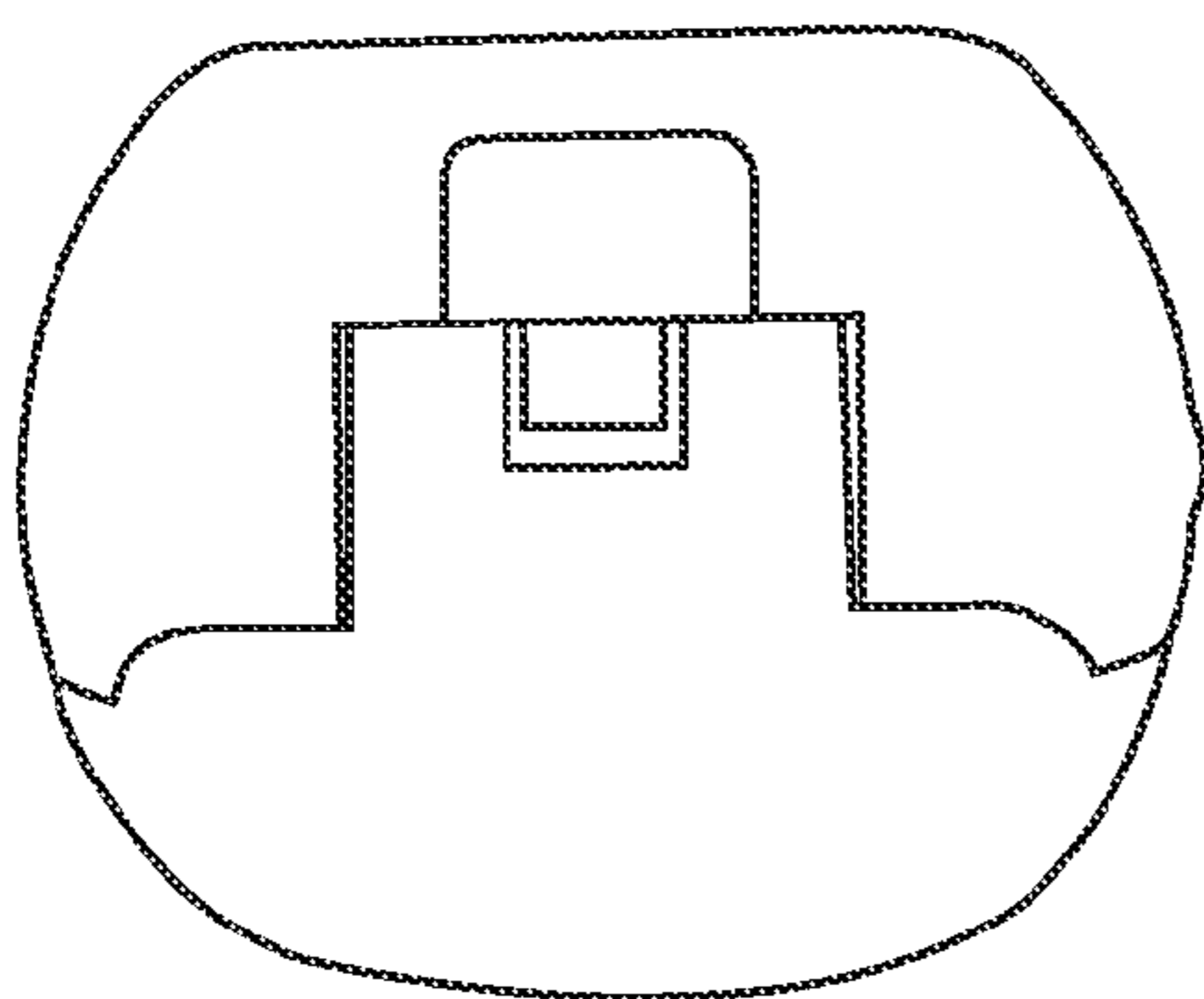


Fig. 3

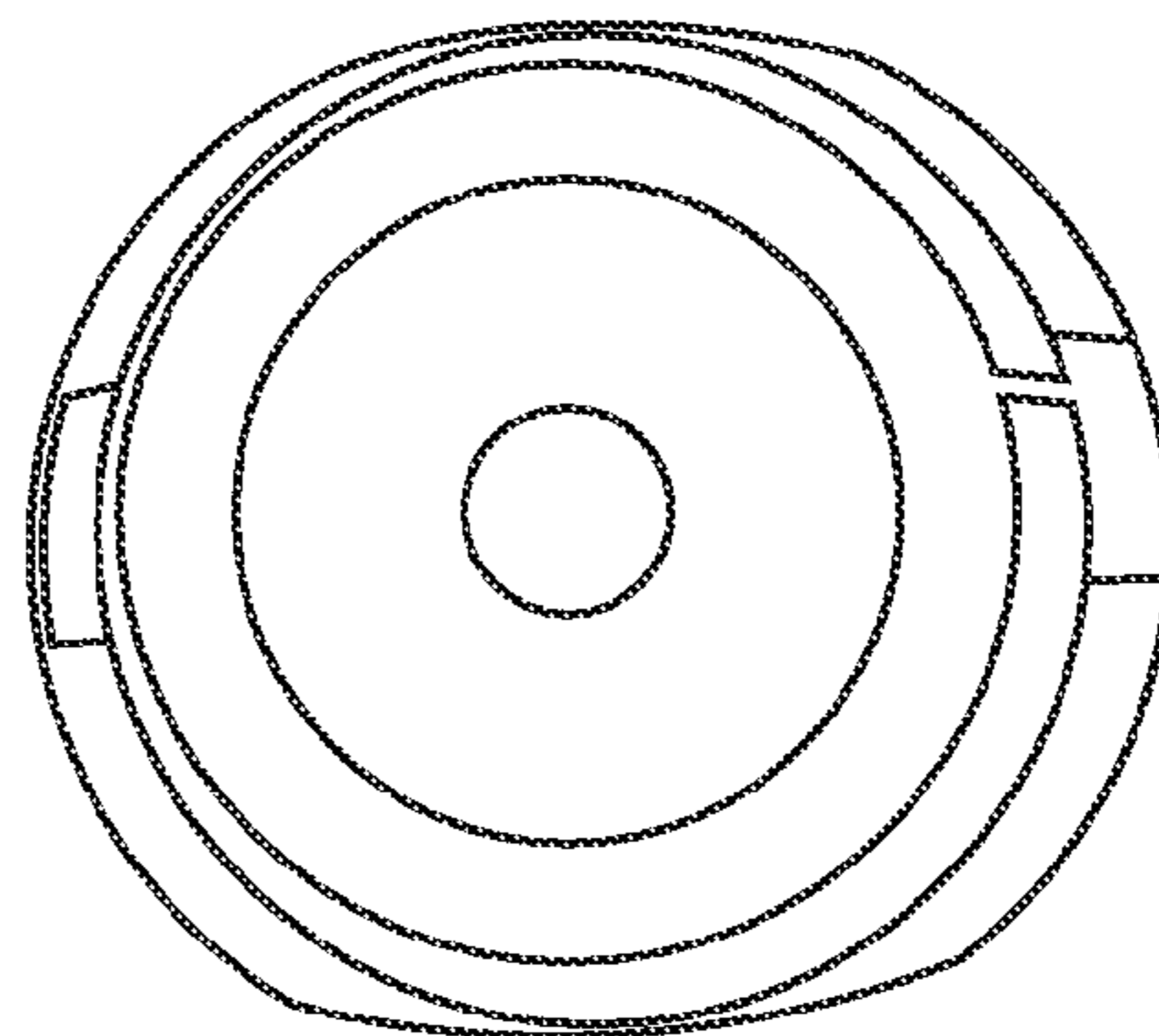


Fig. 4

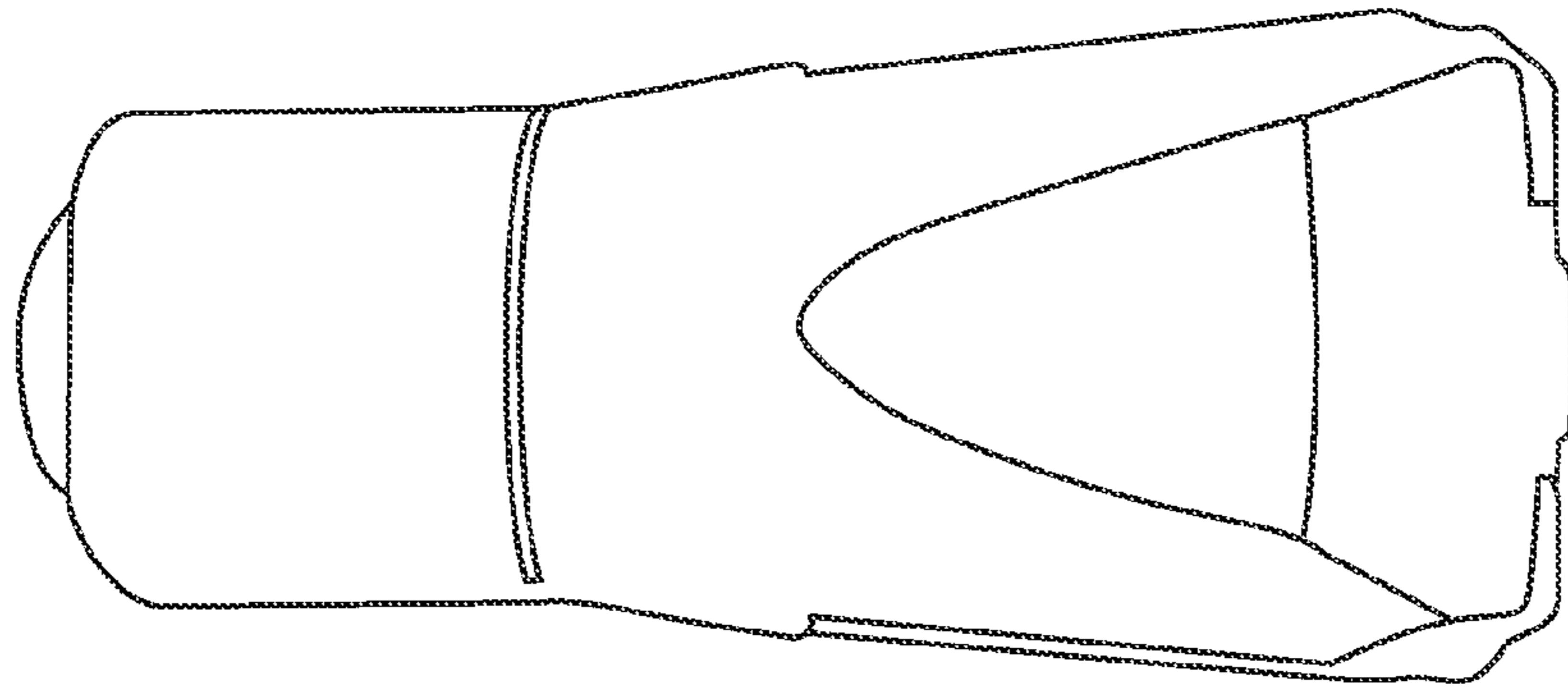


Fig. 5

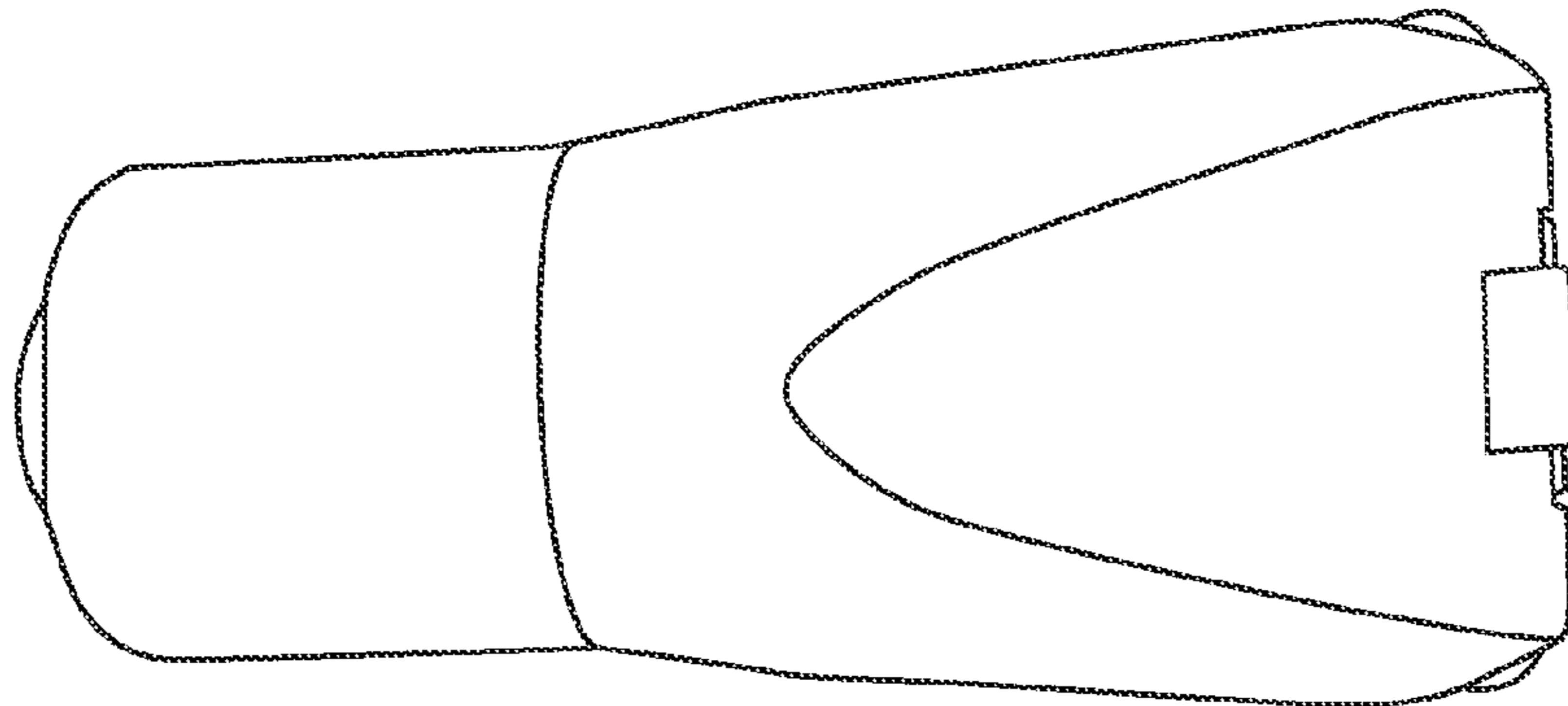


Fig. 6

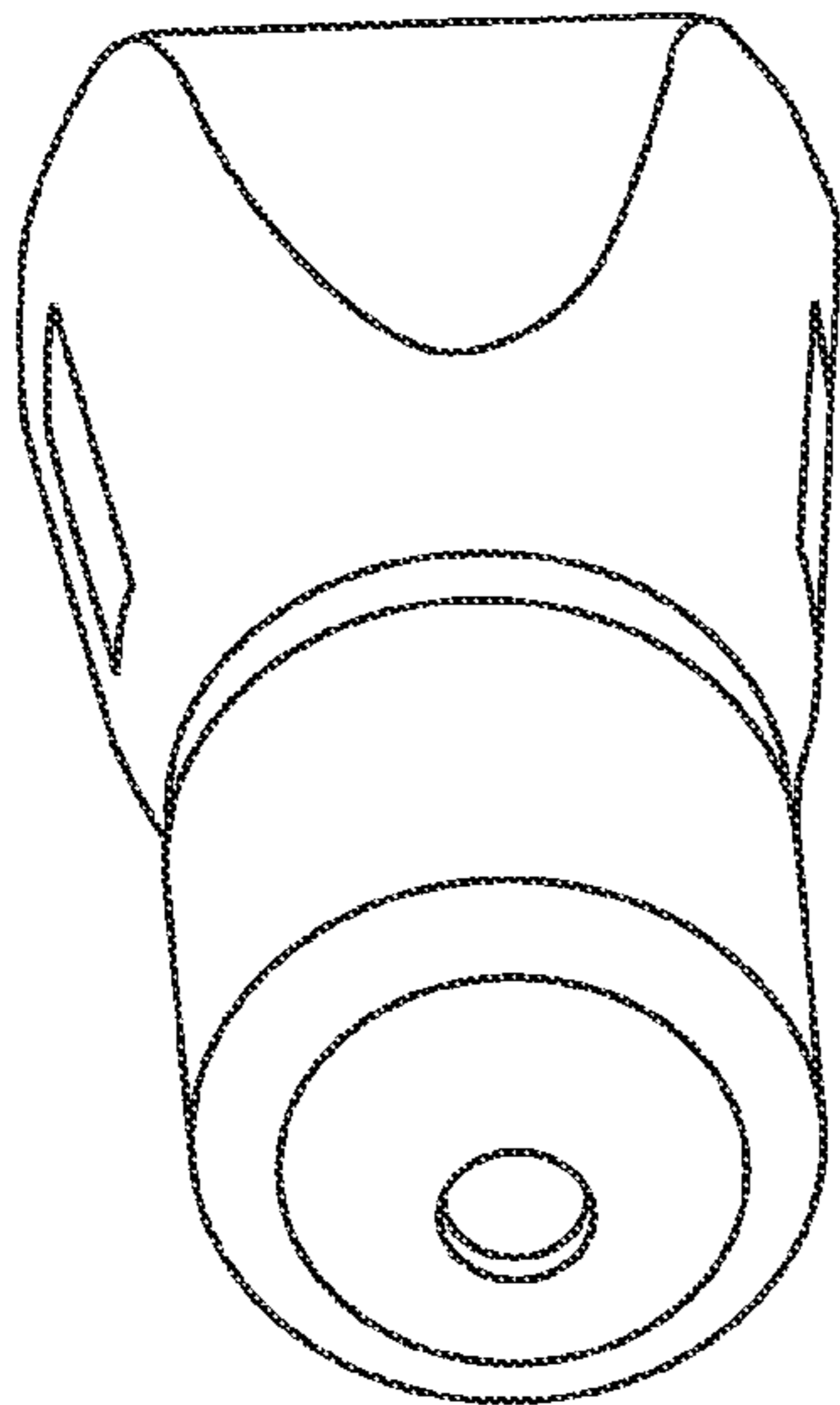


Fig. 7

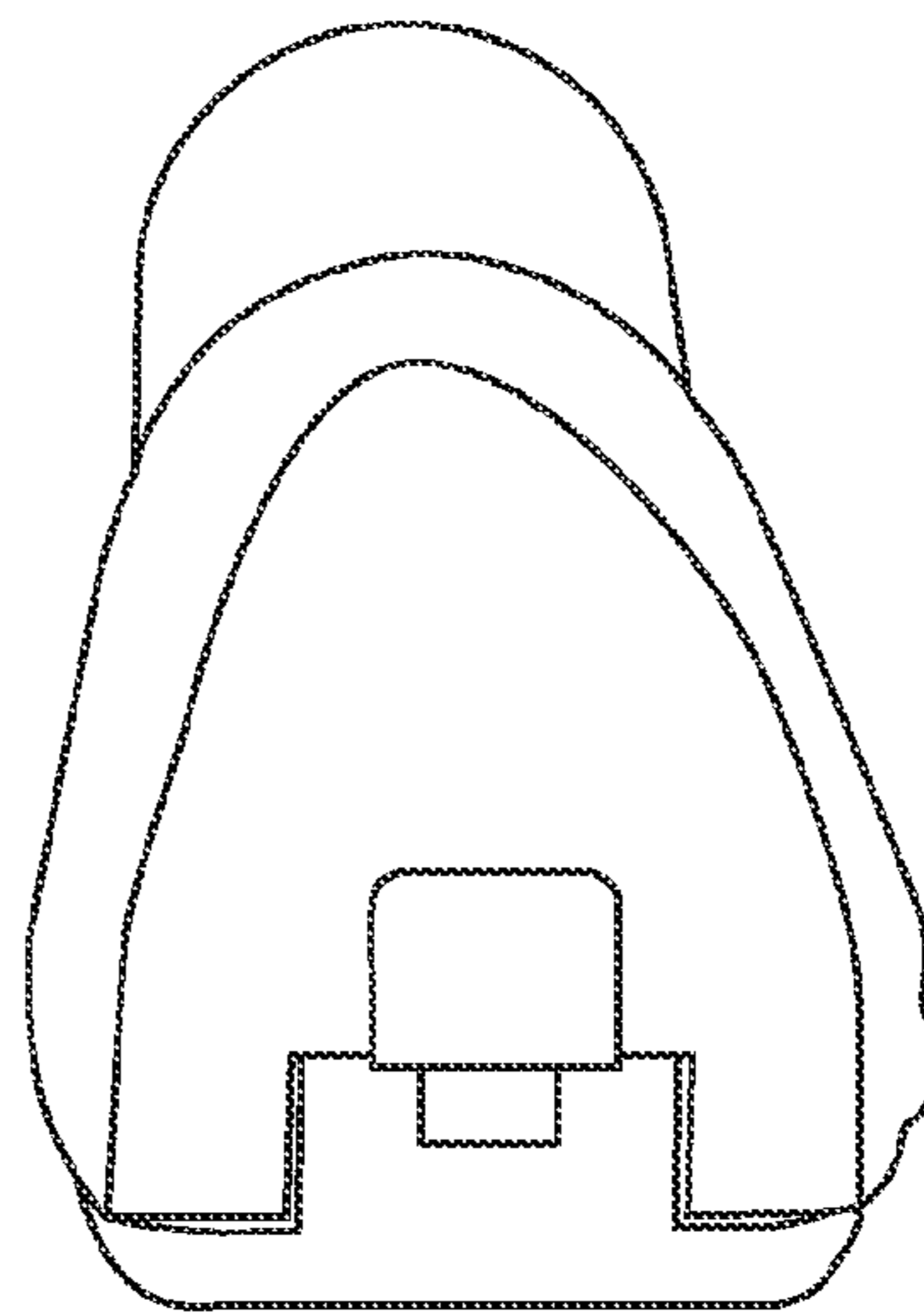


Fig. 8

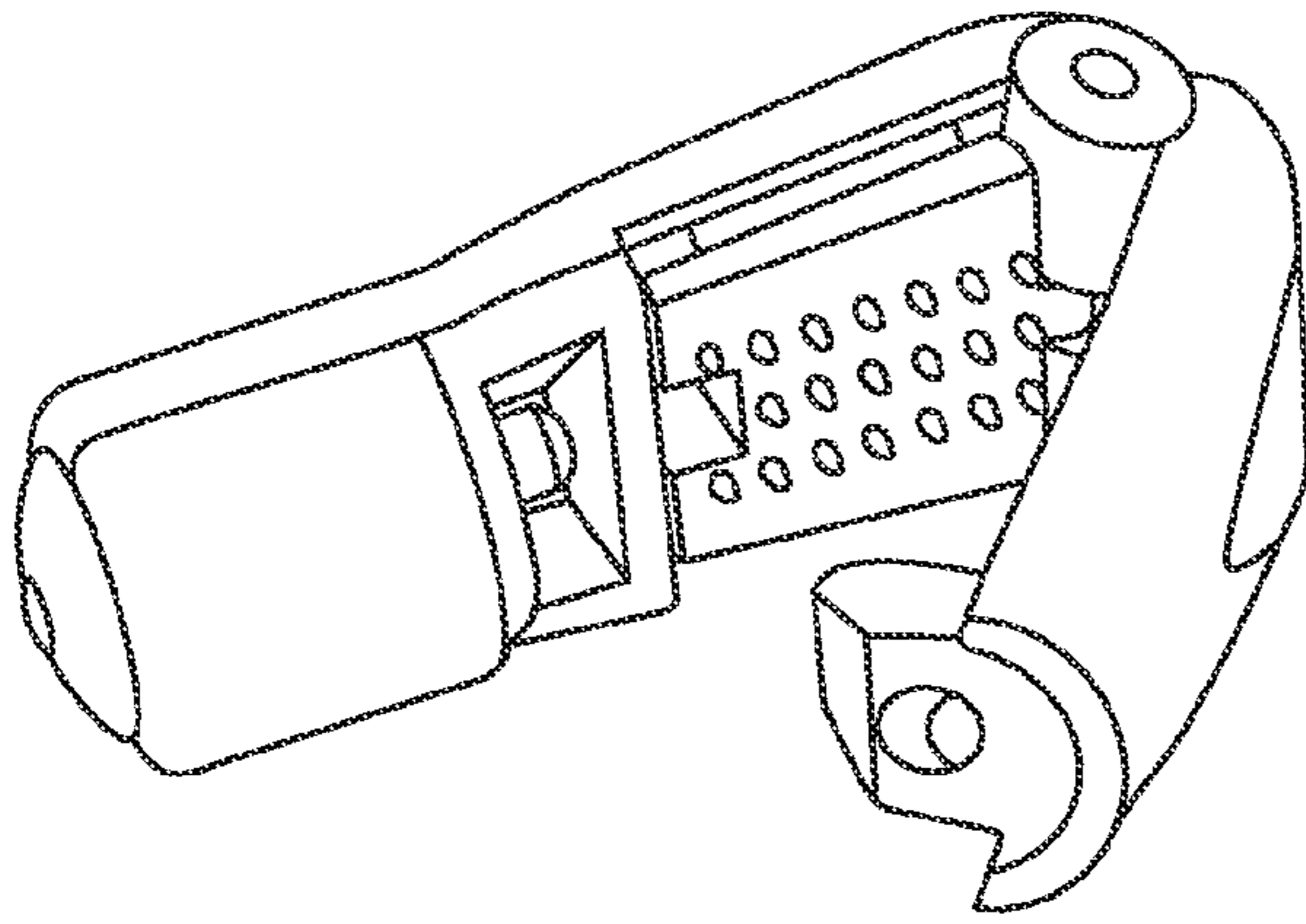


Fig. 9

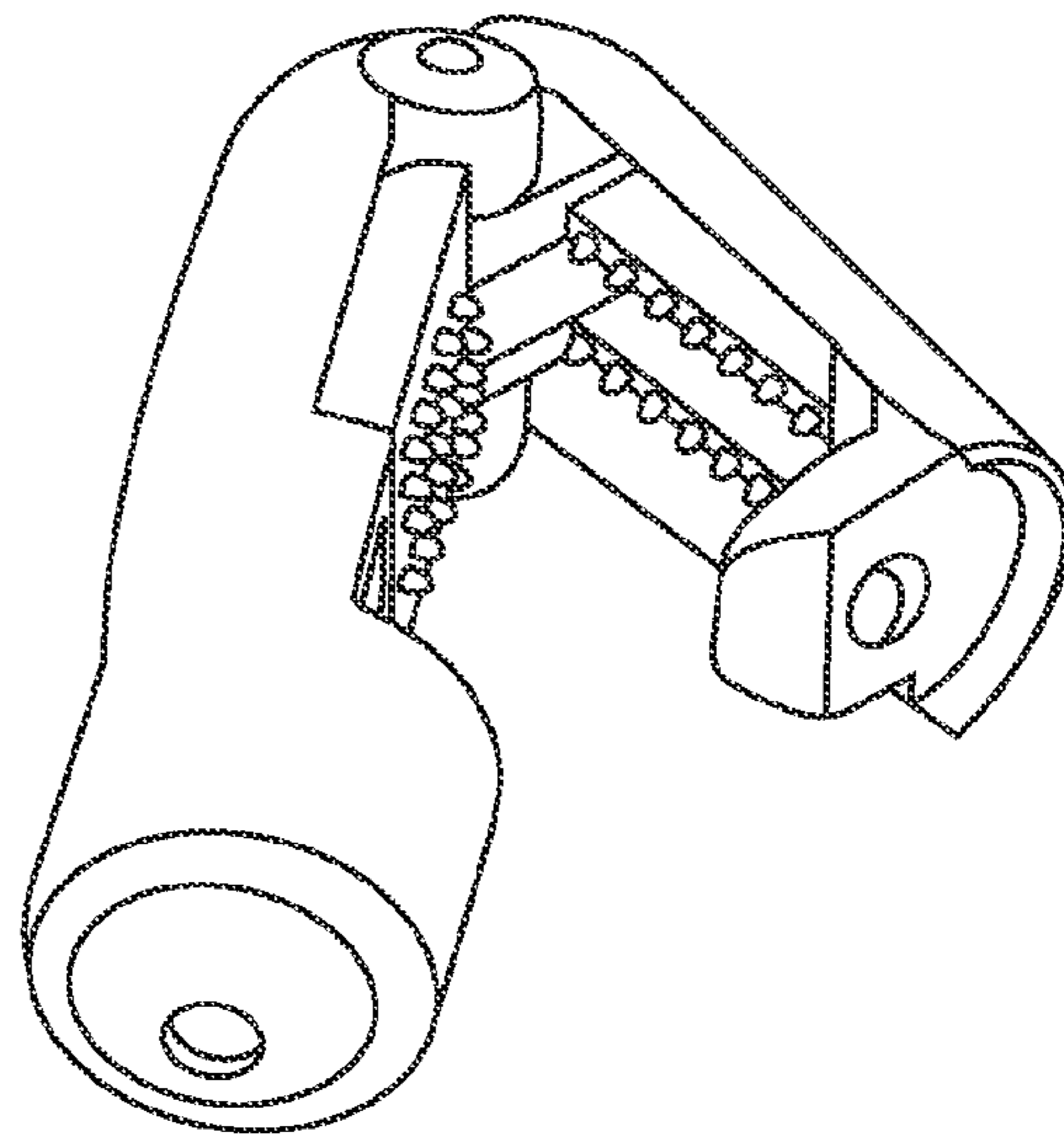


Fig. 10

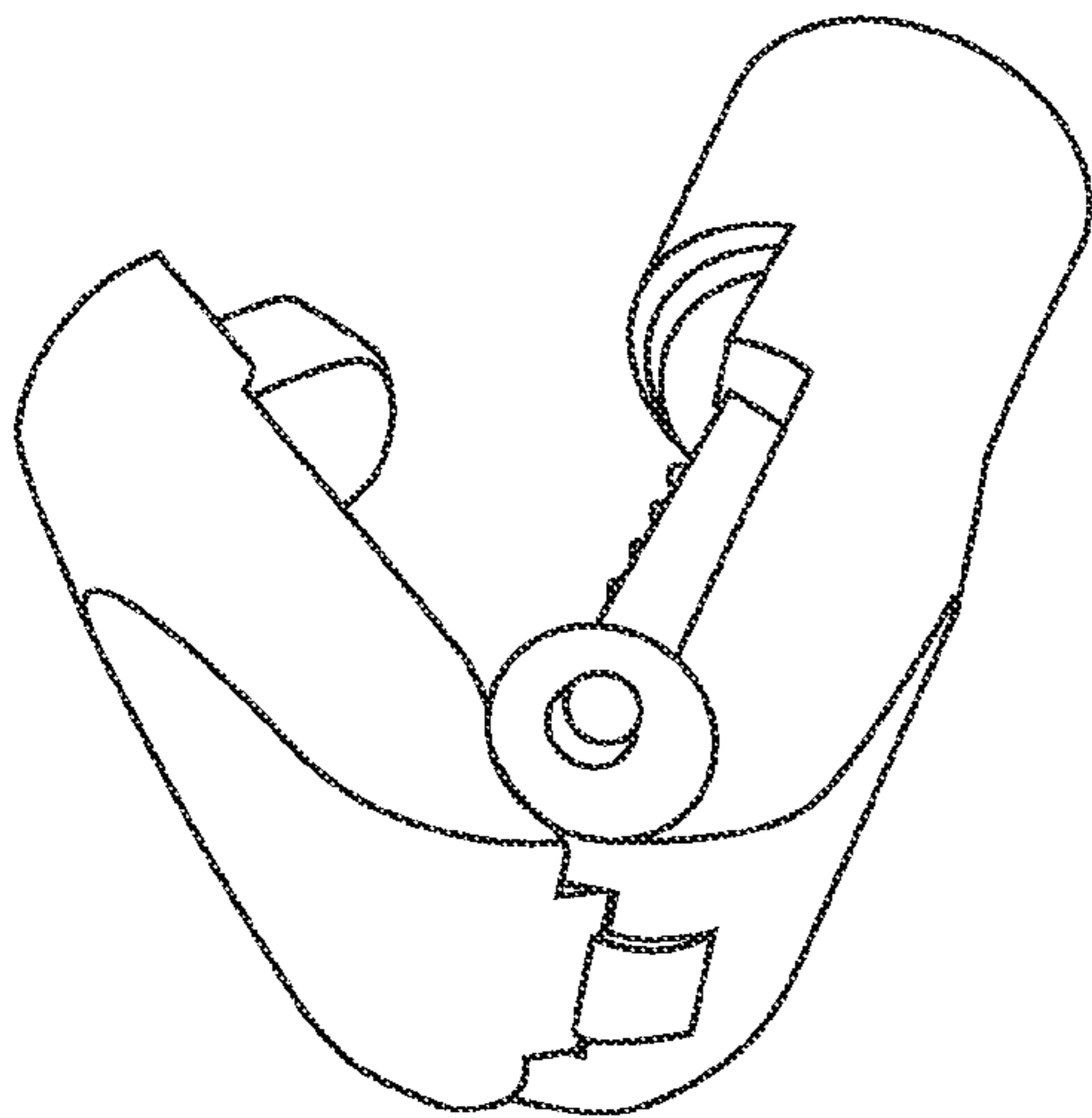


Fig. 11

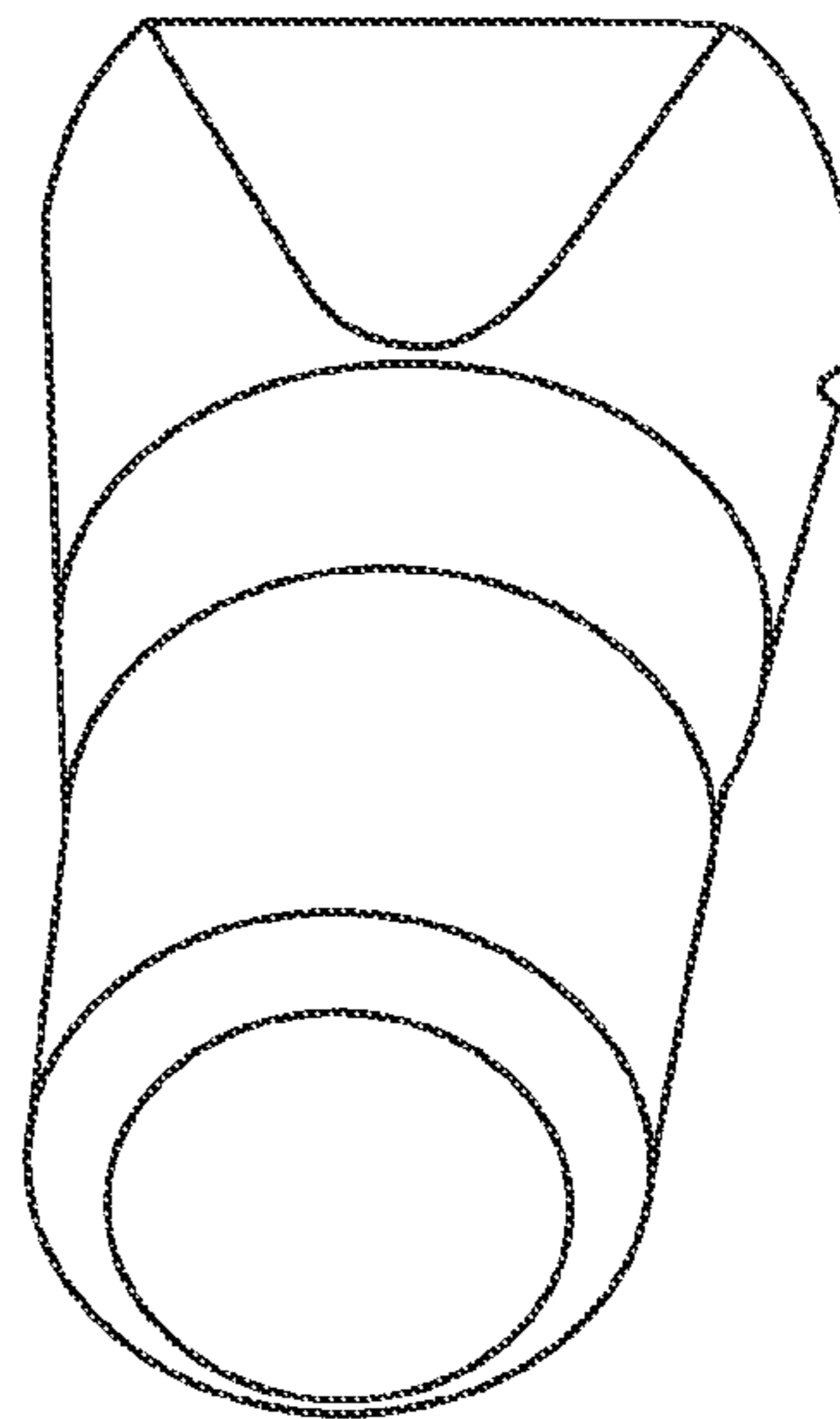


Fig. 12