



US00D588025S

(12) **United States Design Patent**
Belamich

(10) **Patent No.:** **US D588,025 S**
(45) **Date of Patent:** **** Mar. 10, 2009**

- (54) **WATCH**
- (75) Inventor: **Bruno Belamich**, Paris (FR)
- (73) Assignee: **Bell & Ross B. V.**, Zoetermeer (NL)
- (**) Term: **14 Years**
- (21) Appl. No.: **29/325,109**
- (22) Filed: **Sep. 25, 2008**
- (51) **LOC (9) Cl.** **10-02**
- (52) **U.S. Cl.** **D10/39**
- (58) **Field of Classification Search** D10/30-39,
D10/122-132; 368/276, 281, 282, 285, 80,
368/223, 232, 228, 233, 239
See application file for complete search history.

- D537,371 S * 2/2007 Belamich D10/39
- D547,224 S * 7/2007 Cramer D10/126
- D577,611 S * 9/2008 Lalo D10/32
- D578,412 S * 10/2008 Belamich D10/39

* cited by examiner

Primary Examiner—Lucy Lieberman

(74) *Attorney, Agent, or Firm*—Jeffer Mangels; Butler & Marmaro LLP

(57) **CLAIM**

The ornamental design for a watch, as shown and described.

DESCRIPTION

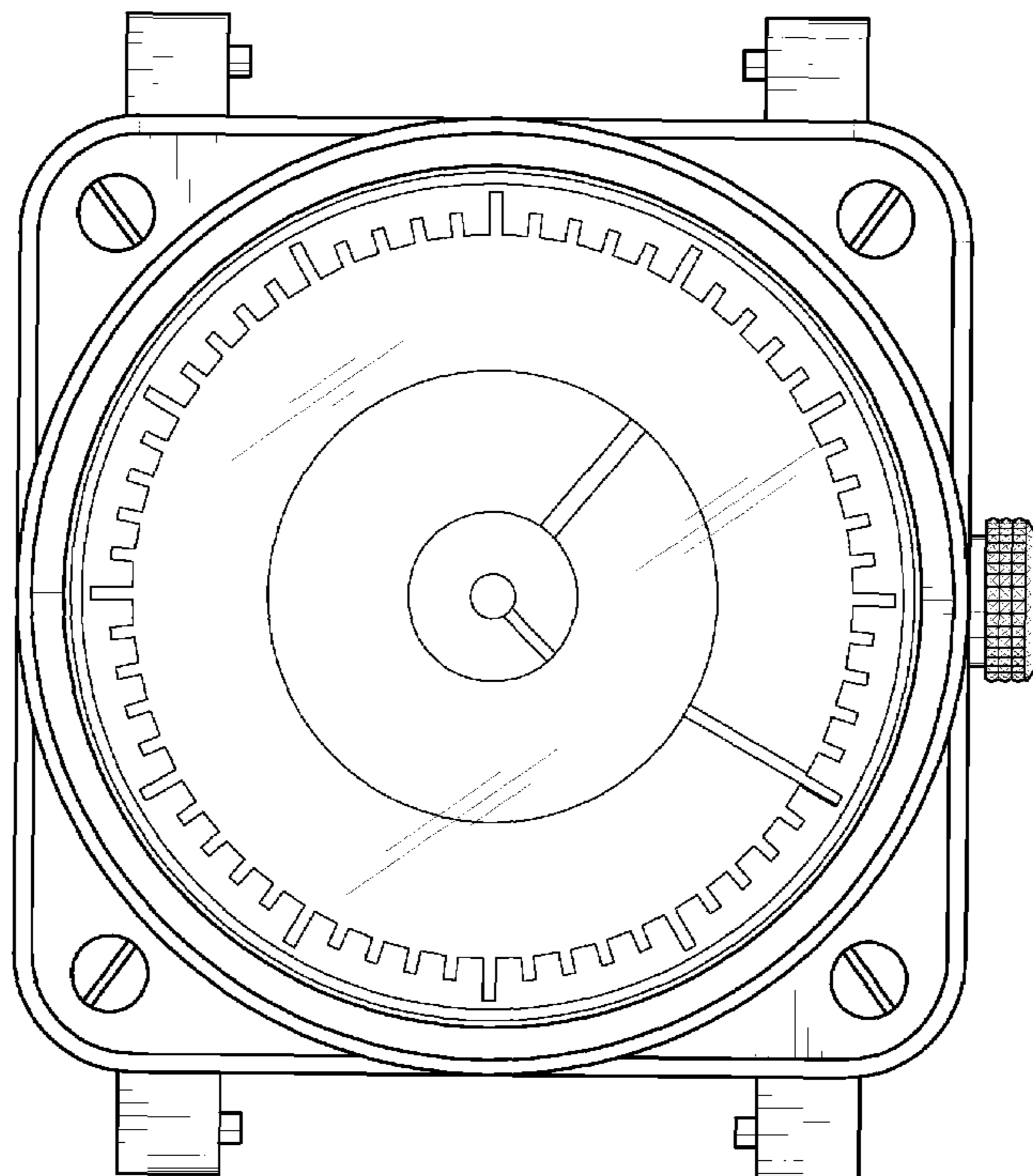
FIG. 1 is a perspective view of the present invention;
 FIG. 2 is a front elevational view of the present invention shown in FIG. 1;
 FIG. 3 is a right side elevational view of the present invention shown in FIG. 1;
 FIG. 4 is a left side elevational view of the present invention shown in FIG. 1;
 FIG. 5 is a top plan view of the present invention shown in FIG. 1;
 FIG. 6 is a bottom plan view of the present invention shown in FIG. 1; and,
 FIG. 7 is a rear elevational view of the present invention shown in FIG. 1.

(56) **References Cited**

U.S. PATENT DOCUMENTS

- 1,475,800 A * 11/1923 Creasy 368/233
- D202,061 S * 8/1965 Montese-Caruso D10/38
- 3,395,531 A * 8/1968 Caprara 368/291
- 4,218,873 A * 8/1980 Lang 368/281
- D257,963 S * 1/1981 Sticker D10/126
- D317,871 S * 7/1991 Applegate, Jr. D10/30
- D351,799 S * 10/1994 Bulgari D10/39
- D360,593 S * 7/1995 McLaughlin D10/39
- D473,802 S * 4/2003 Berliat D10/39
- 6,587,400 B1 * 7/2003 Line 368/88
- D496,589 S * 9/2004 Perrenoud D10/30
- D531,524 S * 11/2006 Behling D10/38

1 Claim, 5 Drawing Sheets



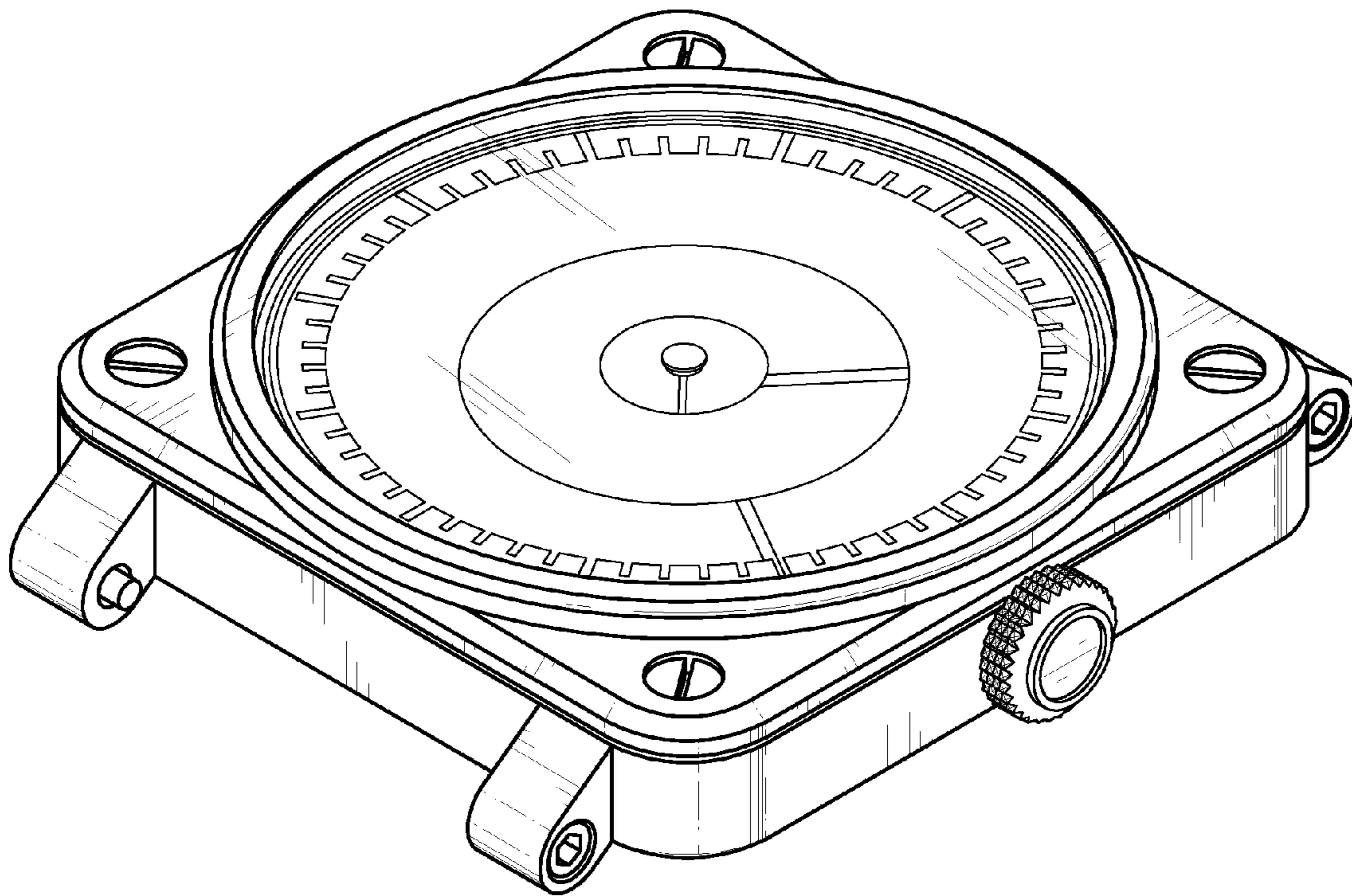


FIG. 1

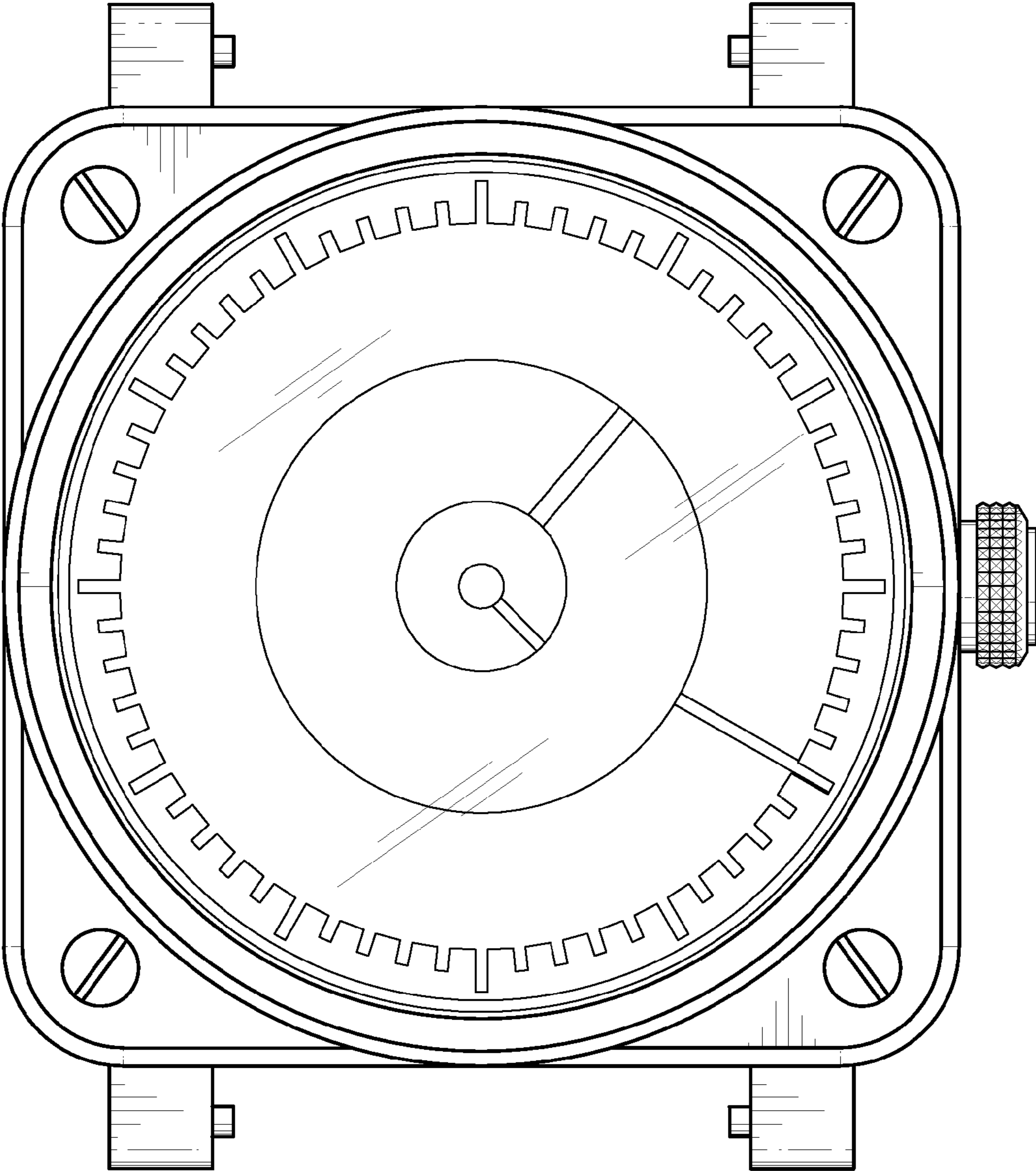


FIG. 2

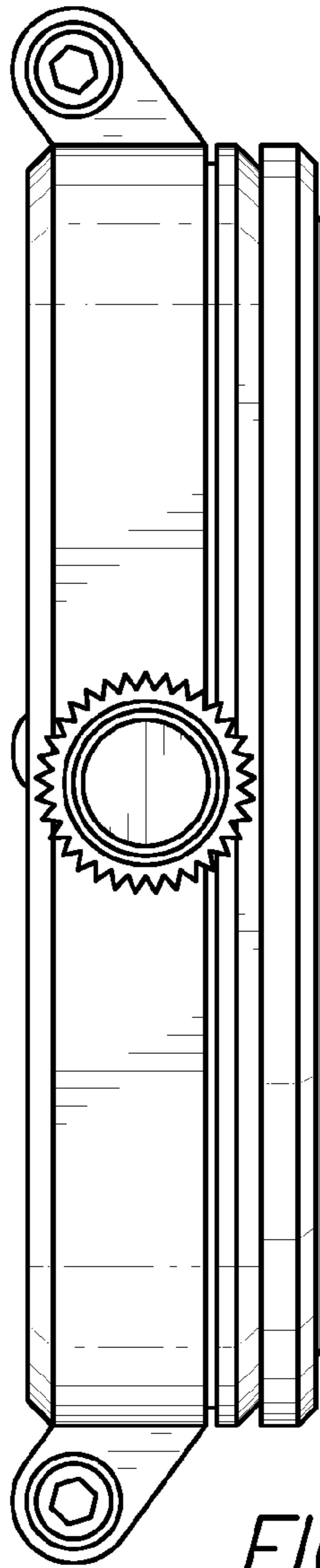


FIG. 3

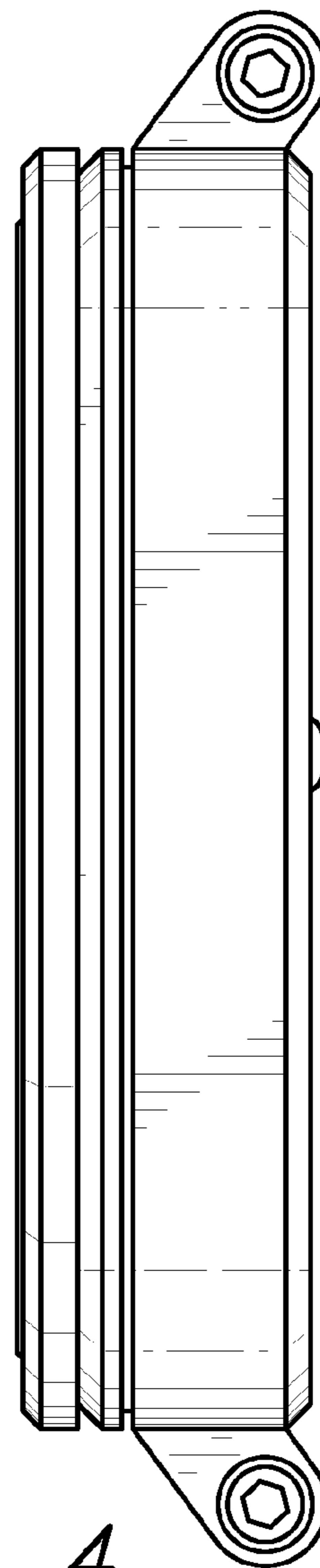


FIG. 4

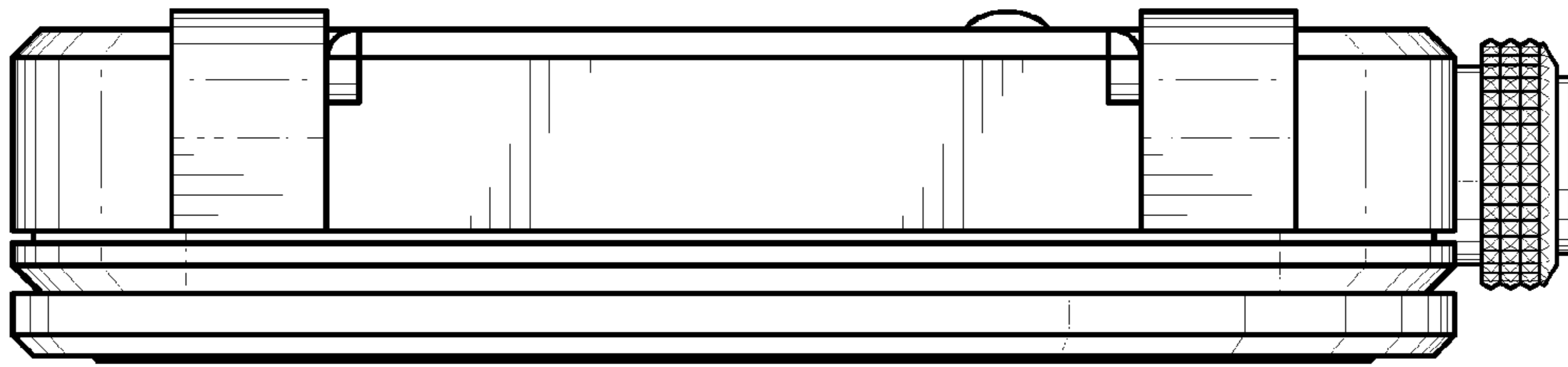


FIG. 5

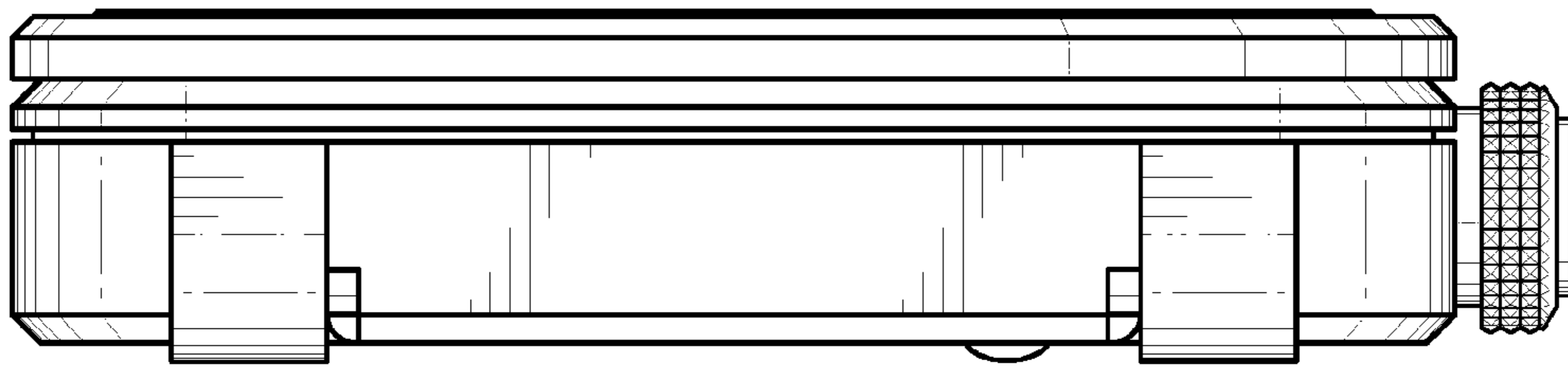


FIG. 6

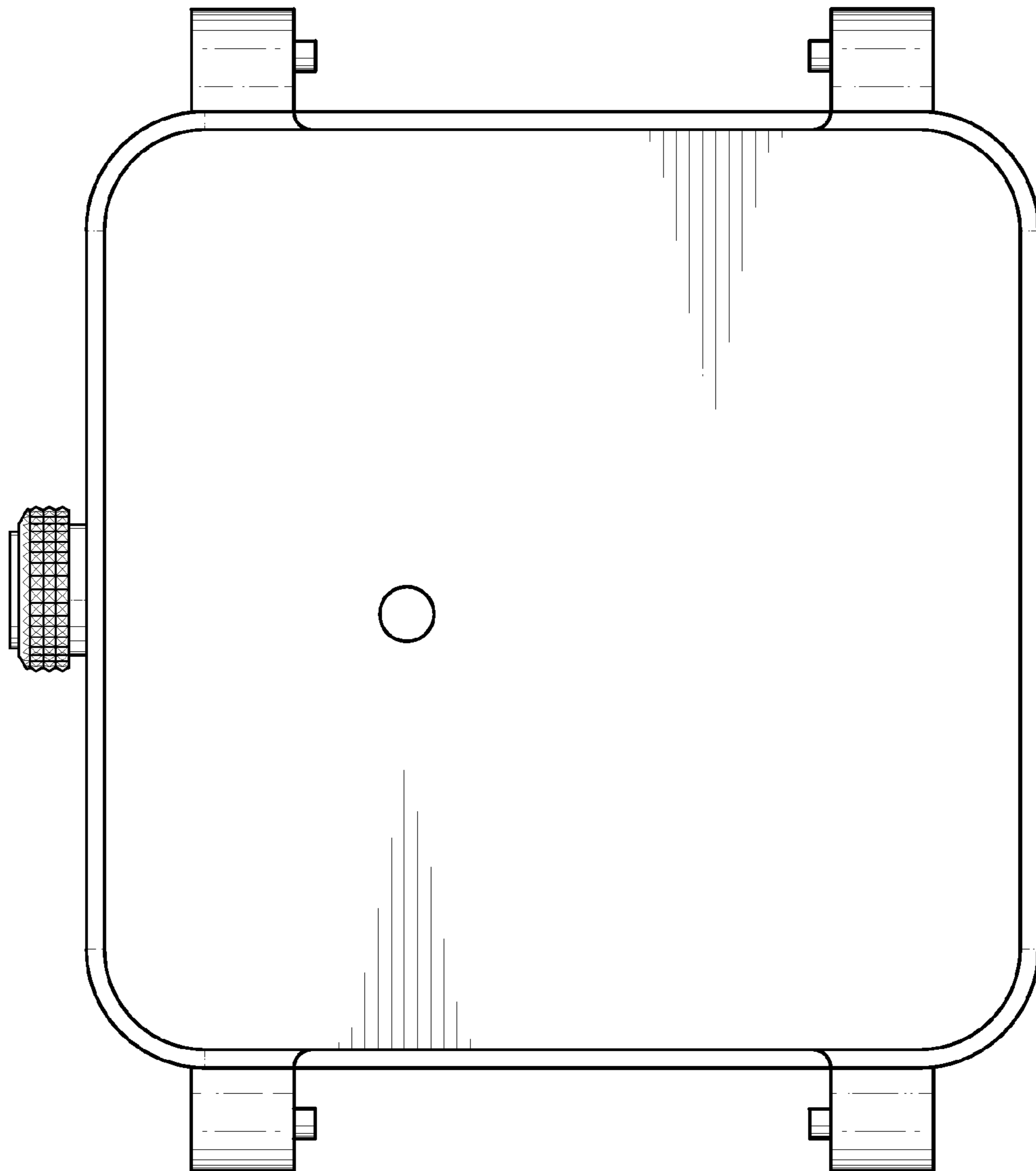


FIG. 7