



US00D588024S

(12) **United States Design Patent**  
**Binggeli**

(10) **Patent No.:** **US D588,024 S**  
(45) **Date of Patent:** **\*\* Mar. 10, 2009**

(54) **WRISTWATCH**

- (75) Inventor: **Jacques Binggeli**, Neuchatel (CH)
- (73) Assignee: **Levendi Jewelers**, Sydney, NSW (AU)
- (\*\*) Term: **14 Years**
- (21) Appl. No.: **29/319,917**
- (22) Filed: **Jun. 17, 2008**

- (51) **LOC (9) Cl.** ..... **10-02**
- (52) **U.S. Cl.** ..... **D10/38**
- (58) **Field of Classification Search** ..... D10/30-39;  
368/276, 281, 282, 285, 308, 319, 296  
See application file for complete search history.

(56) **References Cited**

U.S. PATENT DOCUMENTS

2,361,563	A *	10/1944	Pellaton	.....	368/80
D186,180	S *	9/1959	Diamond	.....	D10/39
3,427,800	A *	2/1969	Blum	.....	368/223
4,766,579	A *	8/1988	Sporring	.....	368/190
5,467,325	A *	11/1995	Juillerat	.....	368/276
D365,526	S *	12/1995	Gardner	.....	D10/39
6,456,569	B1 *	9/2002	Stauffer	.....	368/236
D507,496	S *	7/2005	Tang	.....	D10/30
D508,416	S *	8/2005	Tang	.....	D10/30
D538,182	S *	3/2007	Lalo	.....	D10/32
D551,095	S *	9/2007	Monachon	.....	D10/32
D573,486	S *	7/2008	Sanz	.....	D10/38

\* cited by examiner

*Primary Examiner*—Lucy Lieberman  
(74) *Attorney, Agent, or Firm*—Brinks Hofer Gilson & Lione;  
Trevor K. Copeland

(57) **CLAIM**

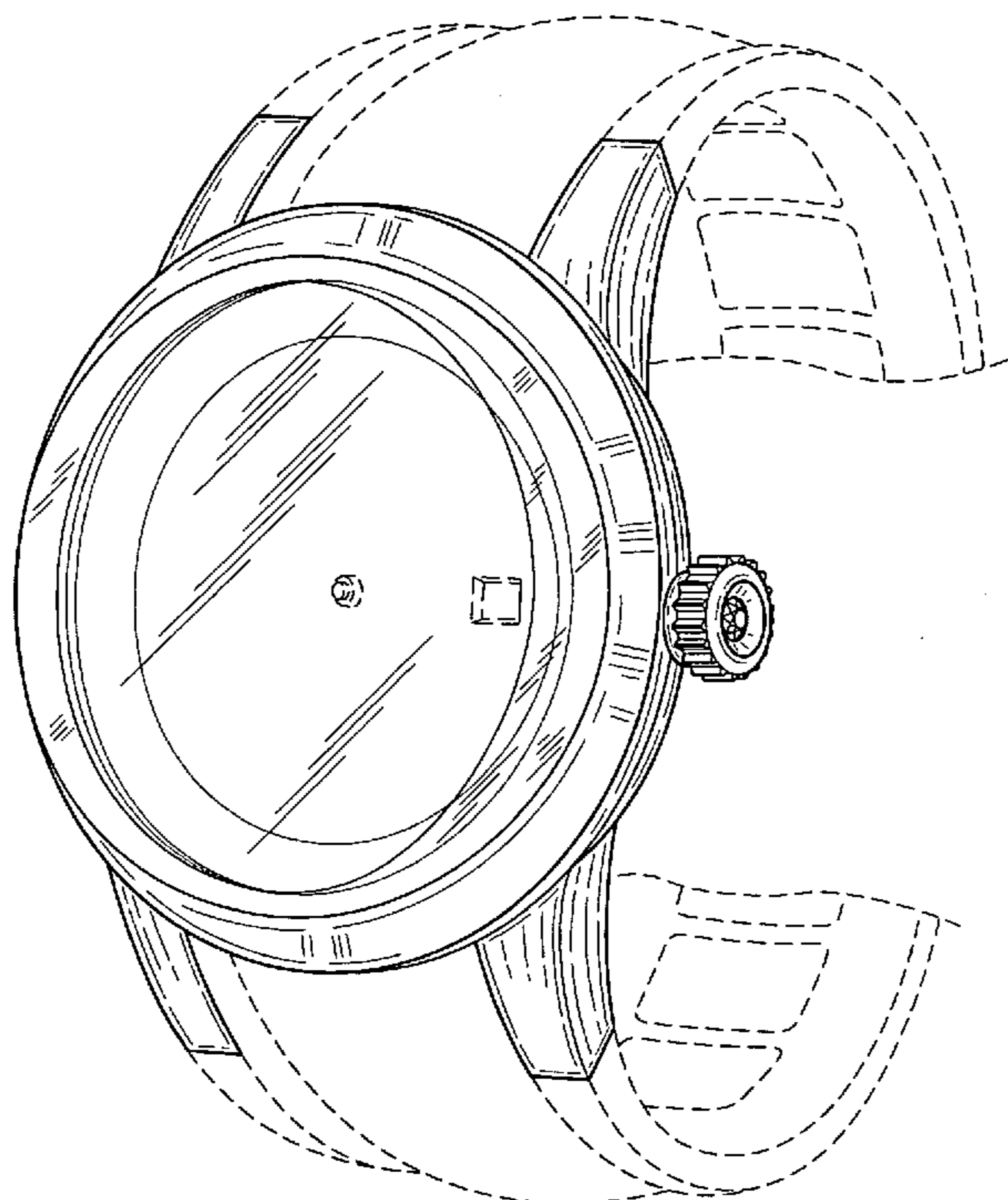
The ornamental design for a wristwatch, as shown and described.

**DESCRIPTION**

- FIG. 1 is a first front perspective view of a wristwatch of the present invention;
- FIG. 2 is a second front perspective view thereof;
- FIG. 3 is a front elevation thereof;
- FIG. 4 is a rear elevation thereof, omitting the unclaimed environment of a watchband solely for the sake of clarity of view;
- FIG. 5 is a right side elevation view thereof;
- FIG. 6 is a left side elevation view thereof;
- FIG. 7 is a bottom view thereof;
- FIG. 8 is a top view thereof; and,
- FIG. 9 is a rear perspective view thereof.

The ornamental design which is claimed is shown in solid lines in the drawings. Any broken or phantom lines in the drawings are for illustrative purposes only and form no part of the claimed design.

**1 Claim, 9 Drawing Sheets**



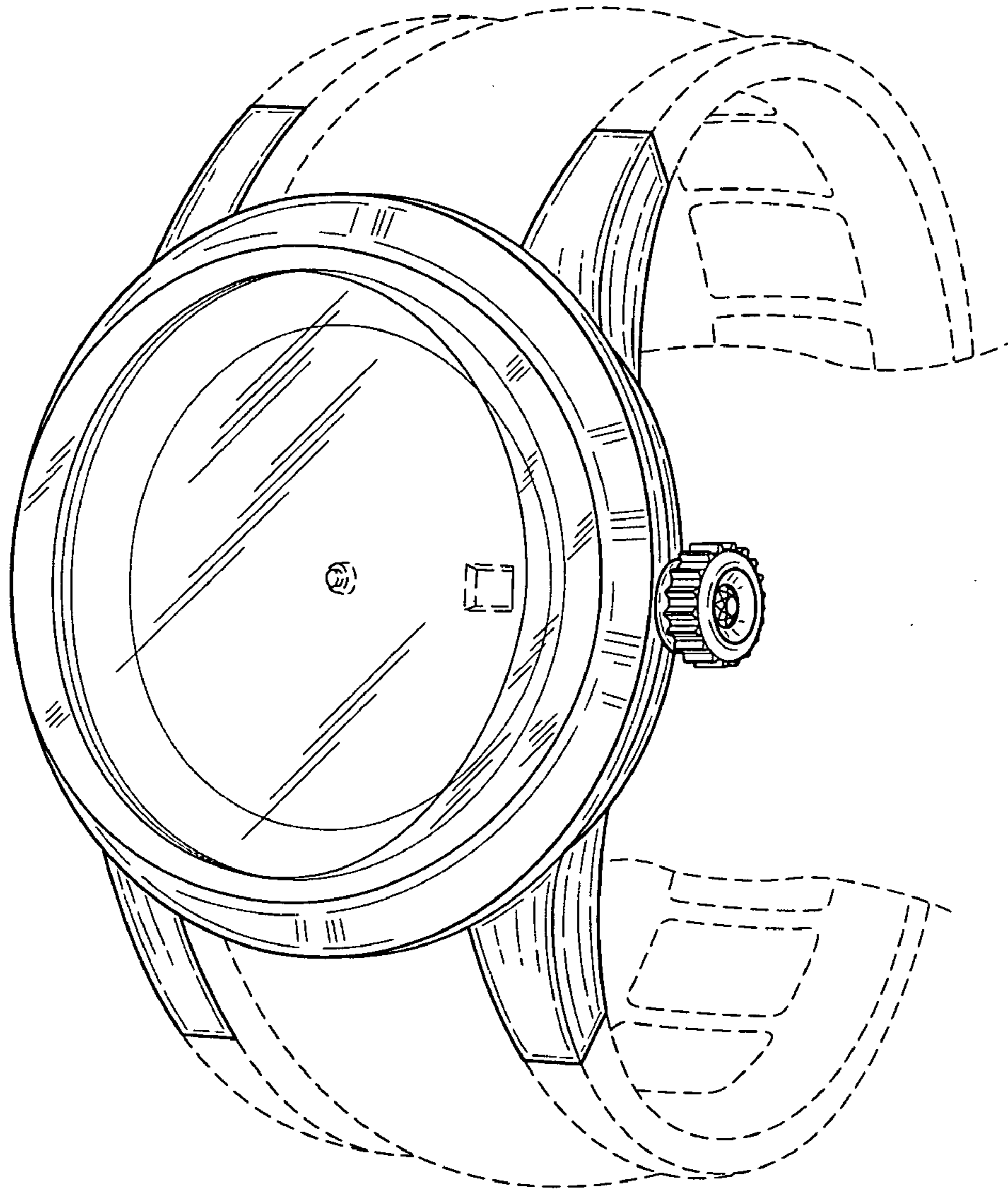


Fig. 1

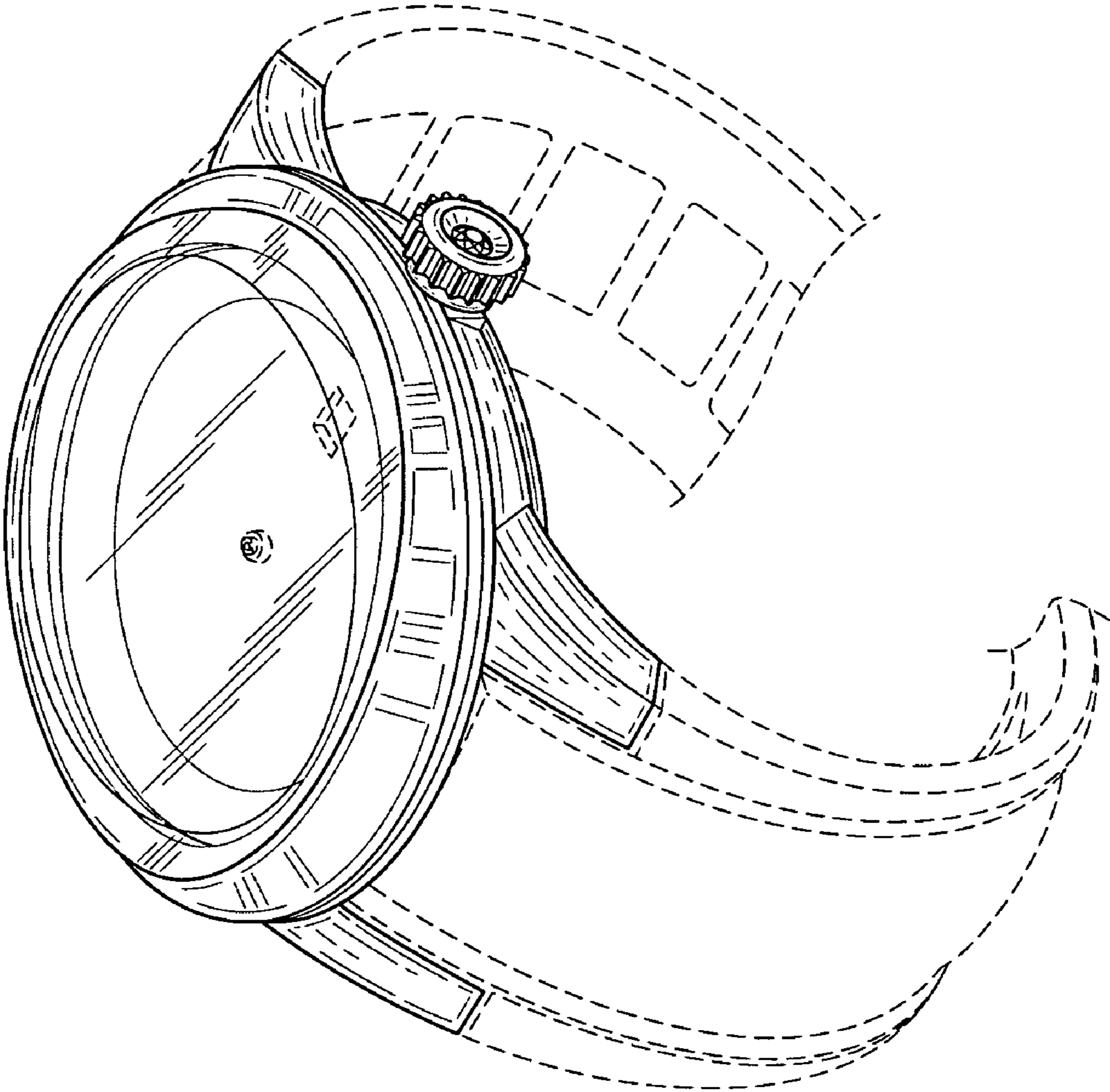


Fig. 2

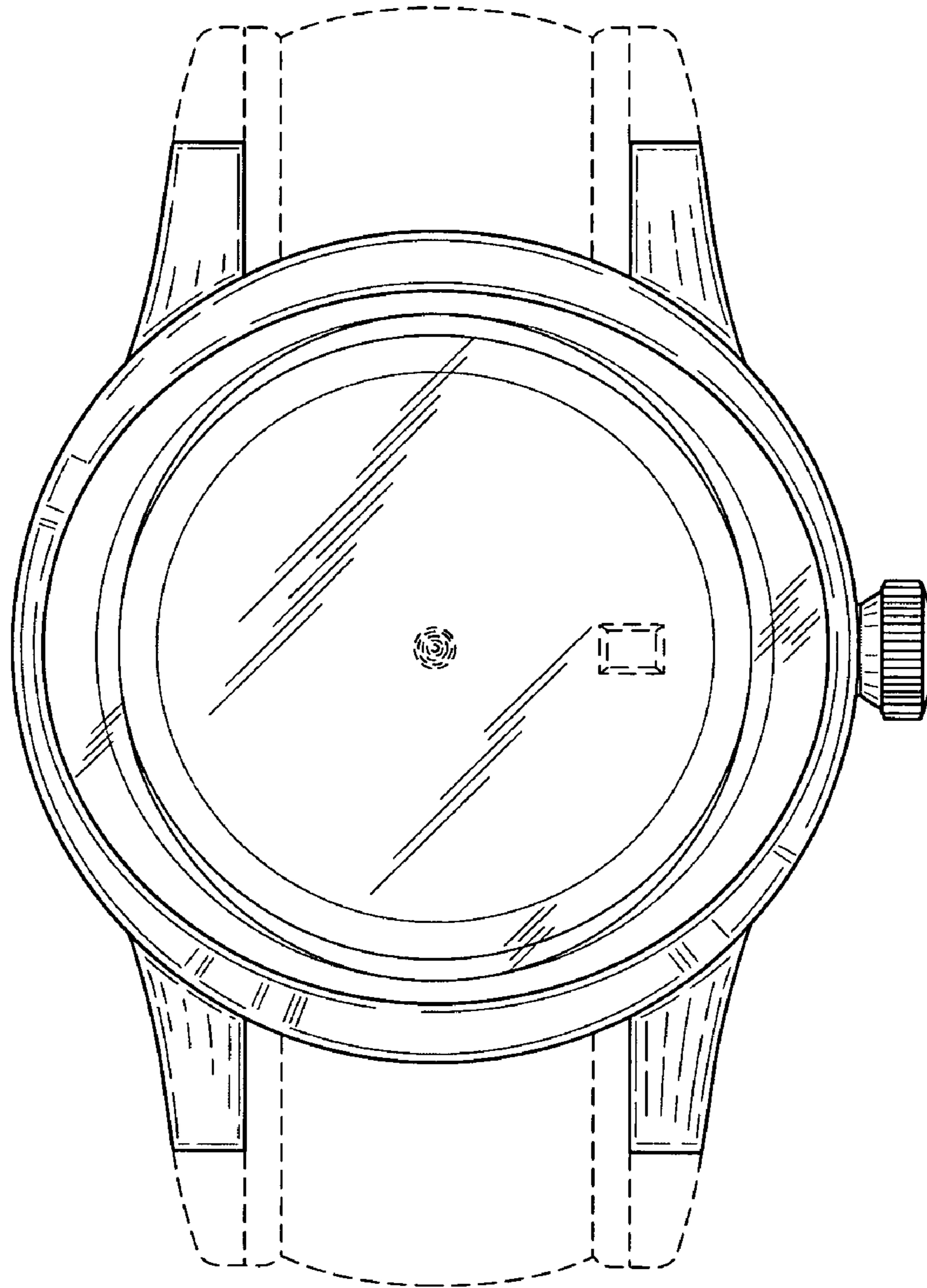


Fig. 3



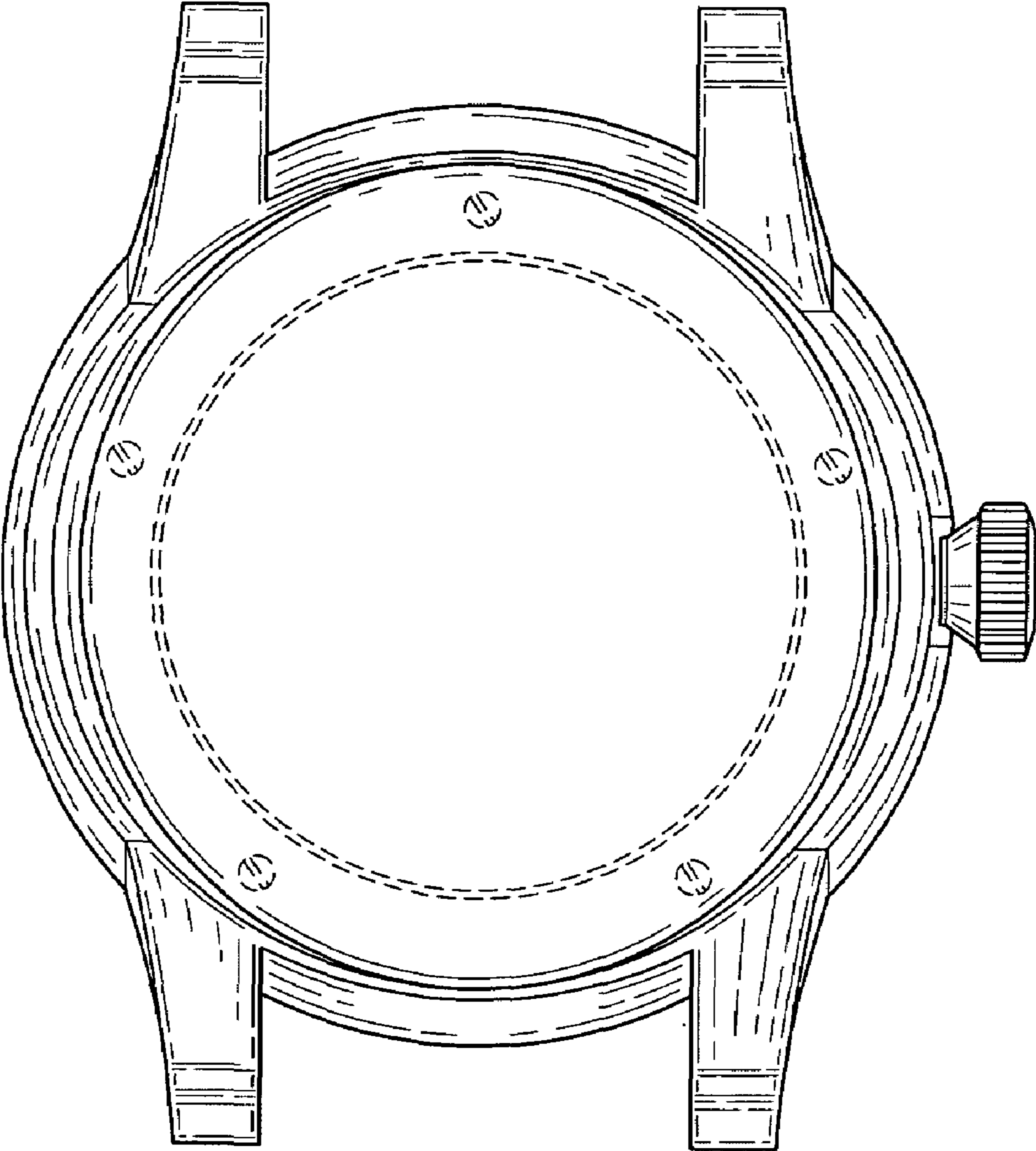


Fig. 4

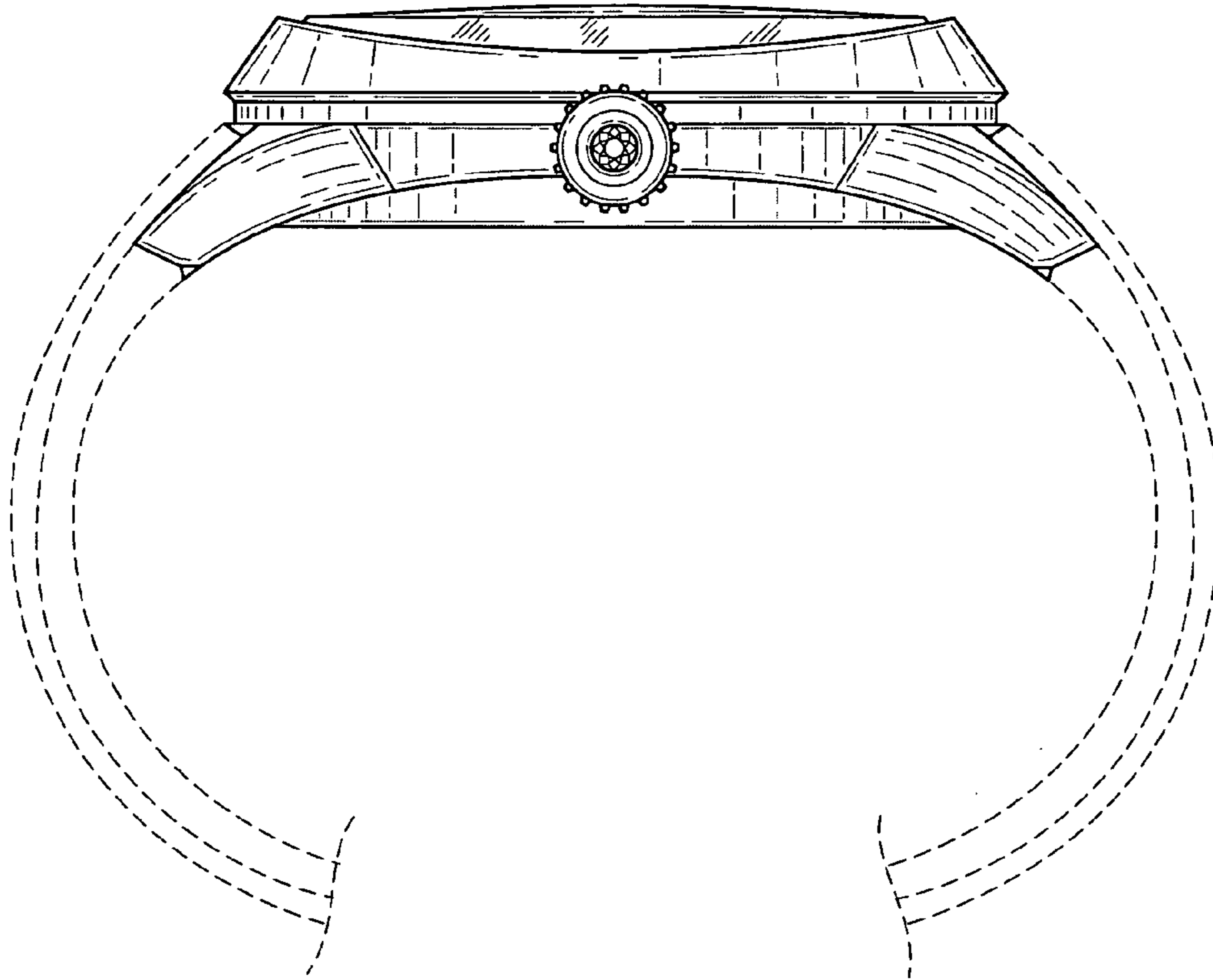


Fig. 5

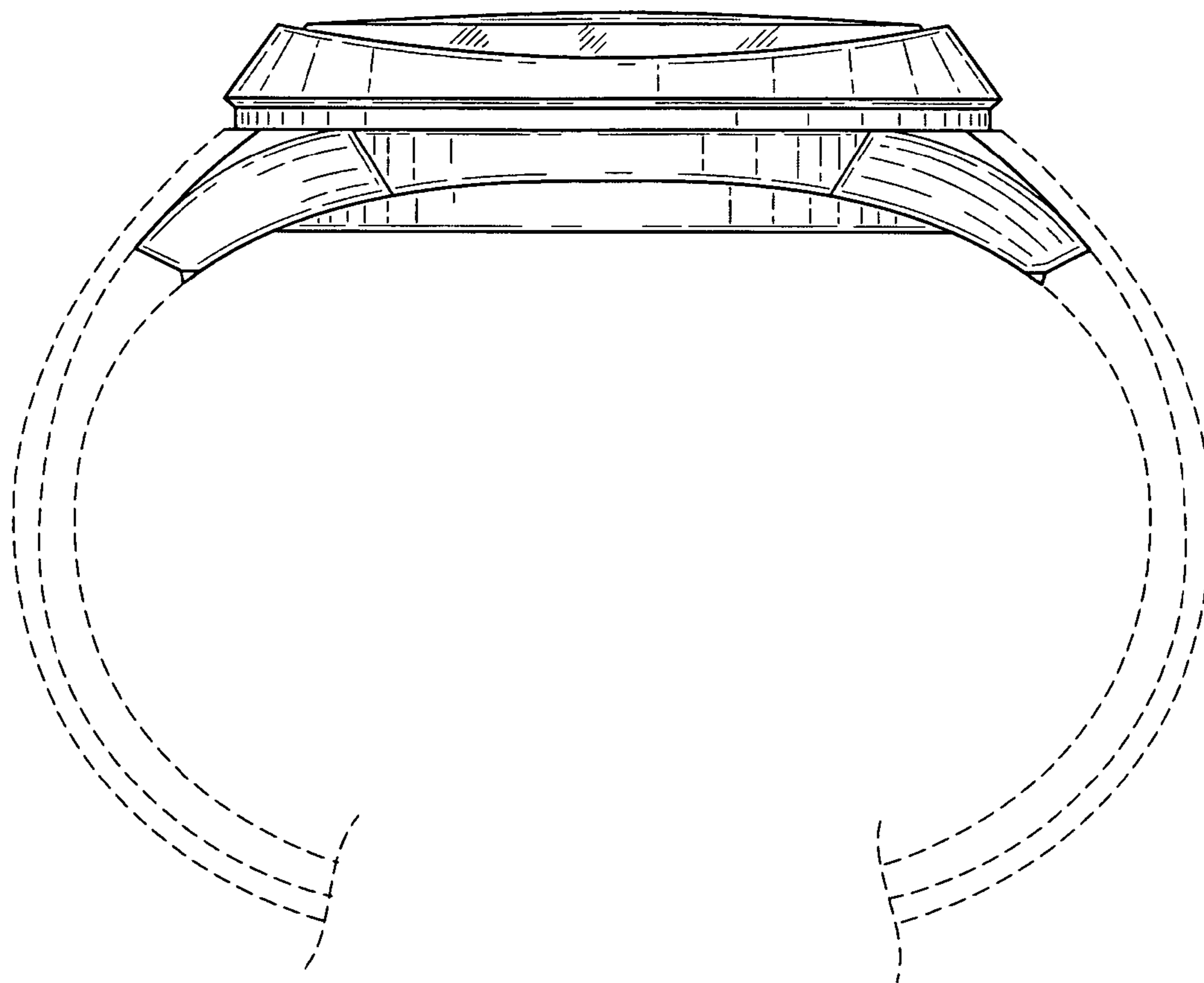


Fig. 6

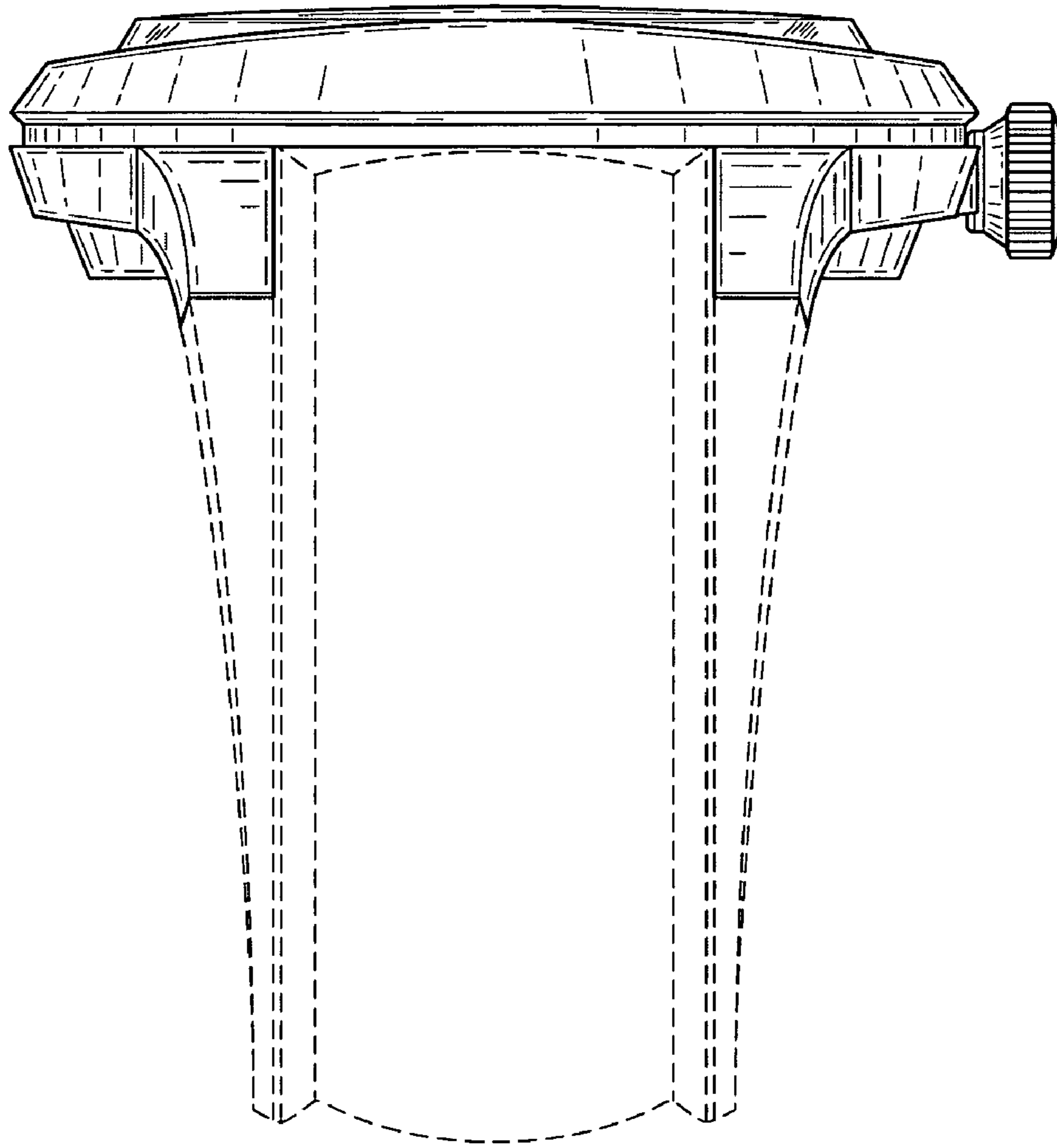


Fig. 7



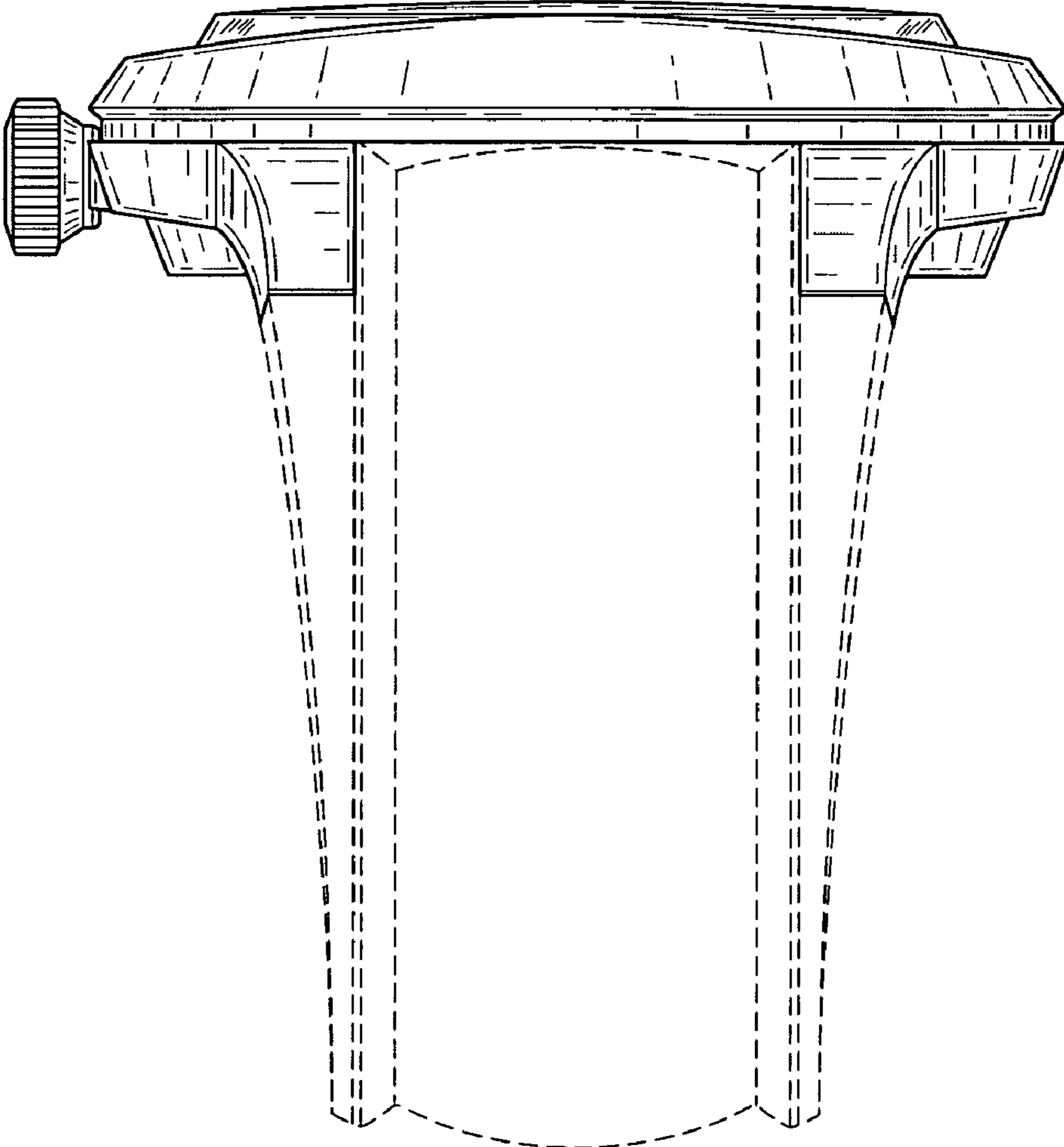


Fig. 8

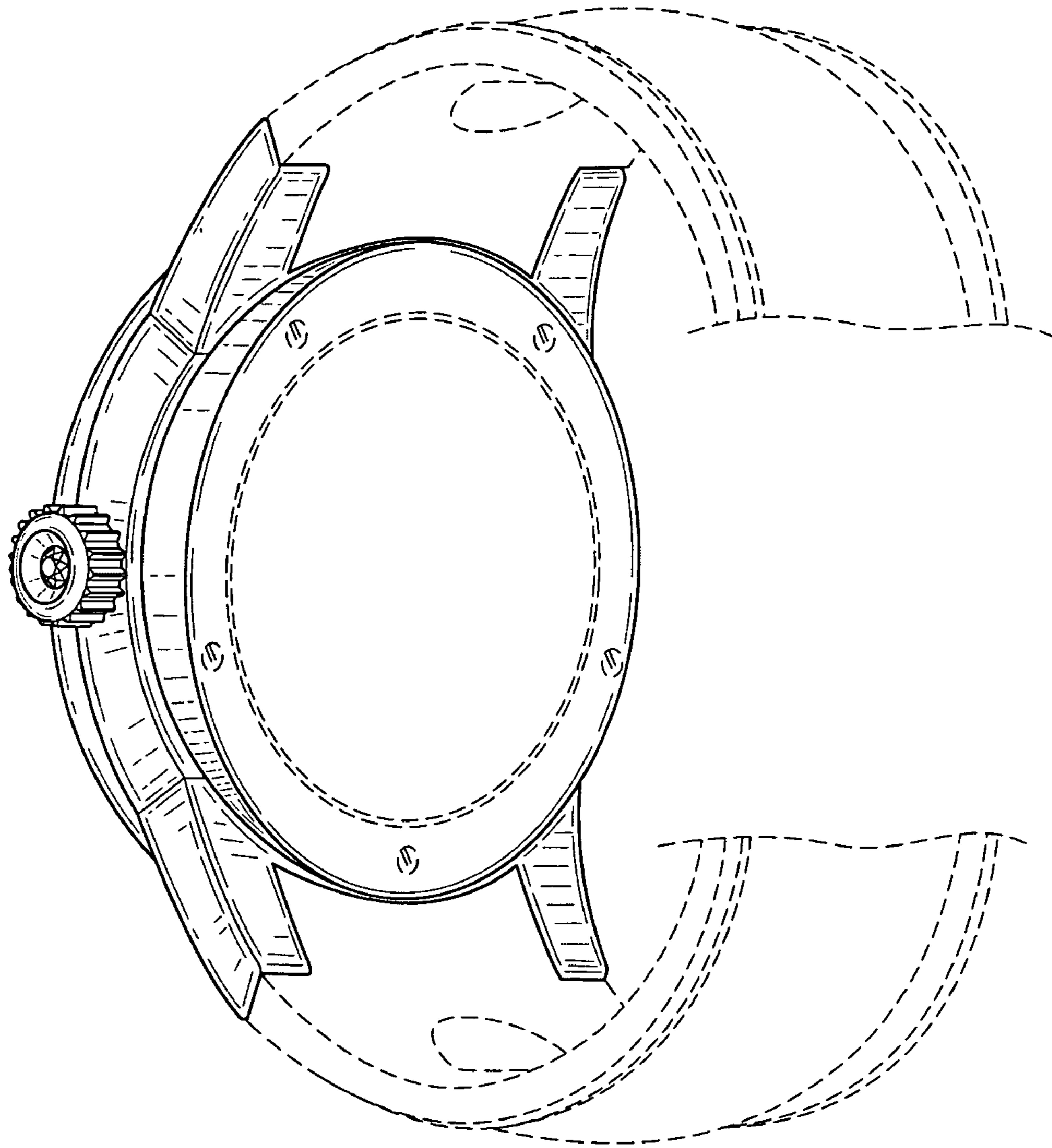


Fig. 9