



US00D588011S

(12) **United States Design Patent**
Shimizu

(10) **Patent No.:** **US D588,011 S**
(45) **Date of Patent:** **** Mar. 10, 2009**

- (54) **JAR**
- (75) Inventor: **Kohei Shimizu**, Shibuya-ku (JP)
- (73) Assignee: **The Procter & Gamble Company**,
Cincinnati, OH (US)
- (**) Term: **14 Years**
- (21) Appl. No.: **29/288,363**
- (22) Filed: **Jun. 8, 2007**
- (51) **LOC (9) Cl.** **09-01**
- (52) **U.S. Cl.** **D9/552; D9/529; D9/454;**
D9/504
- (58) **Field of Classification Search** D9/516,
D9/529, 537, 539, 540, 542, 543, 545, 549,
D9/551, 552, 556, 557, 564, 565, 569, 570,
D9/574, 575; 215/381-385, 396, 398
See application file for complete search history.

- D525,136 S * 7/2006 Bakic D9/522
- D531,041 S * 10/2006 Sauer et al. D9/529
- D539,655 S * 4/2007 Kipperman et al. D9/529
- D541,657 S * 5/2007 Mongeon et al. D9/516
- D543,857 S * 6/2007 Shu D9/529
- D546,188 S * 7/2007 Penfold et al. D9/529
- D546,694 S * 7/2007 Penfold et al. D9/529
- D547,661 S * 7/2007 Blasko et al. D9/529
- D558,579 S * 1/2008 Blasko et al. D9/529

* cited by examiner

Primary Examiner—Stella M Reid

Assistant Examiner—Elizabeth J Oswecki

(74) *Attorney, Agent, or Firm*—Linda M. Sivik; Marianne Dressman; Tara M. Rosnell

(57) **CLAIM**

The ornamental design for a jar, as shown and described.

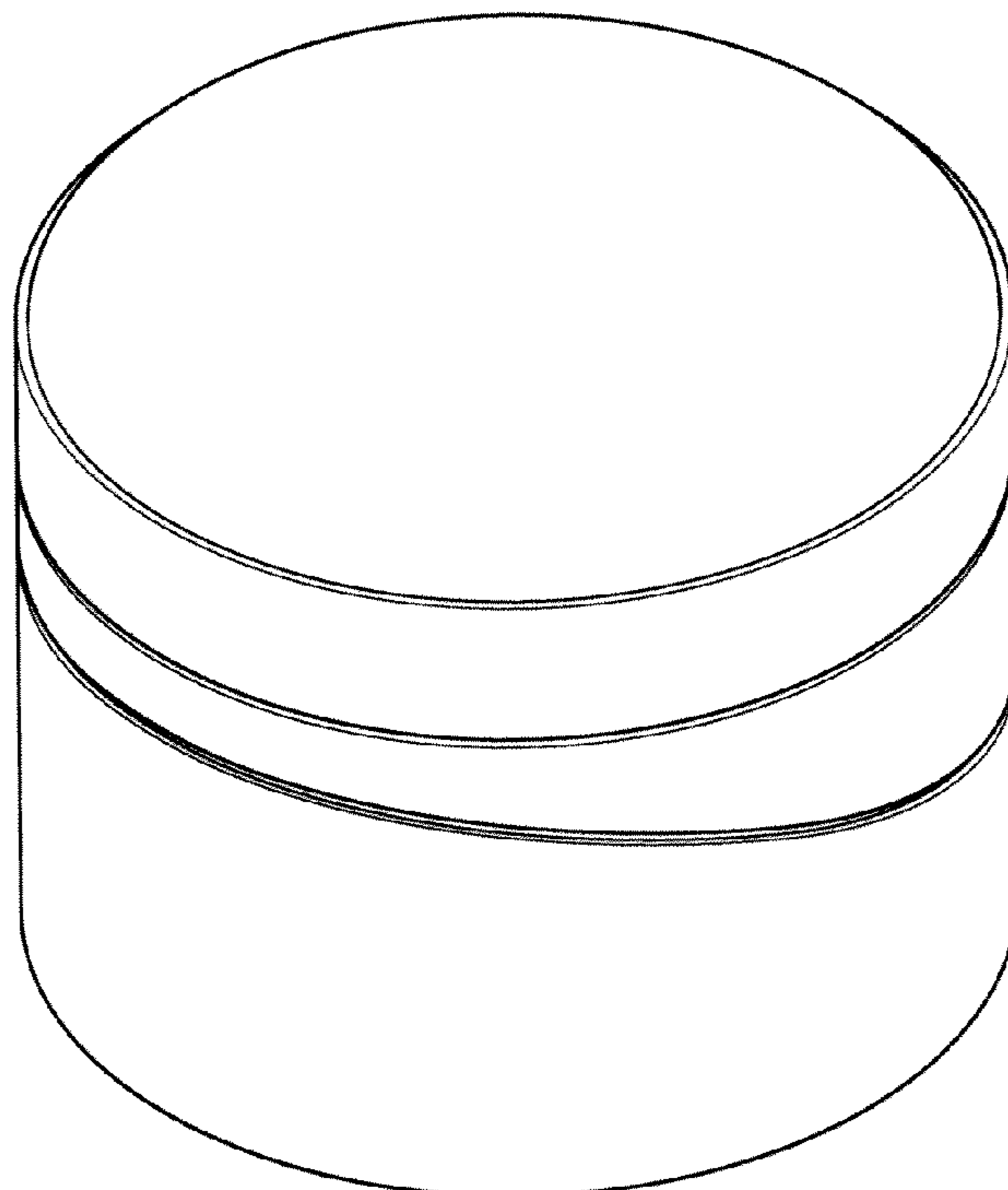
DESCRIPTION

FIG. 1 is a perspective view of a jar showing my new design;
 FIG. 2 is a front view thereof;
 FIG. 3 is a back view thereof;
 FIG. 4 is a top plan view thereof;
 FIG. 5 is a bottom plan view thereof;
 FIG. 6 is a left side view thereof; and,
 FIG. 7 is a right side view thereof.

1 Claim, 4 Drawing Sheets

(56) **References Cited**
 U.S. PATENT DOCUMENTS

- D231,968 S * 7/1974 Juhlin D7/538
- D343,124 S * 1/1994 Boucheron D9/529
- D370,416 S * 6/1996 Hirato D9/549
- D403,589 S * 1/1999 Wong D9/529
- D445,690 S * 7/2001 Ekkert D9/504
- D446,456 S * 8/2001 Adachi et al. D9/529
- D474,405 S * 5/2003 Togasawa D9/504
- D520,370 S * 5/2006 Priestman D9/529



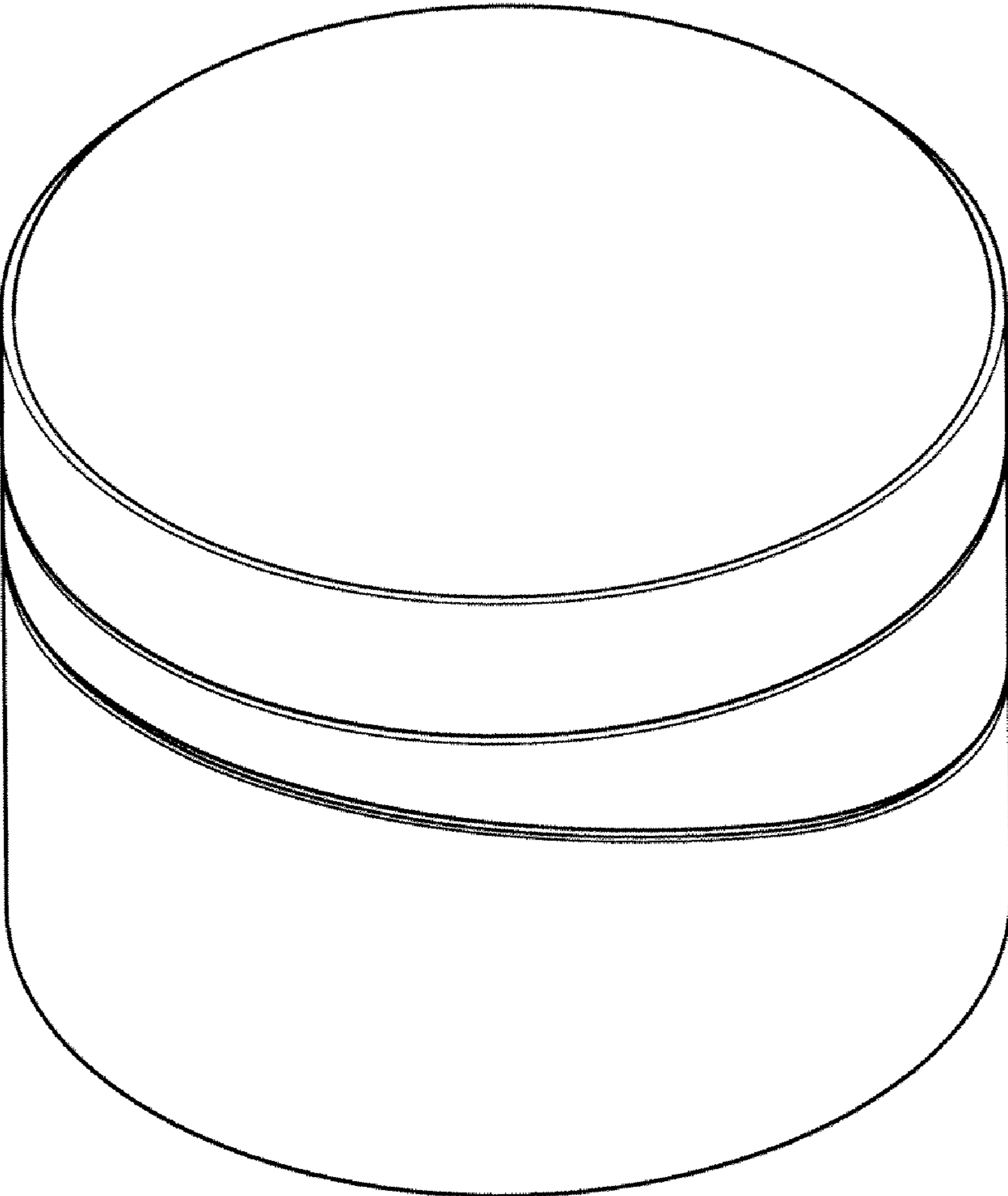


Fig. 1

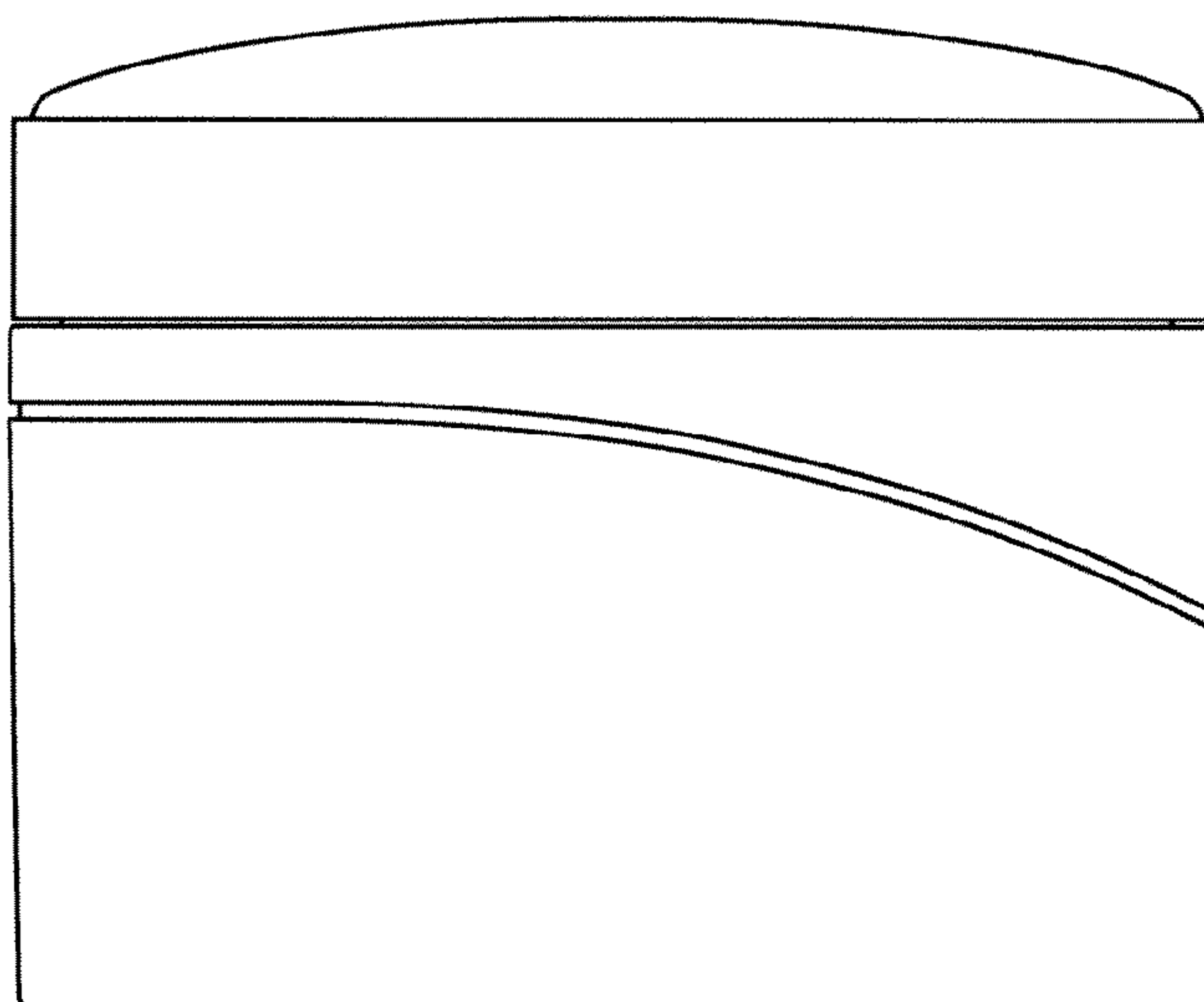


Fig. 2

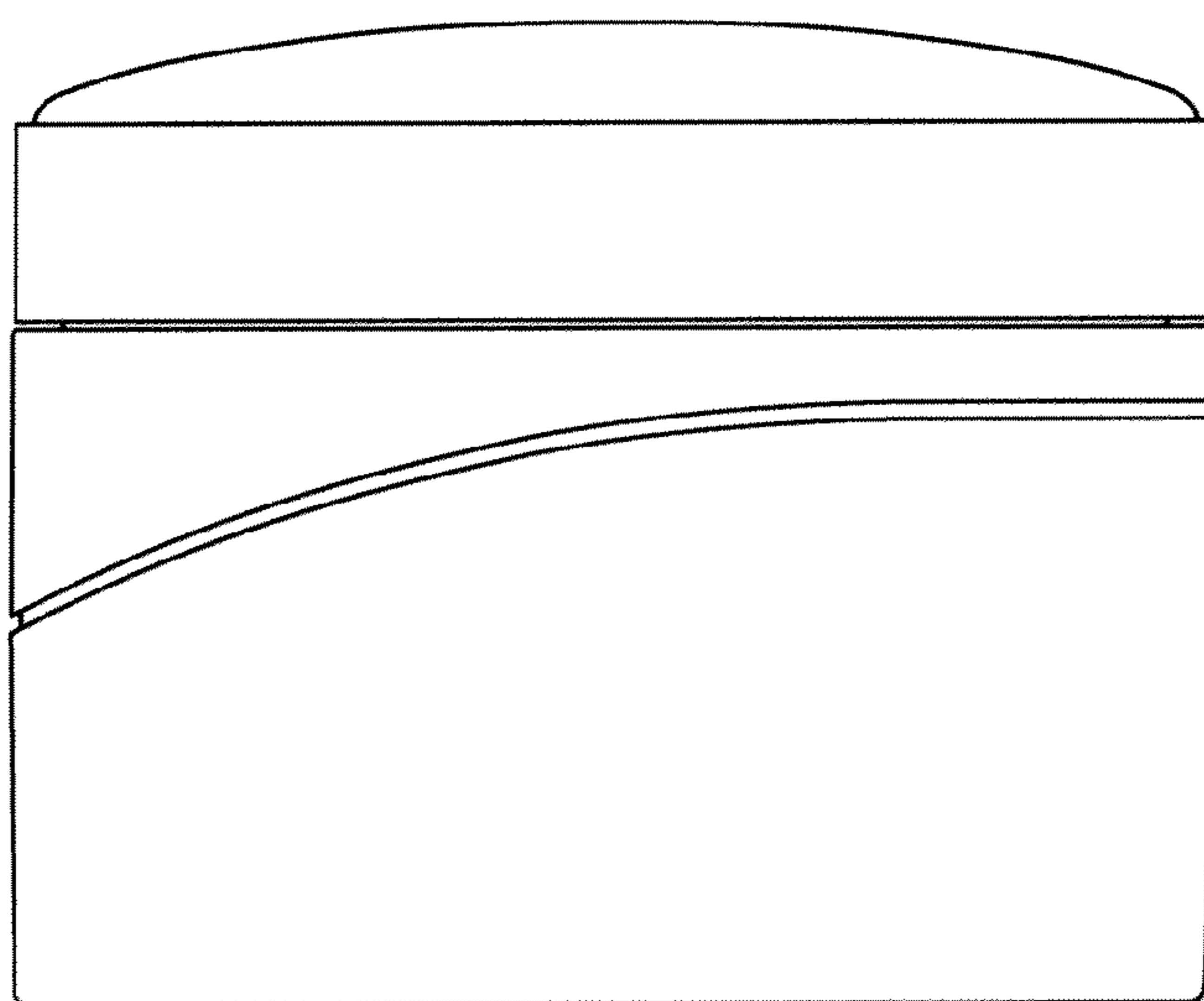


Fig. 3

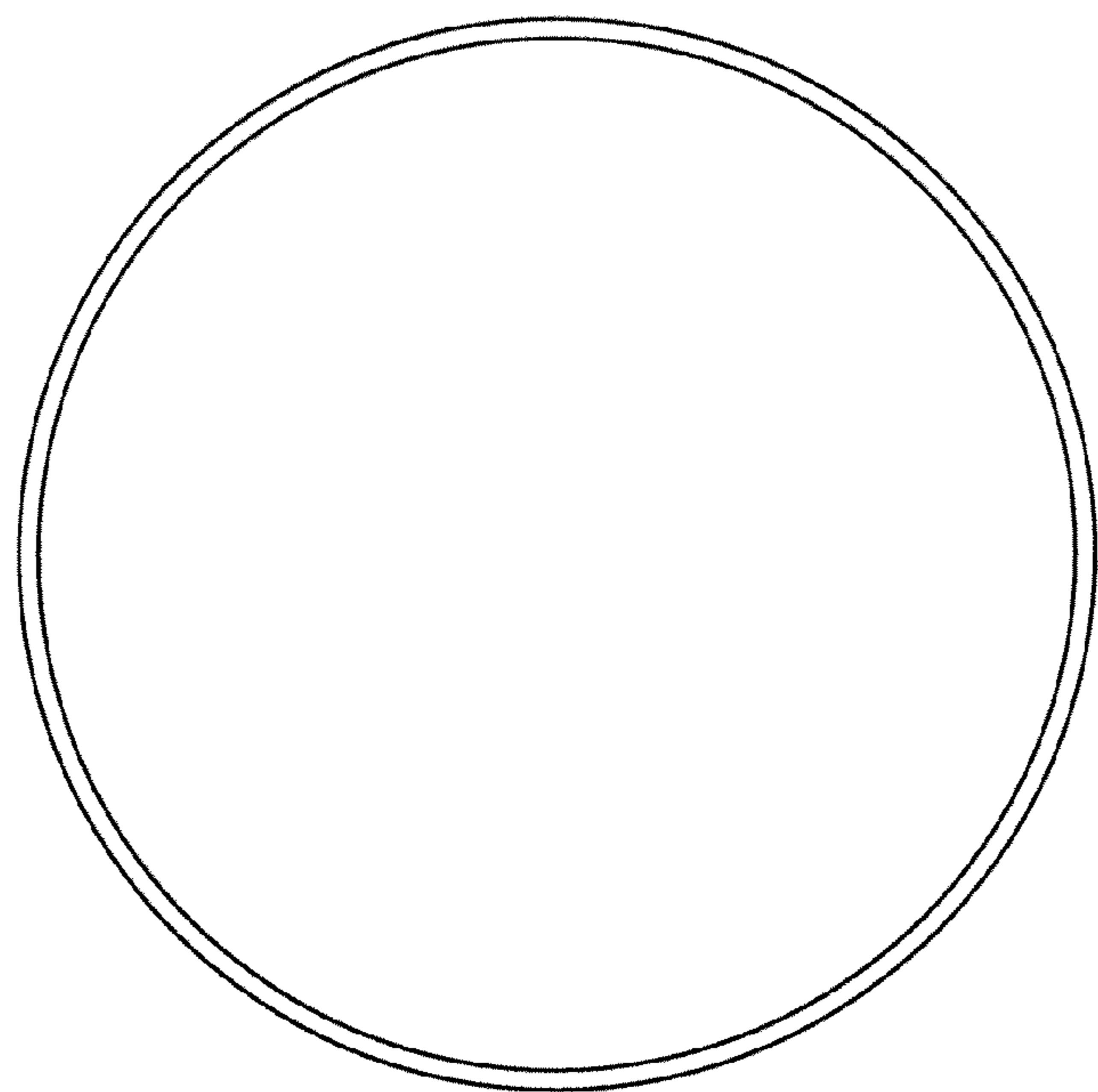


Fig. 4

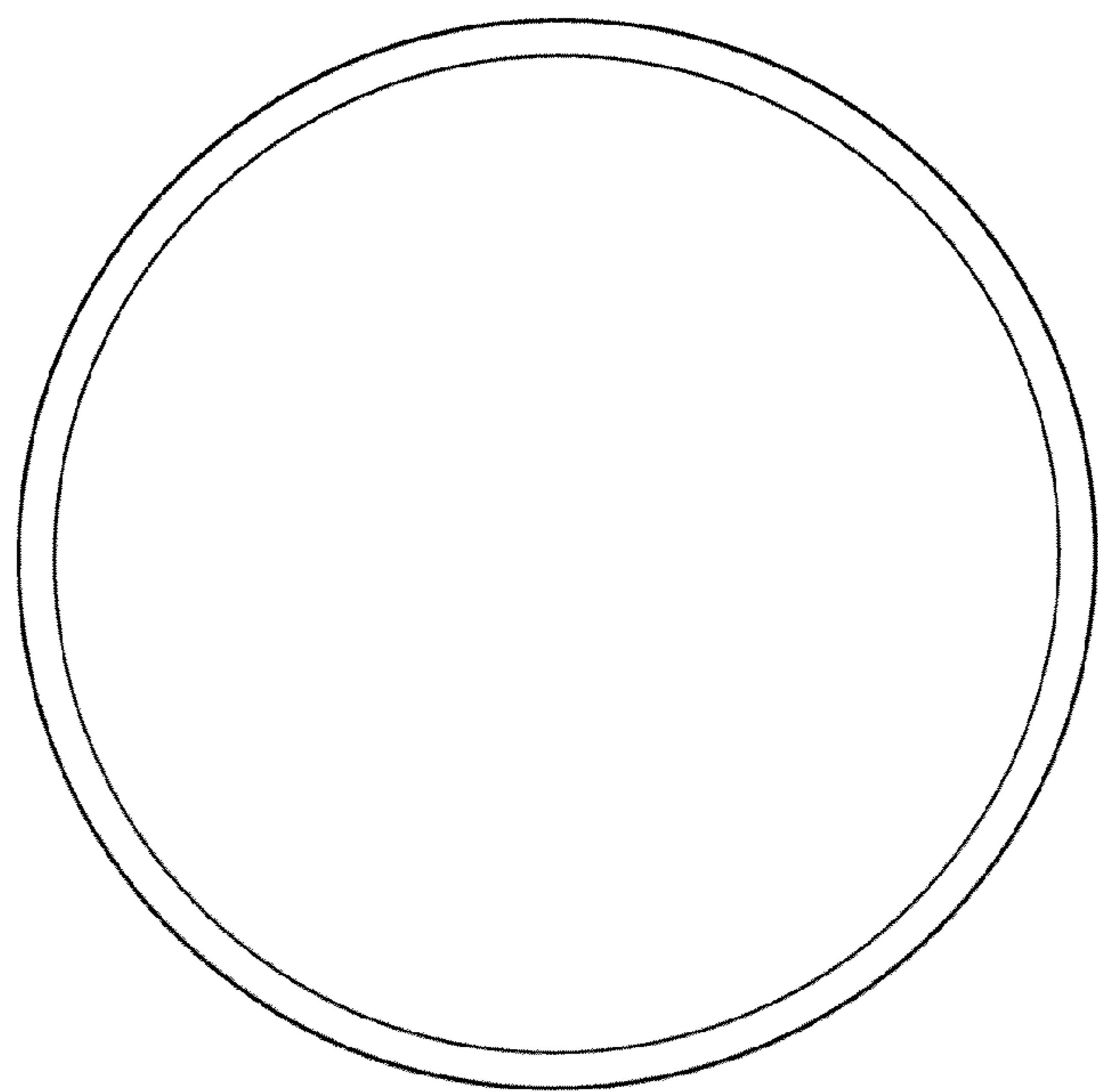


Fig. 5

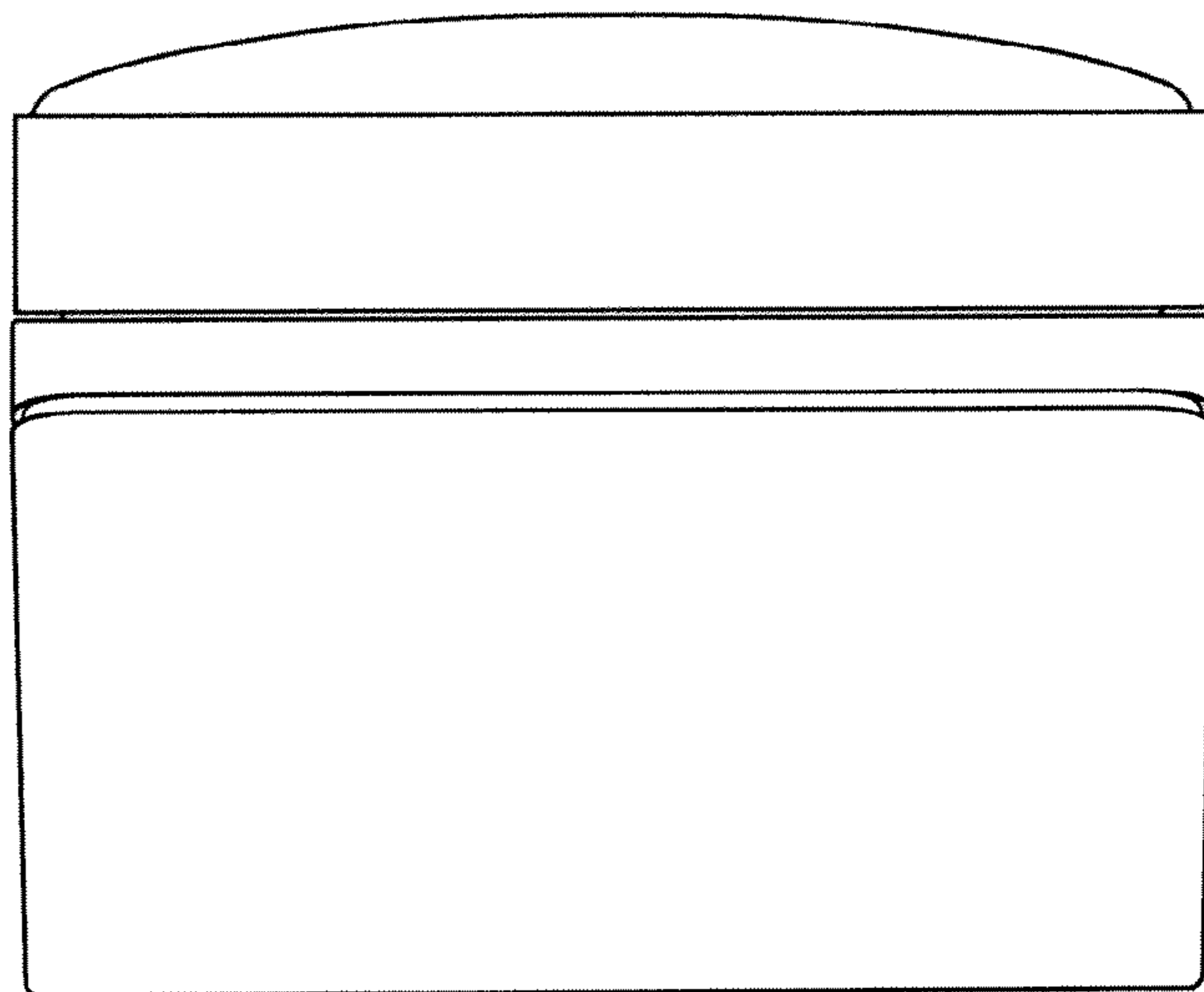


Fig. 6

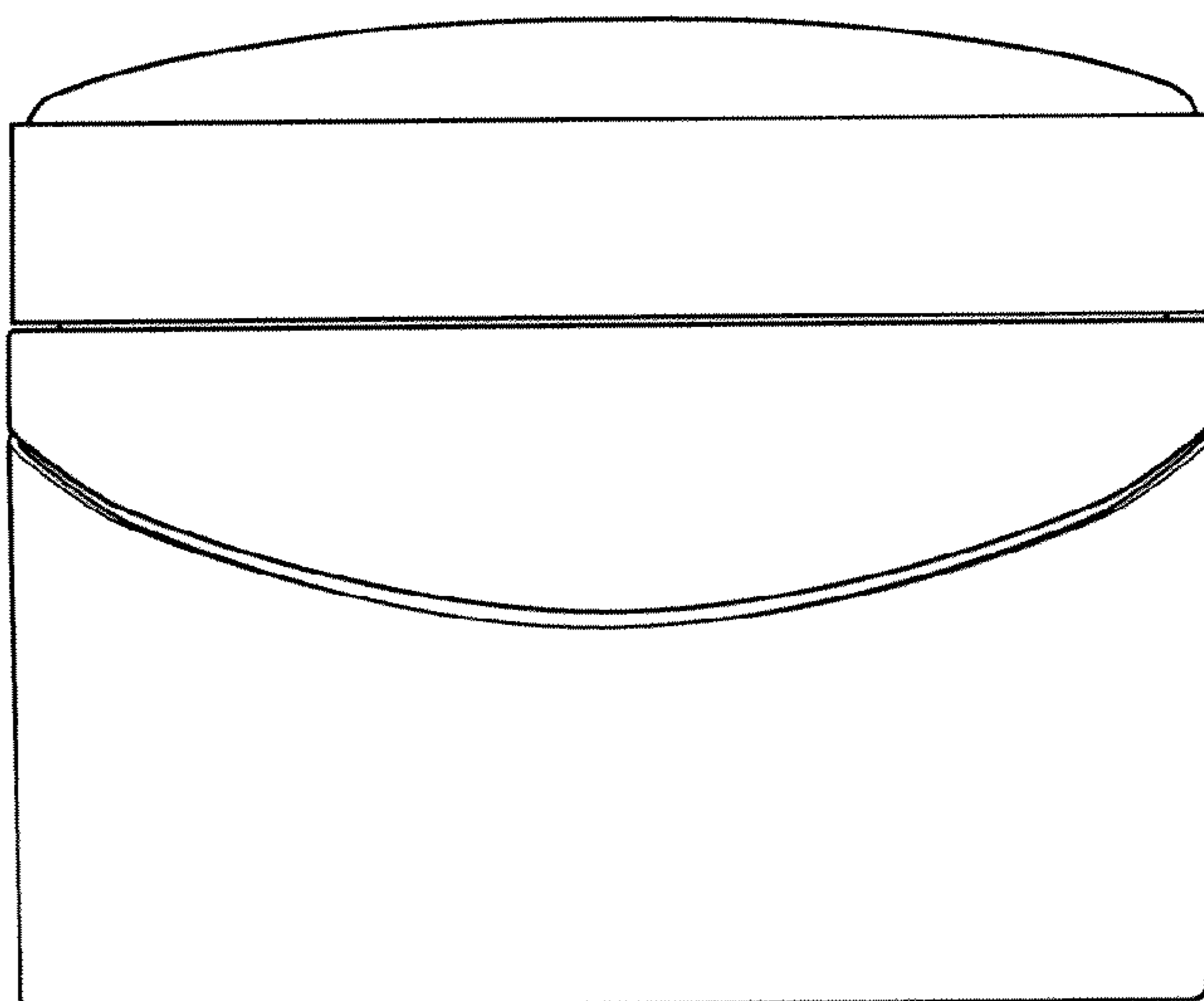


Fig. 7