



US00D588008S

(12) **United States Design Patent**  
**Flanagan-Kent et al.**

(10) **Patent No.:** **US D588,008 S**  
(45) **Date of Patent:** **\*\* Mar. 10, 2009**

(54) **CANISTER WITH HAND GRIP**

D480,974 S \* 10/2003 Blank ..... D9/543  
D521,387 S \* 5/2006 Little et al. .... D9/530

(75) Inventors: **Laura Flanagan-Kent**, Decatur, GA (US); **Mark Wanderlich**, Loganville, GA (US); **John Silva**, Suwannee, GA (US)

\* cited by examiner

*Primary Examiner*—Nanda Bondade  
(74) *Attorney, Agent, or Firm*—Foley & Lardner LLP

(73) Assignee: **Silgan Plastics Corporation**,  
Chesterfield, MO (US)

(57) **CLAIM**

(\*\*) Term: **14 Years**

The ornamental design for a canister with hand grip, as shown and described.

(21) Appl. No.: **29/271,048**

**DESCRIPTION**

(22) Filed: **Jan. 9, 2007**

(51) **LOC (9) Cl.** ..... **09-01**

(52) **U.S. Cl.** ..... **D9/531; D9/543**

(58) **Field of Classification Search** ..... D7/612–615;  
D9/516, 520, 528, 530–531, 534–535, 540,  
D9/561, 563, 575; 215/381–385  
See application file for complete search history.

FIG. 1 is a perspective view of a canister with hand grip showing our new design;

FIG. 2 is a side elevational view of the canister with the opposite side being a mirror image thereof;

FIG. 3 is a rear elevational view thereof;

FIG. 4 is a front elevational view thereof;

FIG. 5 is a top view thereof; and,

FIG. 6 is a bottom view thereof.

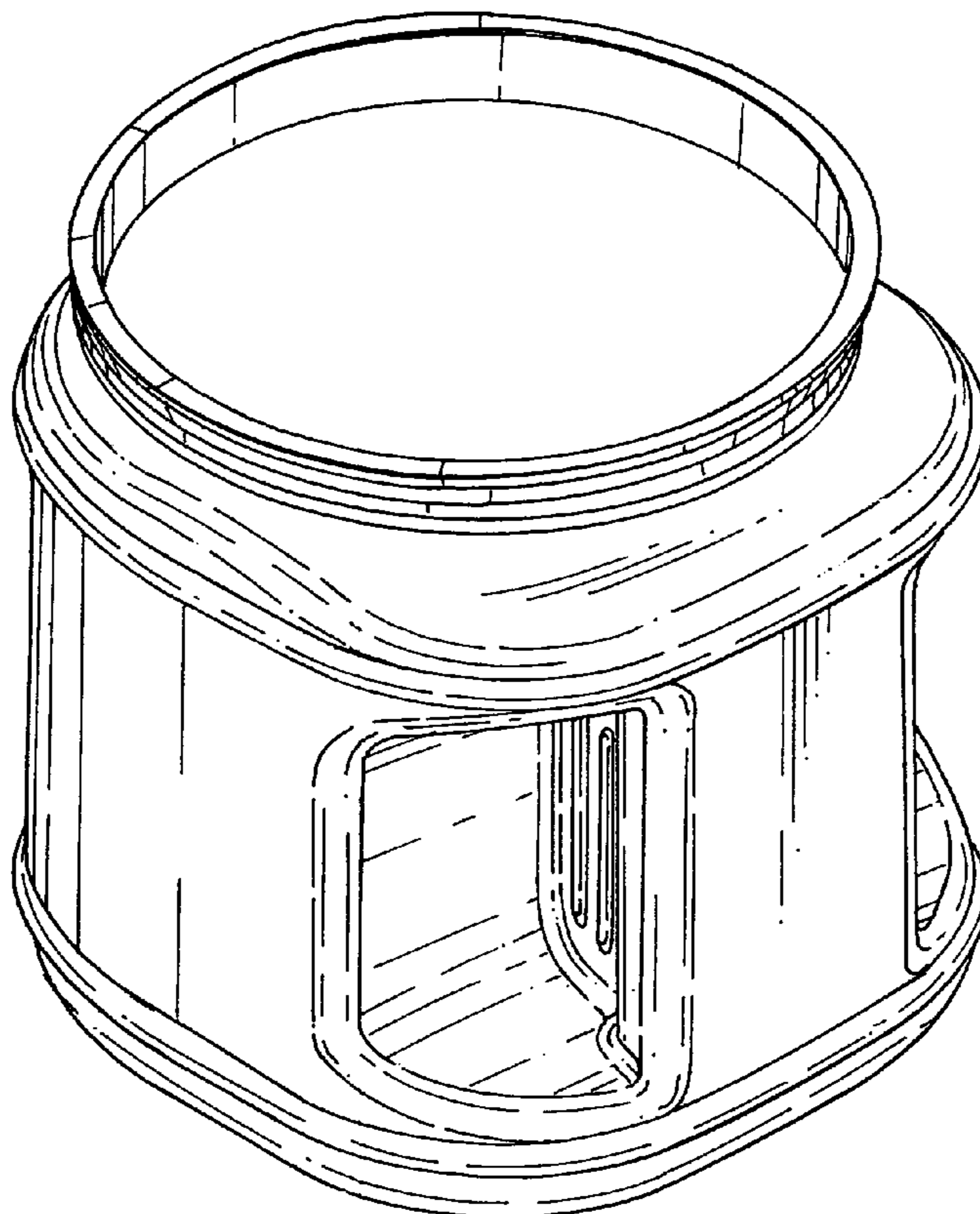
The broken line showing on the drawing disclosure is for illustrative purposes only and forms no part of the claimed design.

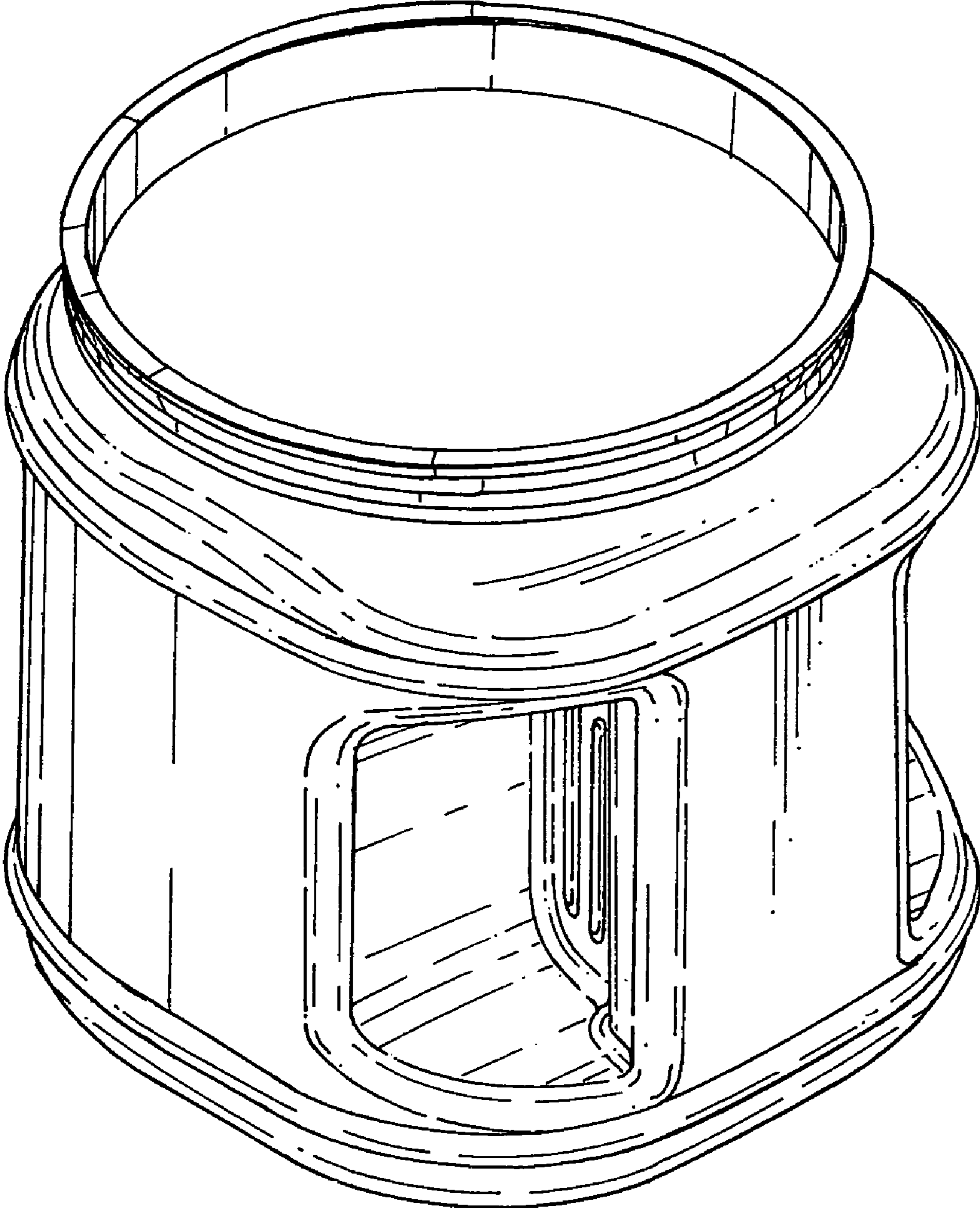
(56) **References Cited**

**U.S. PATENT DOCUMENTS**

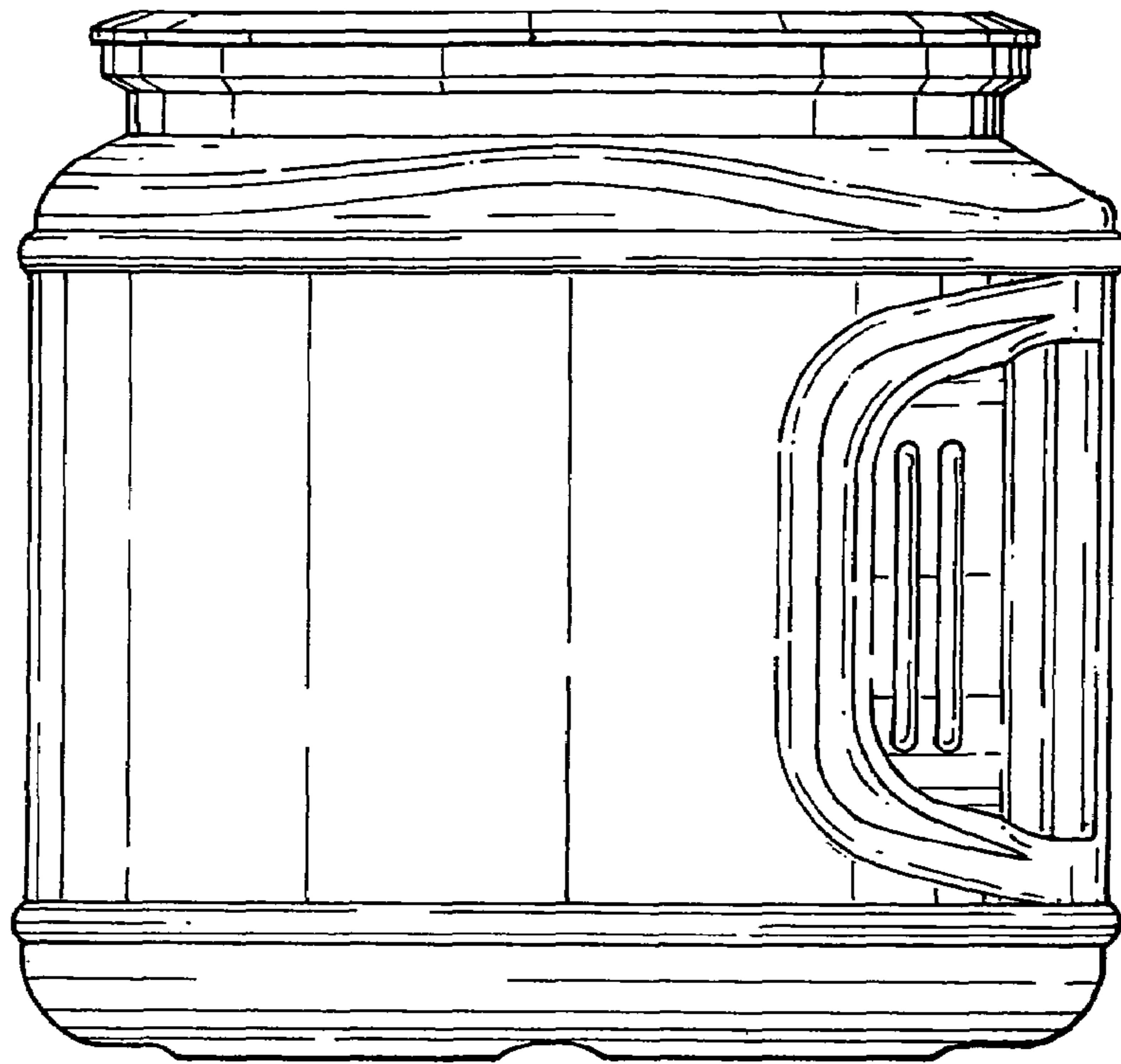
D382,807 S \* 8/1997 Silvers et al. .... D9/520  
D387,672 S \* 12/1997 Biesecker ..... D9/540  
D389,067 S \* 1/1998 Lown ..... D9/543  
6,349,839 B1 \* 2/2002 Mooney ..... 215/384

**1 Claim, 4 Drawing Sheets**

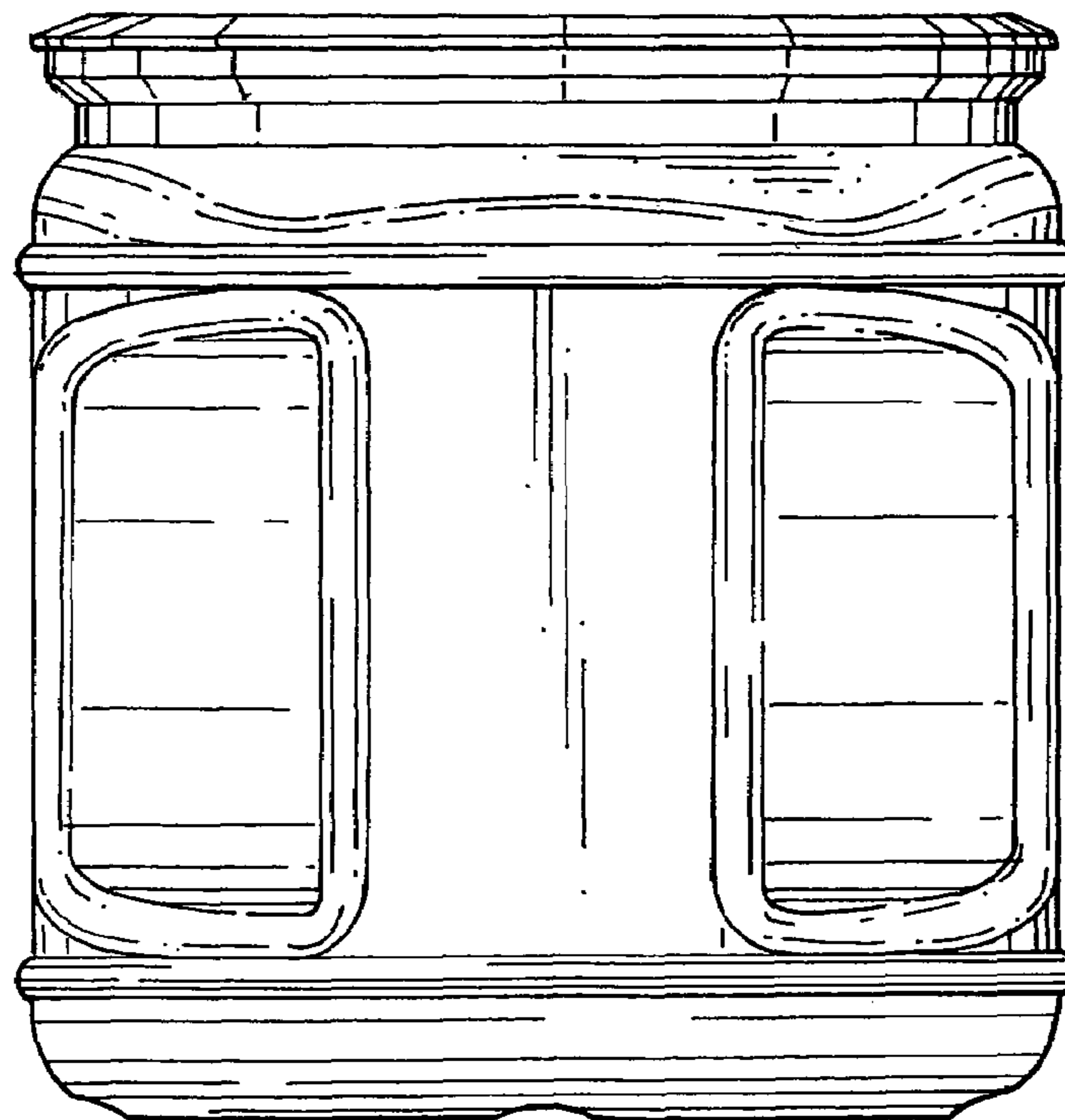




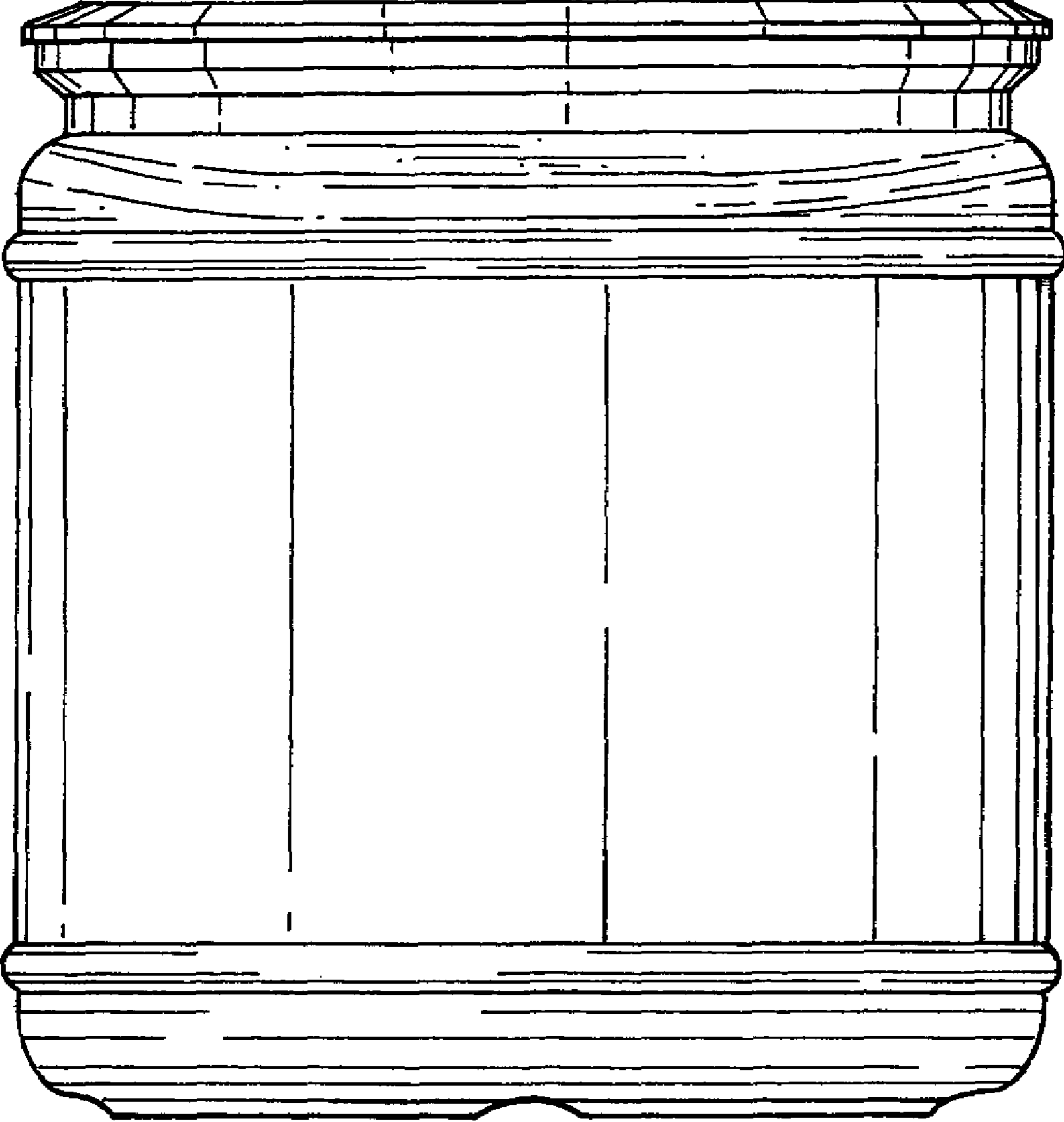
**FIG. 1**



*FIG. 2*



*FIG. 3*



*FIG. 4*

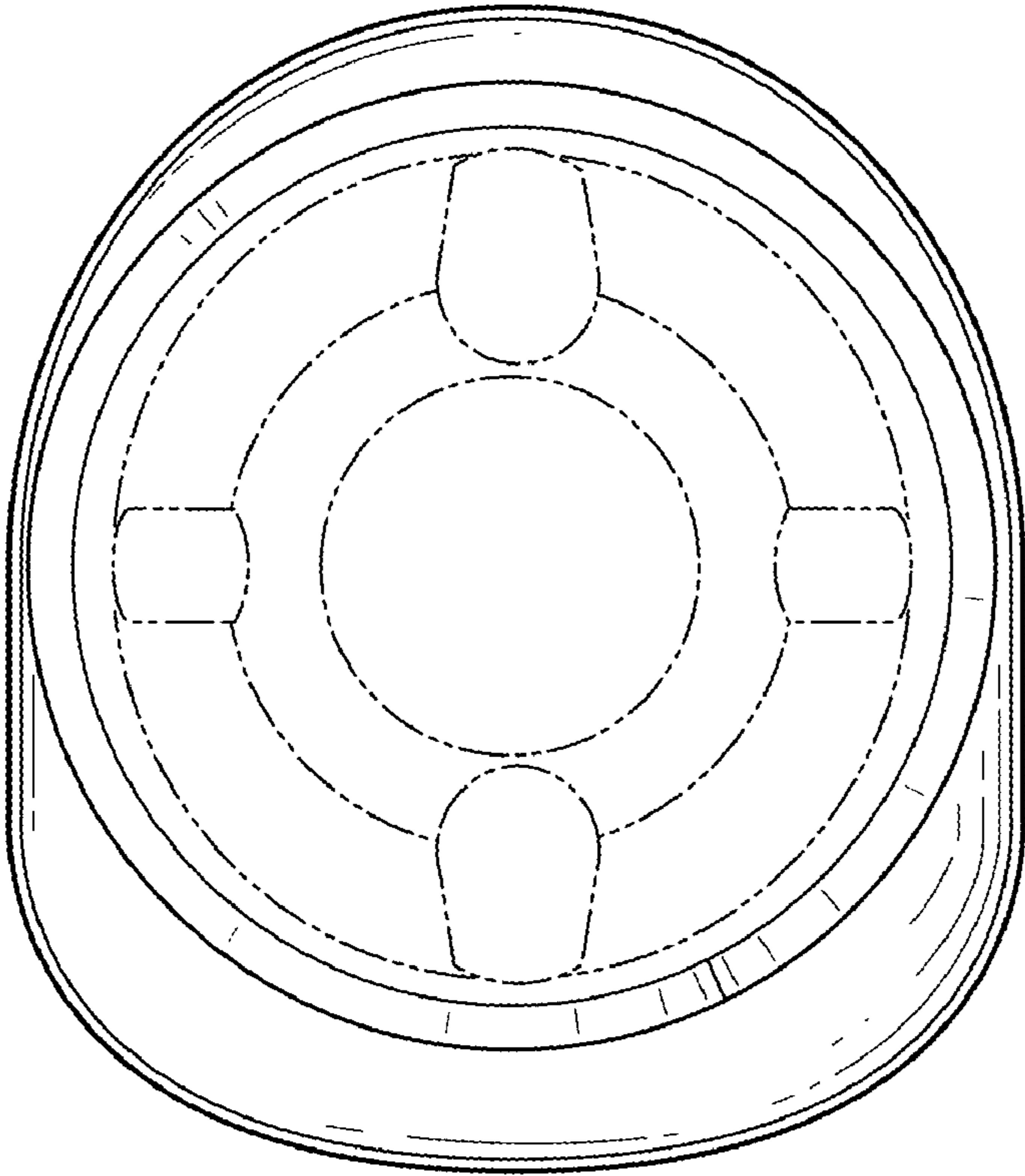


FIG. 5

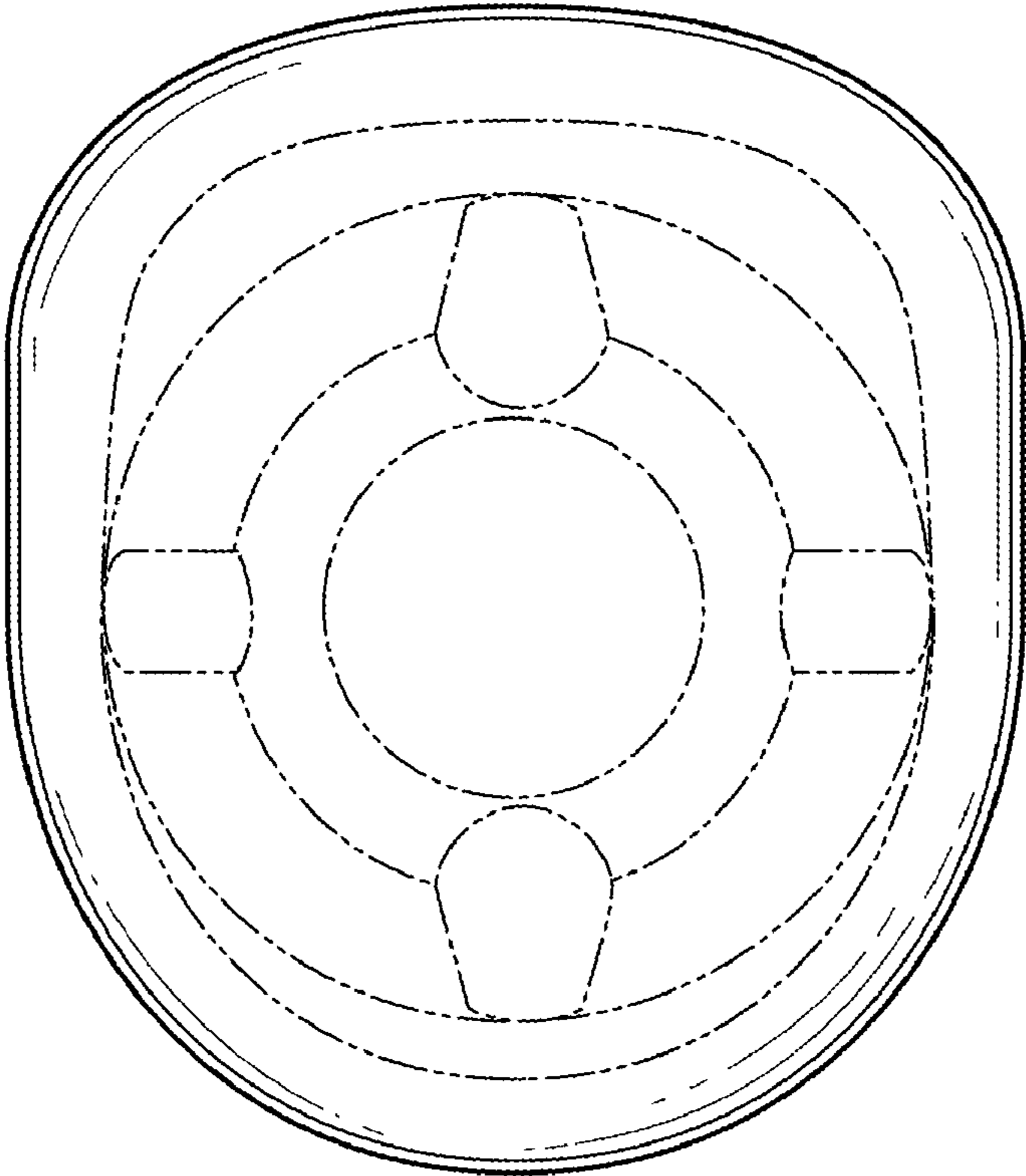


FIG. 6