



US00D588007S

(12) **United States Design Patent**
Limongi et al.

(10) **Patent No.:** **US D588,007 S**
(45) **Date of Patent:** **** Mar. 10, 2009**

(54) **CONTAINER FOR COSMETIC PRODUCTS**

(75) Inventors: **Michel Limongi**, Clichy (FR); **Marc Phu**, Shanghai (CN)

(73) Assignee: **Alcan Packaging Beauty Services** (FR)

(**) Term: **14 Years**

(21) Appl. No.: **29/282,958**

(22) Filed: **Aug. 2, 2007**

(30) **Foreign Application Priority Data**

Feb. 2, 2007 (FR) 07/0559

(51) **LOC (9) Cl.** **09-01**

(52) **U.S. Cl.** **D9/519; D9/529; D9/443**

(58) **Field of Classification Search** D9/435,
D9/443, 454, 500, 502-504, 516, 519, 529,
D9/530, 537, 539, 549, 558, 686-691; D28/4,
D28/7, 73, 76, 78, 82, 91; 215/6, 316, 329,
215/382-384; 220/660, 669, 675

See application file for complete search history.

(56) **References Cited**

U.S. PATENT DOCUMENTS

D60,401 S * 2/1922 Galle D9/500

D189,406 S * 12/1960 Harlow D9/443
D253,579 S * 12/1979 Sinclair D9/529
D296,873 S * 7/1988 Dent et al. D9/529
D302,386 S * 7/1989 Sala D9/529
D303,631 S * 9/1989 Demarest D9/529
D338,157 S * 8/1993 Desgrippes D9/663
D341,227 S * 11/1993 Lang et al. D28/76
D474,978 S * 5/2003 Varlet D9/549

* cited by examiner

Primary Examiner—Stella M Reid

Assistant Examiner—Keli L Hill

(74) *Attorney, Agent, or Firm*—Cantor Colburn LLP

(57) **CLAIM**

I claim, the ornamental design for a container for cosmetic products, as shown and described.

DESCRIPTION

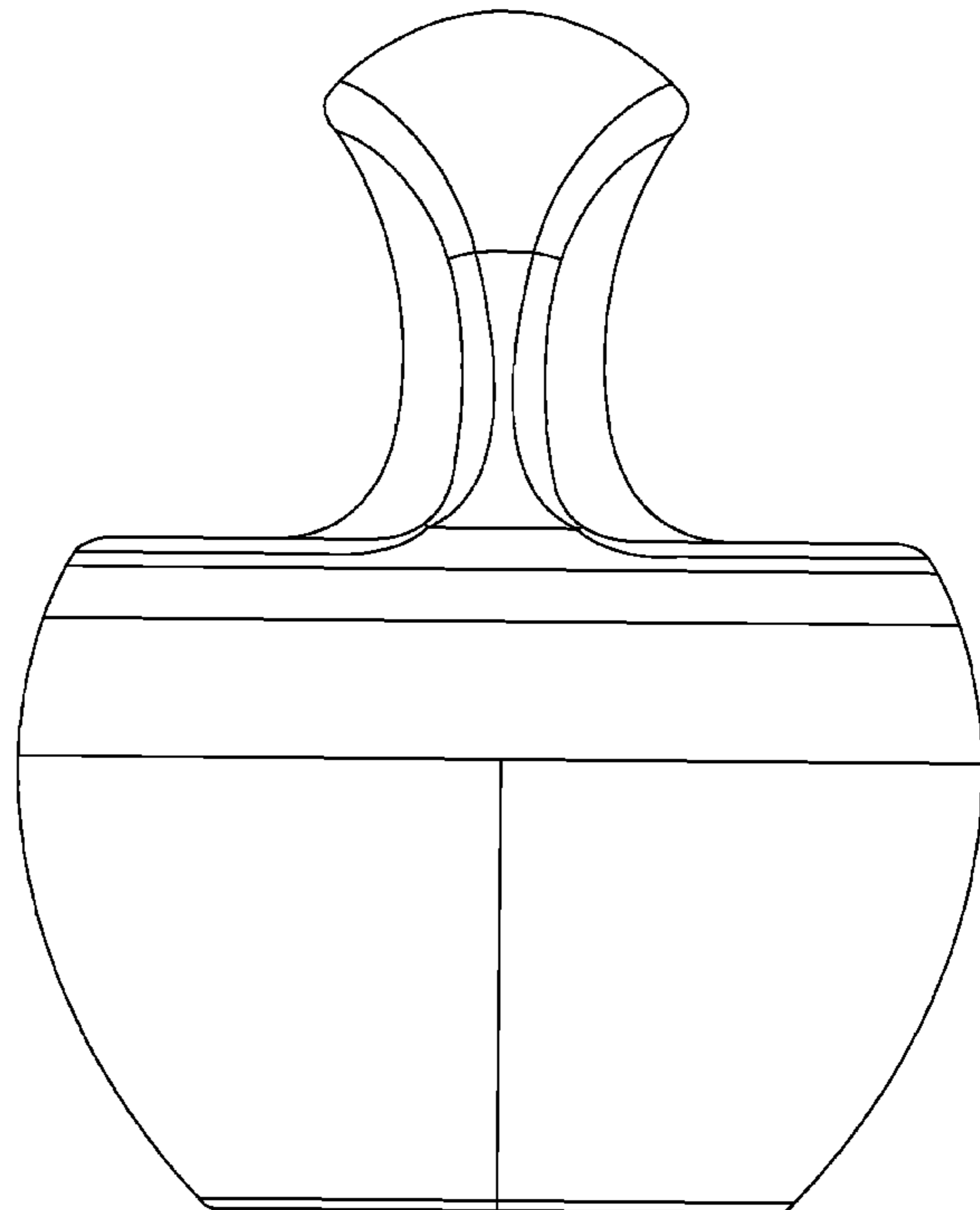
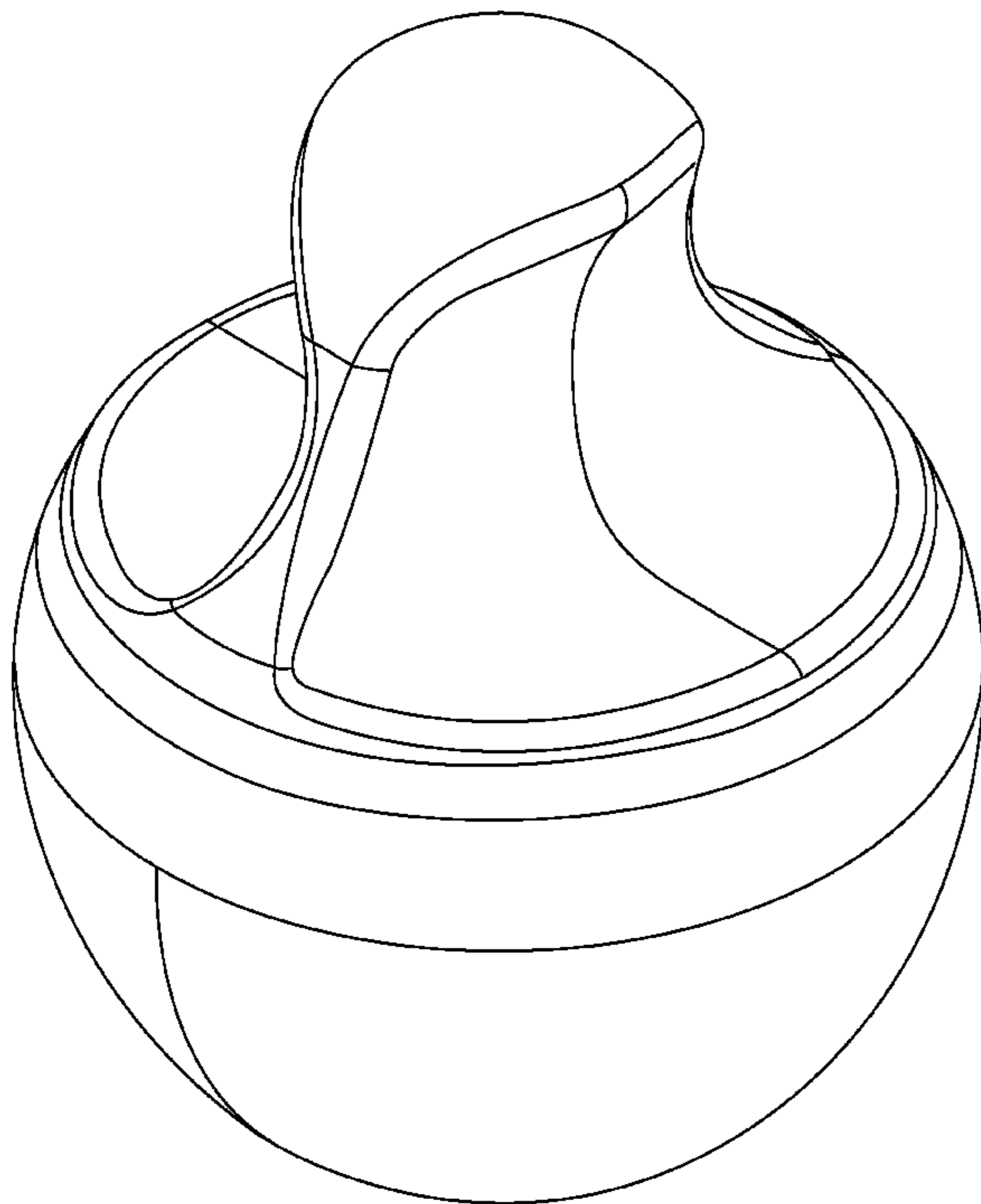
FIG. 1 is a perspective view of a container for cosmetic products, showing my new design;

FIG. 2 is a front view thereof, the opposite side view being a mirror image;

FIG. 3 is a right side view thereof, the left side view being a mirror image; and,

FIG. 4 is a top view thereof.

1 Claim, 4 Drawing Sheets



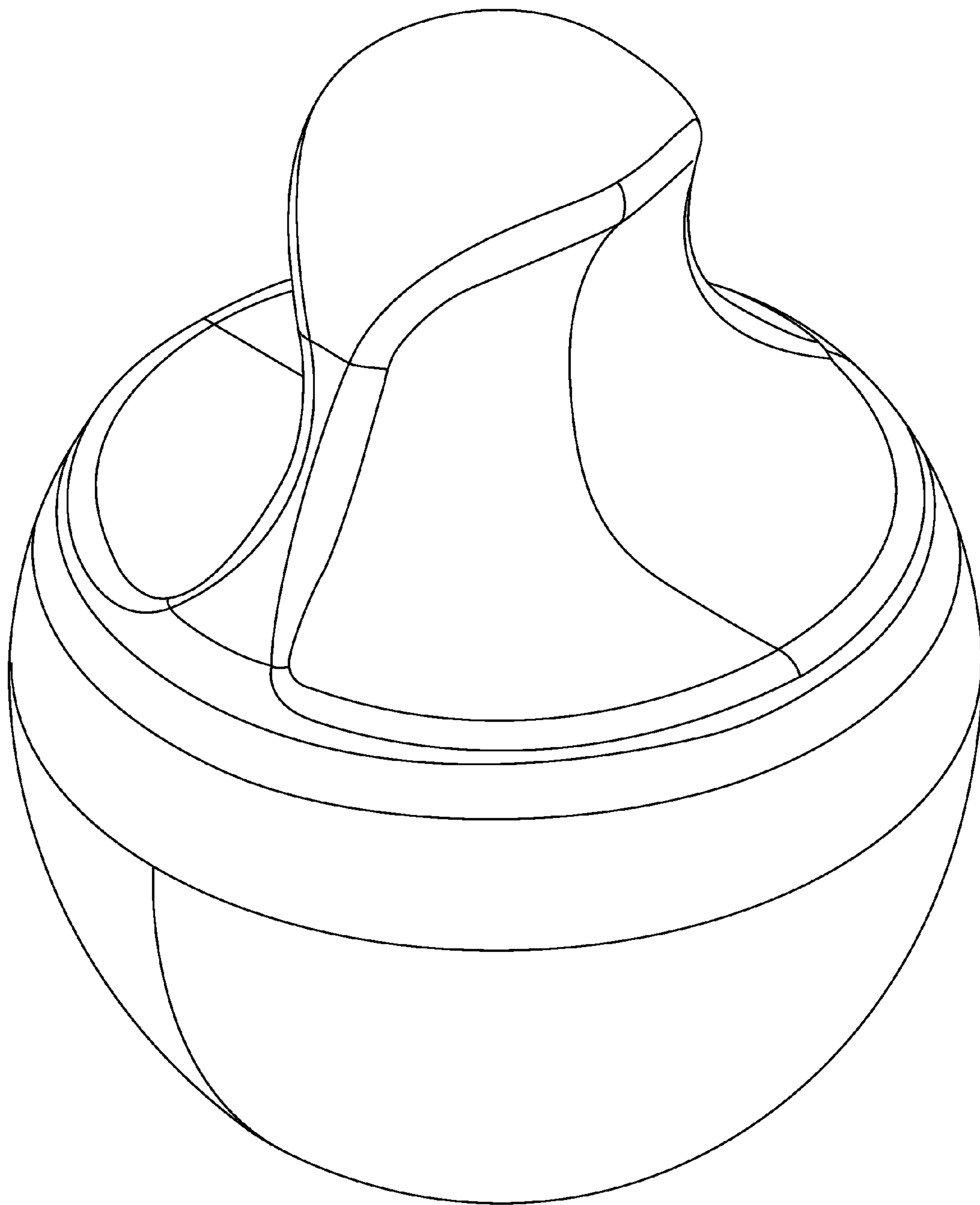


FIG. 1

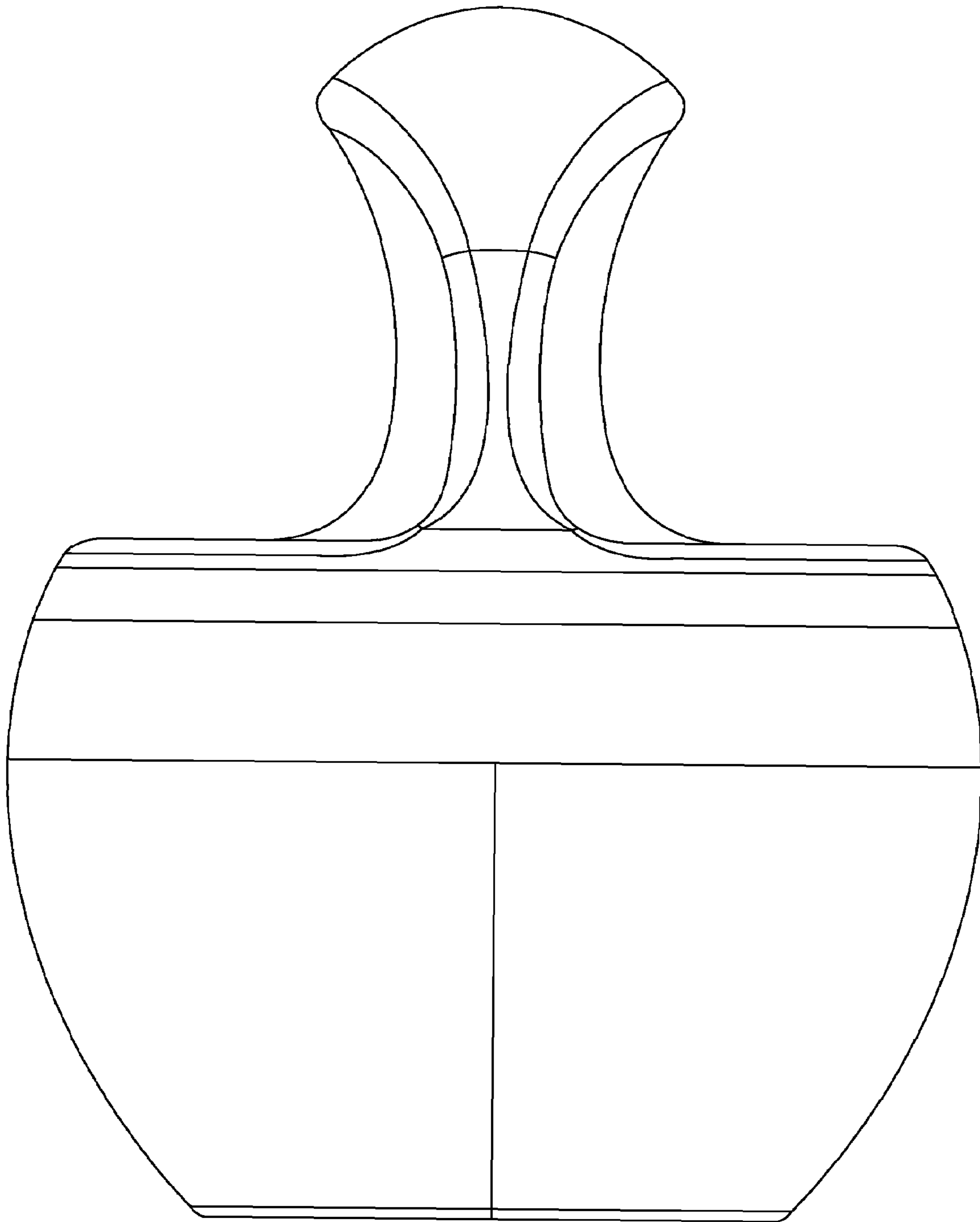


FIG. 2

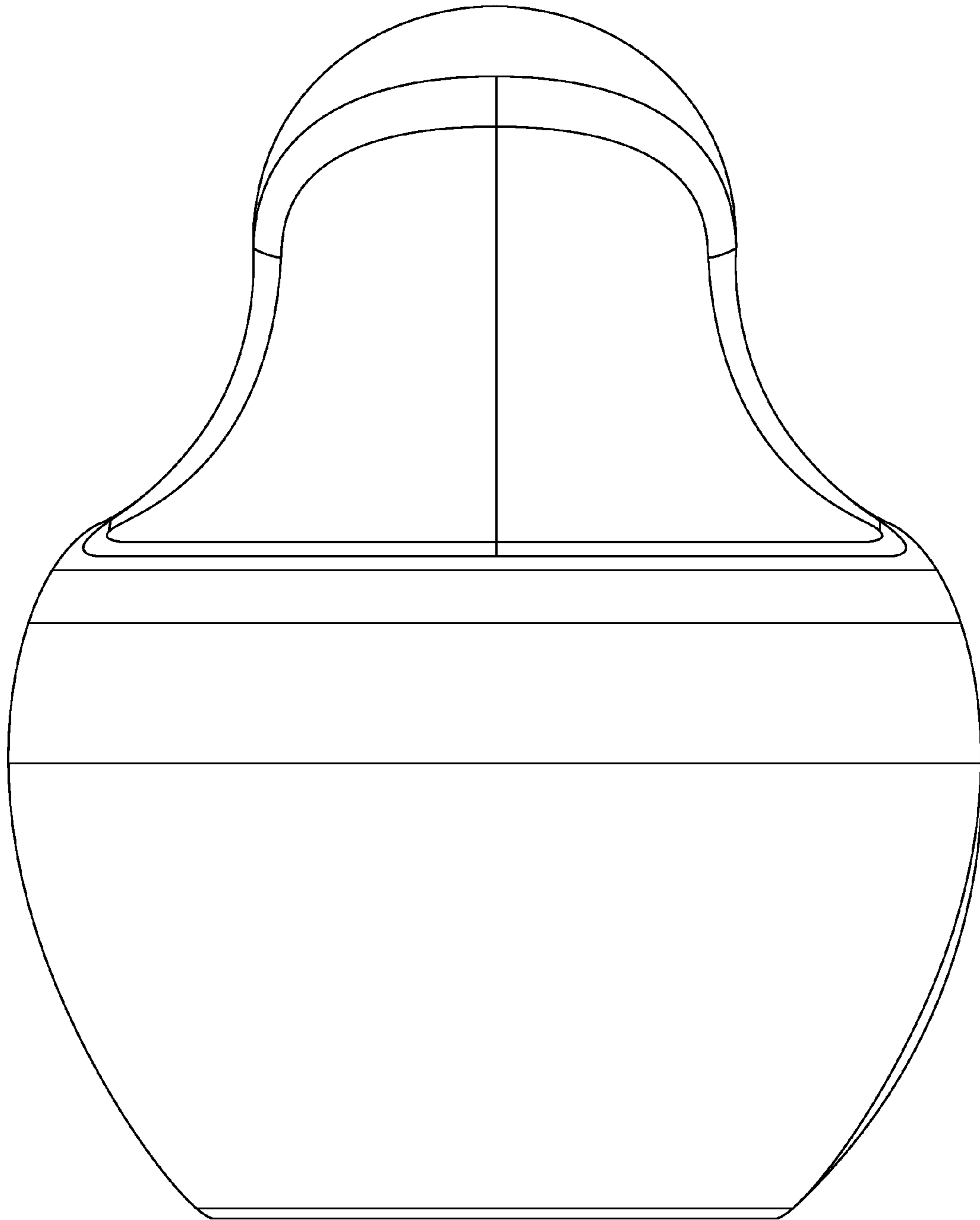


FIG. 3

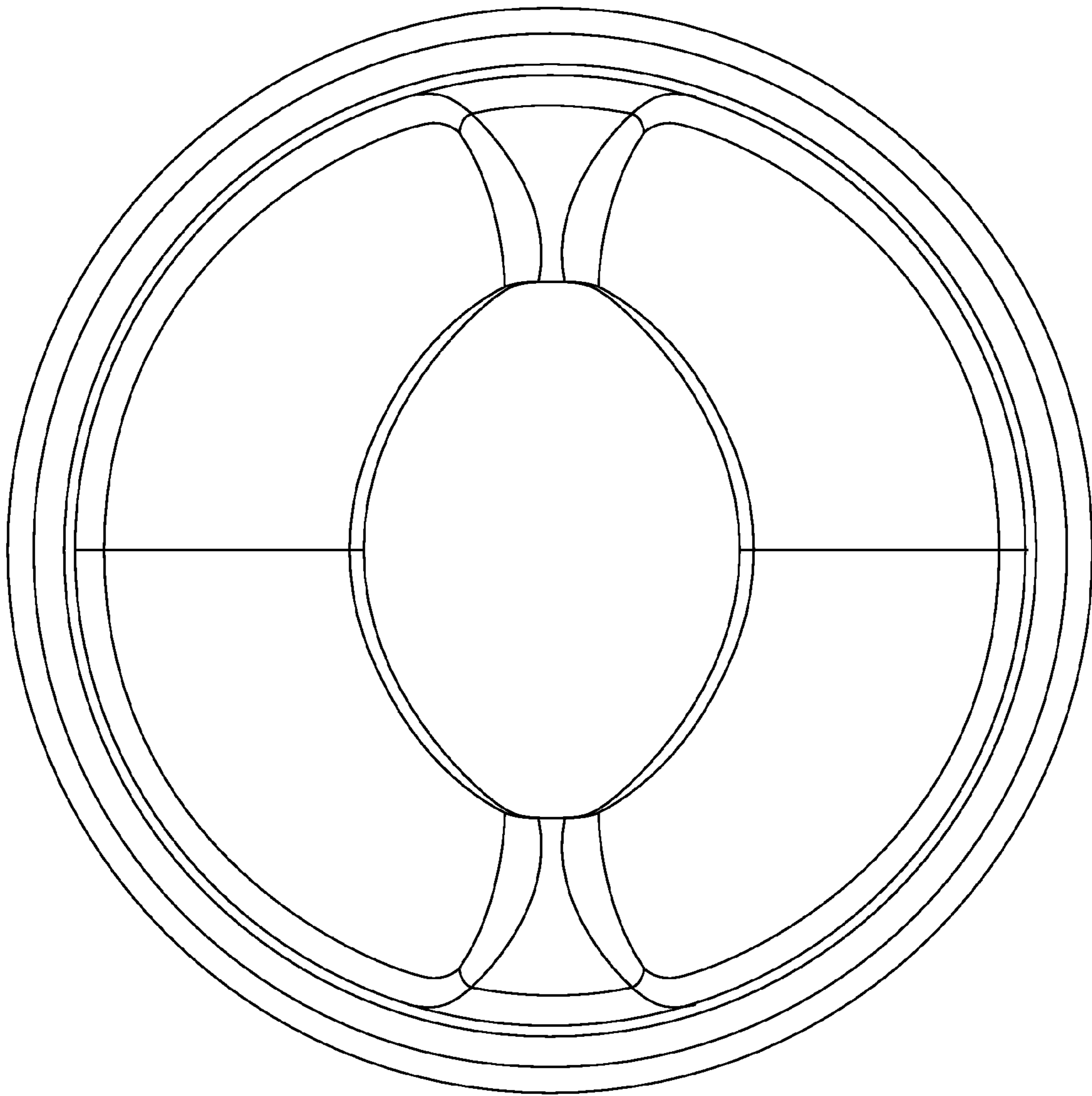


FIG. 4