



US00D588006S

(12) **United States Design Patent**
Boes et al.

(10) **Patent No.:** **US D588,006 S**
(45) **Date of Patent:** **** Mar. 10, 2009**

(54) **DISPENSING HEAD**

(75) Inventors: **Erwin Boes**, Wijchen (NL); **Markus F. Brouwer**, Heesch (NL); **Eelco Han de Man**, Vlijmen (NL)

(73) Assignee: **Meadwestvaco Calmar Netherlands B.V.**, Drunen (NL)

(**) Term: **14 Years**

(21) Appl. No.: **29/324,646**

(22) Filed: **Sep. 17, 2008**

(51) **LOC (9) Cl.** **09-07**

(52) **U.S. Cl.** **D9/448**

(58) **Field of Classification Search** D9/697,
D9/695, 682, 453, 449, 448, 447, 446, 442,
D9/435, 434, 450; 222/94, 92, 490, 383.1,
222/321.7, 321.3, 251, 204, 153.14, 153.13,
222/153.02, 545; 221/288; 215/372; 206/63.5
See application file for complete search history.

(56) **References Cited**

U.S. PATENT DOCUMENTS

D381,580 S *	7/1997	Kokenge et al.	D9/447
D392,887 S *	3/1998	Wadsworth	D9/448
D415,427 S *	10/1999	Durliat	D9/448
D418,418 S *	1/2000	Wadsworth	D9/448
D419,446 S *	1/2000	Durliat	D9/448
D424,938 S *	5/2000	Wise	D9/448
D427,527 S *	7/2000	Wise	D9/448
D434,984 S *	12/2000	Wadsworth	D9/448
D436,863 S *	1/2001	Wadsworth et al.	D9/448
D438,113 S *	2/2001	Wadsworth	D9/448
D438,468 S *	3/2001	Wadsworth	D9/448

D438,798 S *	3/2001	Wadsworth	D9/448
D452,822 S *	1/2002	Boshuizen et al.	D9/448
D458,136 S *	6/2002	Bakic	D9/448
D466,017 S *	11/2002	Kuo	D9/448
D471,105 S *	3/2003	Gonzalez Fernandez	D9/448
D499,966 S *	12/2004	Arminak	D9/448
D527,258 S *	8/2006	Crawford	D9/448
D528,911 S *	9/2006	Turner	D9/448
D539,648 S *	4/2007	Arminak	D9/448
D568,154 S *	5/2008	Arminak	D9/448
D574,707 S *	8/2008	Pietrowski et al.	D9/448

* cited by examiner

Primary Examiner—Susan Bennett Hattan

(57) **CLAIM**

I claim the ornamental design for a dispensing head, as shown and described.

DESCRIPTION

FIG. 1 is a perspective view of a dispensing head showing our new design;

FIG. 2 is a side view of the dispensing head shown in FIG. 1;

FIG. 3 is a side view of the dispensing head shown in FIG. 1;

FIG. 4 is a front view of the dispensing head shown in FIG. 1;

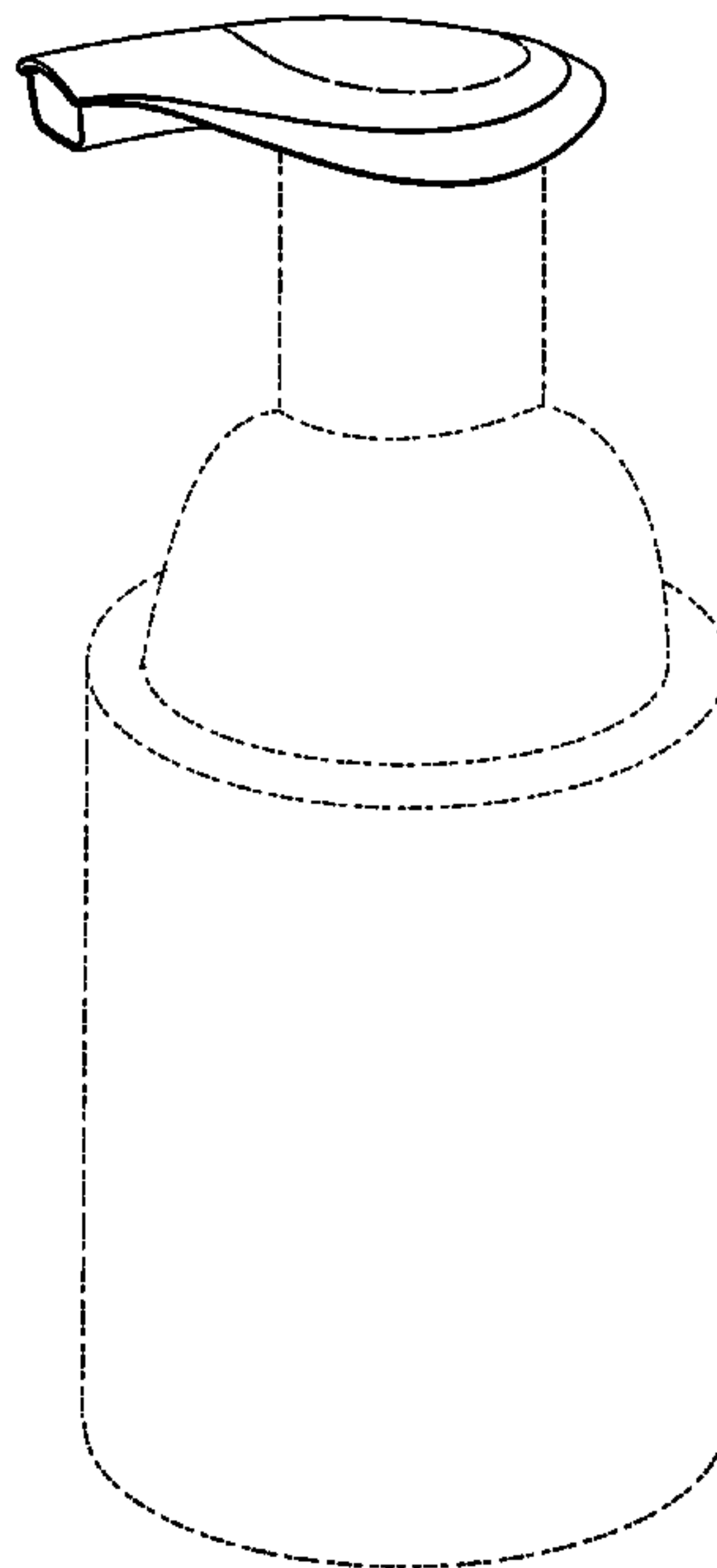
FIG. 5 is a rear view of the dispensing head shown in FIG. 1;

FIG. 6 is a top view of the dispensing head shown in FIG. 1; and,

FIG. 7 is a bottom view of the dispensing head shown in FIG. 1.

The broken lines in the drawings depict environmental subject matter only and form no part of the claimed design.

1 Claim, 5 Drawing Sheets



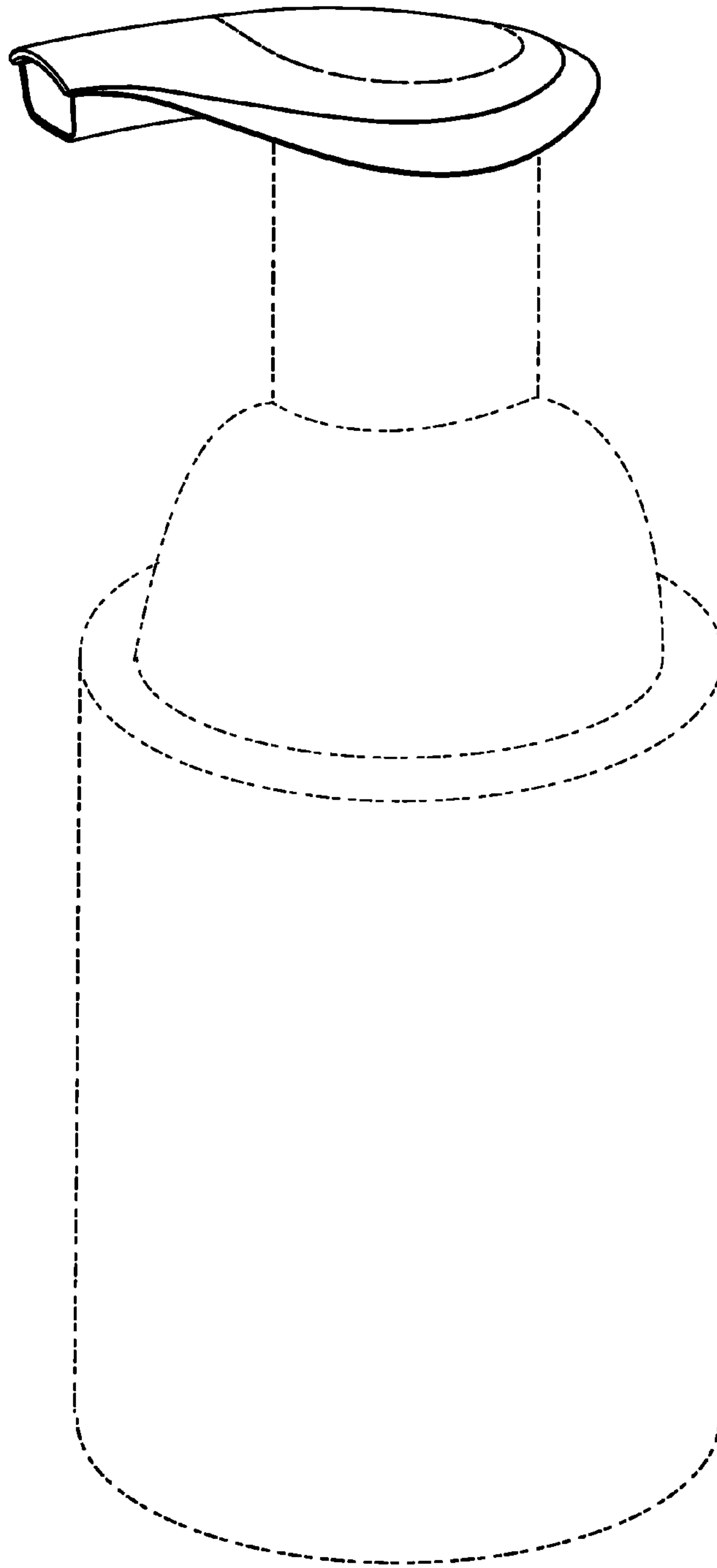


FIG. 1

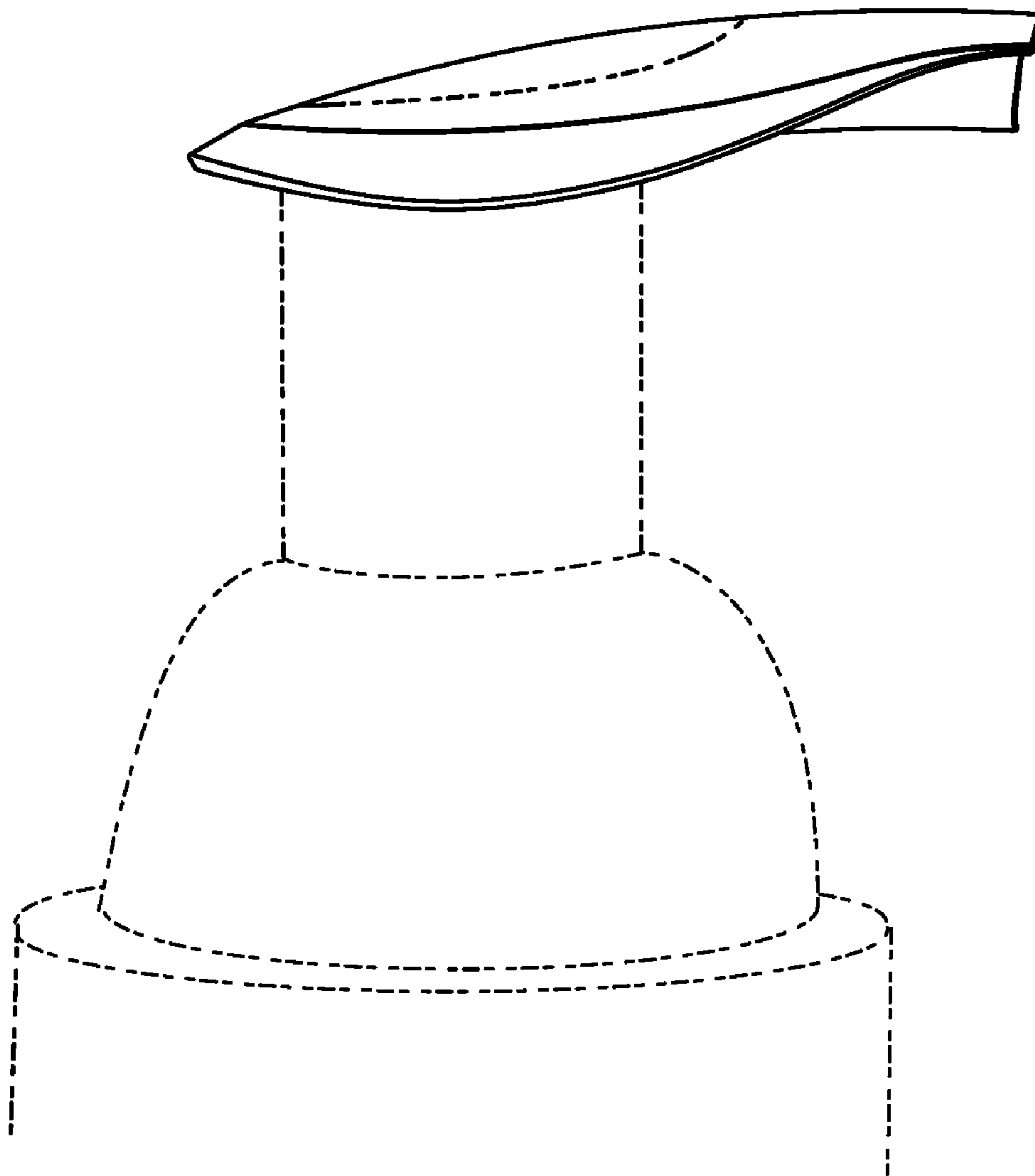


FIG. 2

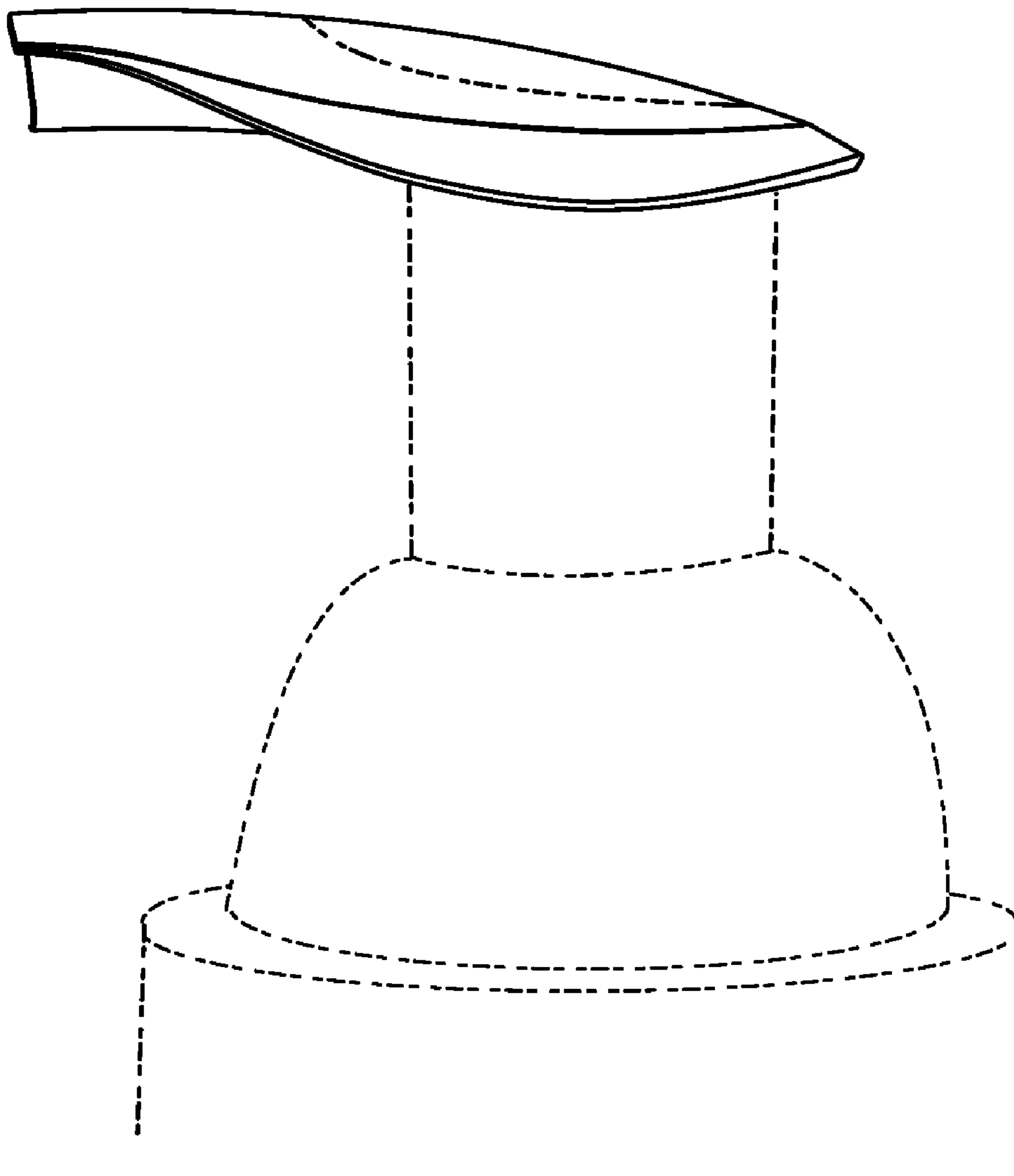


FIG. 3

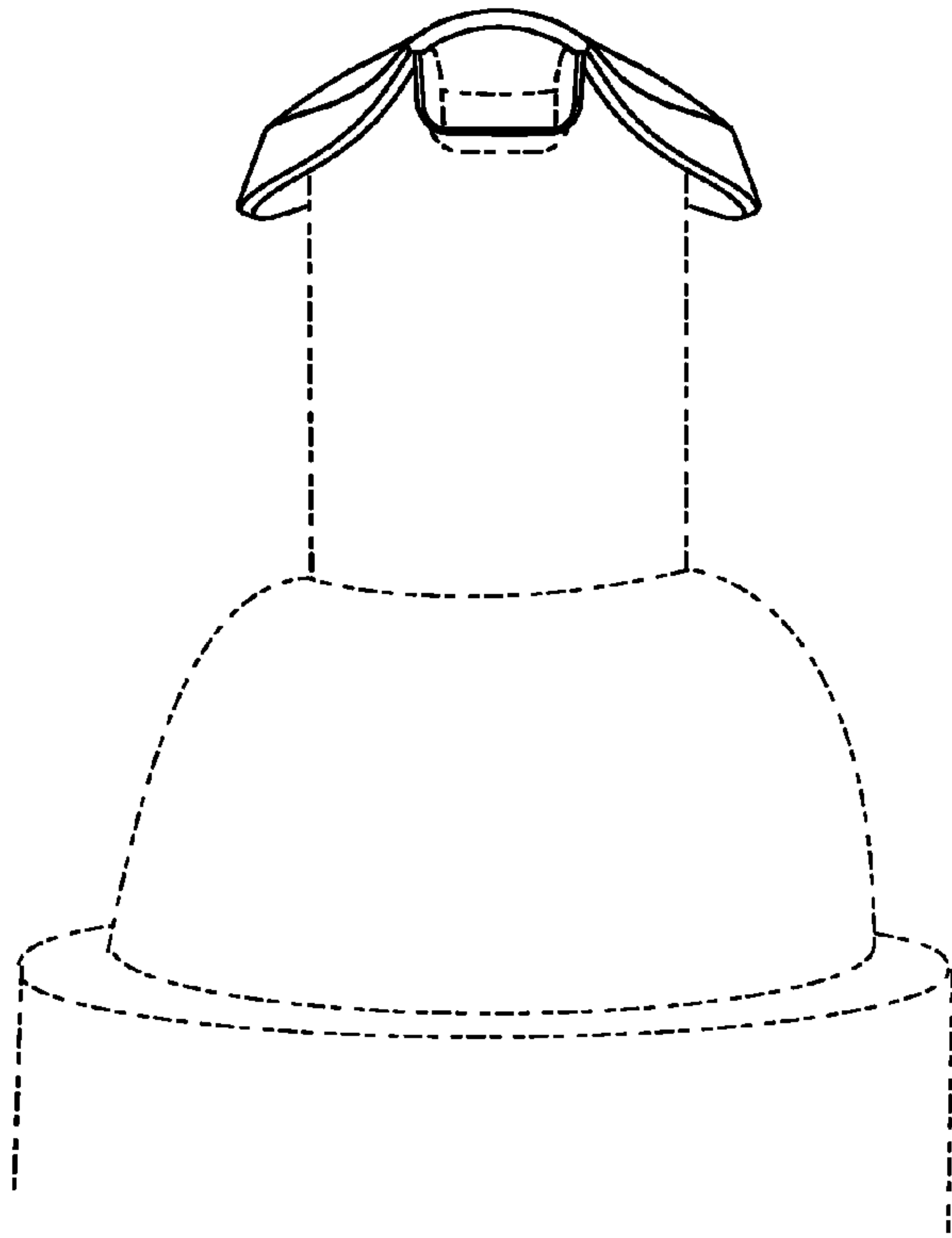


FIG. 4

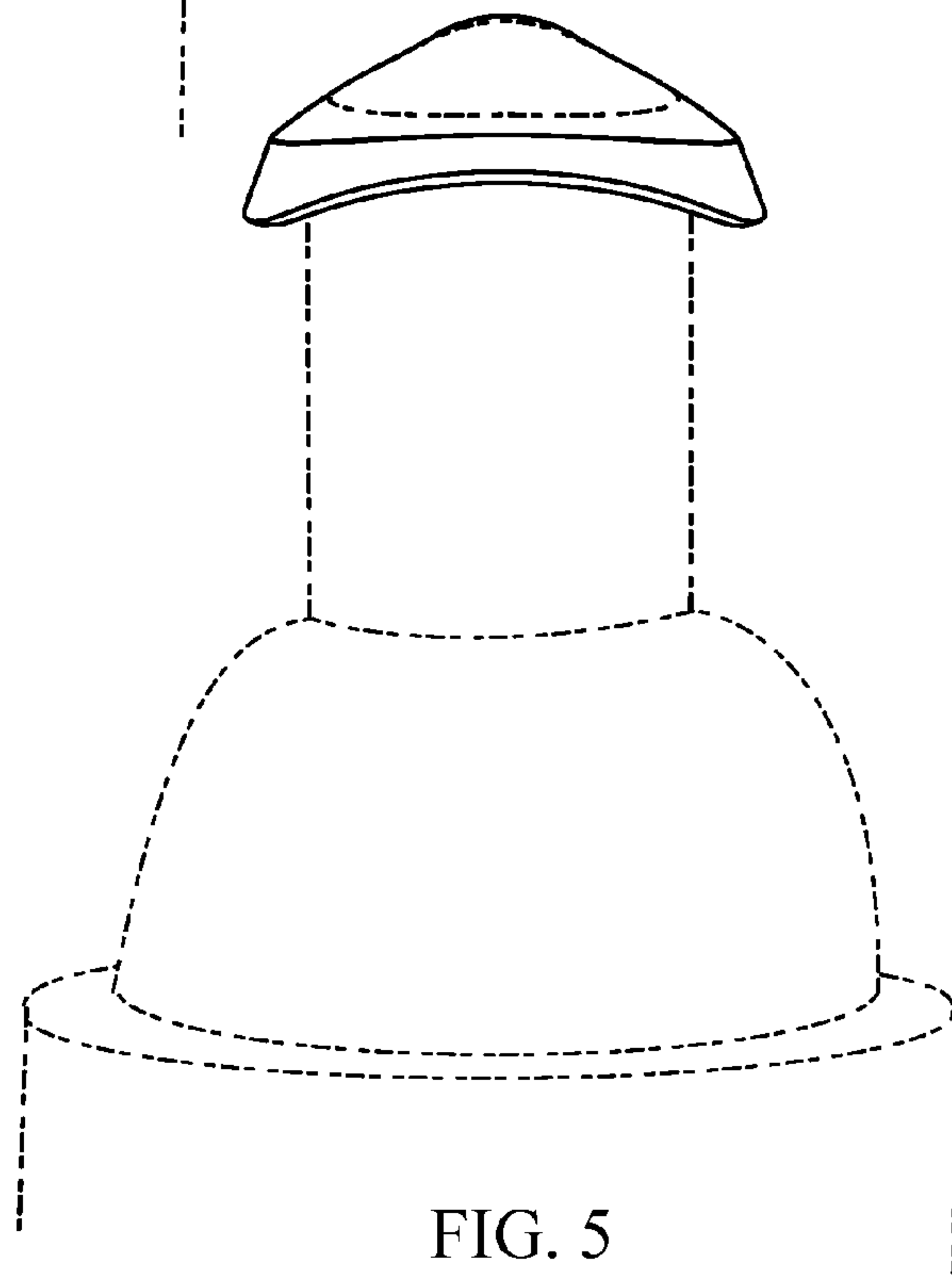


FIG. 5

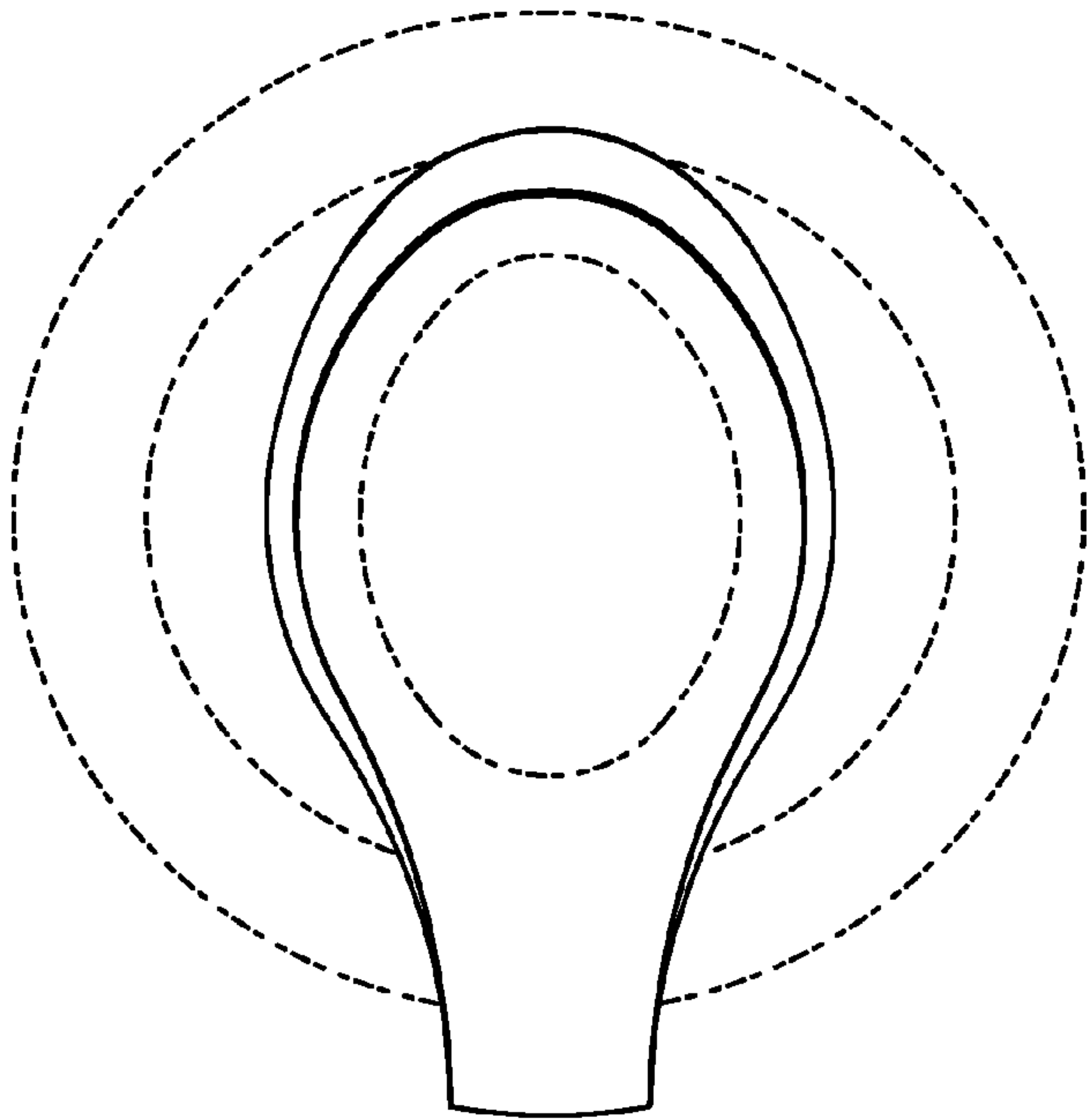


FIG. 6

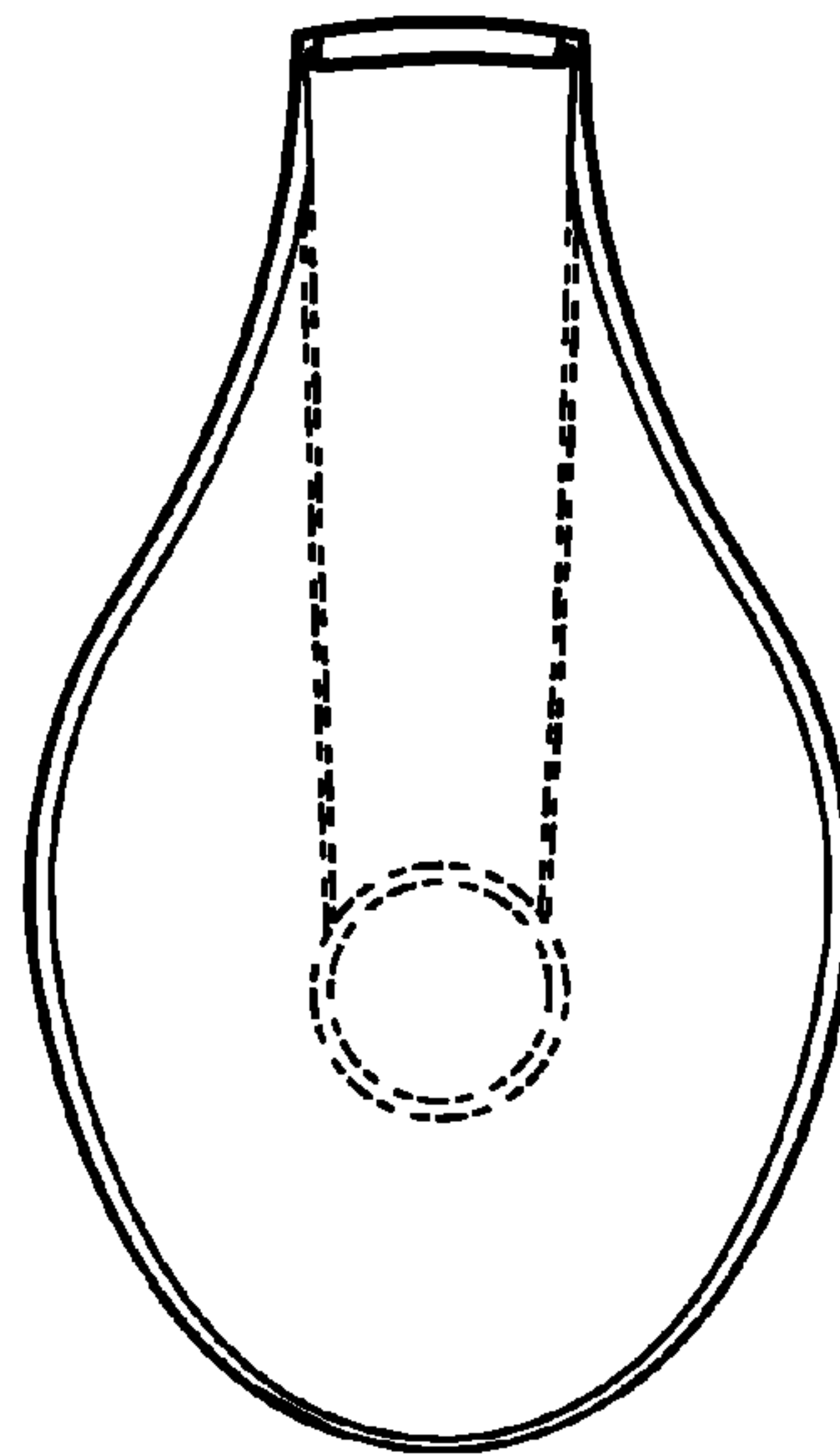


FIG. 7