



US00D588005S

(12) **United States Design Patent**
Boes et al.

(10) **Patent No.:** **US D588,005 S**
(45) **Date of Patent:** **** Mar. 10, 2009**

(54) **DISPENSING HEAD**

(75) Inventors: **Erwin Boes**, Wijchen (NL); **Markus F. Brouwer**, Heesch (NL); **Eelco Han de Man**, Vlijmen (NL)

(73) Assignee: **Meadwestvaco Calmar Netherlands B.V.**, Drunen (NL)

(**) Term: **14 Years**

(21) Appl. No.: **29/324,644**

(22) Filed: **Sep. 17, 2008**

(51) **LOC (9) Cl.** **09-07**

(52) **U.S. Cl.** **D9/448**

(58) **Field of Classification Search** D9/697,
D9/695, 682, 453, 449, 448, 447, 446, 442,
D9/435, 434, 450; 222/94, 92, 490, 383.1,
222/321.7, 321.3, 251, 204, 153.14, 153.13,
222/153.02, 545; 221/288; 215/372; 206/63.5
See application file for complete search history.

(56) **References Cited**

U.S. PATENT DOCUMENTS

D339,527 S *	9/1993	Tobler	D9/448
D381,909 S *	8/1997	Sayers et al.	D9/447
D398,529 S *	9/1998	Mascitelli	D9/448
D399,746 S *	10/1998	Hayataka	D9/448
D414,697 S *	10/1999	Sayers	D9/448
D458,137 S *	6/2002	Bakic	D9/448

D511,095 S *	11/2005	Auer	D9/448
D528,418 S *	9/2006	Kuo	D9/448
D539,143 S *	3/2007	Arminak	D9/448
D541,654 S *	5/2007	Pietrowski et al.	D9/448
D559,682 S *	1/2008	Meeker et al.	D9/448

* cited by examiner

Primary Examiner—Susan Bennett Hattan

(57) **CLAIM**

I claim the ornamental design for a dispensing head, as shown and described.

DESCRIPTION

FIG. 1 is a perspective view of a dispensing head showing our new design;

FIG. 2 is a side view of the dispensing head shown in FIG. 1;

FIG. 3 is a side view of the dispensing head shown in FIG. 1;

FIG. 4 is a front view of the dispensing head shown in FIG. 1;

FIG. 5 is a rear view of the dispensing head shown in FIG. 1;

FIG. 6 is a top view of the dispensing head shown in FIG. 1; and,

FIG. 7 is a bottom view of the dispensing head shown in FIG. 1.

The broken lines in the drawings depict environmental subject matter only and form no part of the claimed design.

1 Claim, 5 Drawing Sheets

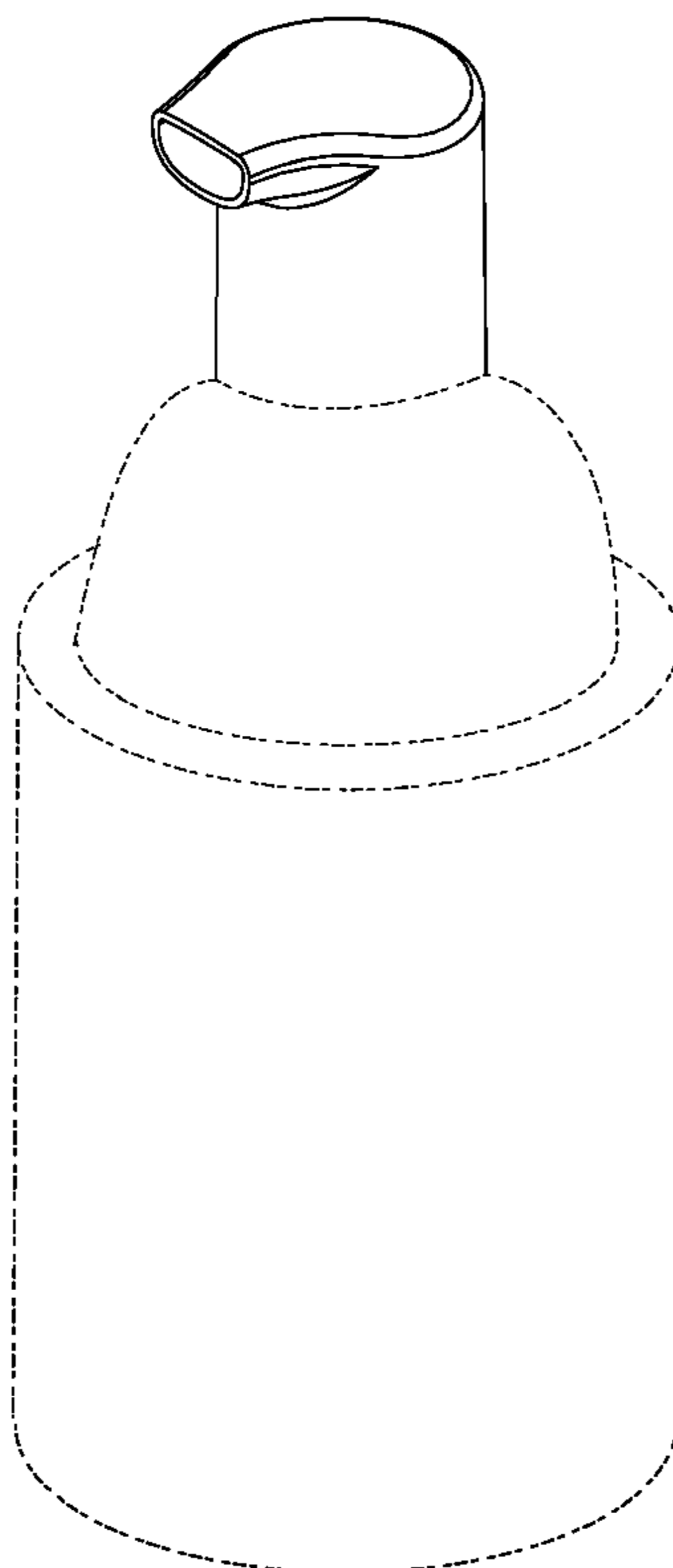
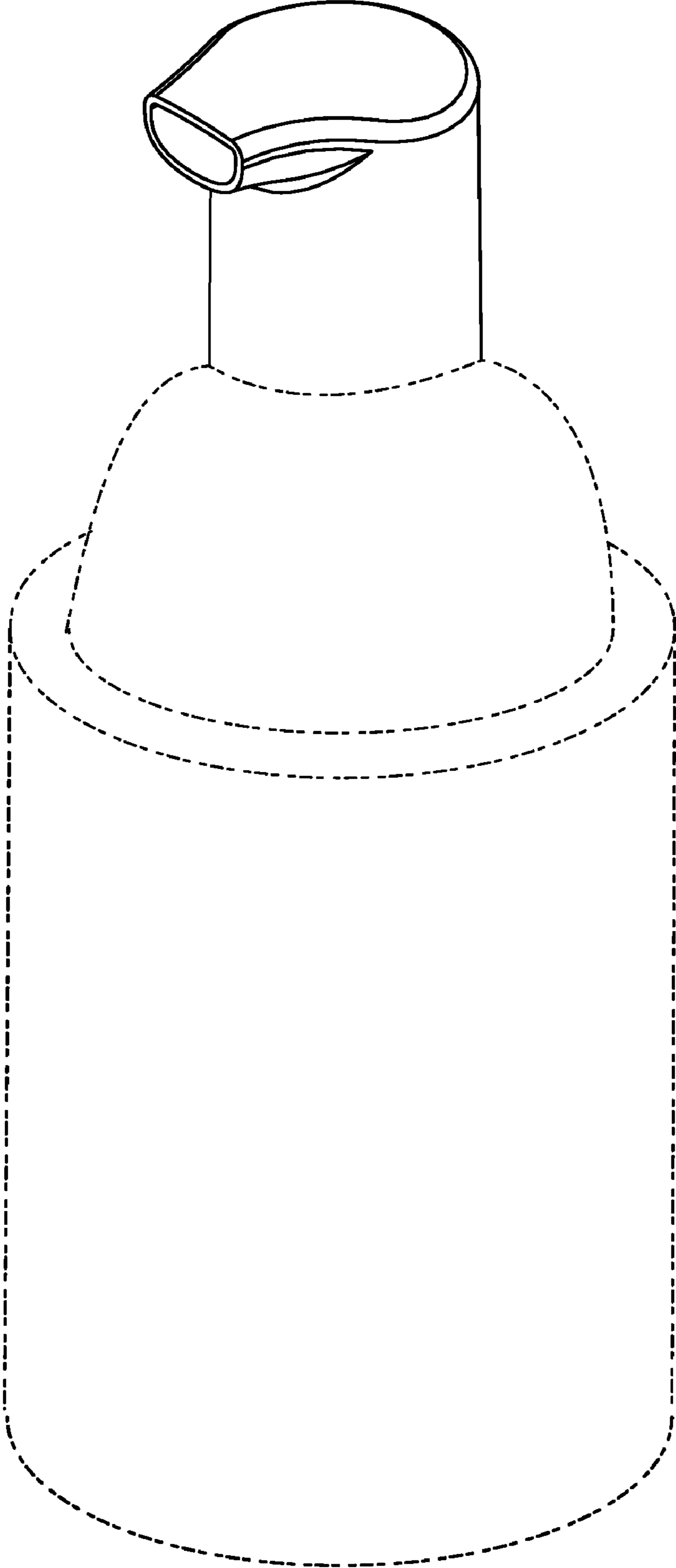


FIG. 1



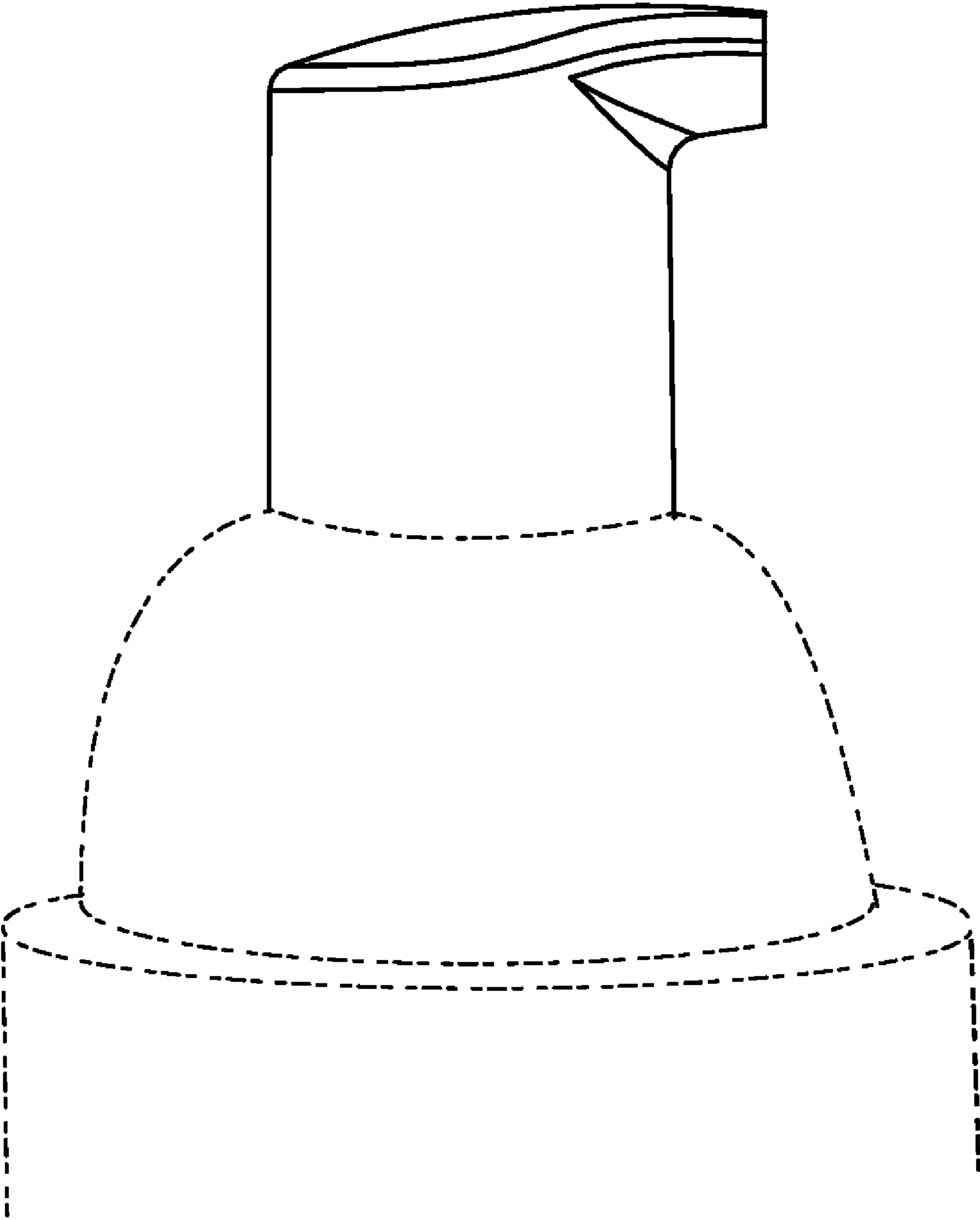


FIG. 2

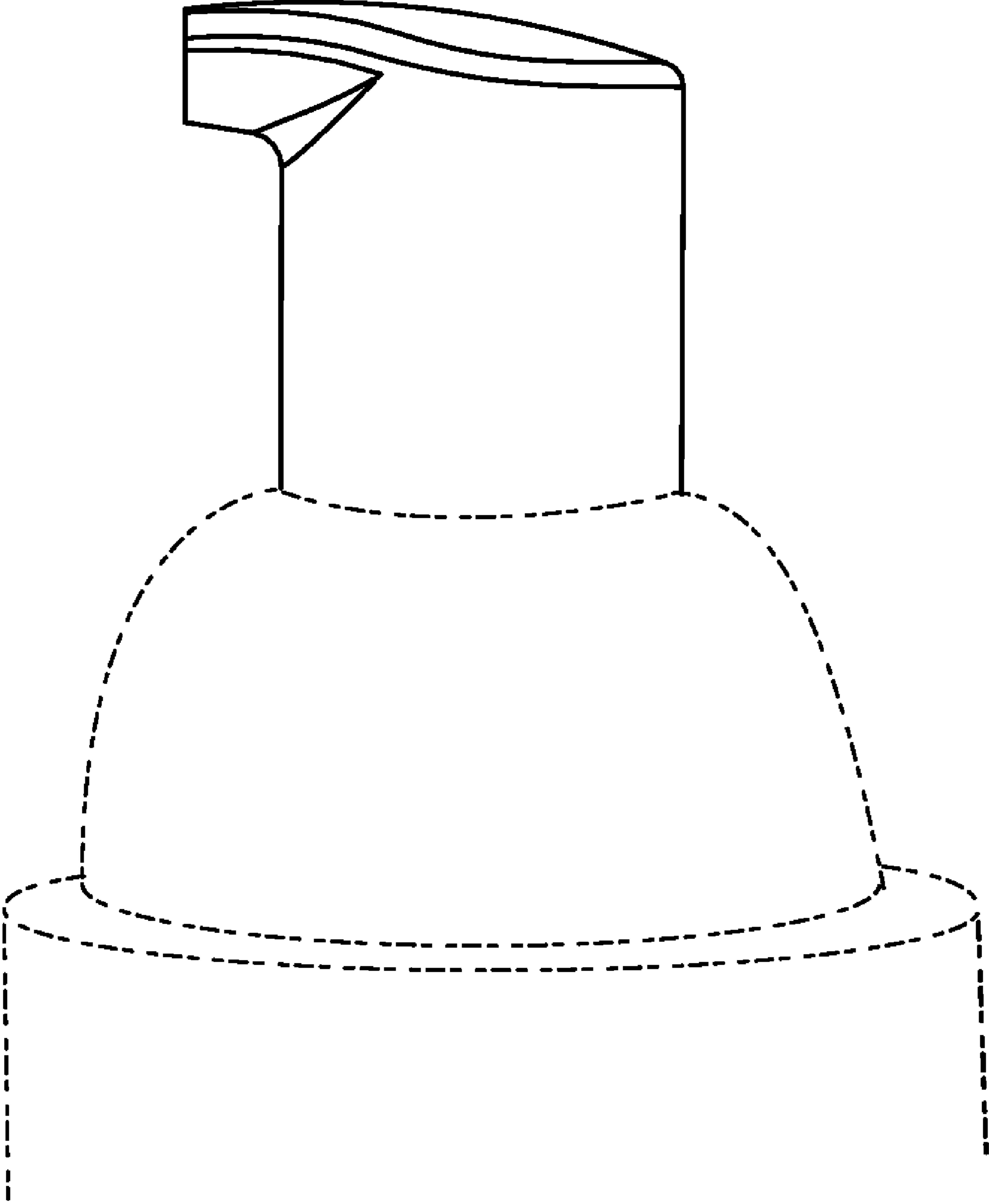


FIG. 3

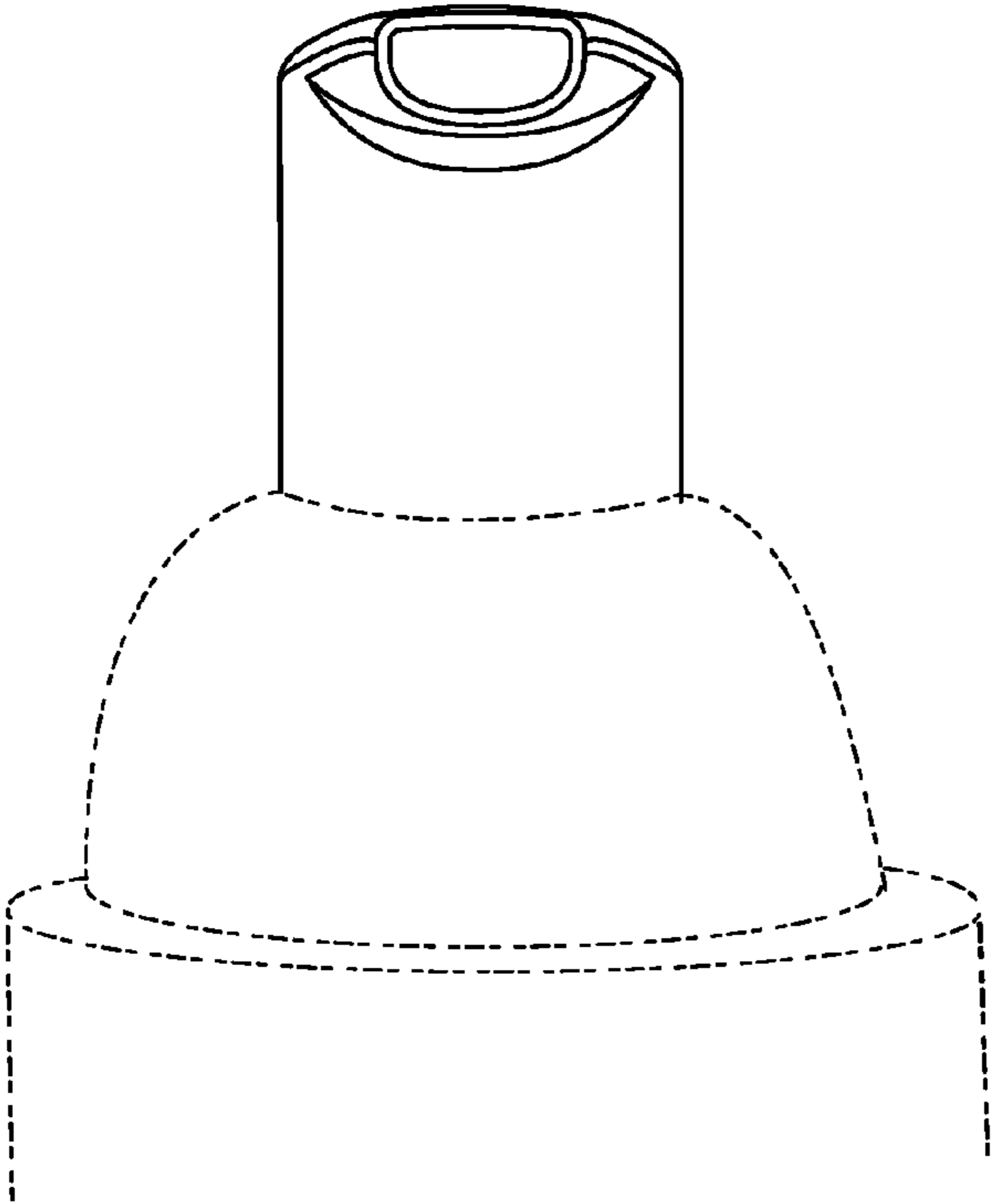


FIG. 4

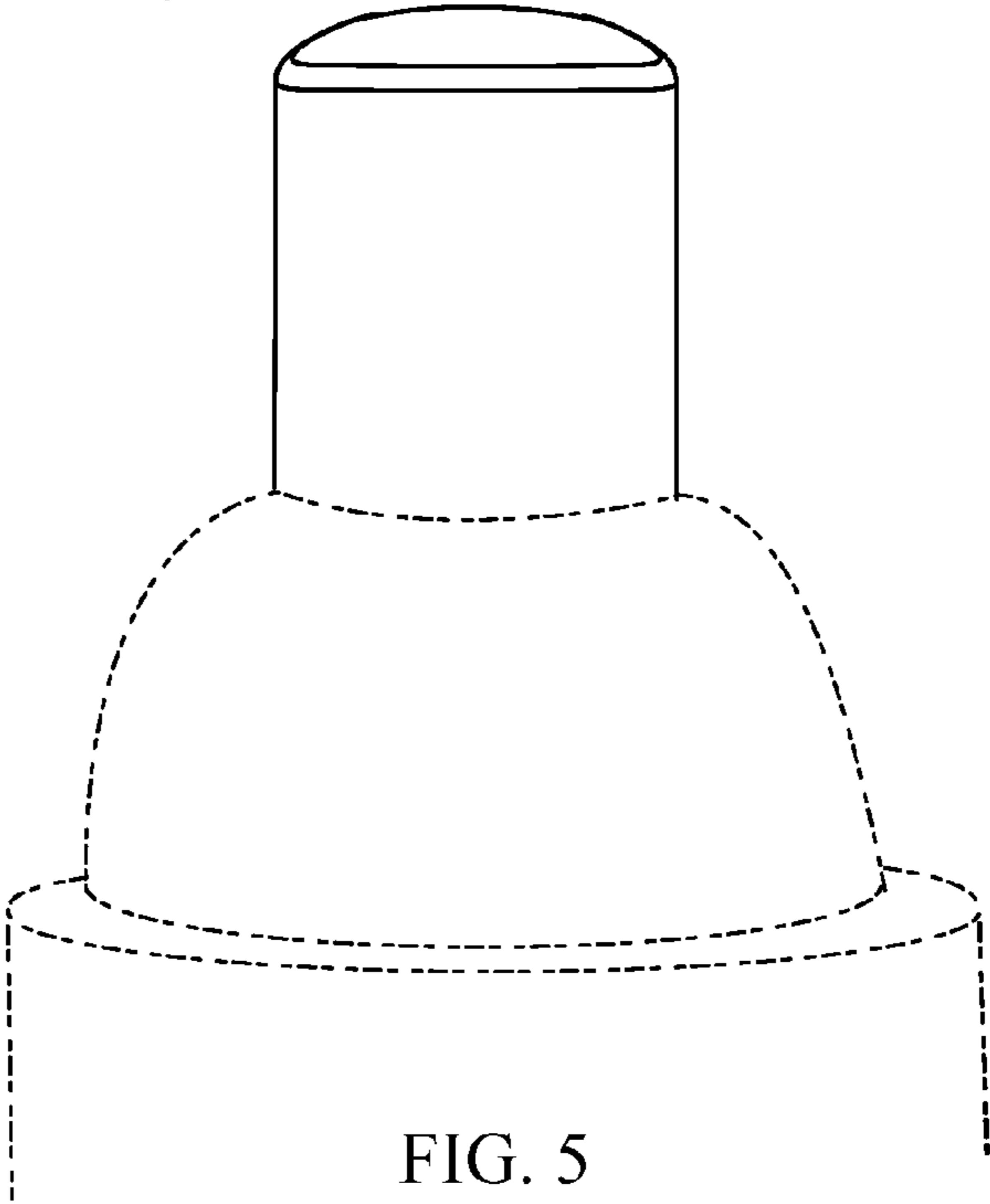


FIG. 5

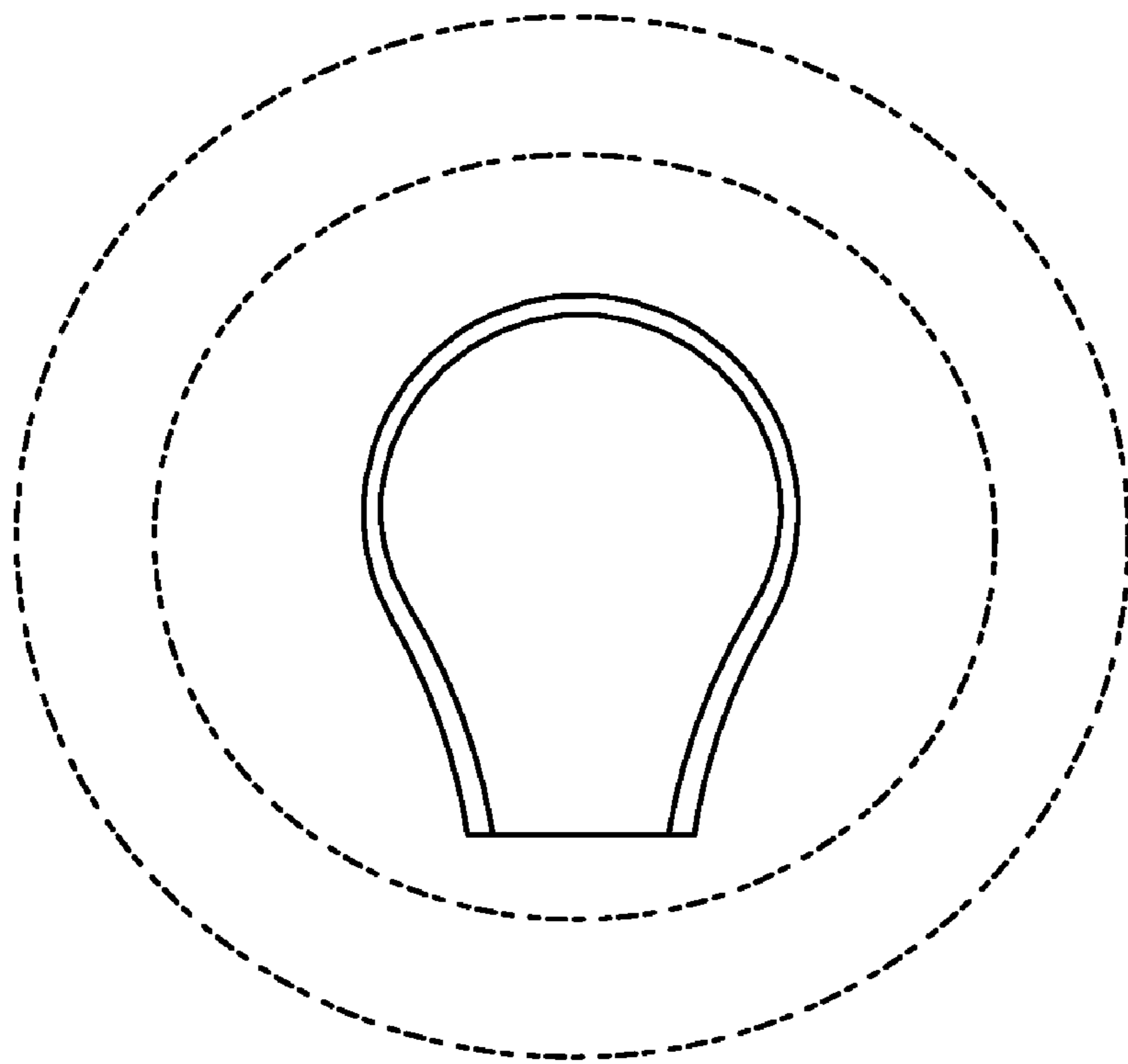


FIG. 6

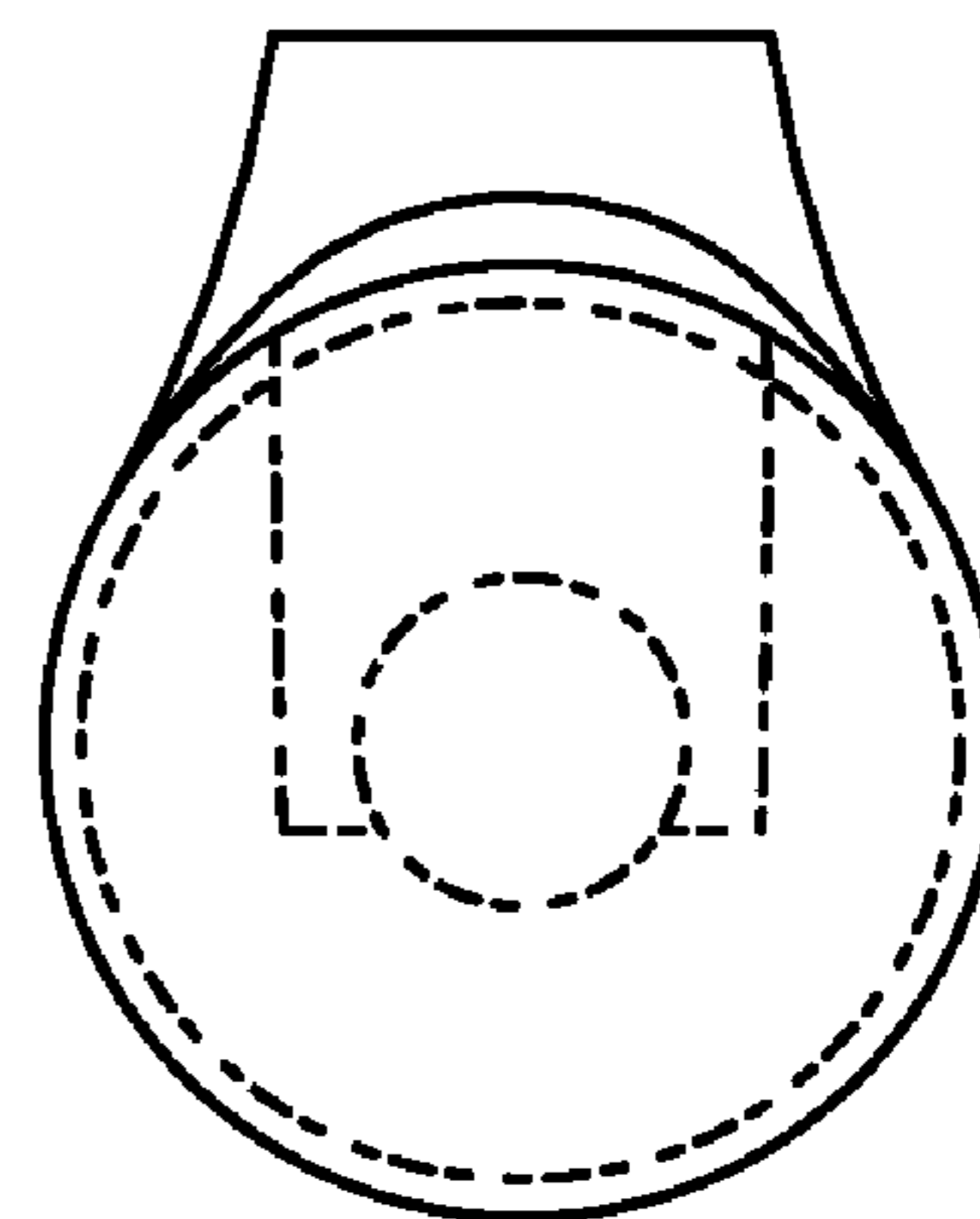


FIG. 7