



US00D588004S

(12) **United States Design Patent**
Hildebrand

(10) **Patent No.:** **US D588,004 S**
(45) **Date of Patent:** **** Mar. 10, 2009**

(54) **TRIGGER SPRAYER**

(75) Inventor: **George R. Hildebrand**, Independence, MO (US)

(73) Assignee: **Meadwestvaco Calmar, Inc.**, Grandview, MO (US)

(**) Term: **14 Years**

(21) Appl. No.: **29/321,556**

(22) Filed: **Jul. 18, 2008**

(51) **LOC (9) Cl.** **09-07**

(52) **U.S. Cl.** **D9/448**

(58) **Field of Classification Search** D9/686,
D9/685, 682, 448; D8/51; D23/226, 213;
417/411; 401/190; 239/337, 120; 222/402.11,
222/383.3, 383.1, 323, 179.5, 109, 1
See application file for complete search history.

(56) **References Cited**

U.S. PATENT DOCUMENTS

D525,123	S *	7/2006	Walters et al.	D9/448
D532,299	S *	11/2006	Kuo	D9/448
7,249,692	B2 *	7/2007	Walters et al.	222/153.11
D573,021	S *	7/2008	Ohshima	D9/448
D573,463	S *	7/2008	Ohshima	D9/448
D580,760	S *	11/2008	Costa Quintas	D9/448
2006/0113329	A1 *	6/2006	Walters et al.	222/383.1
2006/0153708	A1 *	7/2006	Sweeton et al.	417/411

* cited by examiner

Primary Examiner—Susan B Hattan

(57) **CLAIM**

I claim the ornamental design for a trigger sprayer, as shown and described.

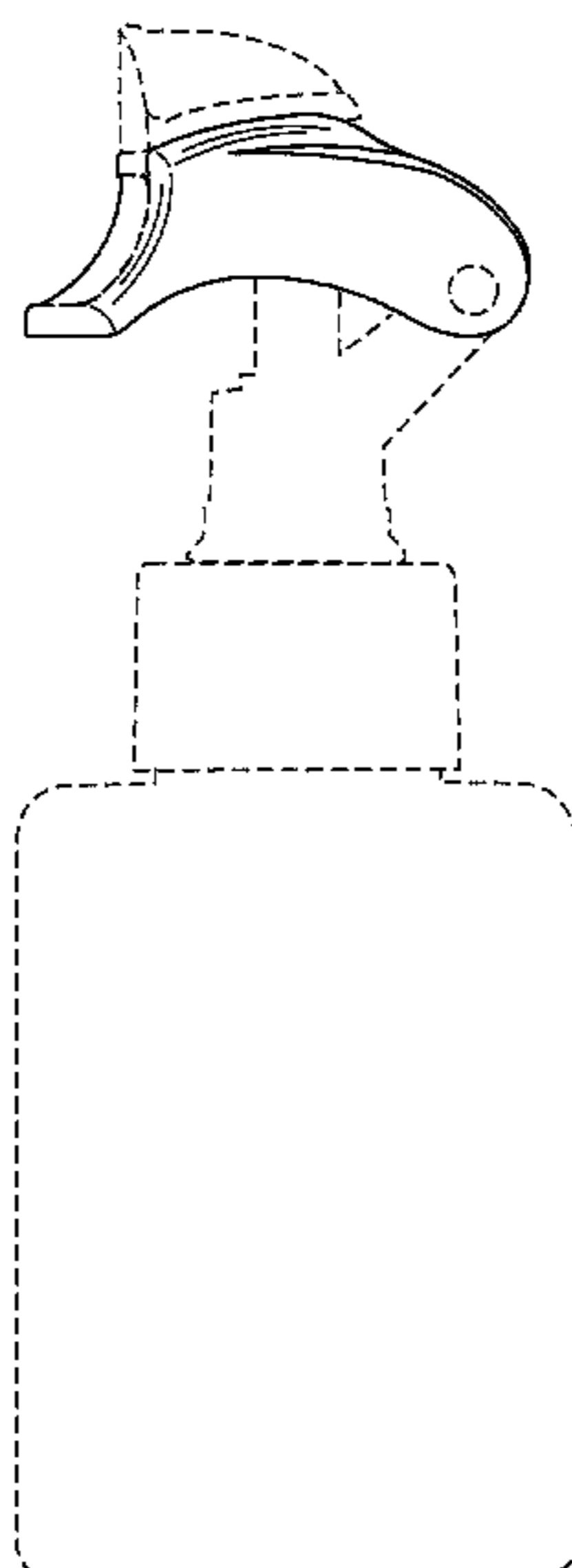
DESCRIPTION

FIG. 1 is a side view of a trigger sprayer showing my new design;

FIG. 2 is a front view of the trigger sprayer shown in FIG. 1;
 FIG. 3 is a rear view of the trigger sprayer shown in FIG. 1;
 FIG. 4 is a top view of the trigger sprayer shown in FIG. 1;
 FIG. 5 is a bottom view of the trigger sprayer shown in FIG. 1;
 FIG. 6 is a perspective view of the trigger sprayer shown in FIG. 1 without a bottle;
 FIG. 7 is a side view of a trigger sprayer shown in FIG. 1 having an alternate nozzle configuration;
 FIG. 8 is a front view of the trigger sprayer shown in FIG. 7;
 FIG. 9 is a rear view of the trigger sprayer shown in FIG. 7;
 FIG. 10 is a top view of the trigger sprayer shown in FIG. 7;
 FIG. 11 is a bottom view of the trigger sprayer shown in FIG. 7;
 FIG. 12 is a perspective view of the trigger sprayer shown in FIG. 7 without a bottle;
 FIG. 13 is another side view of a trigger sprayer showing my new design without broken line representations;
 FIG. 14 is a front view of the trigger sprayer shown in FIG. 13;
 FIG. 15 is a top view of the trigger sprayer shown in FIG. 13;
 FIG. 16 is a perspective view of the trigger sprayer shown in FIG. 13;
 FIG. 17 is another front view of the trigger sprayer shown in FIG. 1 having an alternate finger pad represented in broken lines; and,
 FIG. 18 is another front view of the trigger sprayer shown in FIG. 1 having an alternate finger pad.

The broken line representations in FIGS. 1 through 18 depict environmental subject matter only and form no part of the claimed design.

1 Claim, 8 Drawing Sheets



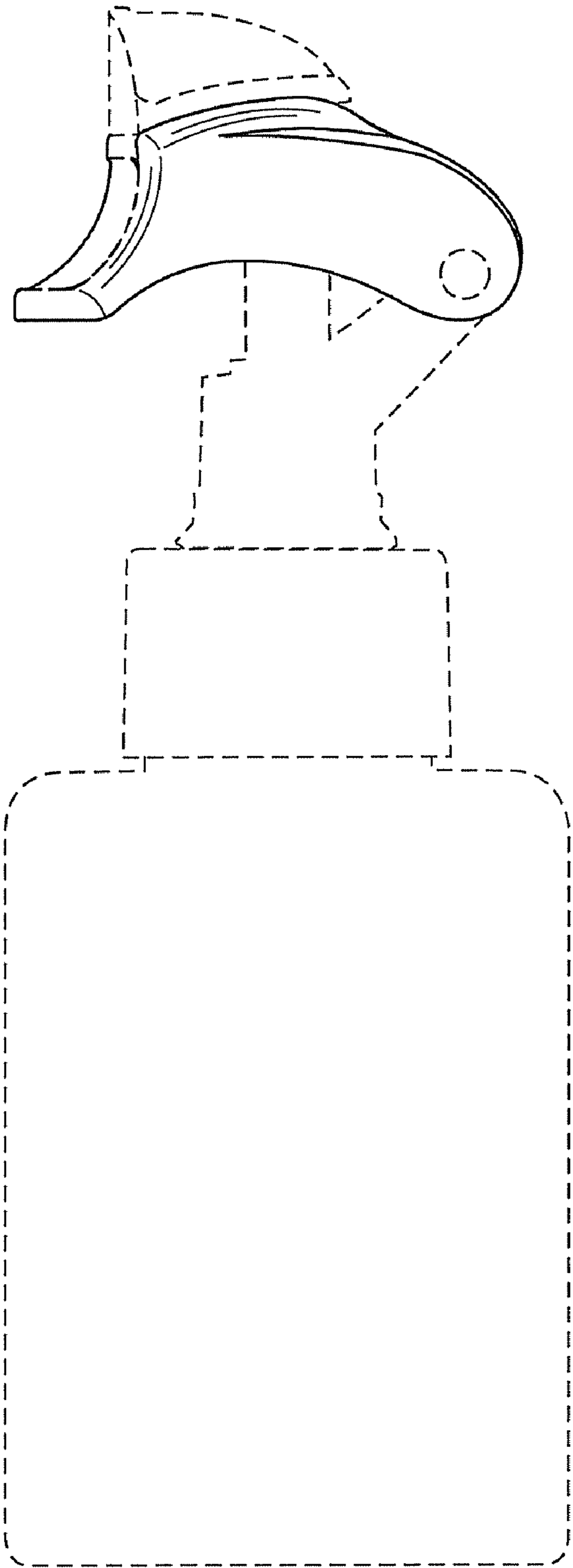


FIG. 1

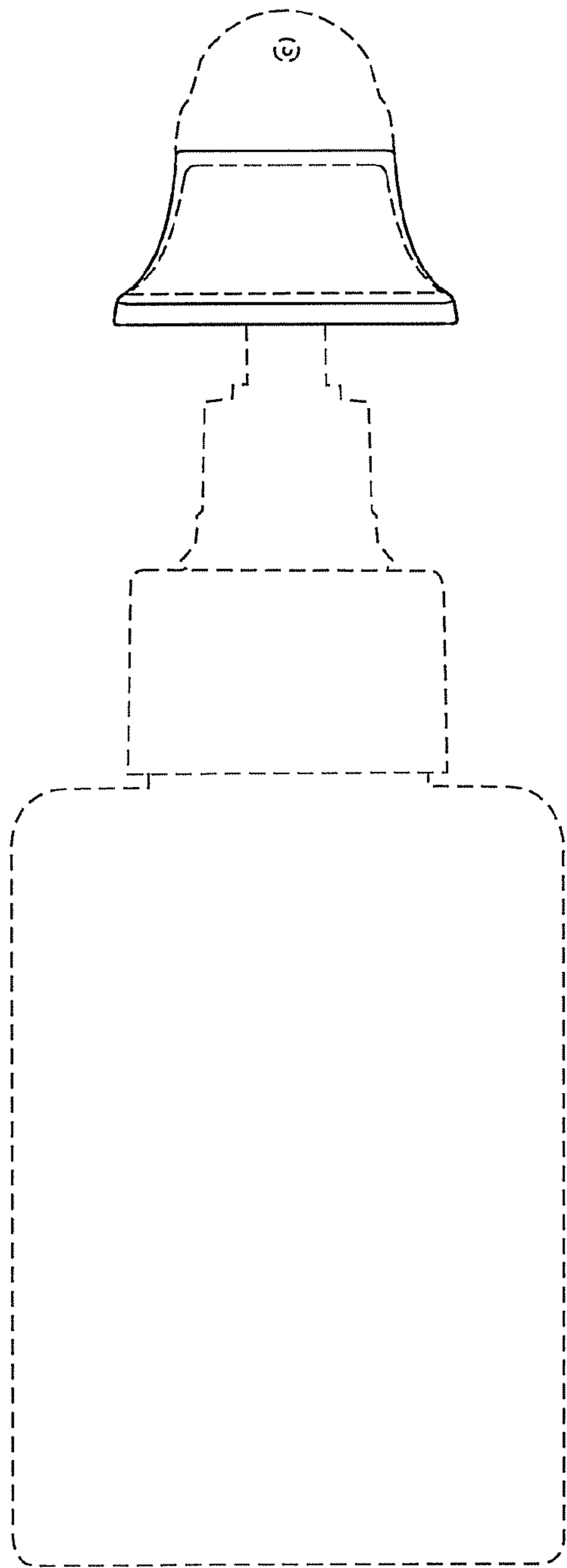


FIG. 2

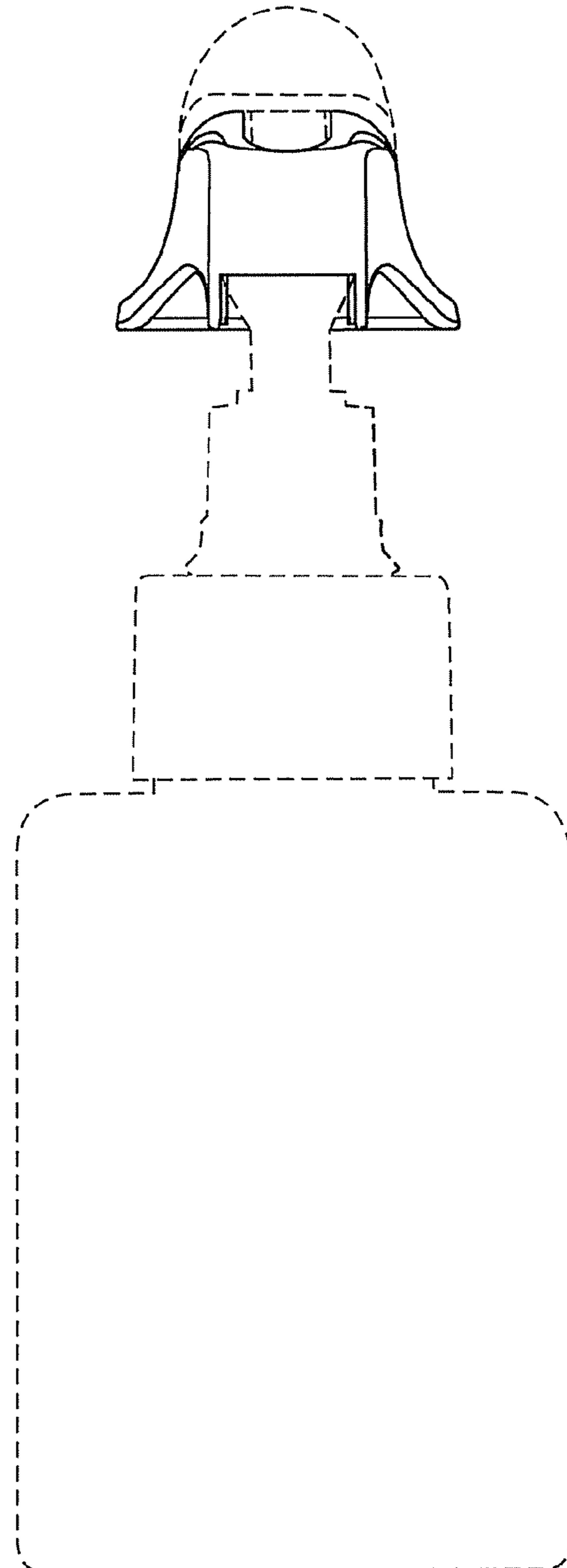


FIG. 3

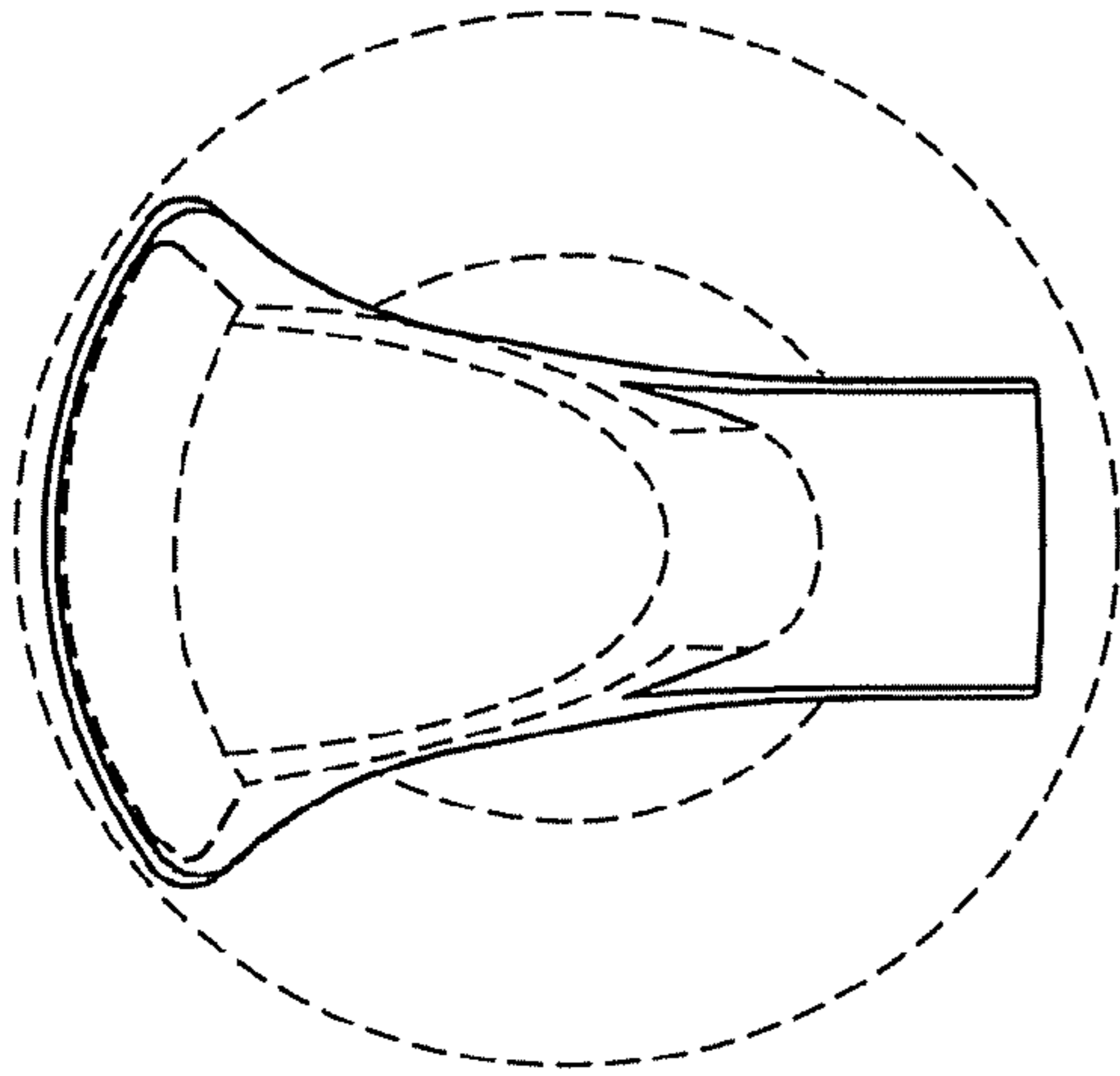


FIG. 4

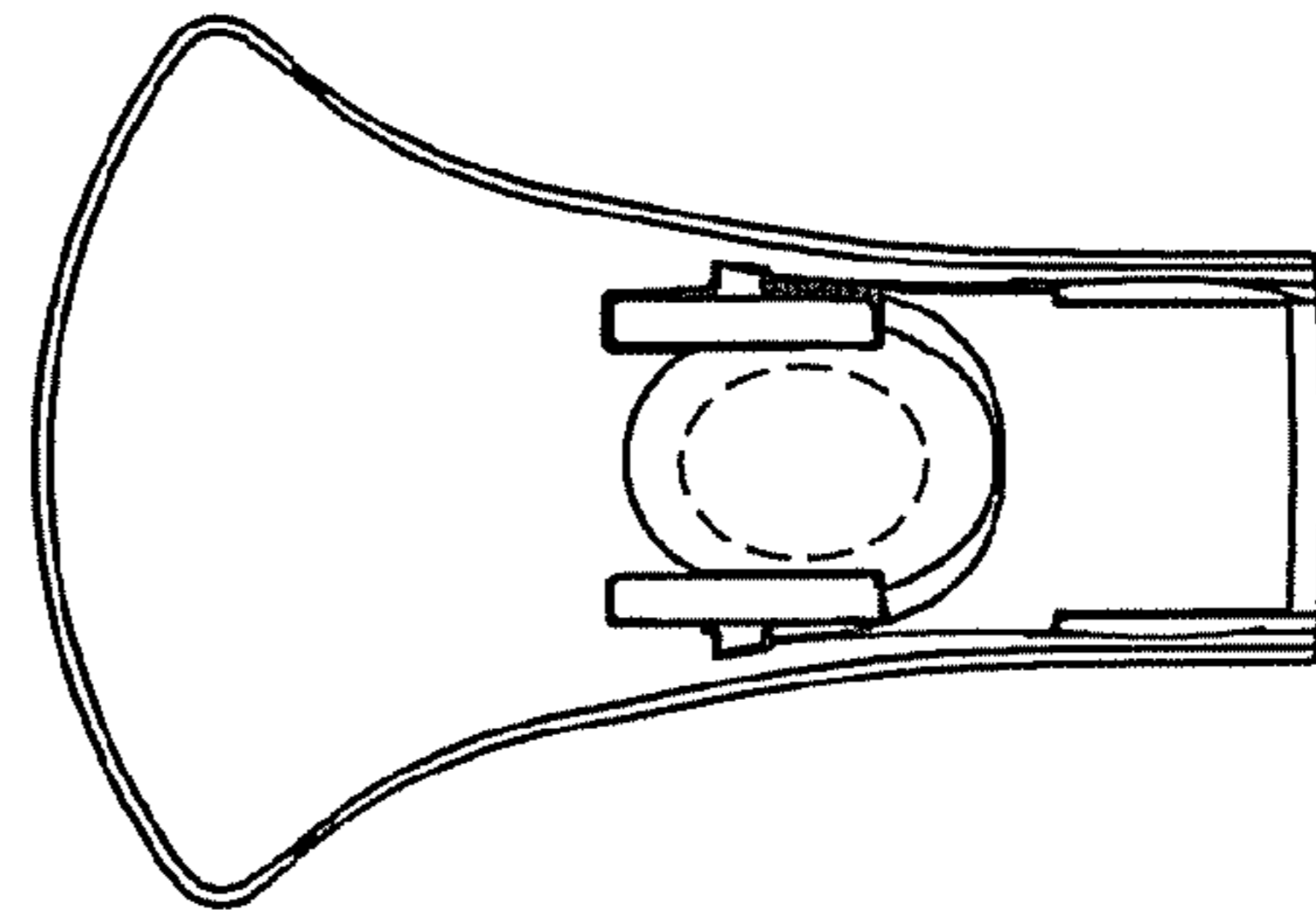


FIG. 5

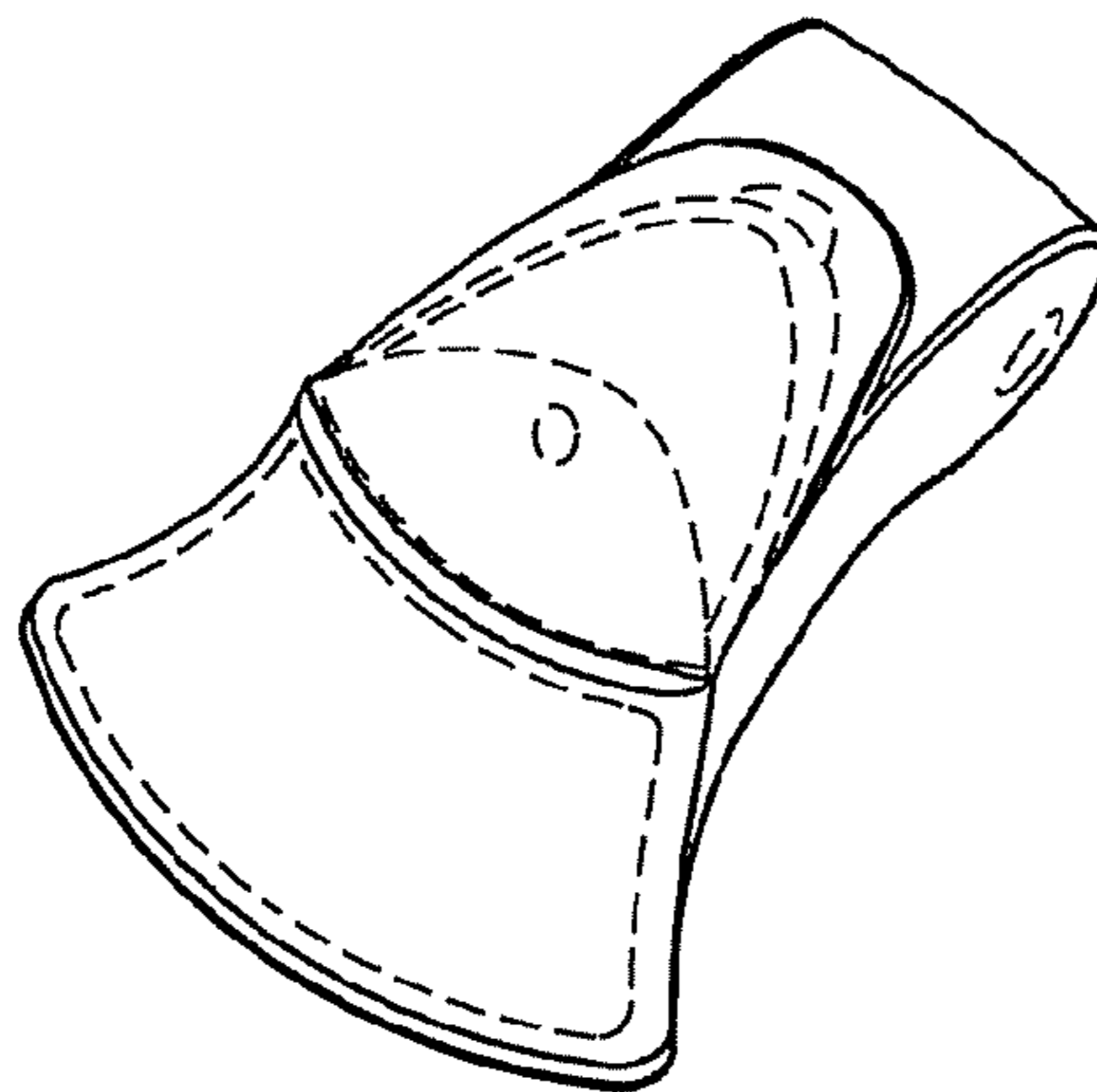


FIG. 6

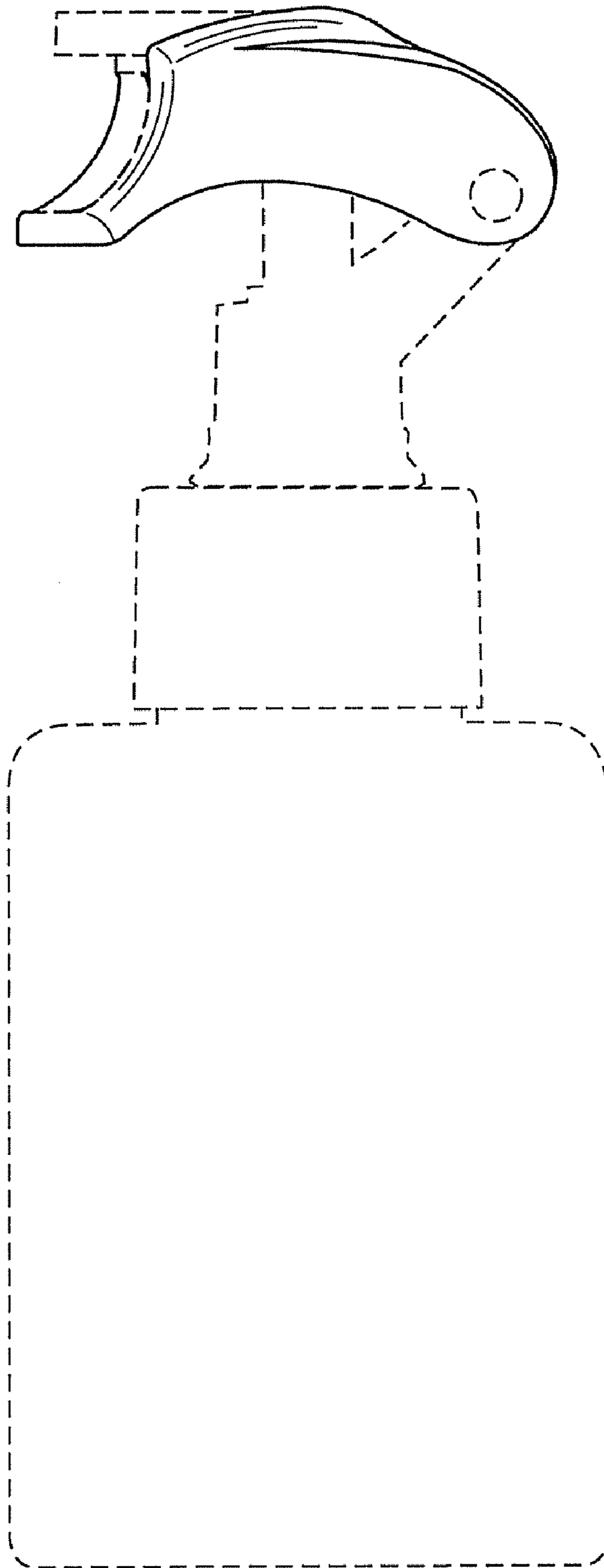


FIG. 7

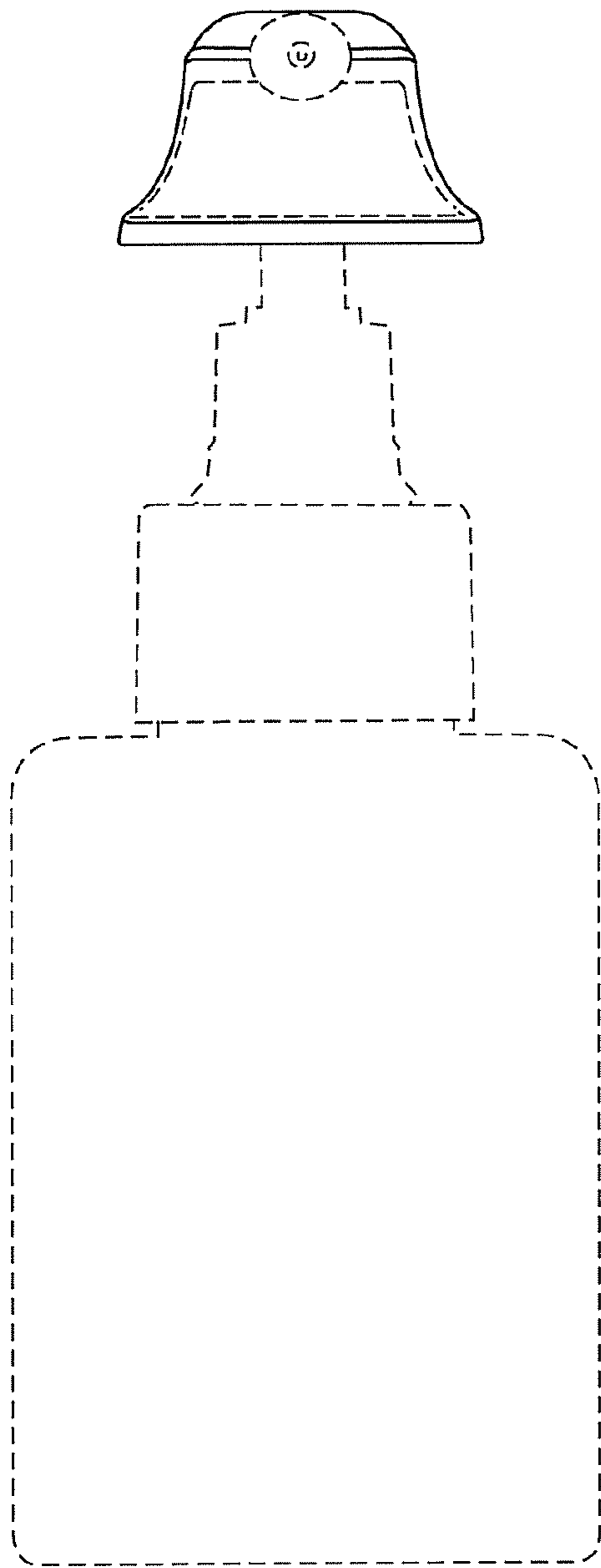


FIG. 8

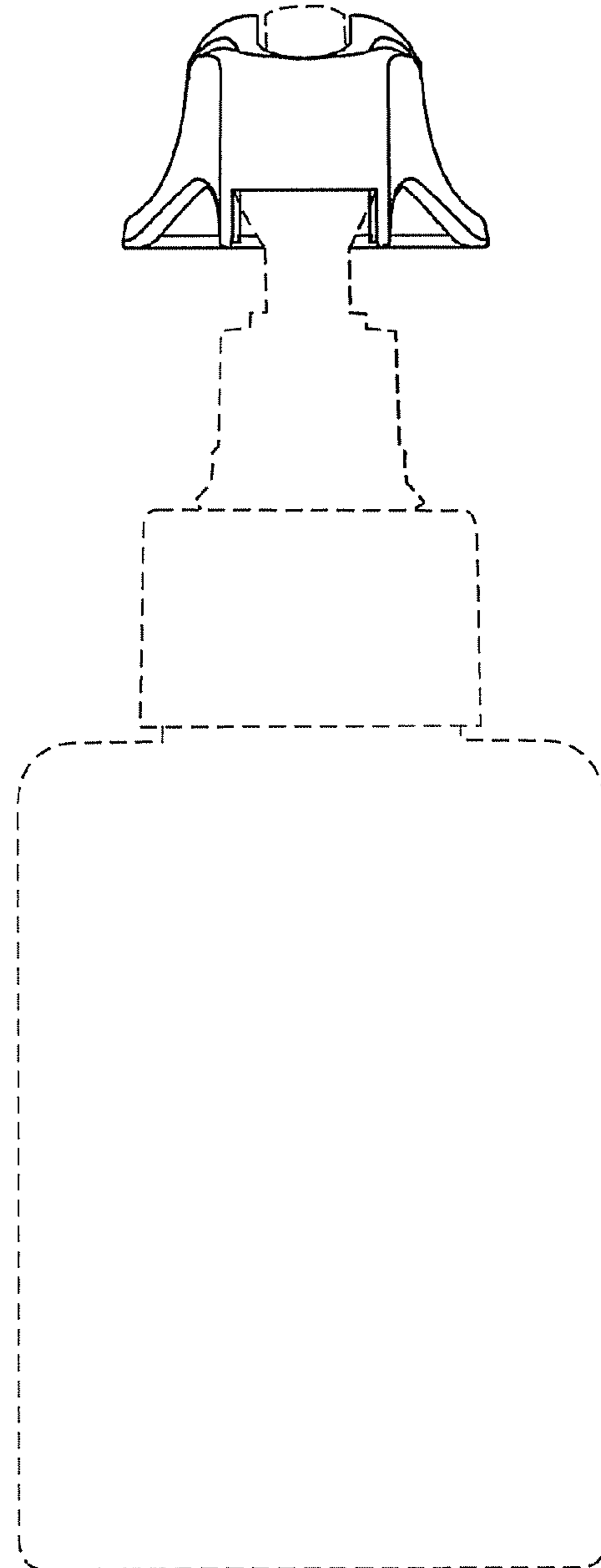


FIG. 9

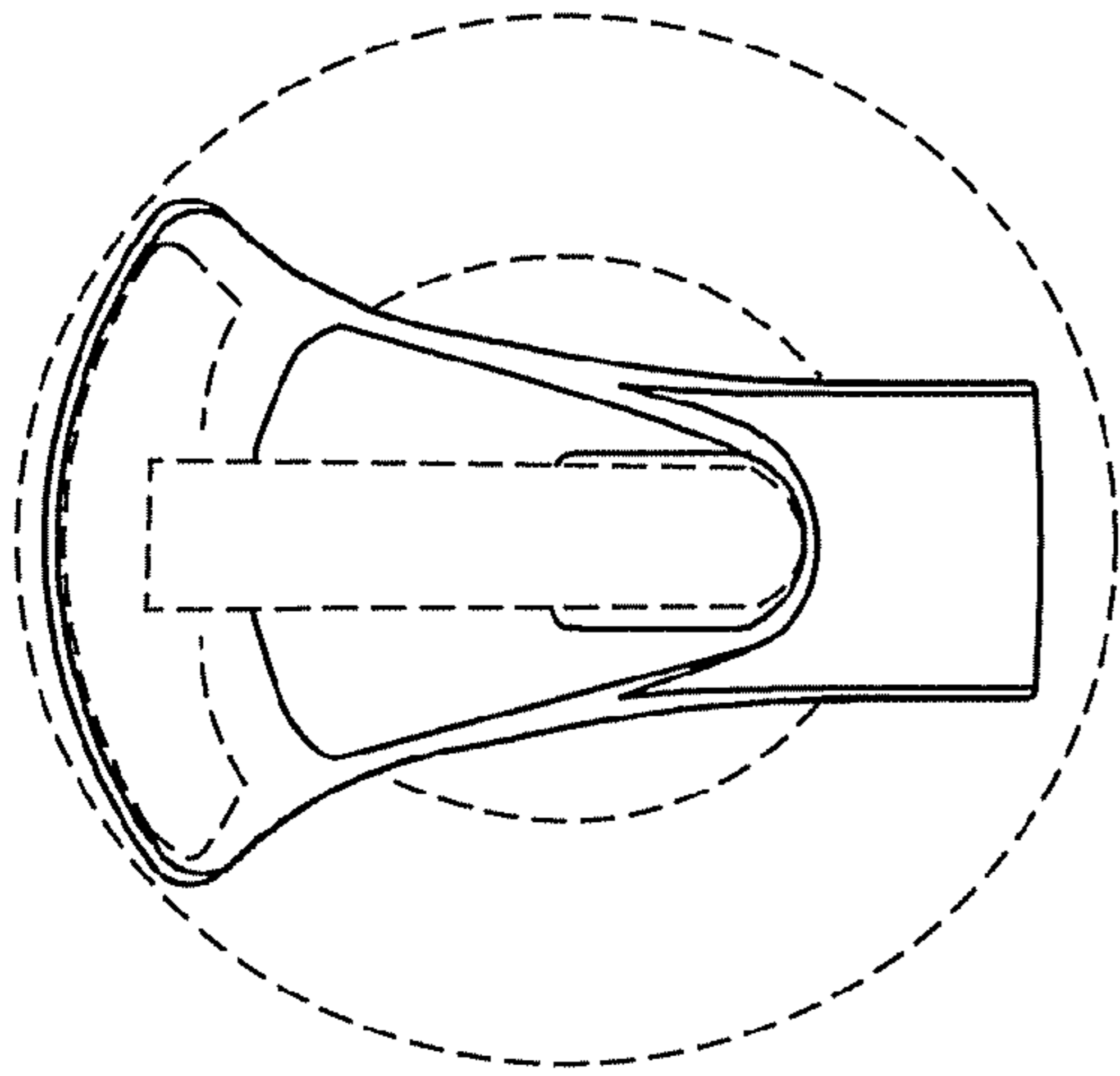


FIG. 10

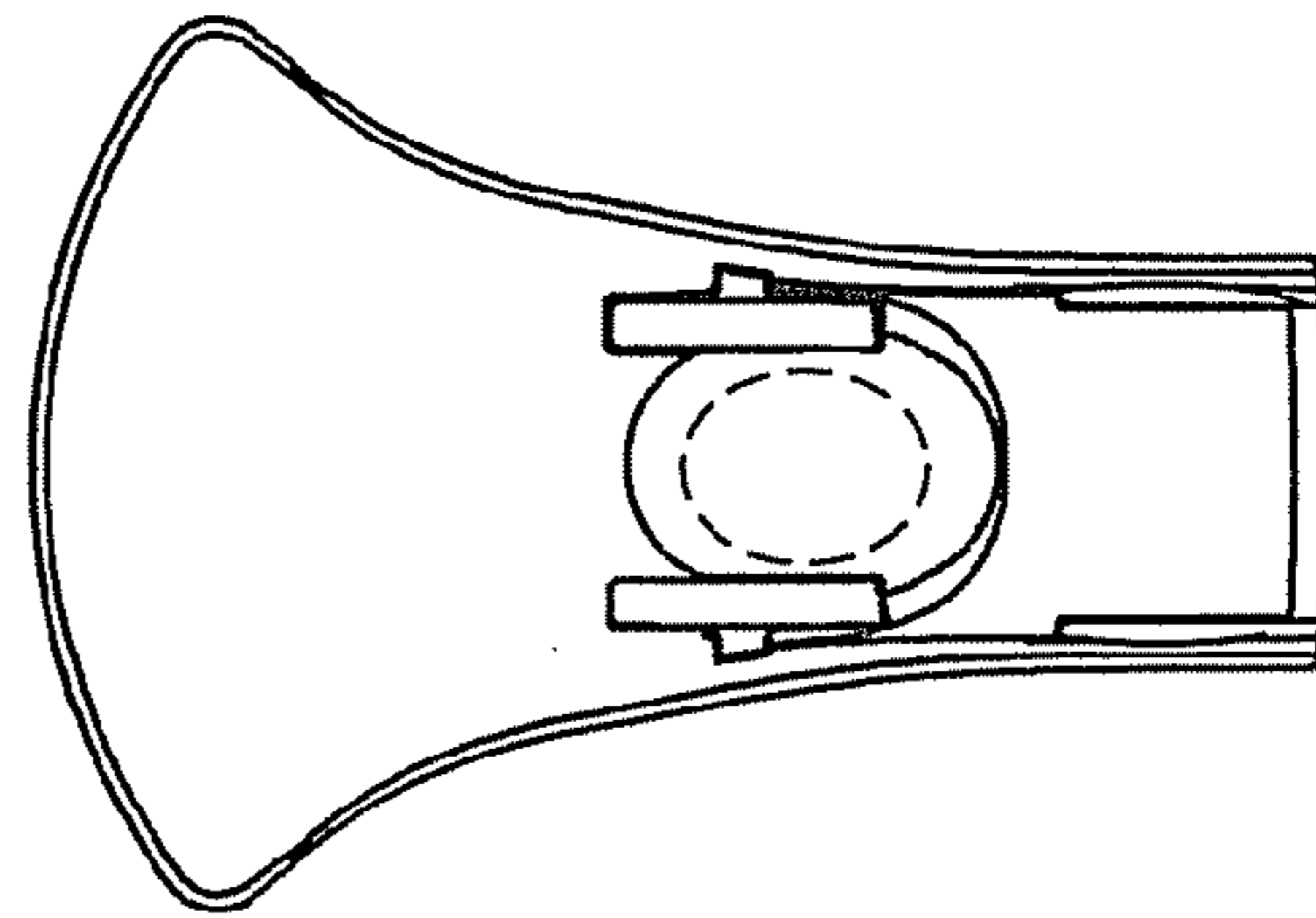


FIG. 11

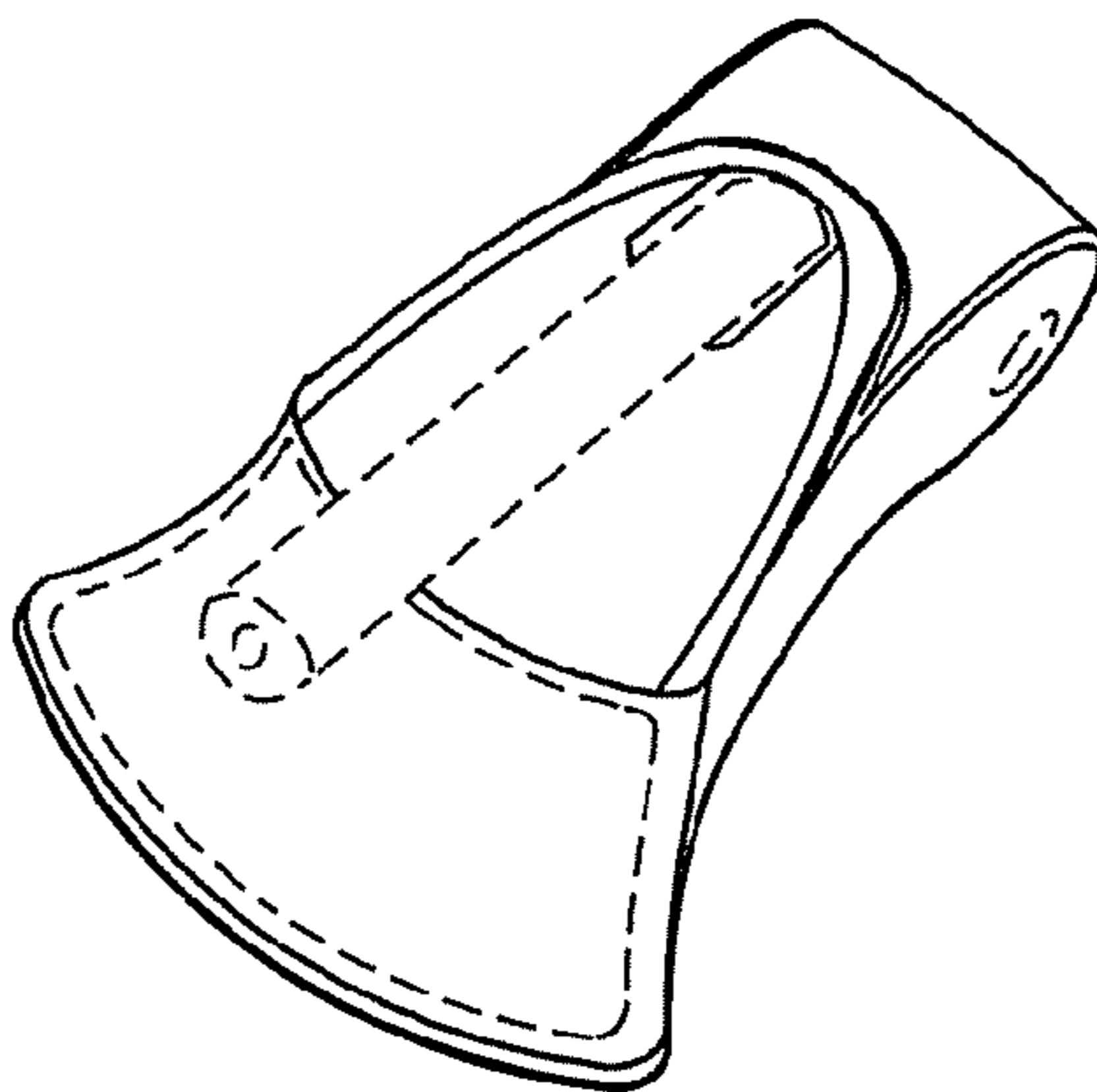


FIG. 12

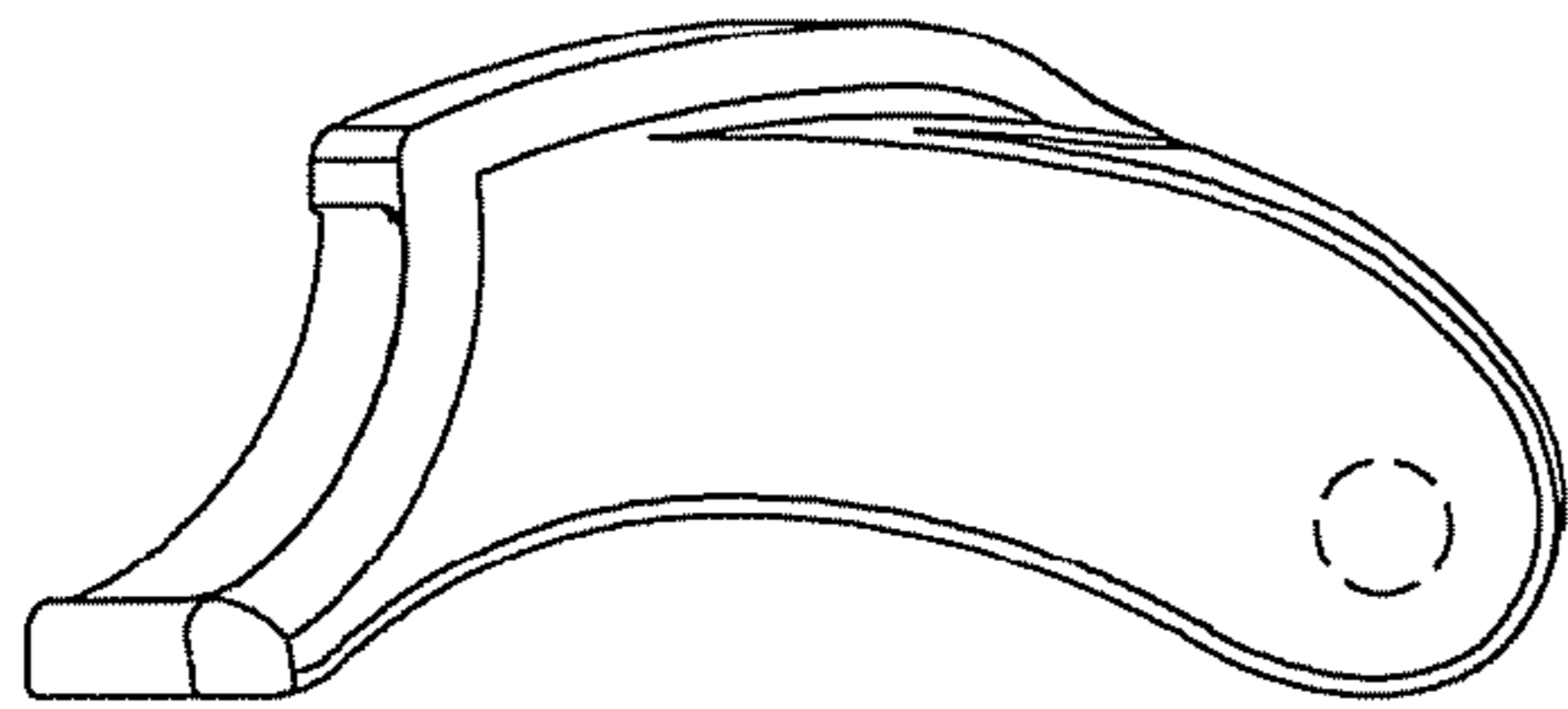


FIG. 13

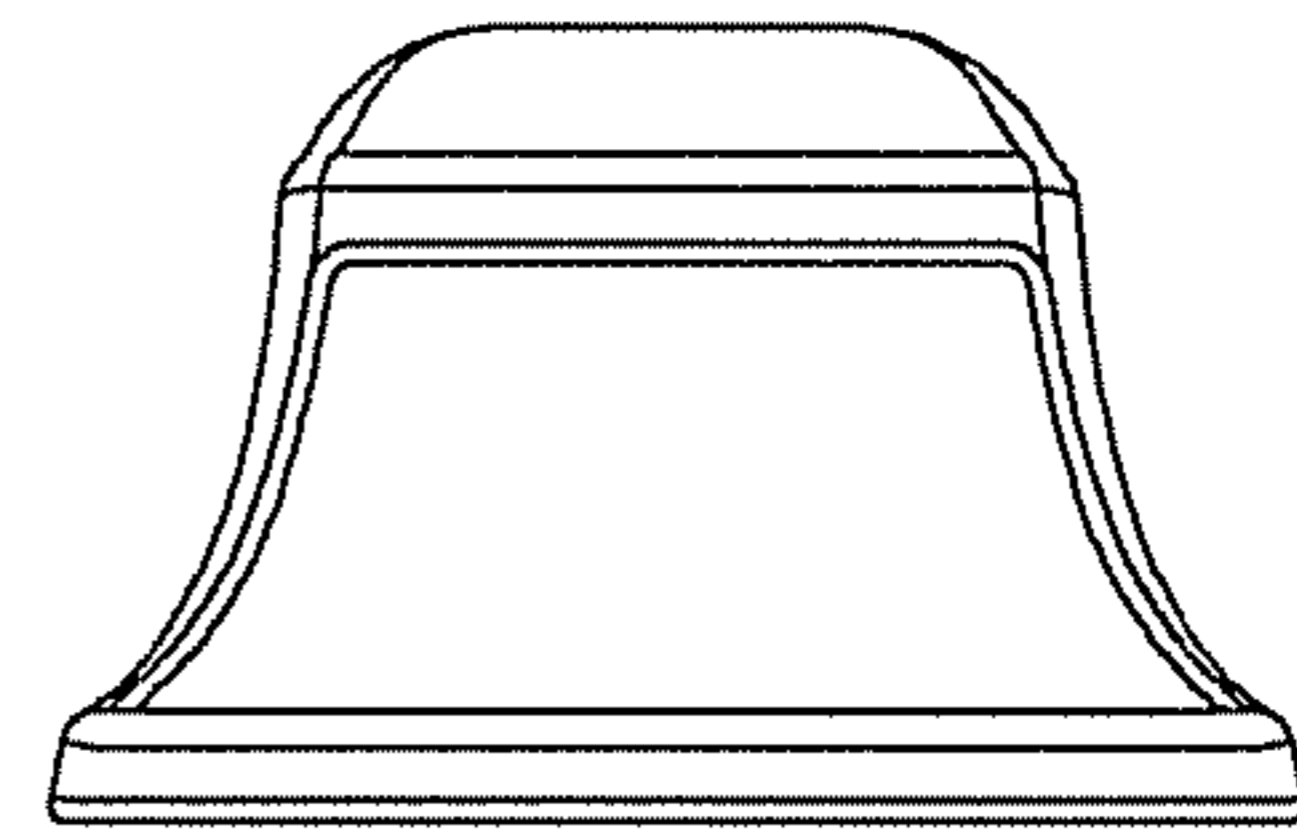


FIG. 14

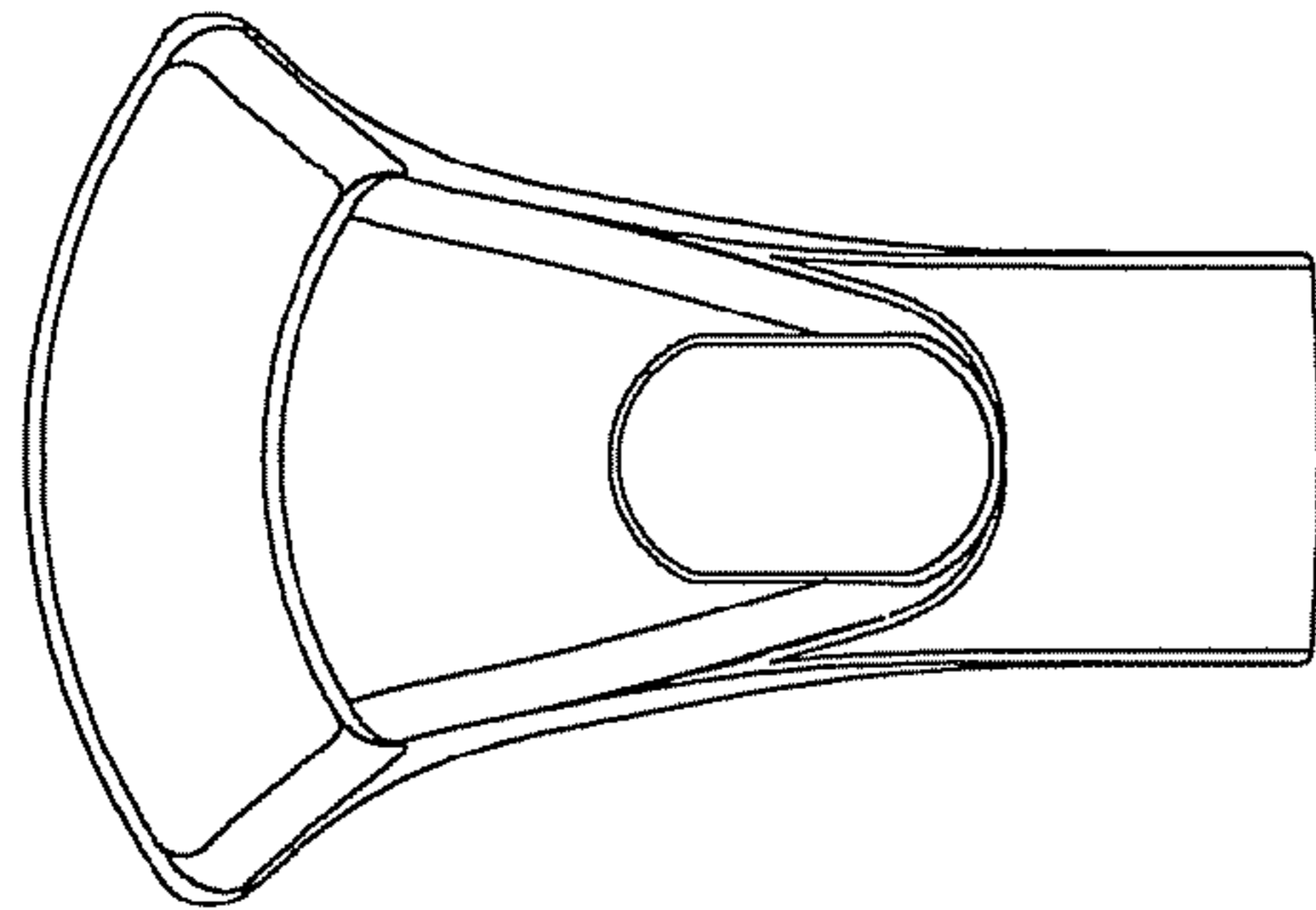


FIG. 15

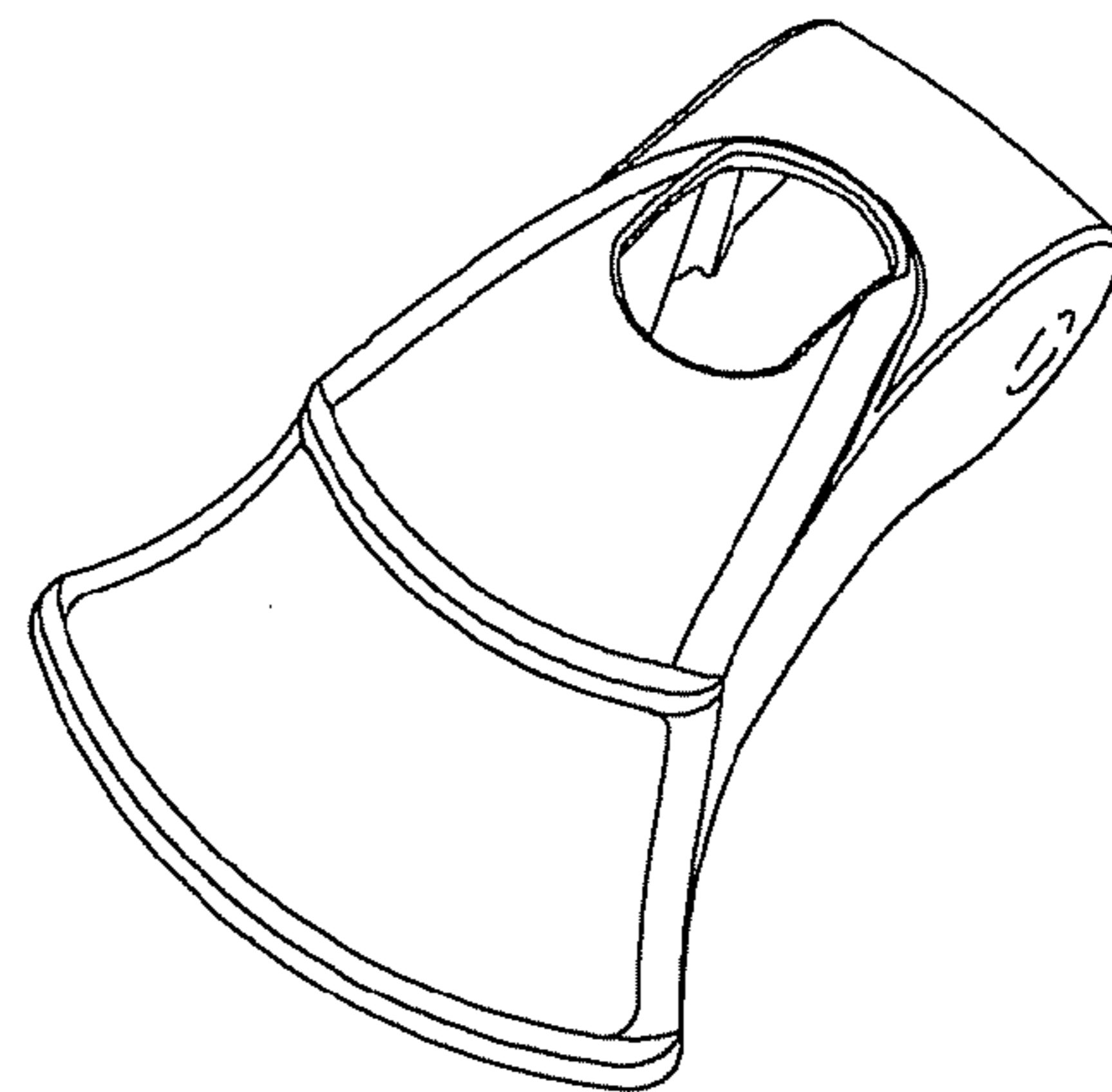


FIG. 16

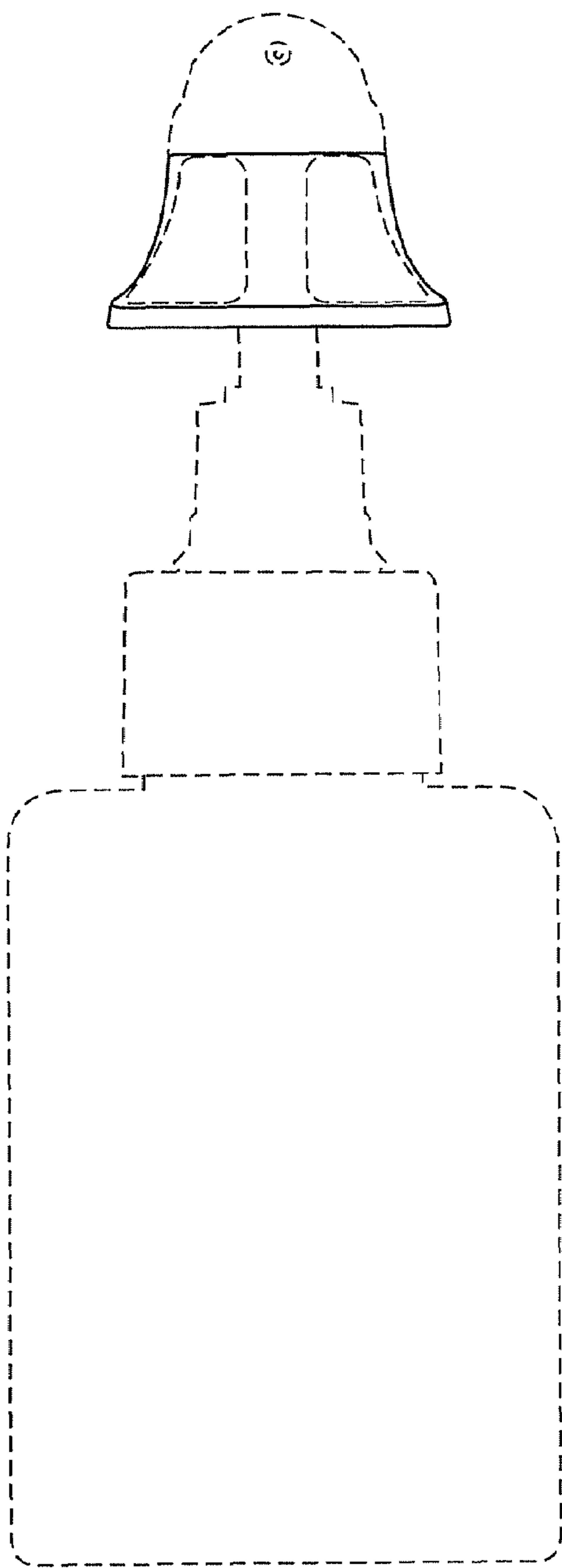


FIG. 17

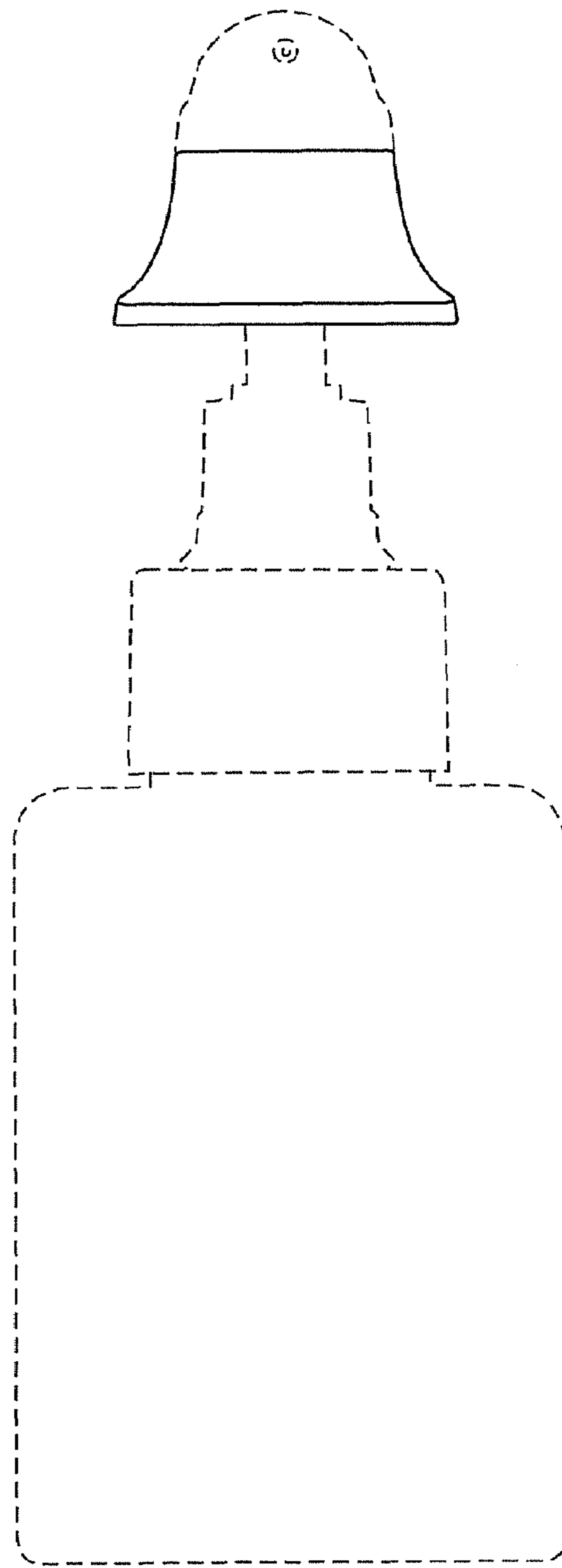


FIG. 18