



US00D588003S

(12) **United States Design Patent**
Sweeton et al.

(10) **Patent No.:** **US D588,003 S**

(45) **Date of Patent:** **** Mar. 10, 2009**

(54) **SPRAYER SHROUD**

Primary Examiner—Susan B Hattan

(75) Inventors: **Steve L. Sweeton**, Lake Winnebago, MO (US); **David L. Dejong**, Ogden, UT (US)

(57) **CLAIM**

The ornamental design for a sprayer shroud, as shown and described.

(73) Assignee: **Meadwestvaco Corporation**, Glen Allen, VA (US)

(**) Term: **14 Years**

DESCRIPTION

(21) Appl. No.: **29/275,441**

FIG. 1 is a front side perspective view of a first embodiment of a sprayer shroud;

(22) Filed: **Dec. 27, 2006**

FIG. 2 is a back side perspective view of the first embodiment of the sprayer shroud;

(51) **LOC (9) Cl.** **09-07**

FIG. 3 is a top view of the first embodiment of the sprayer shroud;

(52) **U.S. Cl.** **D9/448**

FIG. 4 is a side view of the first embodiment of the sprayer shroud, the other side being a mirror image thereof;

(58) **Field of Classification Search** D9/682,
D9/448, 447, 435, 434; D6/542; D23/227,
D23/226, 213; 222/255, 251, 383.3, 383.1,
222/382

FIG. 5 is a front view of the first embodiment of the sprayer shroud;

See application file for complete search history.

FIG. 6 is a rear view of the first embodiment of the sprayer shroud;

(56) **References Cited**

U.S. PATENT DOCUMENTS

D256,946 S	9/1980	Campbell et al.	
D326,707 S *	6/1992	Silvenis et al.	D23/226
D327,222 S *	6/1992	Fuchs	D9/435
D332,652 S *	1/1993	Foster et al.	D23/226
D352,546 S *	11/1994	Silvenis et al.	D23/226
D354,226 S *	1/1995	Foster et al.	D9/448
D357,408 S *	4/1995	Silvenis et al.	D9/448
D358,198 S *	5/1995	Wadsworth	D23/226
D366,692 S *	1/1996	Wadsworth	D23/213
D377,602 S *	1/1997	Wadsworth	D9/448
D381,581 S *	7/1997	Wadsworth	D9/448
D385,492 S *	10/1997	Foster et al.	D9/448
D394,007 S *	5/1998	Foster et al.	D9/448
D394,009 S *	5/1998	Foster et al.	D9/448
D396,265 S *	7/1998	Alvern	D23/227
D400,102 S	10/1998	Tada	
D406,762 S *	3/1999	Durliat	D9/448
D409,487 S *	5/1999	Wadsworth et al.	D9/448

FIG. 7 is a front side perspective view of a second embodiment of the sprayer shroud;

FIG. 8 is a back side perspective view of the second embodiment of the sprayer shroud;

FIG. 9 is a top view of the second embodiment of the sprayer shroud;

FIG. 10 is a side view of the second embodiment of the sprayer shroud, the other side being a mirror image thereof;

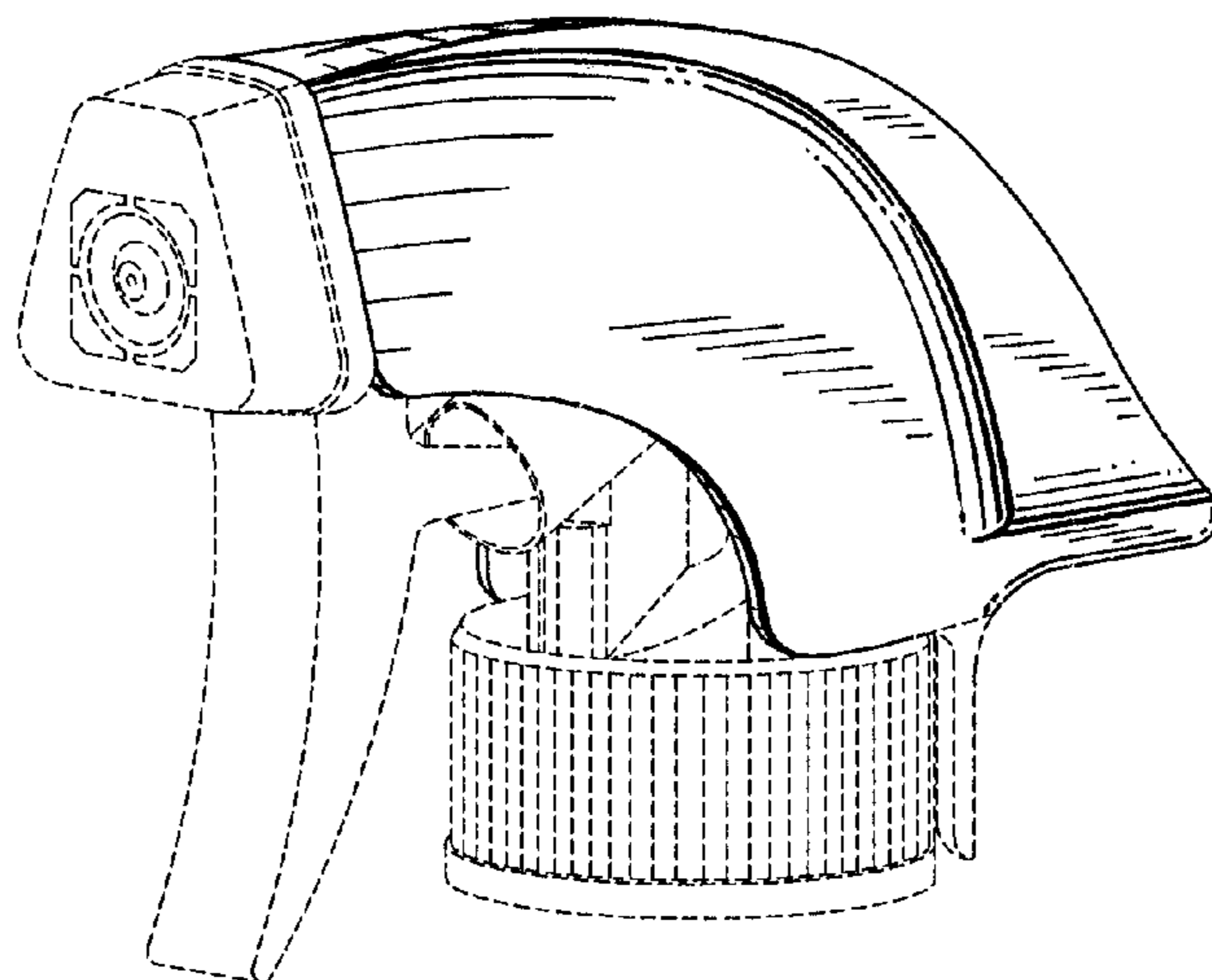
FIG. 11 is a front view of the second embodiment of the sprayer shroud; and,

FIG. 12 is a rear view of the second embodiment of the sprayer shroud.

In the drawings, the broken lines immediately adjacent to the shaded areas represent the bounds of the claims and all other broken lines depict environmental subject matter only. None of the broken lines form a part of the claimed design.

(Continued)

1 Claim, 6 Drawing Sheets



US D588,003 S

Page 2

U.S. PATENT DOCUMENTS

D409,915 S *	5/1999	Durliat et al.	D9/448	D508,852 S *	8/2005	Arminak	D9/448
D409,917 S *	5/1999	Wadsworth et al.	D9/448	D519,371 S *	4/2006	Hornsby et al.	D9/448
D419,875 S *	2/2000	Wadsworth et al.	D9/448	7,032,777 B2 *	4/2006	Good et al.	222/383.1
D419,876 S *	2/2000	Keung	D9/448	D520,872 S *	5/2006	Paas et al.	D9/448
D422,216 S *	4/2000	Brozell	D9/448	D525,124 S *	7/2006	Sweeton	D9/448
D422,913 S *	4/2000	Brozell	D9/448	D525,524 S *	7/2006	Sweeton	D9/448
D423,934 S *	5/2000	Brozell	D9/448	D530,201 S *	10/2006	Sweeton	D9/448
D435,448 S *	12/2000	Trepina et al.	D9/448	D535,560 S *	1/2007	Sweeton	D9/448
D442,088 S *	5/2001	Trepina et al.	D9/448	D541,652 S *	5/2007	Arminak	D9/448
D454,306 S *	3/2002	Sweeton et al.	D9/434	7,219,848 B2 *	5/2007	Sweeton	239/102.2
6,367,665 B1 *	4/2002	Barriac et al.	222/383.3	2002/0070245 A1 *	6/2002	Barriac et al.	222/382
6,669,058 B1 *	12/2003	Sweeton	222/153.13	2002/0070246 A1 *	6/2002	Barriac et al.	222/382
D488,536 S	4/2004	Yean		2002/0092872 A1 *	7/2002	Barriac et al.	222/383.3
D494,866 S	8/2004	Guala		2005/0082311 A1 *	4/2005	Good et al.	222/383.1
D495,399 S	8/2004	Guala		2006/0091160 A1 *	5/2006	Sweeton	222/333
D499,024 S *	11/2004	Sweeton	D9/448	2006/0153707 A1 *	7/2006	Sweeton et al.	417/411
				2007/0215724 A1 *	9/2007	Sweeton	222/333

* cited by examiner

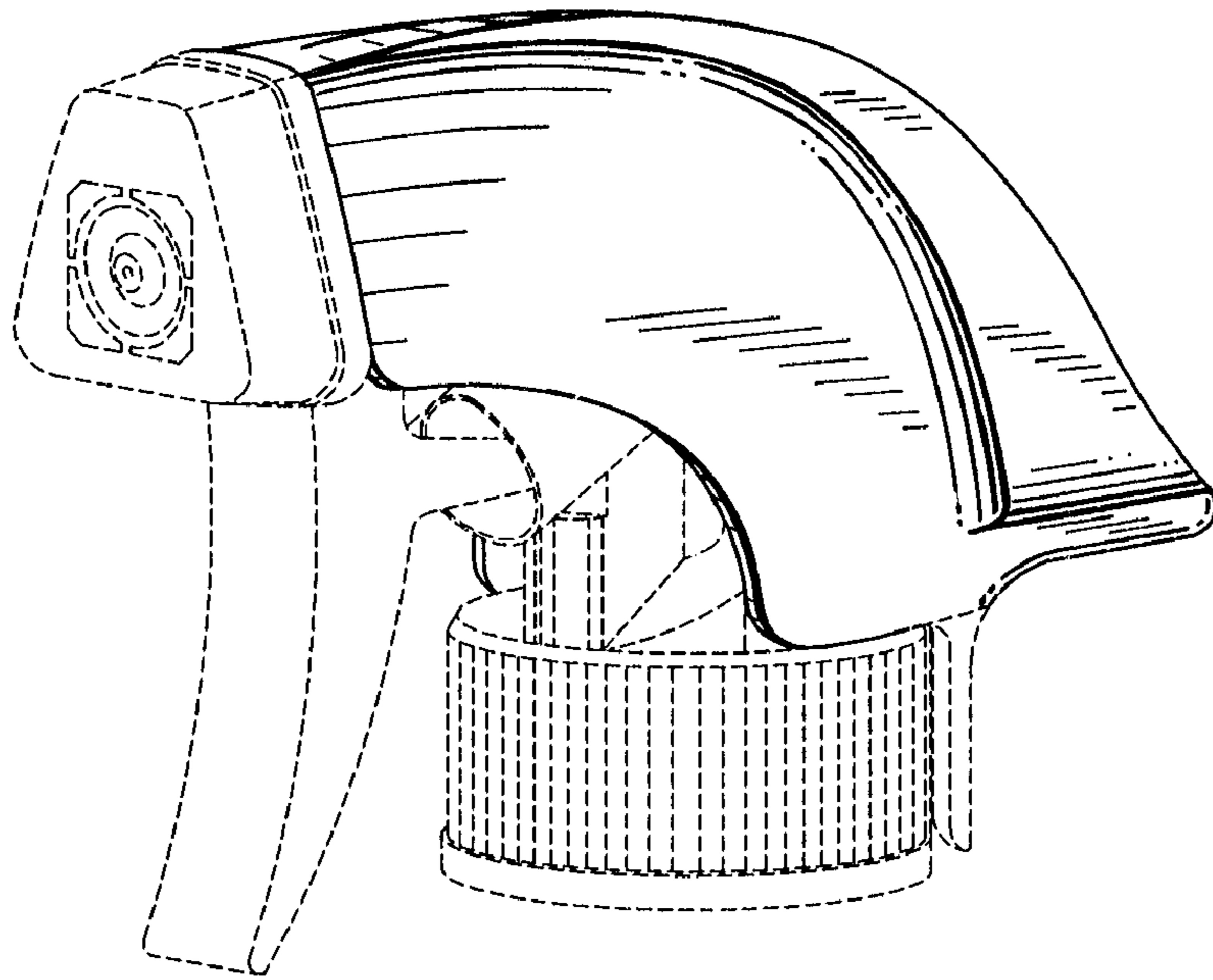


FIG. 1

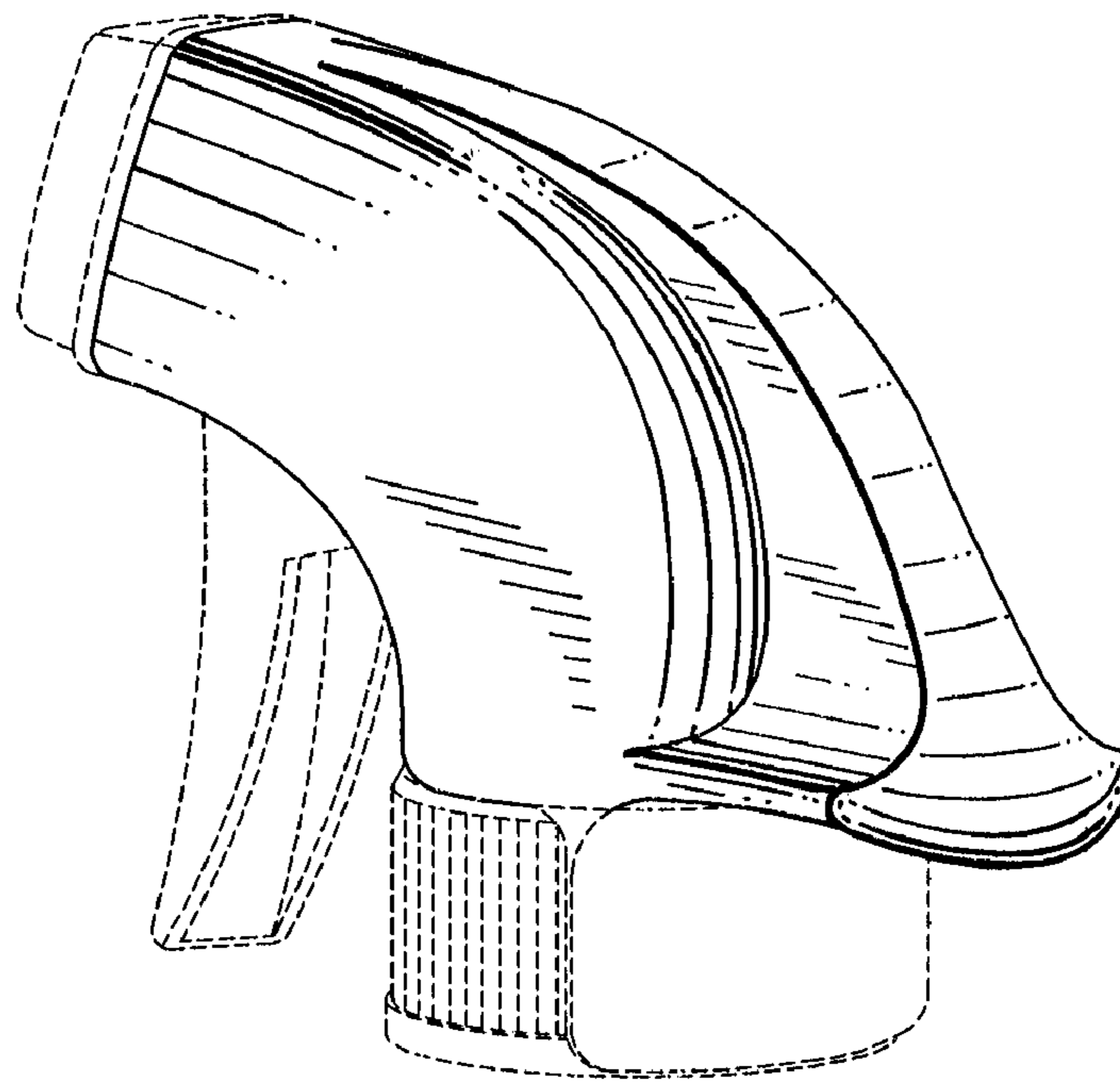


FIG. 2

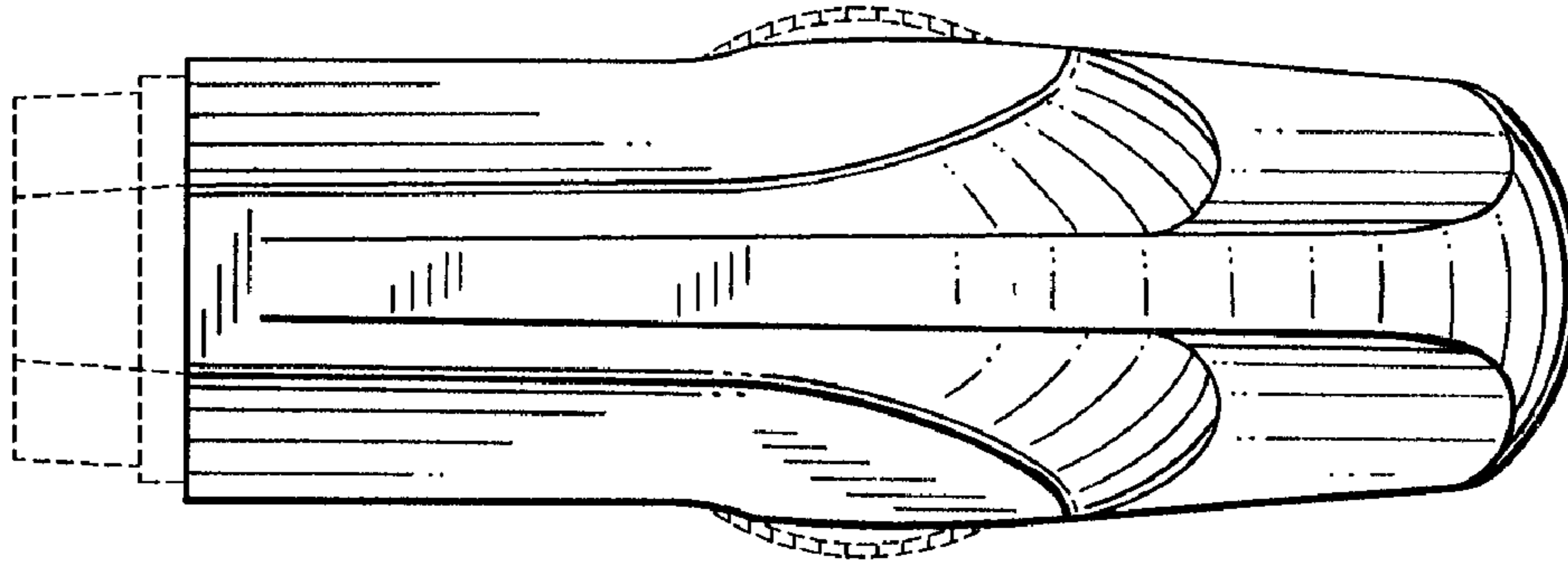


FIG. 3

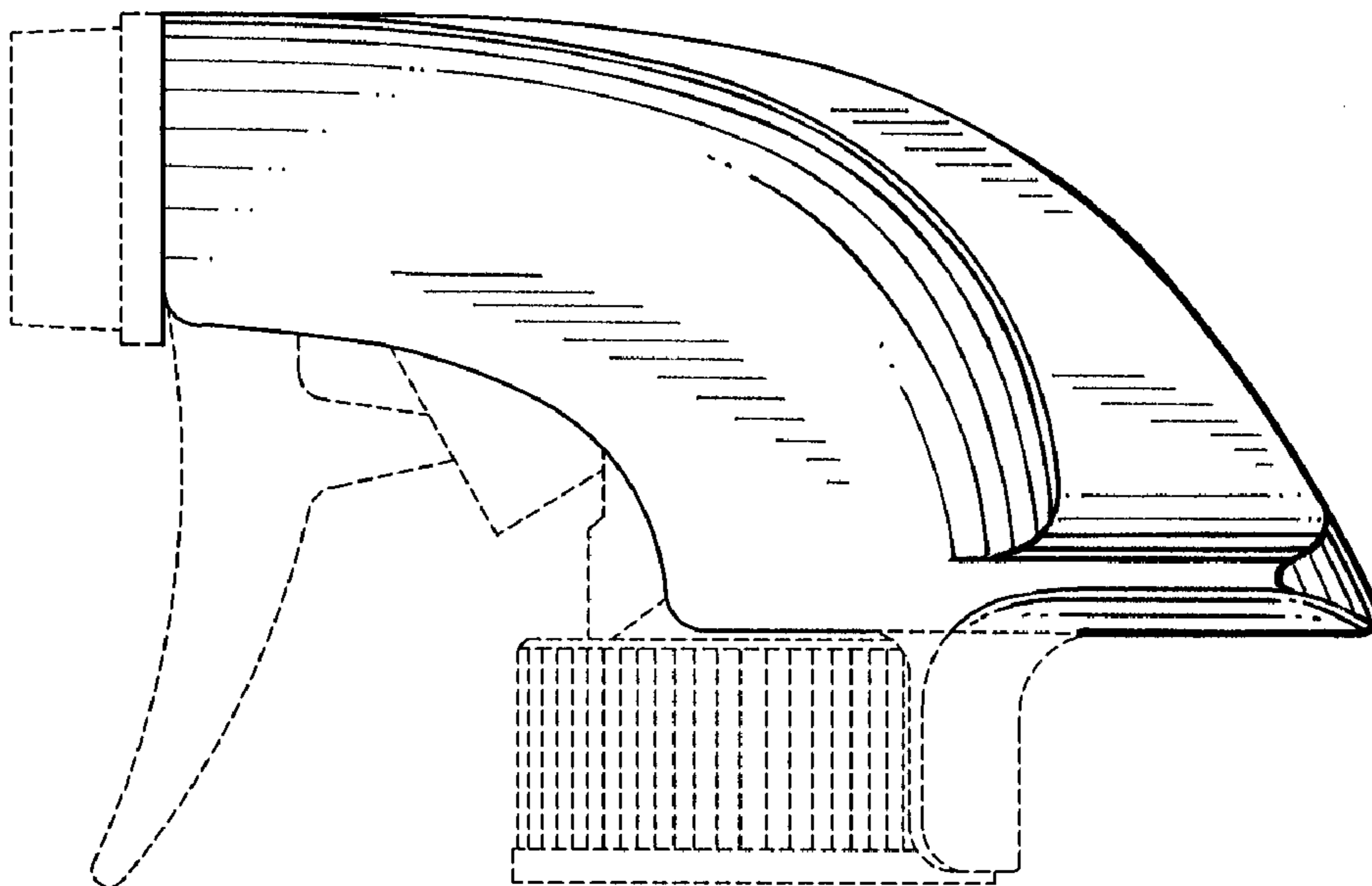


FIG. 4

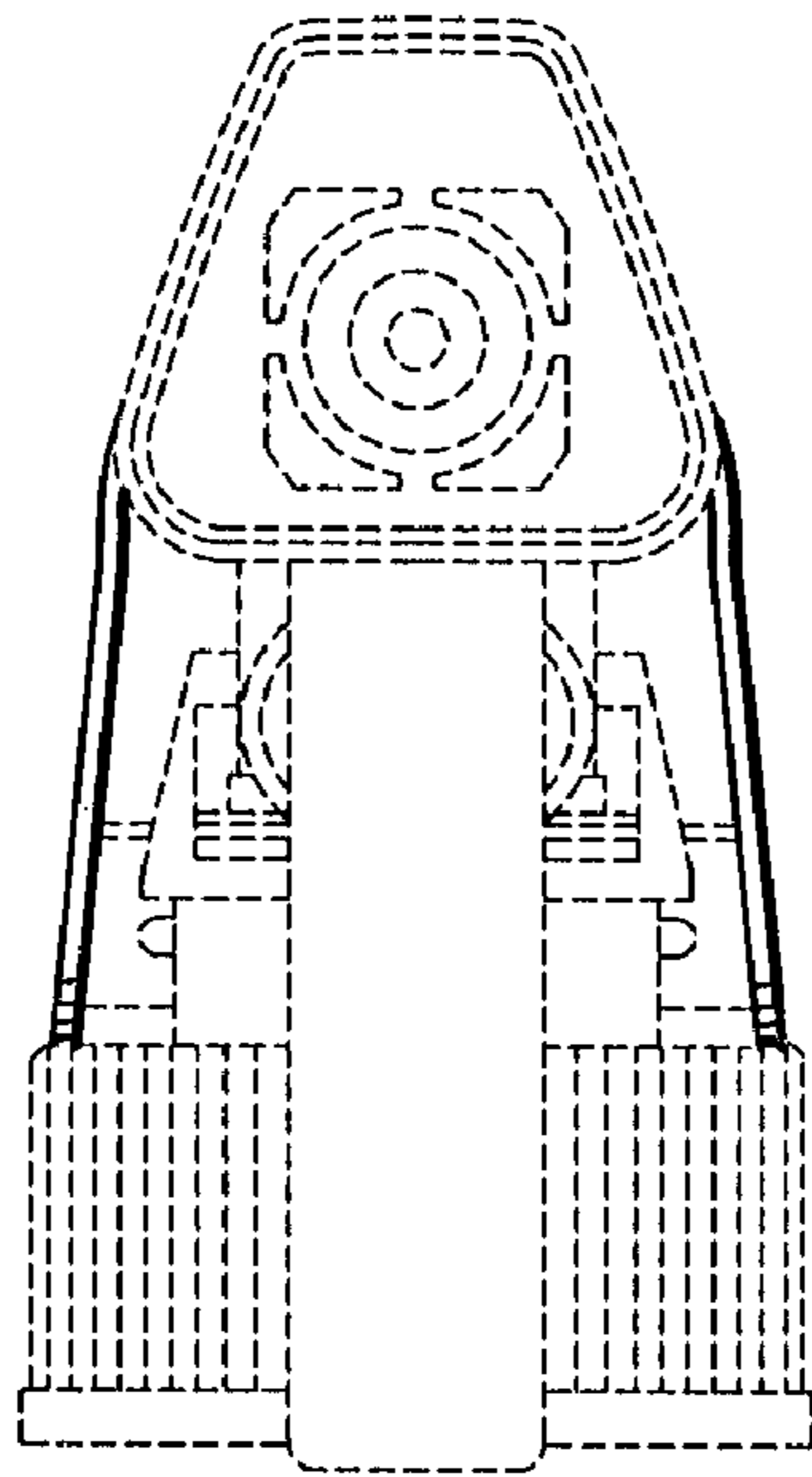


FIG. 5

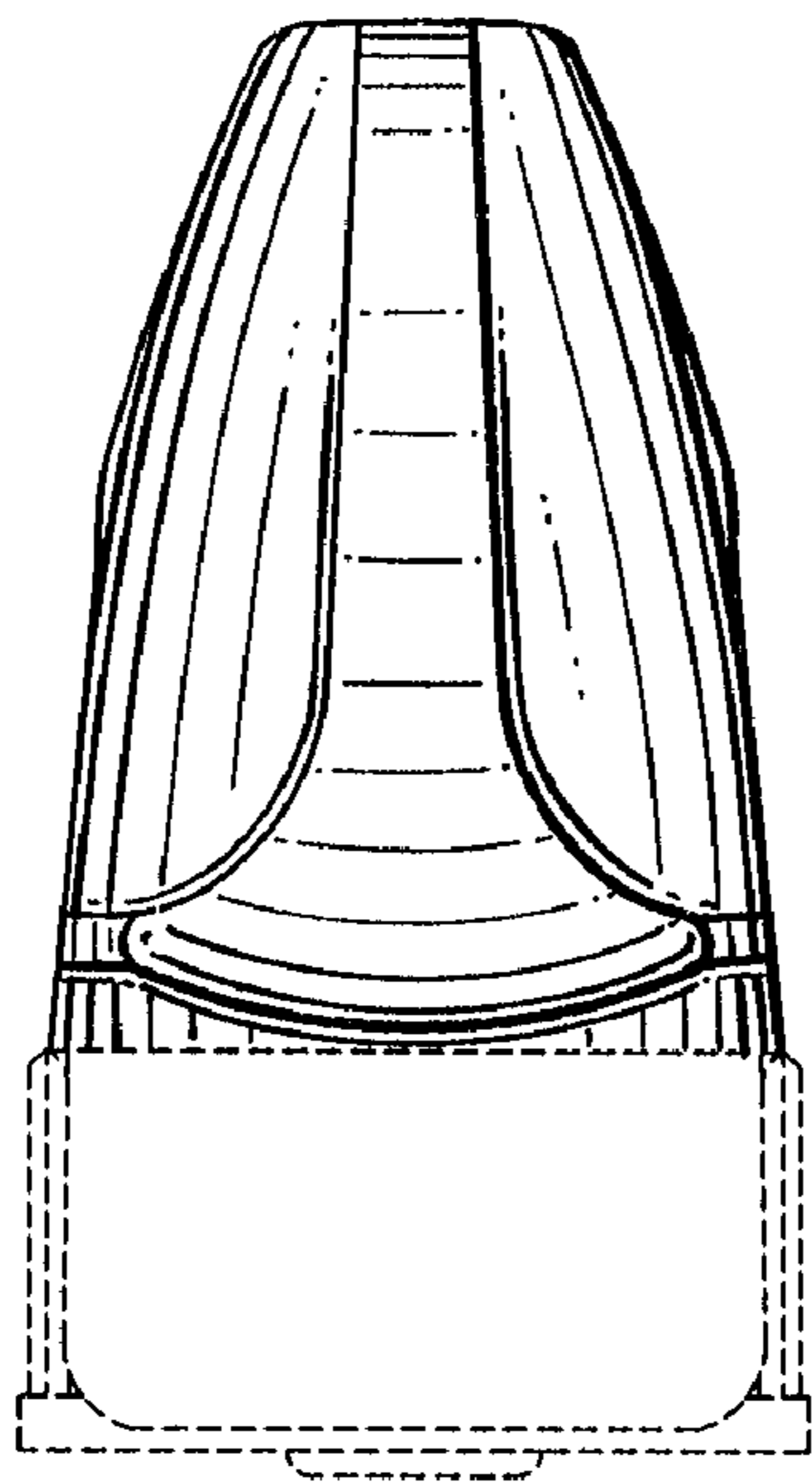


FIG. 6

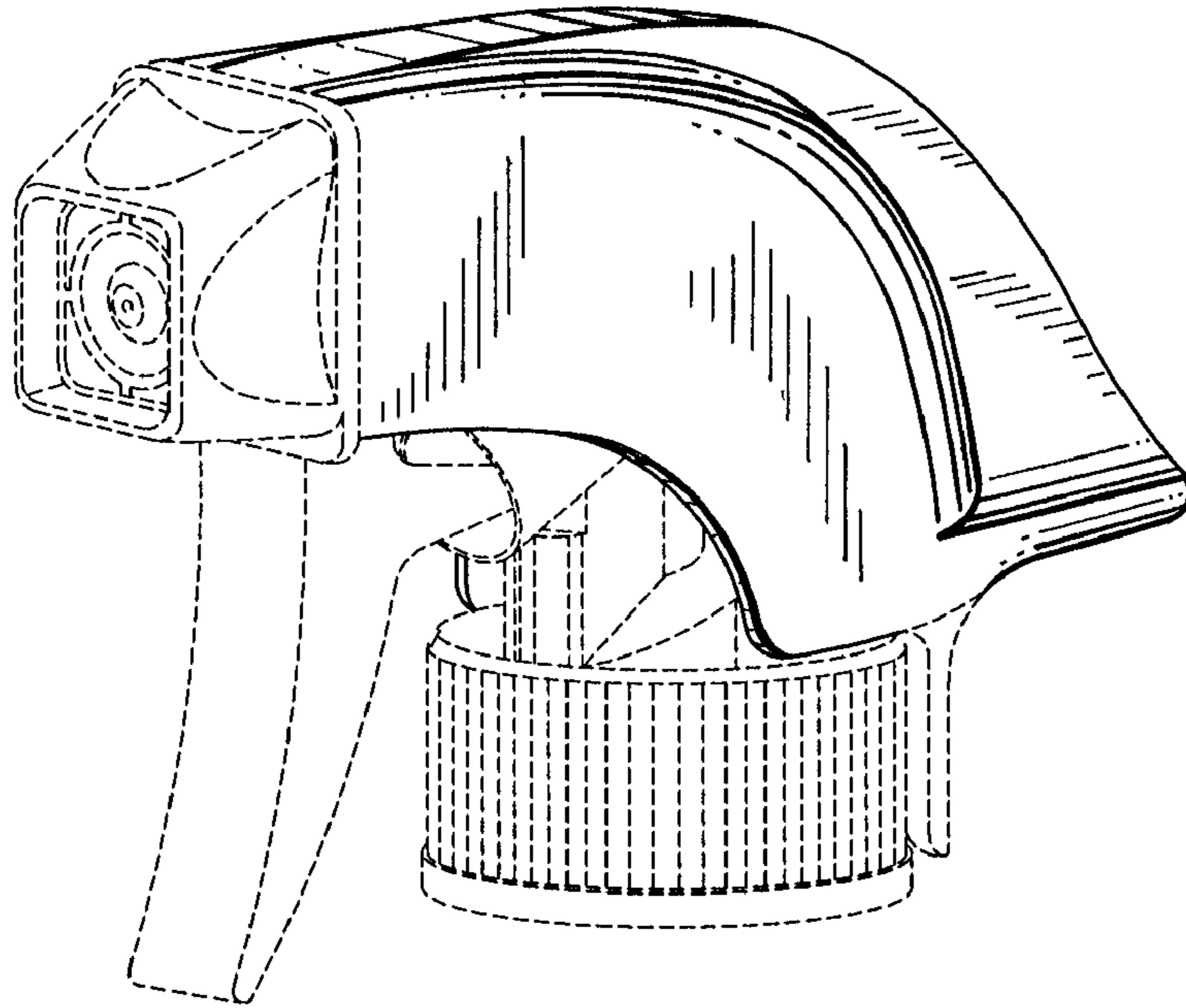


FIG. 7

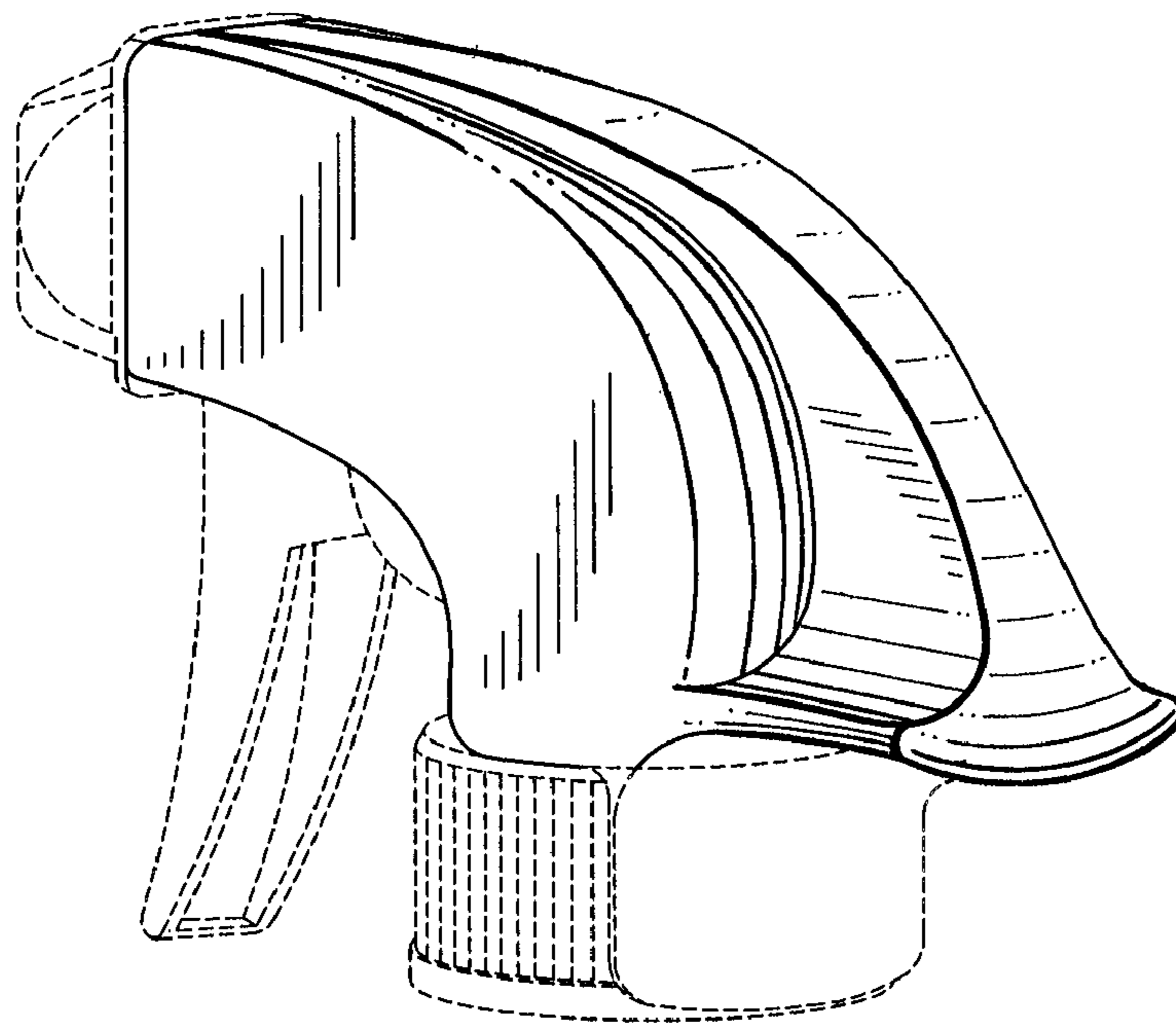


FIG. 8

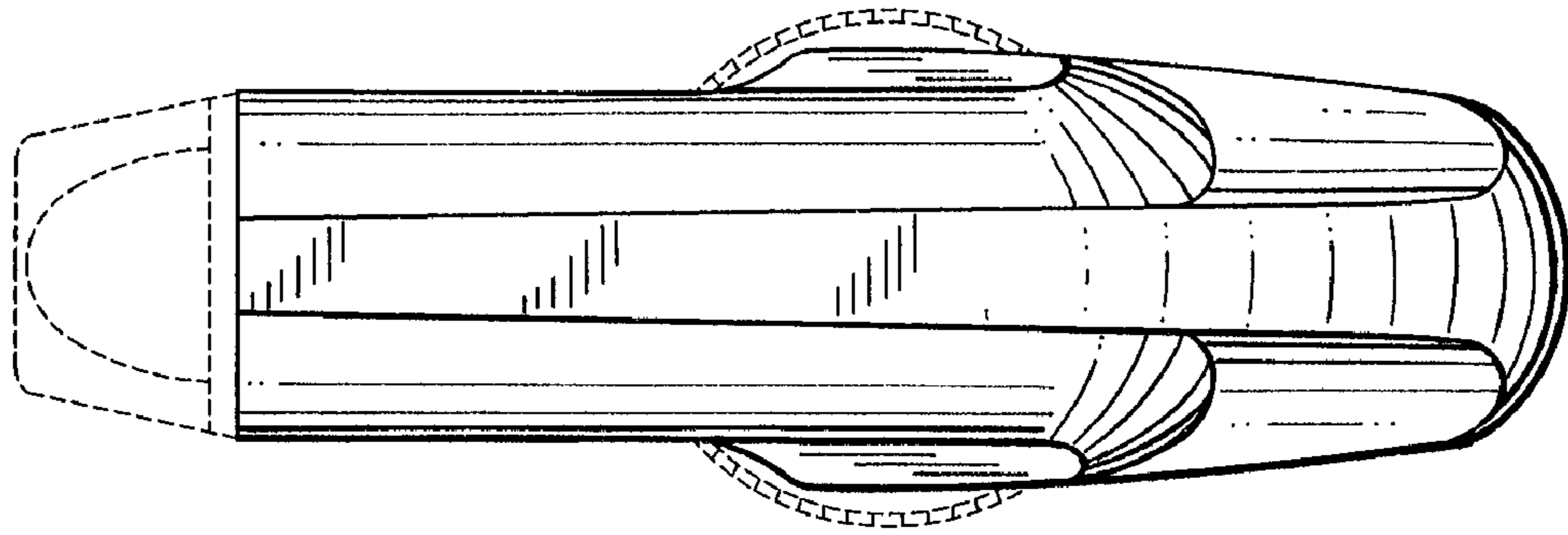


FIG. 9

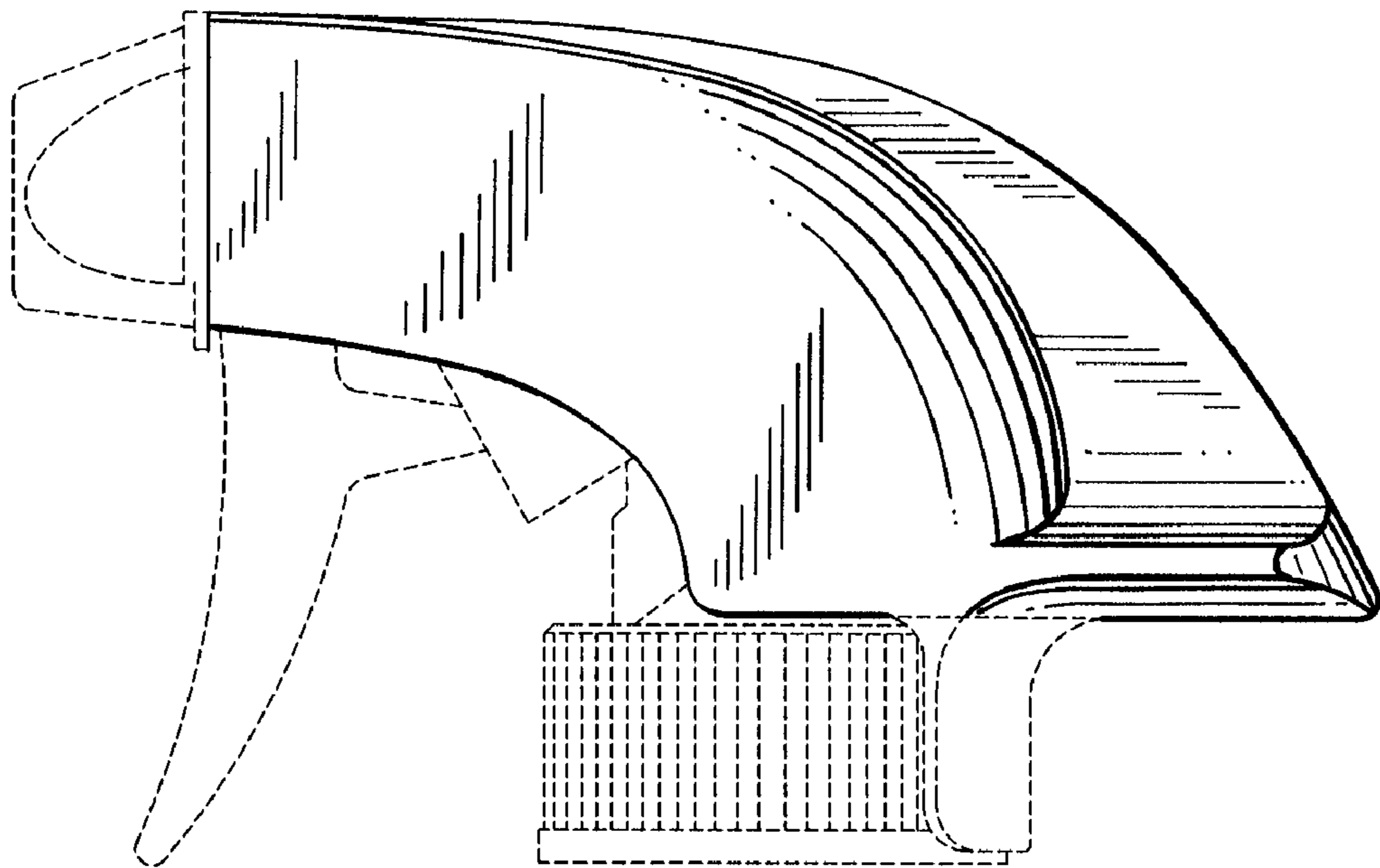


FIG. 10

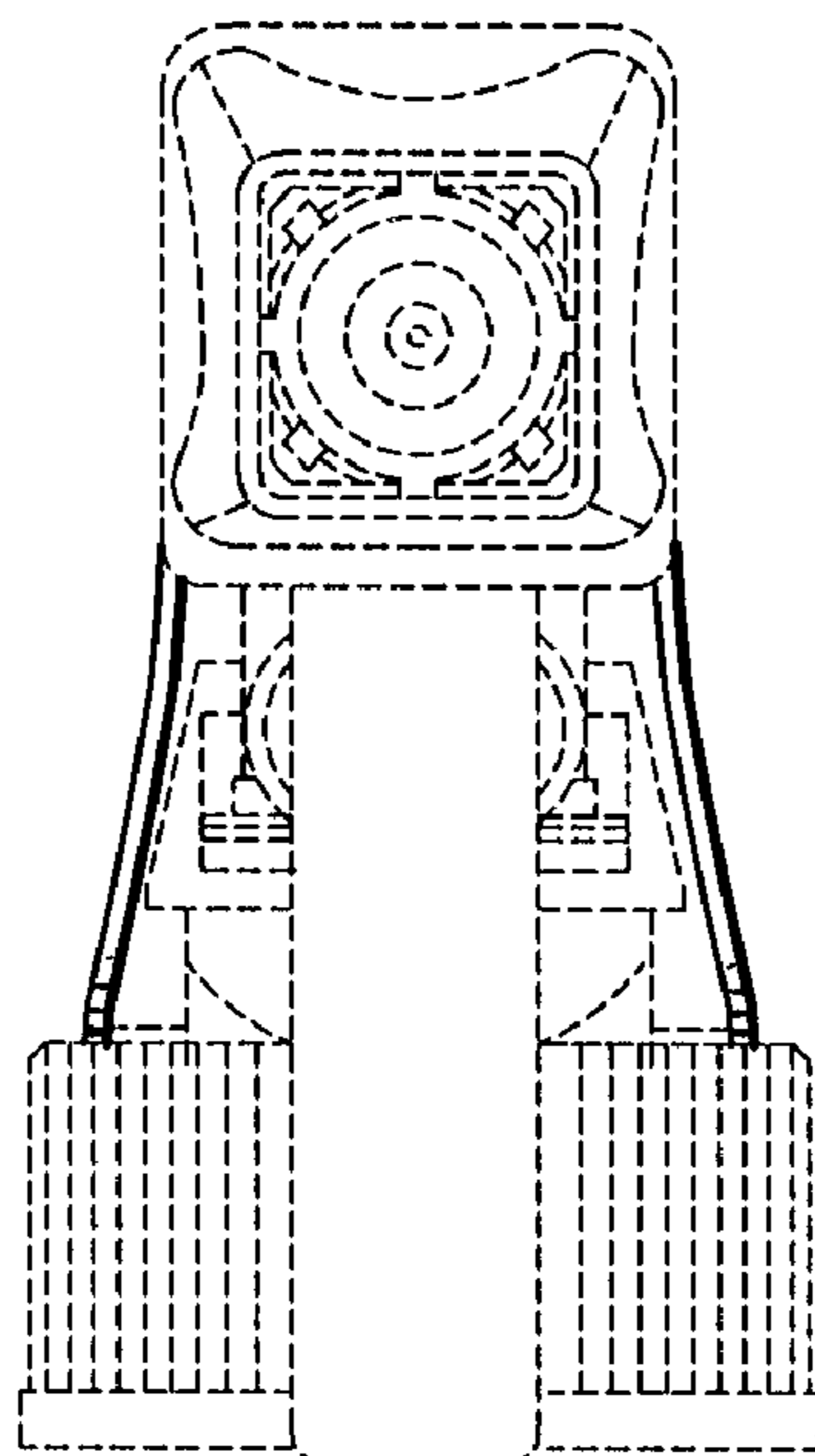


FIG. 11

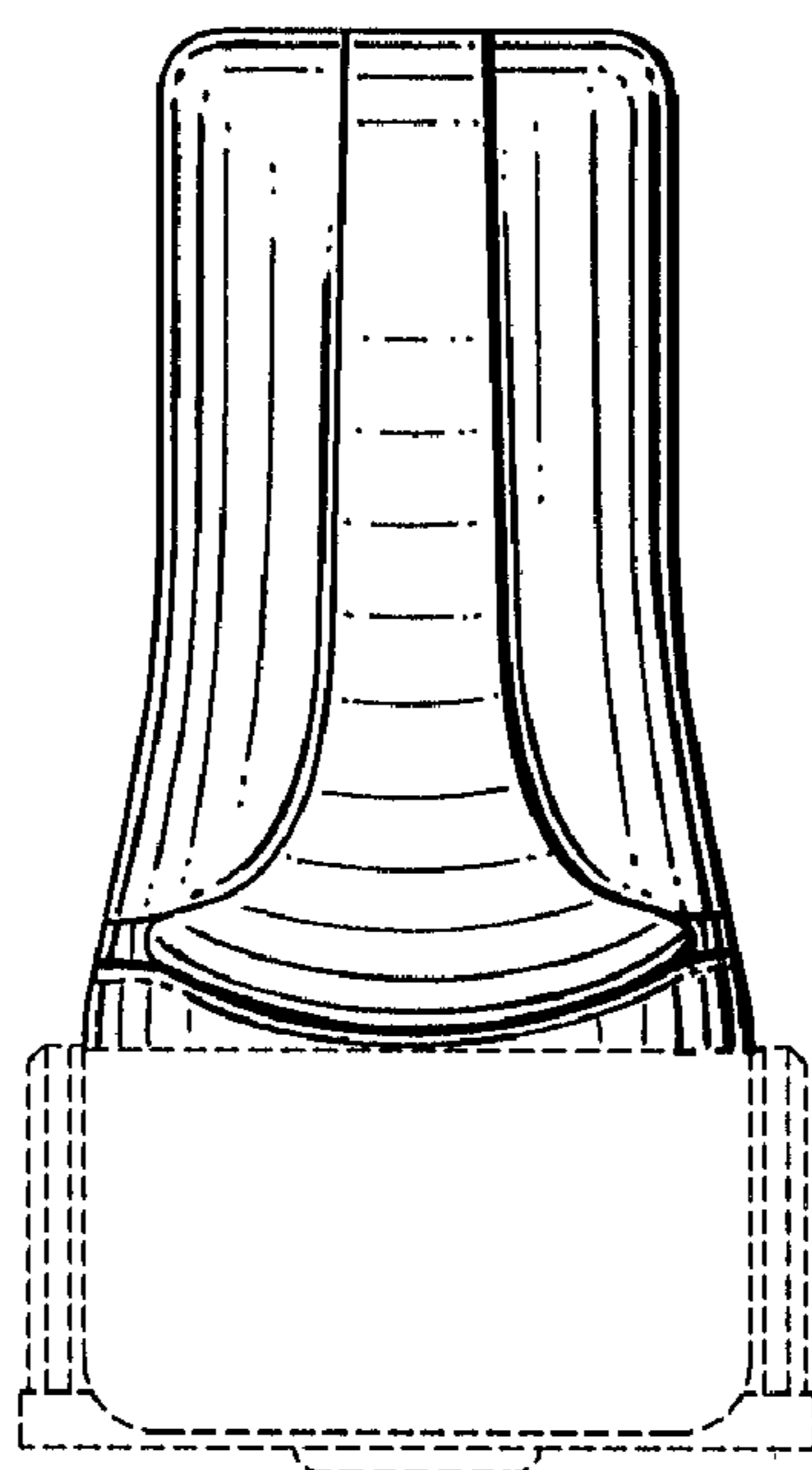


FIG. 12