



US00D588002S

(12) **United States Design Patent**  
**D'Amato**

(10) **Patent No.:** **US D588,002 S**  
(45) **Date of Patent:** **\*\* Mar. 10, 2009**

(54) **BEVERAGE CONTAINER LID**

(74) *Attorney, Agent, or Firm*—Brinks Hofer Gilson & Lione

(75) Inventor: **Gianfranco D'Amato**, Arzano Napoli (IT)

(57) **CLAIM**

I claim the ornamental design for a beverage container lid, as shown and described.

(73) Assignee: **Seda S.p.A.**, Arzano Napoli (IT)

(\*\*) Term: **14 Years**

**DESCRIPTION**

(21) Appl. No.: **29/283,338**

FIG. 1 is a perspective view of a beverage container lid showing a first embodiment of my design;

(22) Filed: **Aug. 10, 2007**

FIG. 2 is a bottom view thereof;

(30) **Foreign Application Priority Data**

Feb. 12, 2007 (EM) ..... 000668553

FIG. 3 is a front view thereof;

(51) **LOC (9) Cl.** ..... **09-07**

FIG. 4 is a left side view thereof;

(52) **U.S. Cl.** ..... **D9/447; D9/452; D9/454**

FIG. 5 is a rear side view thereof;

(58) **Field of Classification Search** ..... **D9/600, D9/454, 453, 452, 449, 447, 445, 438, 435; D7/392.1, 510; 220/711-713, 268, 266, 220/254, 254.3-254.9, 254.1; 229/906.1**  
See application file for complete search history.

FIG. 6 is a right side view thereof;

FIG. 7 is a top view thereof;

FIG. 8 is a cross-sectional view thereof, taken in the direction of line 8-8 on FIG. 7; and

FIG. 9 is a cross-sectional view thereof, taken in the direction of line 9-9 on FIG. 7

FIG. 10 is a perspective view of a beverage container lid showing a first embodiment of my design;

(56) **References Cited**

**U.S. PATENT DOCUMENTS**

4,215,793	A *	8/1980	Packard	.....	220/712
D267,781	S *	2/1983	Thompson	.....	D9/447
5,390,810	A *	2/1995	Stroble et al.	.....	220/713
D509,430	S *	9/2005	Hierzer et al.	.....	D9/447
D509,431	S *	9/2005	Hierzer et al.	.....	D9/447
D512,635	S *	12/2005	Hierzer et al.	.....	D9/447
D513,452	S *	1/2006	Parve	.....	D9/447
D515,918	S *	2/2006	Hierzer et al.	.....	D9/447
D518,714	S *	4/2006	Hierzer et al.	.....	D9/447
D559,105	S *	1/2008	D'Amato	.....	D9/454

FIG. 11 is a bottom view thereof;

FIG. 12 is a front view thereof;

FIG. 13 is a left side view thereof;

FIG. 14 is a rear side view thereof;

FIG. 15 is a right side view thereof;

FIG. 16 is a top view thereof;

FIG. 17 is a cross-sectional view thereof, taken in the direction of line 17-17 on FIG. 16; and,

FIG. 18 is a cross-sectional view thereof, taken in the direction of line 18-18 on FIG. 16.

\* cited by examiner

*Primary Examiner*—Susan B Hattan

**1 Claim, 6 Drawing Sheets**

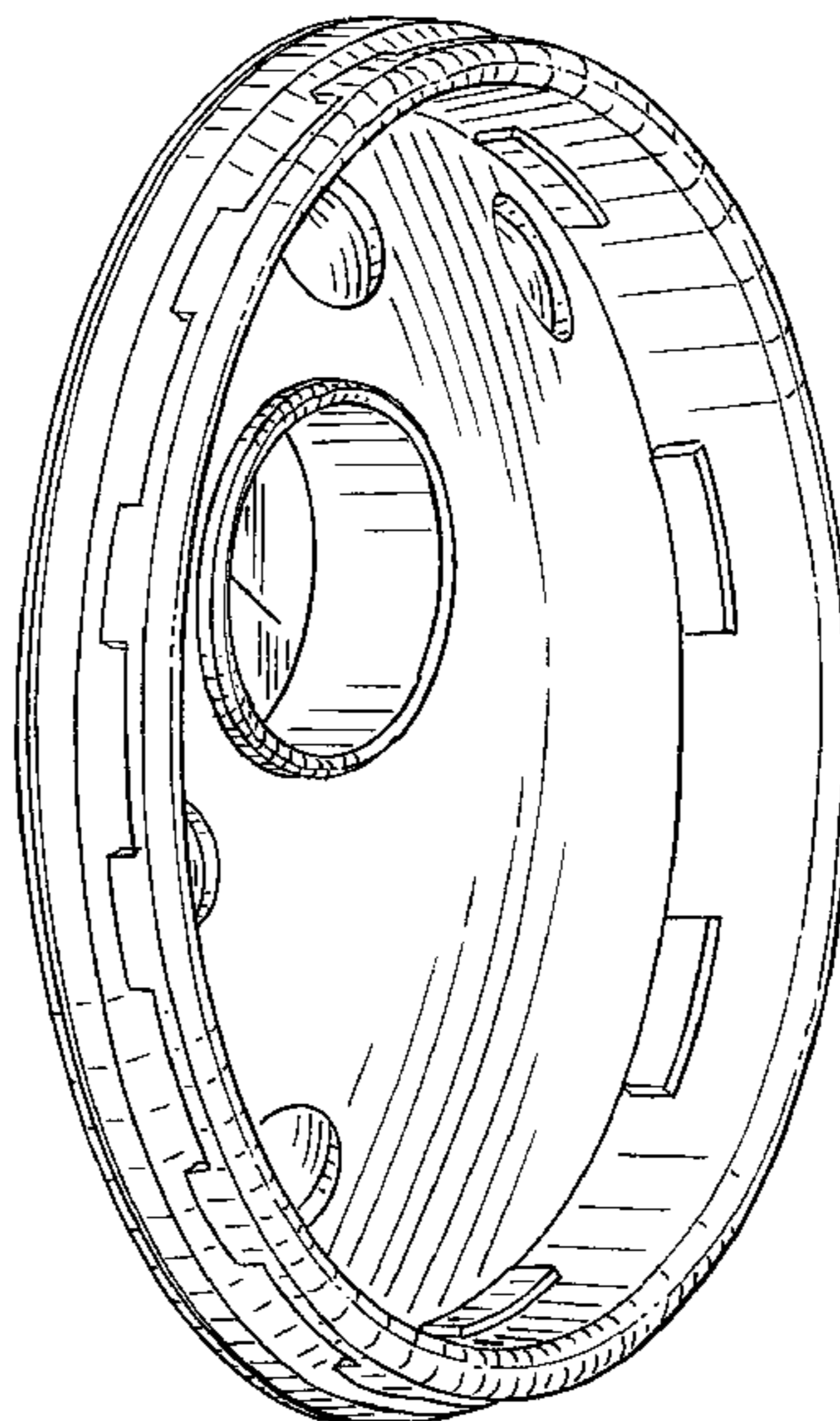


FIG.2

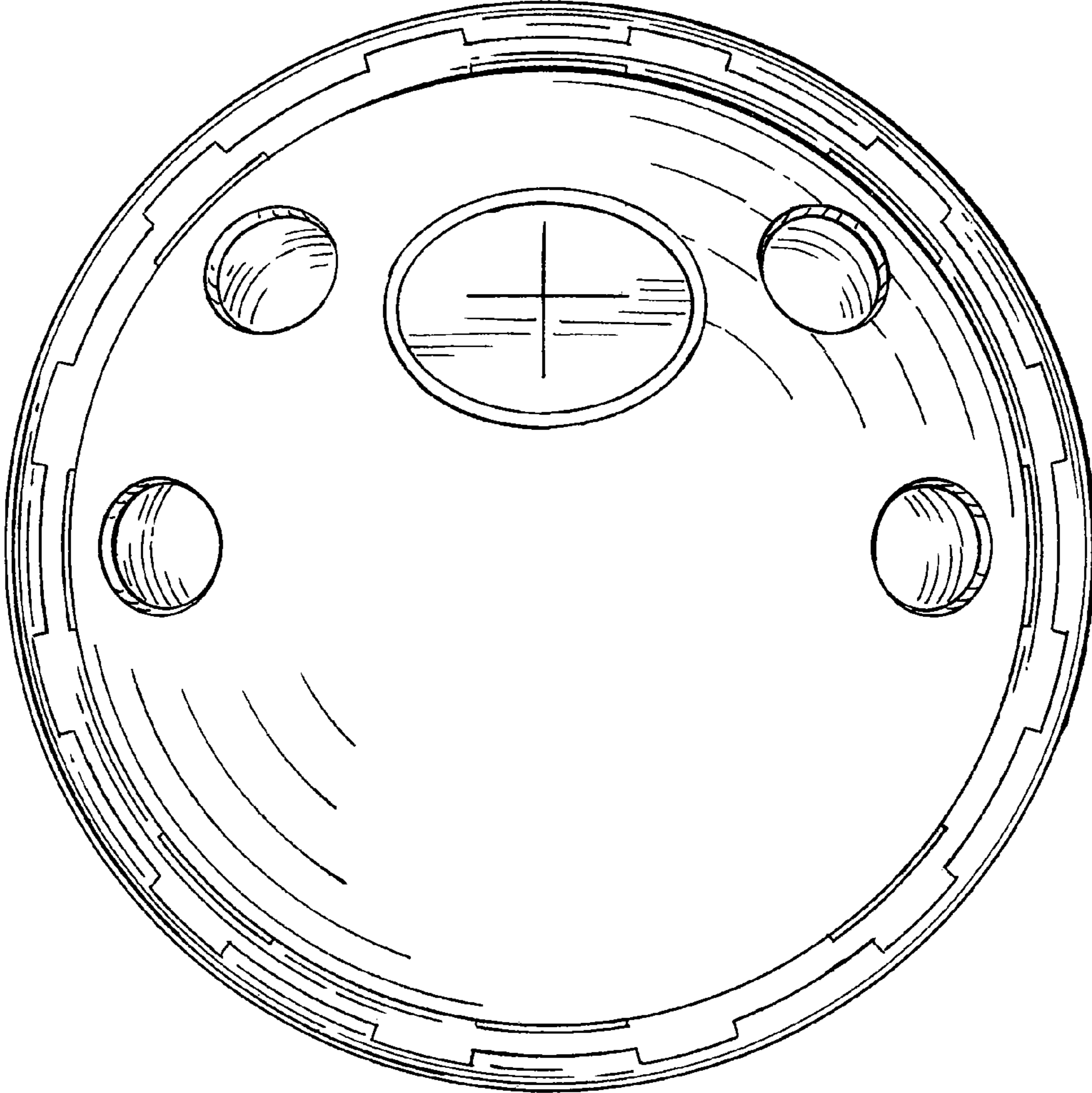


FIG.1

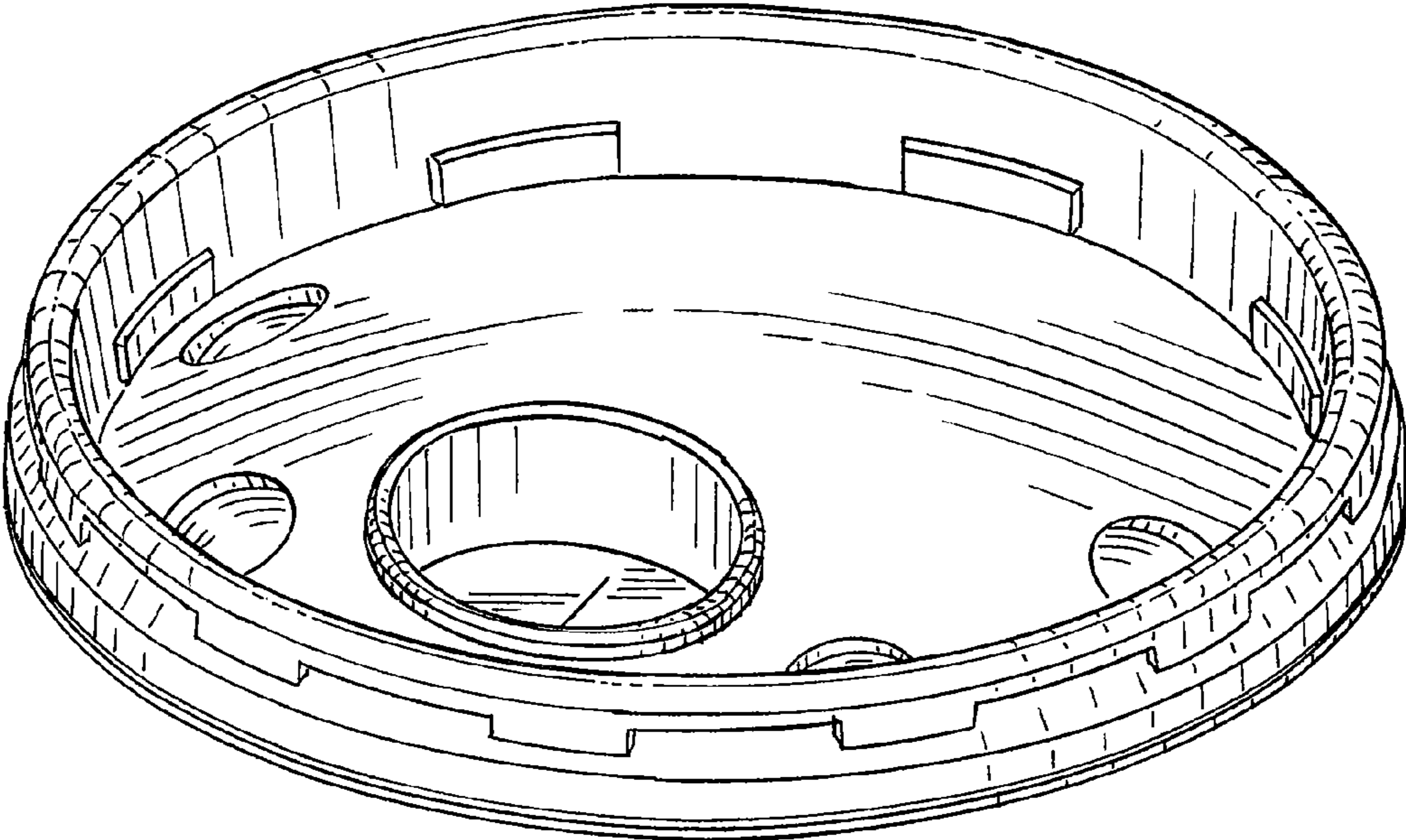


FIG. 6

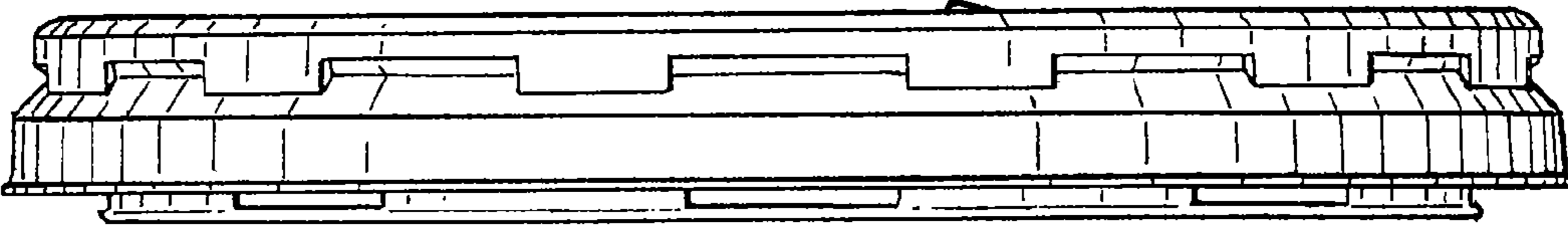


FIG. 5

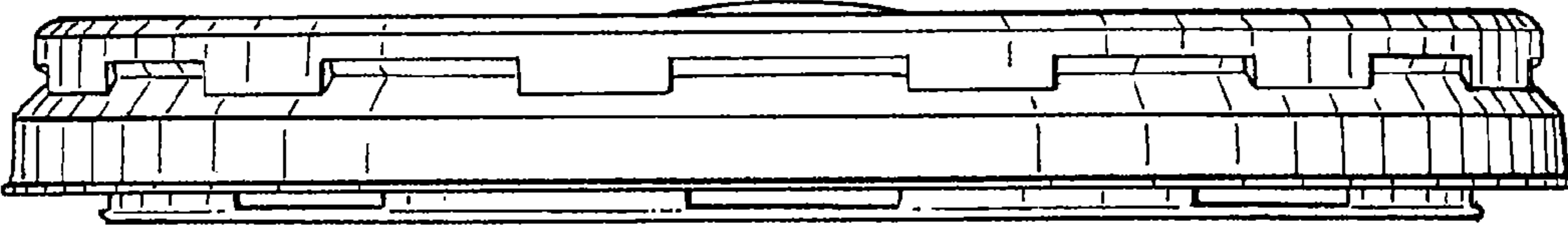


FIG. 4

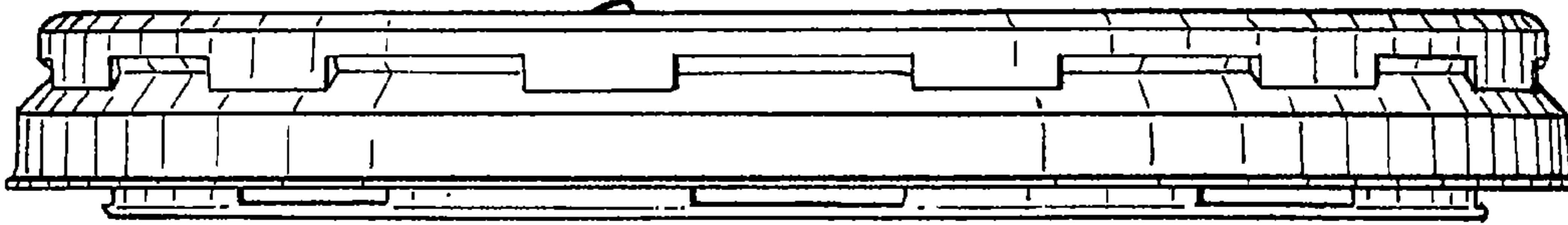


FIG. 3

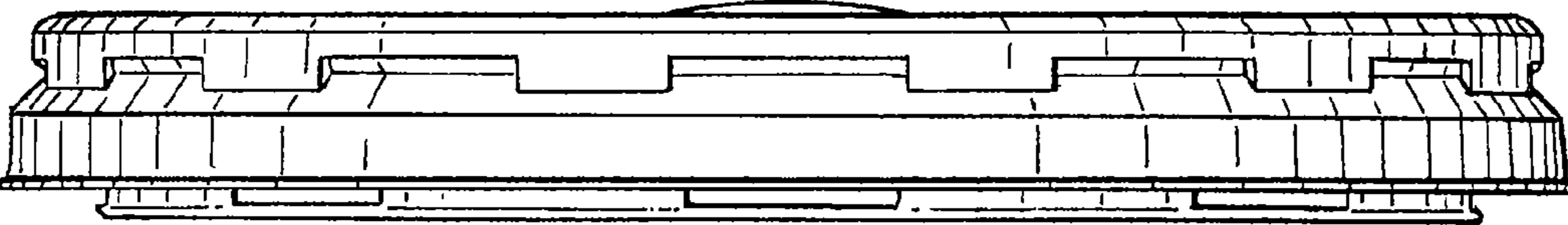


FIG. 9

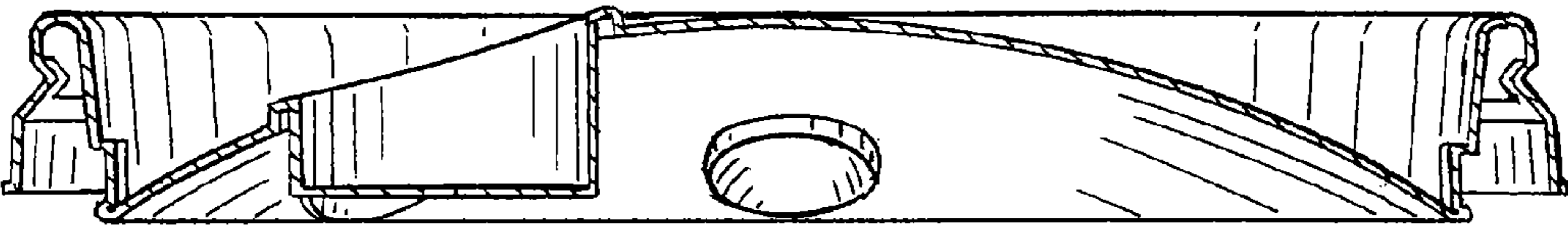


FIG. 8

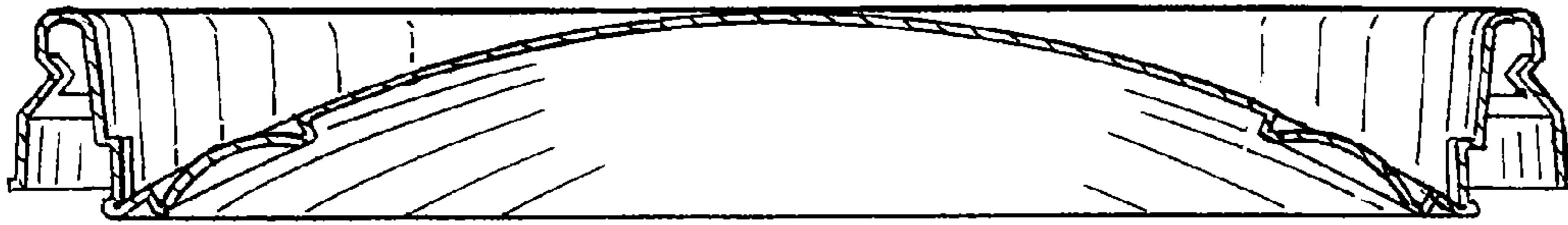


FIG. 7

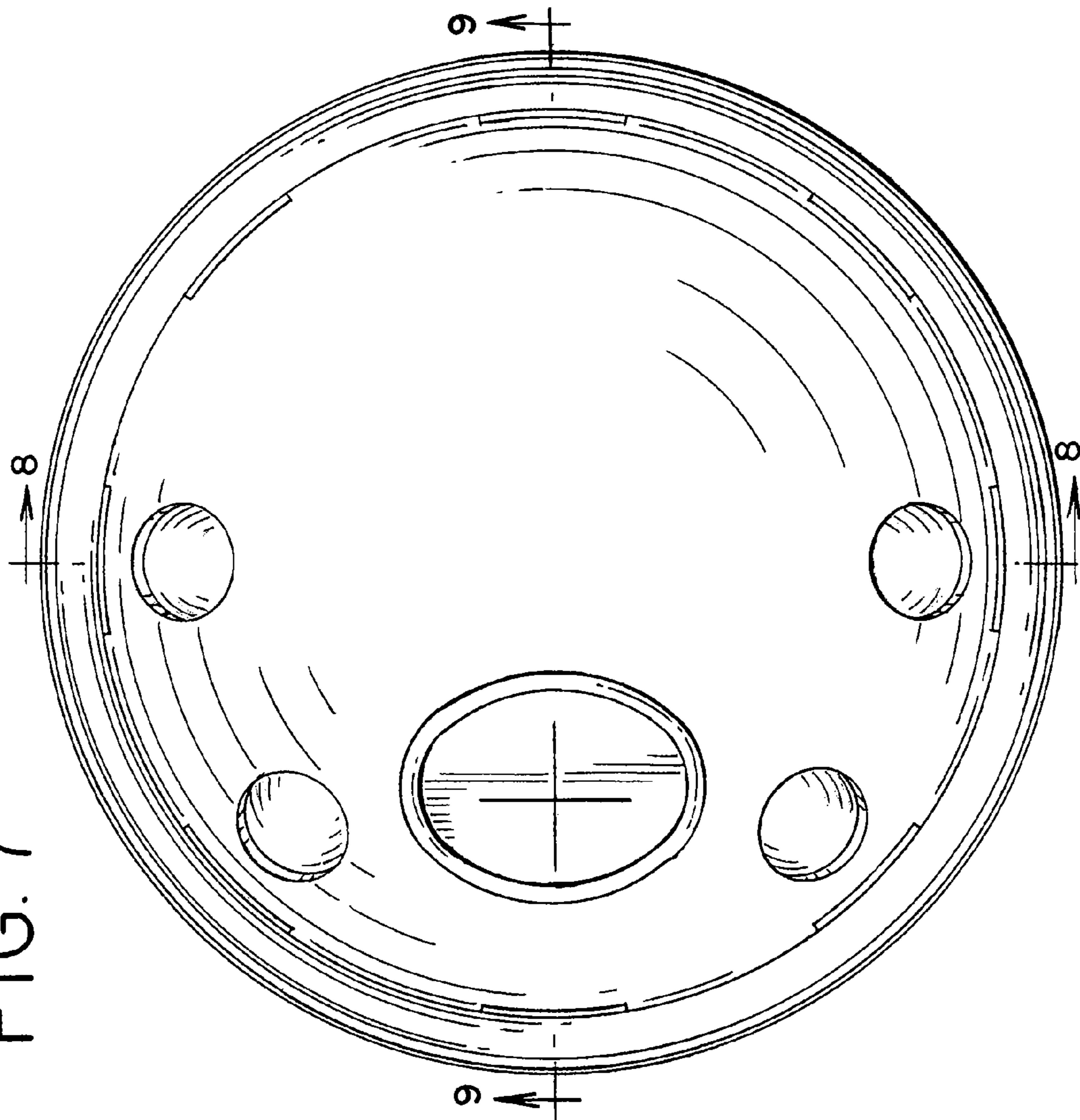


FIG.11

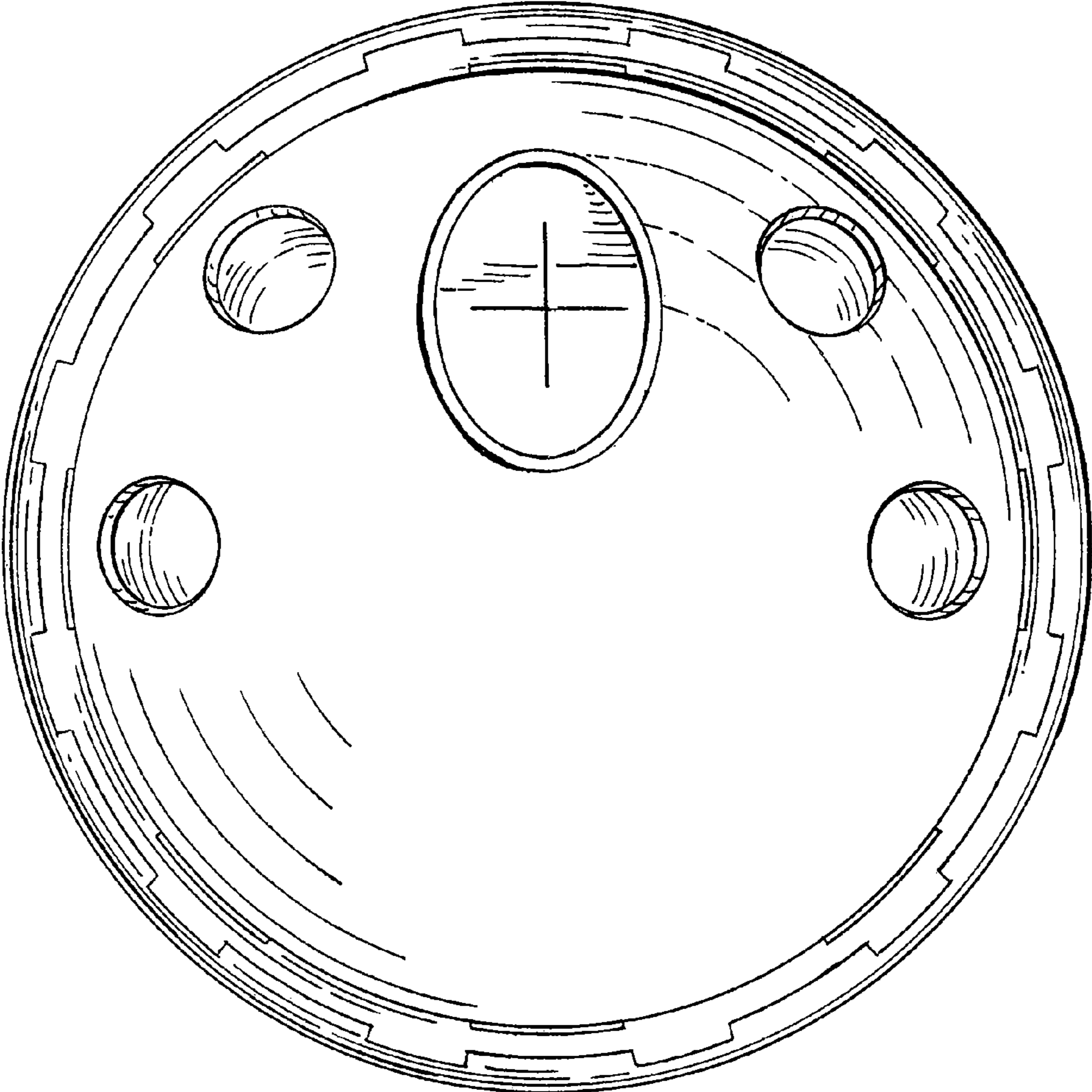


FIG.10

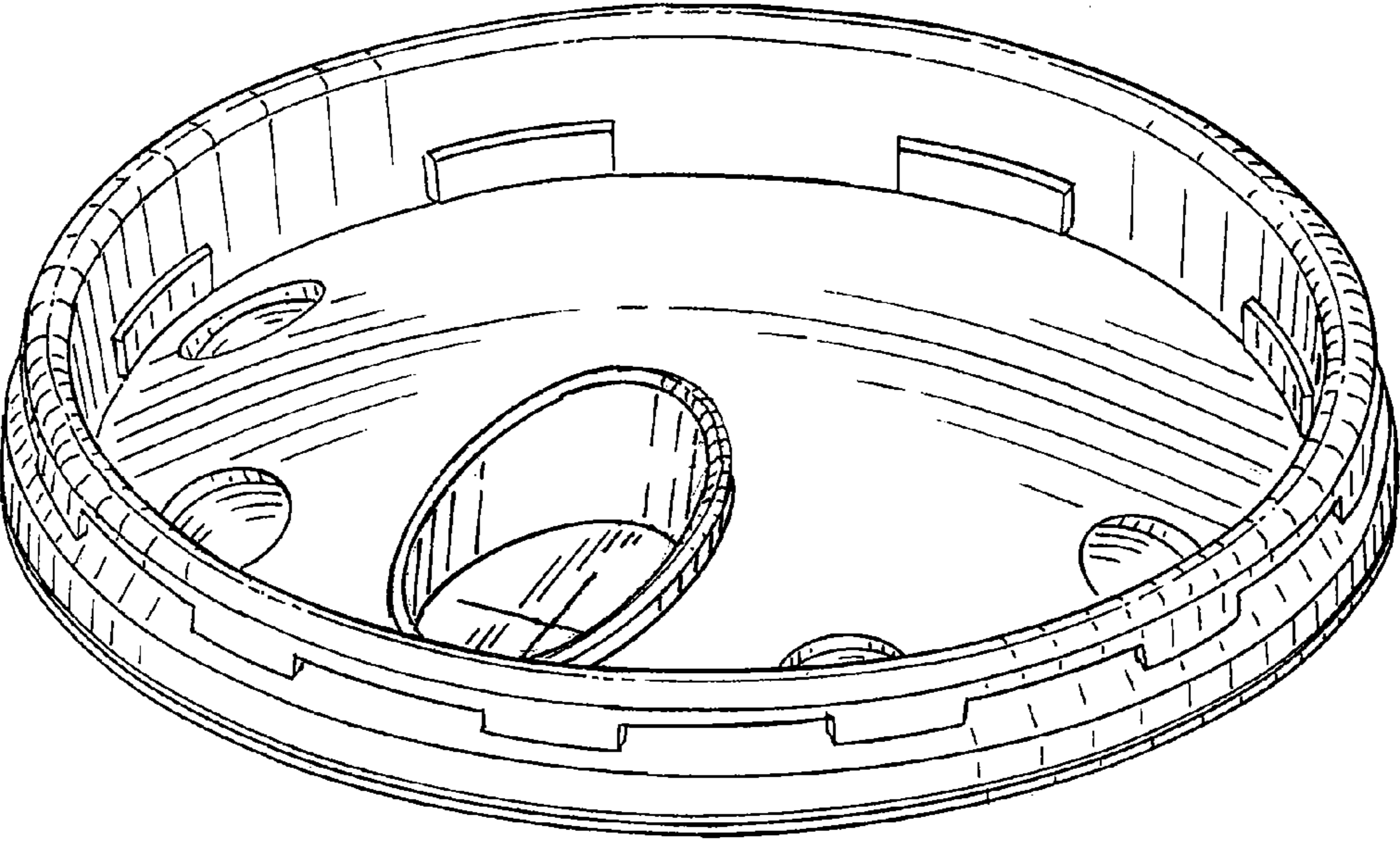


FIG.15

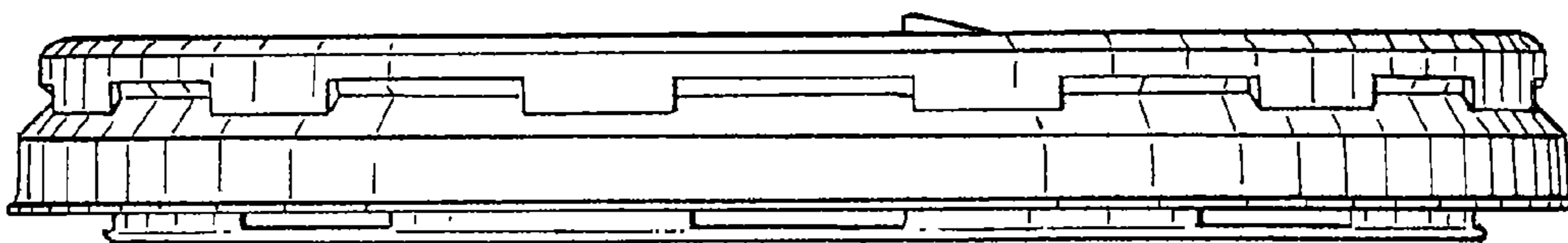


FIG.14

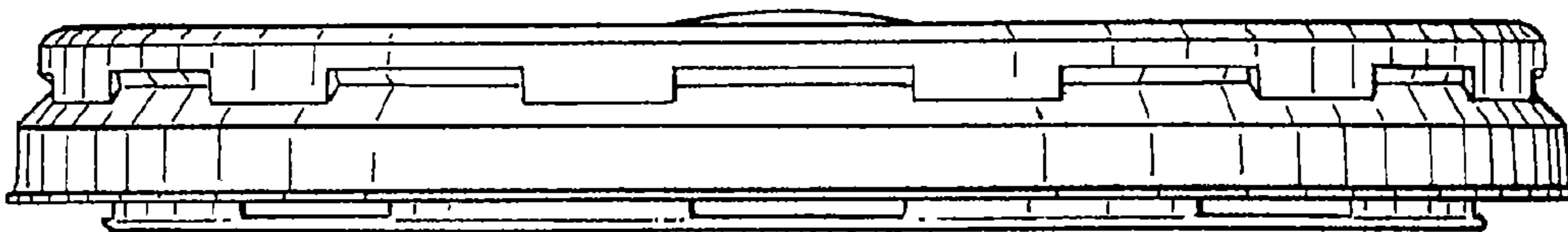


FIG.13

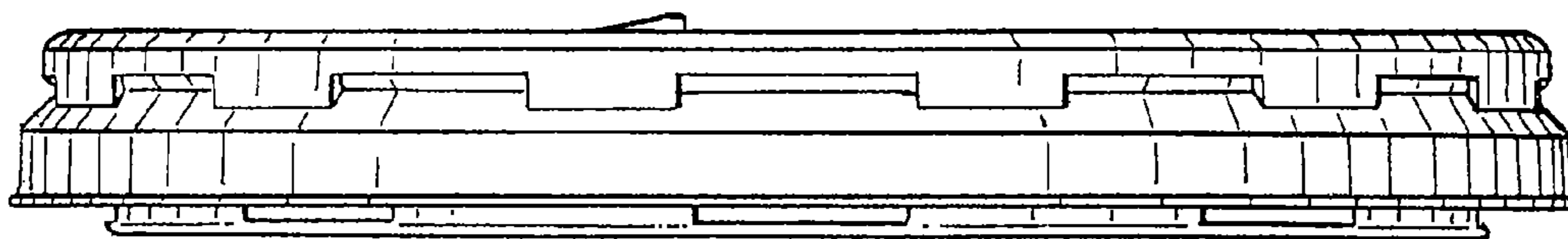


FIG.12

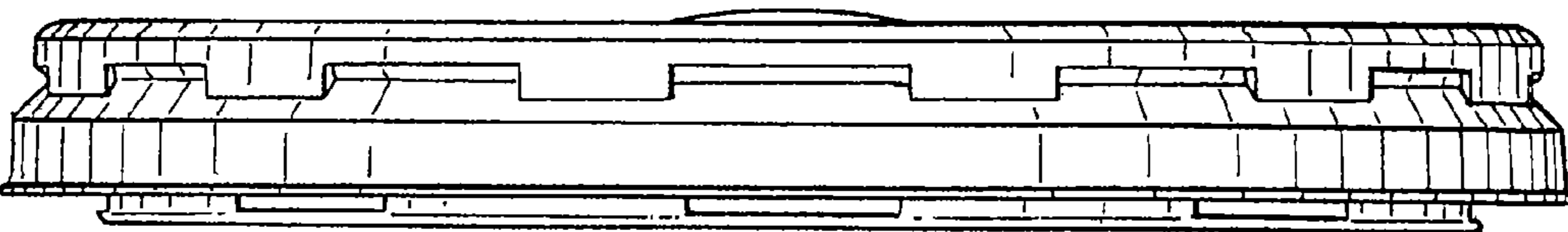


FIG.18

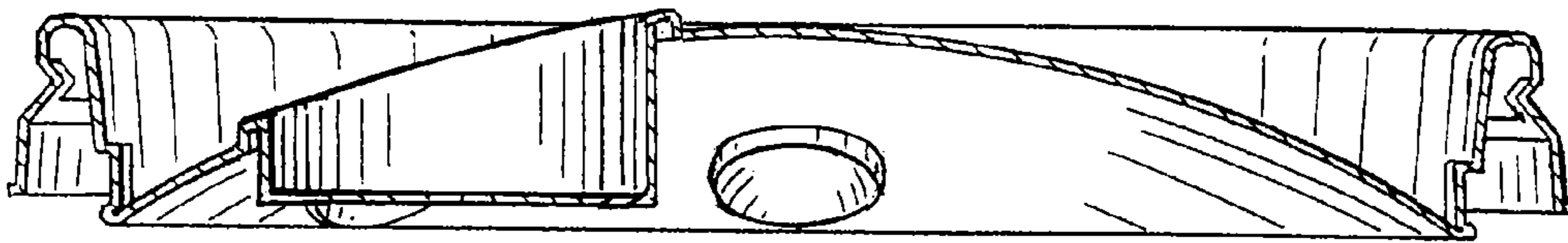


FIG.17

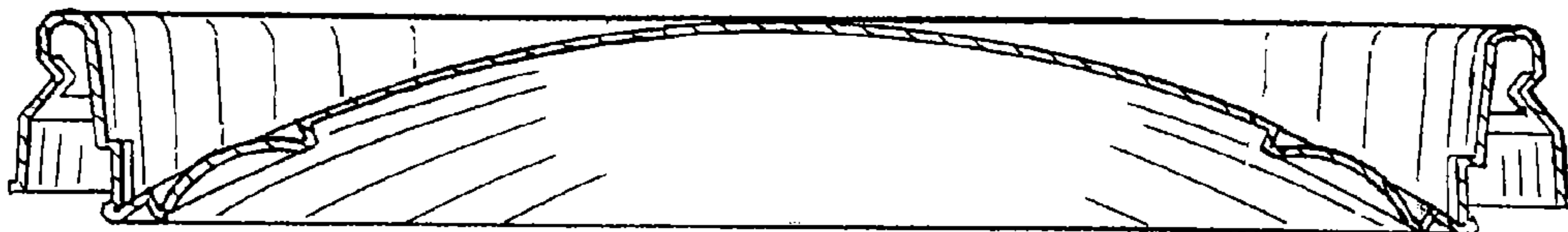


FIG.16

