



US00D588000S

(12) **United States Design Patent**  
**Goetz et al.**

(10) **Patent No.:** **US D588,000 S**  
(45) **Date of Patent:** **\*\* Mar. 10, 2009**

(54) **CABLE PACKAGING AND WINDOW**

(75) Inventors: **David Goetz**, Los Angeles, CA (US);  
**Mitchell Suckle**, Long Beach, CA (US);  
**Ernestos Quinteros**, Los Angeles, CA  
(US)

(73) Assignee: **Belkin International, Inc.**, Compton,  
CA (US)

(\*\*) Term: **14 Years**

(21) Appl. No.: **29/253,977**

(22) Filed: **Feb. 14, 2006**

(51) **LOC (9) Cl.** ..... **09-07**

(52) **U.S. Cl.** ..... **D9/434**

(58) **Field of Classification Search** ..... D9/414,  
D9/415, 418, 423, 424, 425, 428, 432, 438,  
D9/456, 518, 737, 600; D3/218, 221, 273,  
D3/288; D26/115; 206/454, 461, 462, 463,  
206/464, 465, 466, 467, 468, 469, 470, 471,  
206/589, 590, 733, 769, 770, 771, 772, 773,  
206/775, 776, 777, 781, 782, 783; D6/407,  
D6/472; 229/162.1, 162.3, 162.6, 162.7  
See application file for complete search history.

(56) **References Cited**

**U.S. PATENT DOCUMENTS**

D38,646	S	*	7/1907	Huelsenbeck	.....	D26/115
2,194,669	A	*	3/1940	Mumford	.....	206/454
D135,834	S	*	6/1943	Larkin	.....	D9/423
2,711,819	A	*	6/1955	Vander Lugt, Jr.	.....	206/777
D197,145	S	*	12/1963	Sanders	.....	D9/418
D232,525	S	*	8/1974	Caveney	.....	D9/418
D290,091	S	*	6/1987	Ware et al.	.....	D9/418
D305,618	S	*	1/1990	Blaser	.....	D9/425
D308,331	S	*	6/1990	Slavin et al.	.....	D9/737
D310,488	S	*	9/1990	Callinan	.....	D9/418
D319,975	S	*	9/1991	Mallon	.....	D9/415

D345,304	S	*	3/1994	Leader	.....	D9/418
D345,305	S	*	3/1994	Host	.....	D9/423
D360,131	S	*	7/1995	Tudor	.....	D9/418
D365,482	S	*	12/1995	Larimore	.....	D6/518
D387,982	S	*	12/1997	Kaplan	.....	D9/423
D387,987	S	*	12/1997	Neiner	.....	D9/438
D415,960	S	*	11/1999	Majdanski et al.	.....	D9/418
D441,656	S	*	5/2001	McQueen	.....	D9/456
D446,448	S	*	8/2001	Jernigan et al.	.....	D9/418
D504,771	S	*	5/2005	Boyd et al.	.....	D3/273
D506,386	S	*	6/2005	Milan	.....	D9/418
D514,441	S	*	2/2006	Snedden et al.	.....	D9/425
D520,375	S	*	5/2006	Summerford et al.	.....	D9/600
D524,642	S	*	7/2006	Suckle et al.	.....	D9/415
D529,795	S	*	10/2006	Kragtwijk	.....	D9/418
D534,419	S	*	1/2007	Hermkens et al.	.....	D9/418

\* cited by examiner

*Primary Examiner*—Robert M Spear

*Assistant Examiner*—Barbara B Lohr

(74) *Attorney, Agent, or Firm*—Fross Zelnick Lehrman &  
Zissu, P.C.; Charles T. J. Weigell, Esq.

(57) **CLAIM**

The ornamental design for cable packaging and window, as shown and described.

**DESCRIPTION**

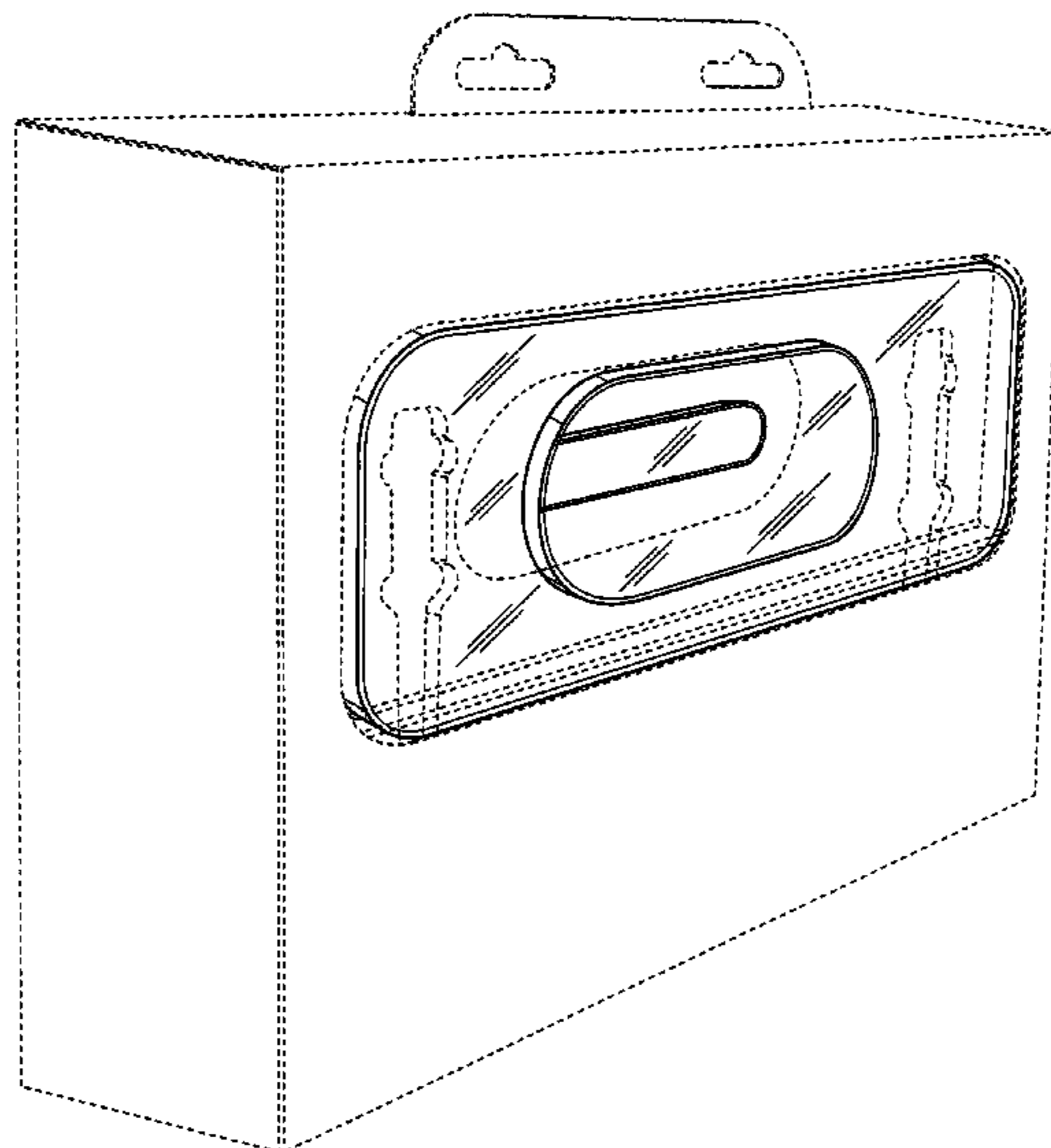
FIG. 1 is a front perspective view of a cable packaging and window showing the new design, with transparent window, on broken line cable packaging; and,

FIG. 2 is a front view of the cable packaging and window shown in FIG. 1.

The bottom, rear, and sides of the cable packaging are plain and unornamented, and form no part of the claimed design.

The broken line showing of the body of the cable packaging is for illustrative purposes only and forms no part of the claimed design.

**1 Claim, 2 Drawing Sheets**



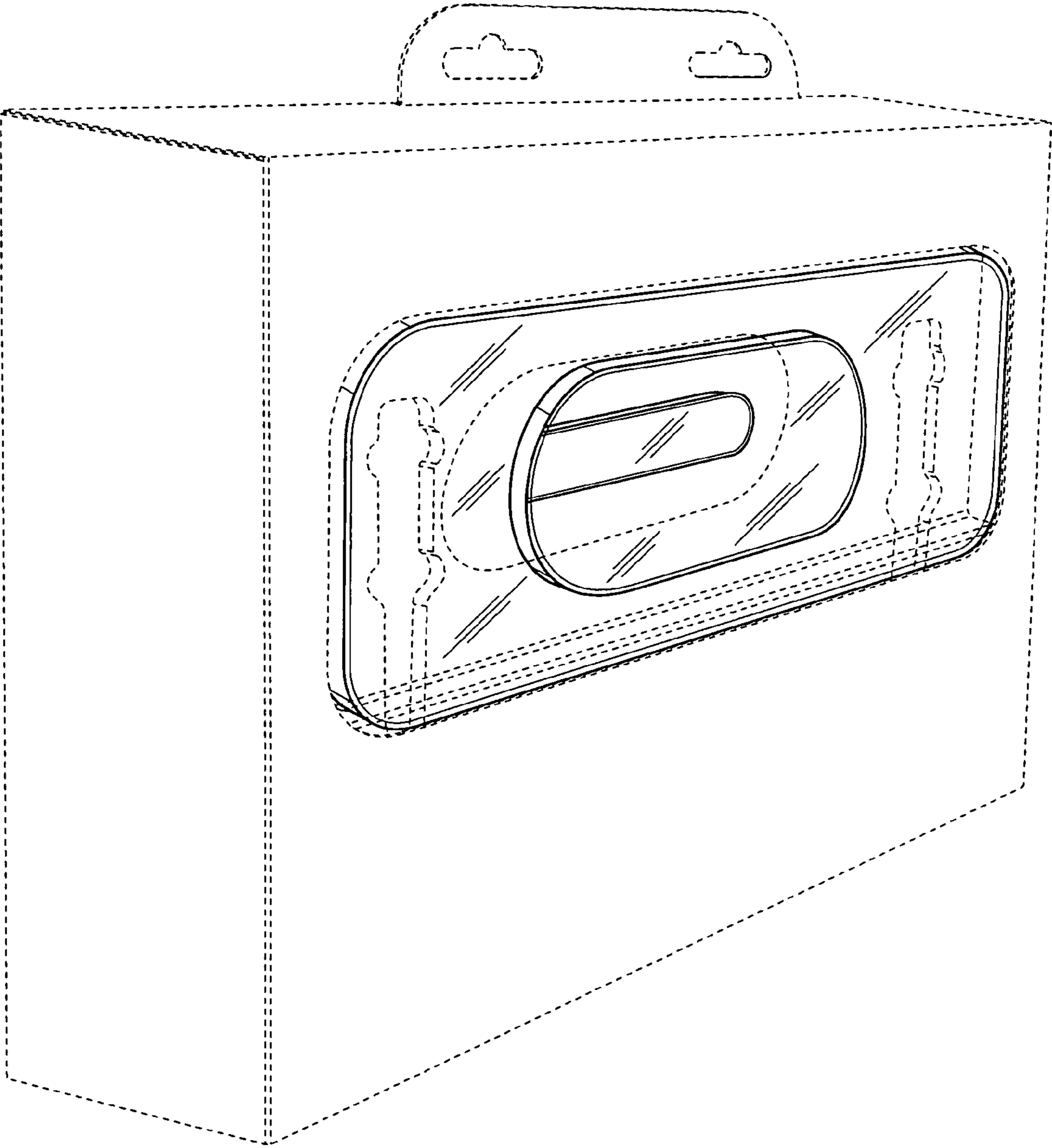


FIG. 1

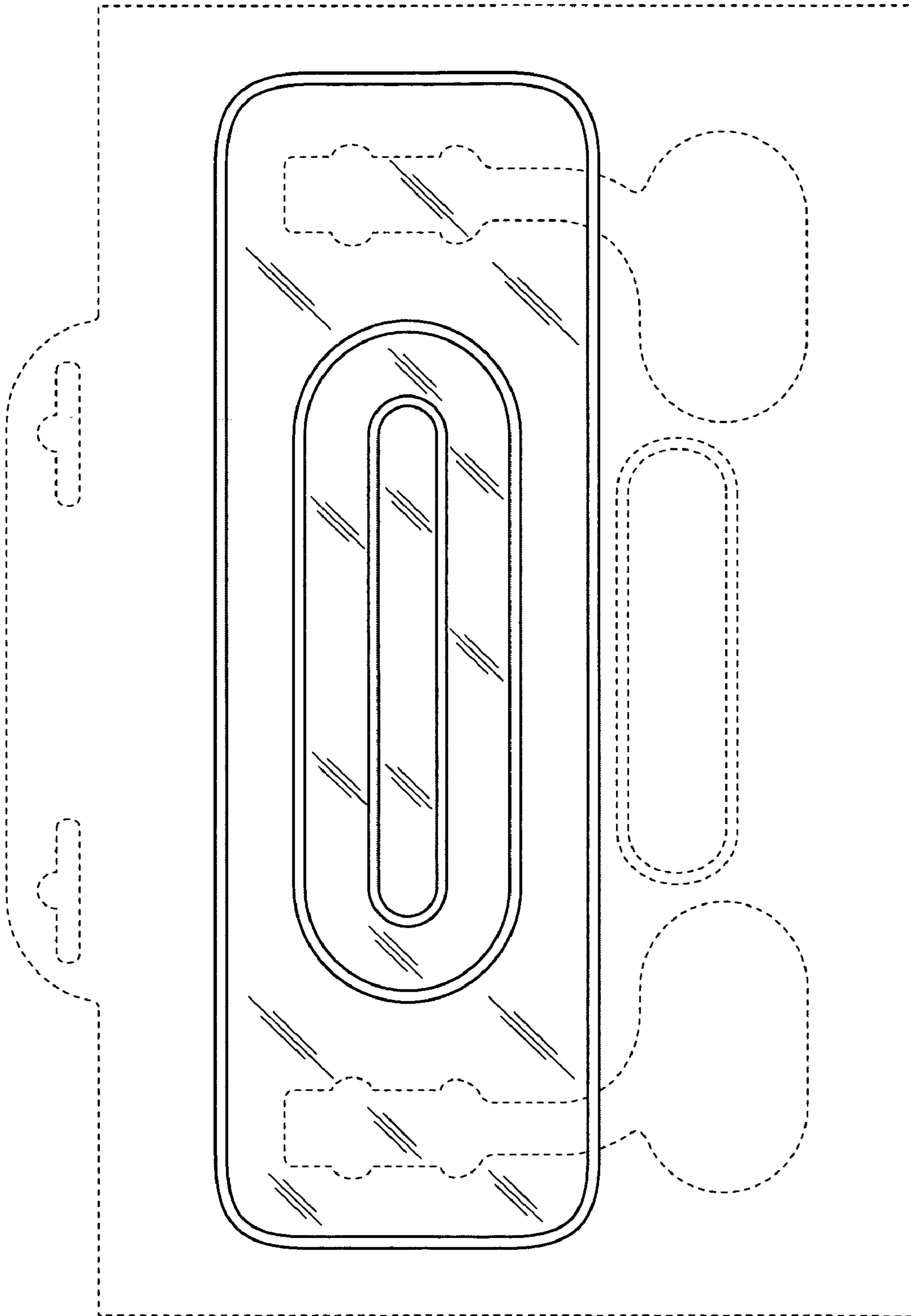


FIG. 2