



US00D587999S

(12) **United States Design Patent**
Schulthess

(10) **Patent No.:** **US D587,999 S**
(45) **Date of Patent:** **** Mar. 10, 2009**

(54) **VENT FOR FOOD PACKAGING**

D474,997 S * 5/2003 Berzack D11/222
D492,923 S * 7/2004 Whitehead D12/204
D518,373 S * 4/2006 Schulthess D9/434

(75) Inventor: **Markus Schulthess**, Volketswil (CH)

* cited by examiner

(73) Assignee: **Wipf AG**, Volketswil (CH)

Primary Examiner—Susan B Hattan

(**) Term: **14 Years**

(74) *Attorney, Agent, or Firm*—Harrity & Harrity, LLP

(21) Appl. No.: **29/250,757**

(57) **CLAIM**

(22) Filed: **Nov. 30, 2006**

The ornamental design for a vent for food packaging, as shown and described.

(30) **Foreign Application Priority Data**

Oct. 26, 2006 (EM) 000620828

DESCRIPTION

(51) **LOC (9) Cl.** **09-07**

A portion of the disclosure of this patent document may contain material to which a claim for copyright and trademark is made. The copyright and trademark owner has no objection to the reproduction of the patent document or the patent disclosure, as it appears in the U.S. Patent Office records, but reserves all other copyright and trademark rights whatsoever.

(52) **U.S. Cl.** **D9/434; D9/454**

FIG. 1 is a bottom perspective view of a vent for food packaging showing the design.

(58) **Field of Classification Search** D9/734,
D9/722, 652, 457, 454, 447, 443, 435, 434,
D9/432, 430, 418, 415, 414; D8/367, 300;
D6/515; D20/40, 27, 22, 11, 10; D14/495,
D14/491, 489, 488, 487; D11/95, 84, 83,
D11/81, 241, 240, 238, 225, 224, 223, 116;
294/158, 145; 221/63, 48, 305, 303; 229/117.23;
16/444

FIG. 2 is a top perspective view of the vent for food packaging shown in FIG. 1.

See application file for complete search history.

FIG. 3 is a bottom view of the vent for food packaging shown in FIG. 1.

(56) **References Cited**

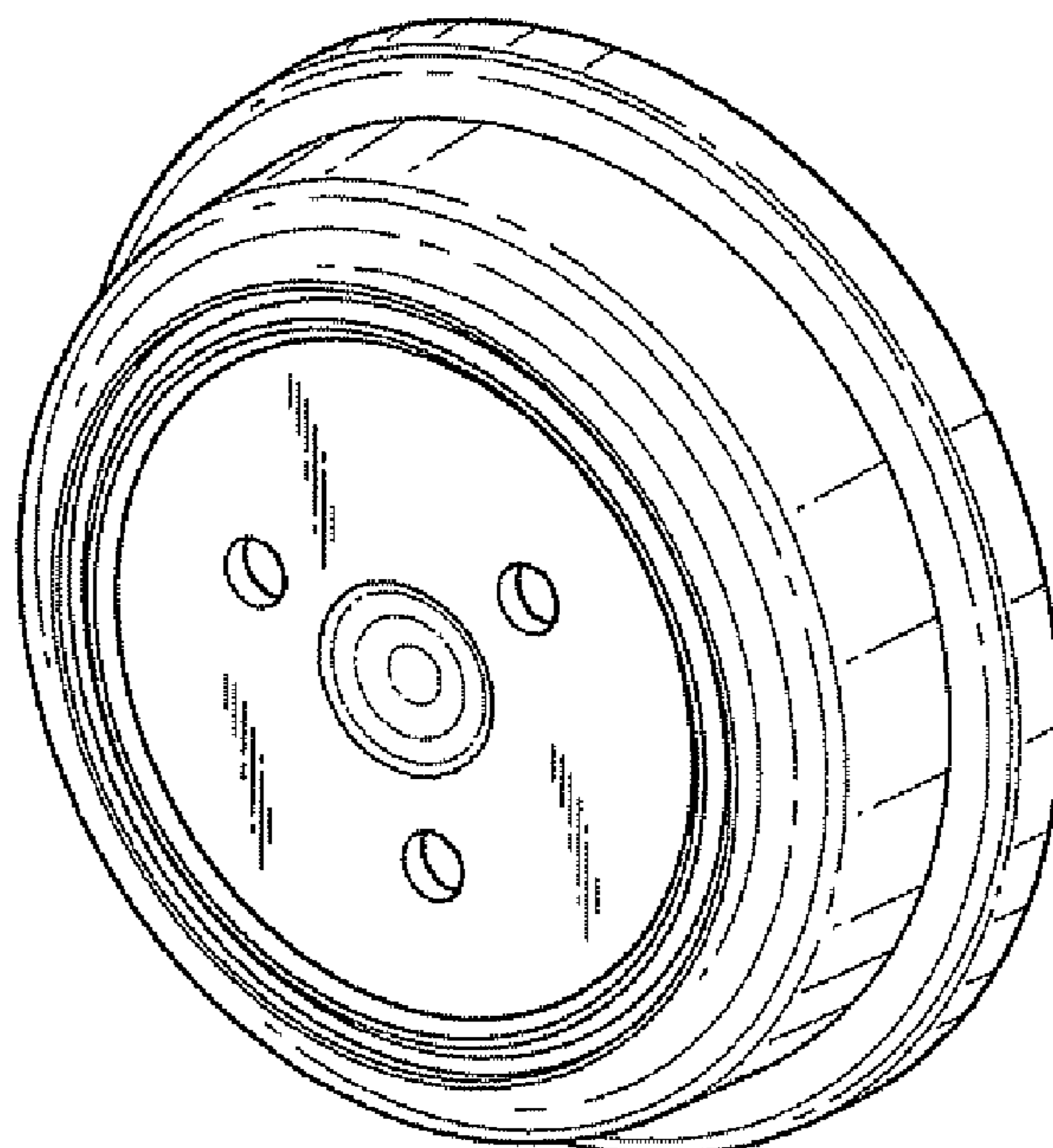
U.S. PATENT DOCUMENTS

D259,704 S * 6/1981 Castronovo D9/447
D312,784 S * 12/1990 Cochran et al. D9/434
D407,975 S * 4/1999 Lund et al. D9/434
D441,290 S * 5/2001 West D9/443

FIG. 4 is a side view of the vent for food packaging shown in FIG. 1; and,

FIG. 5 is a top view of the vent for food packaging shown in FIG. 1.

1 Claim, 5 Drawing Sheets



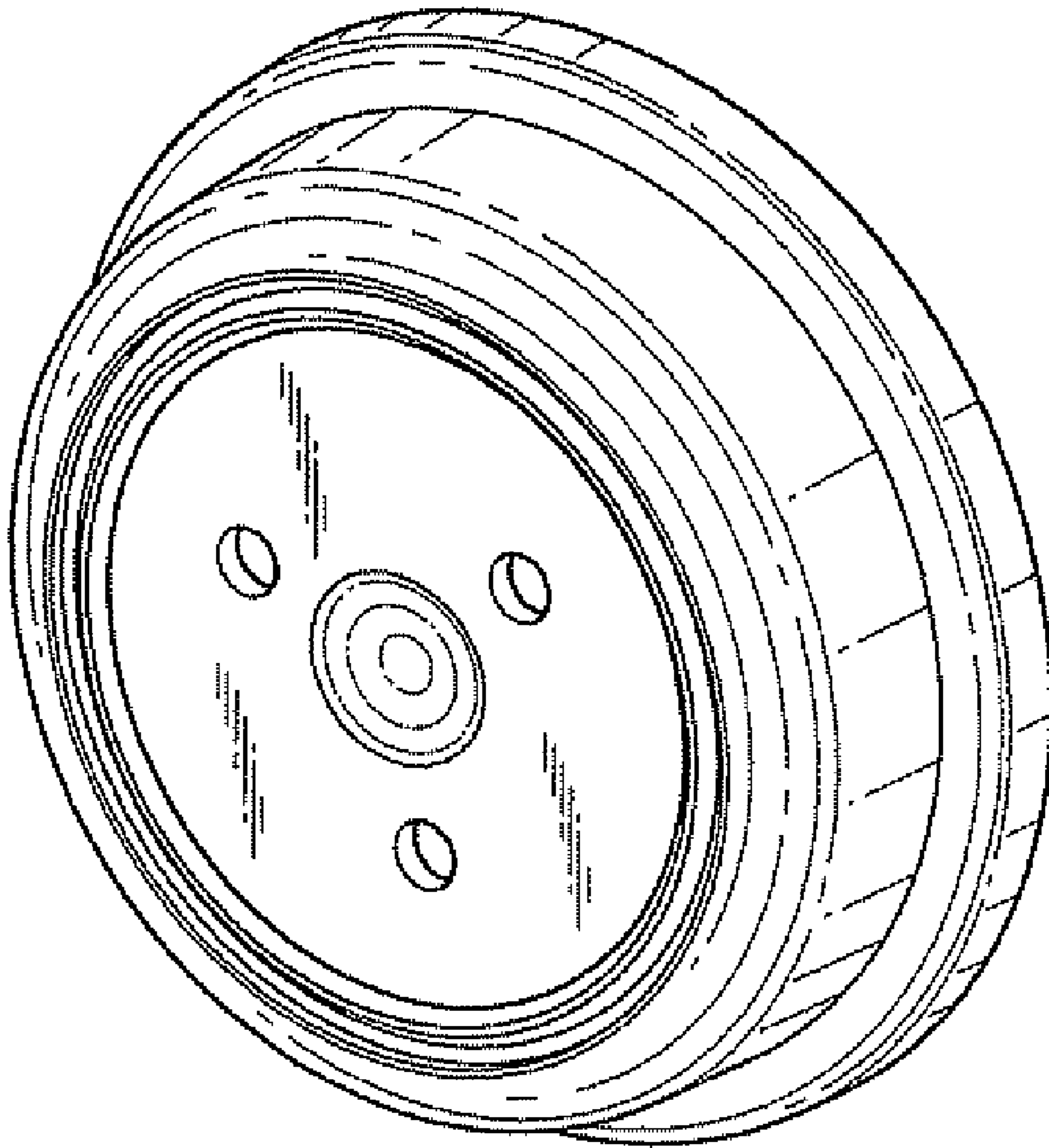


FIG. 1

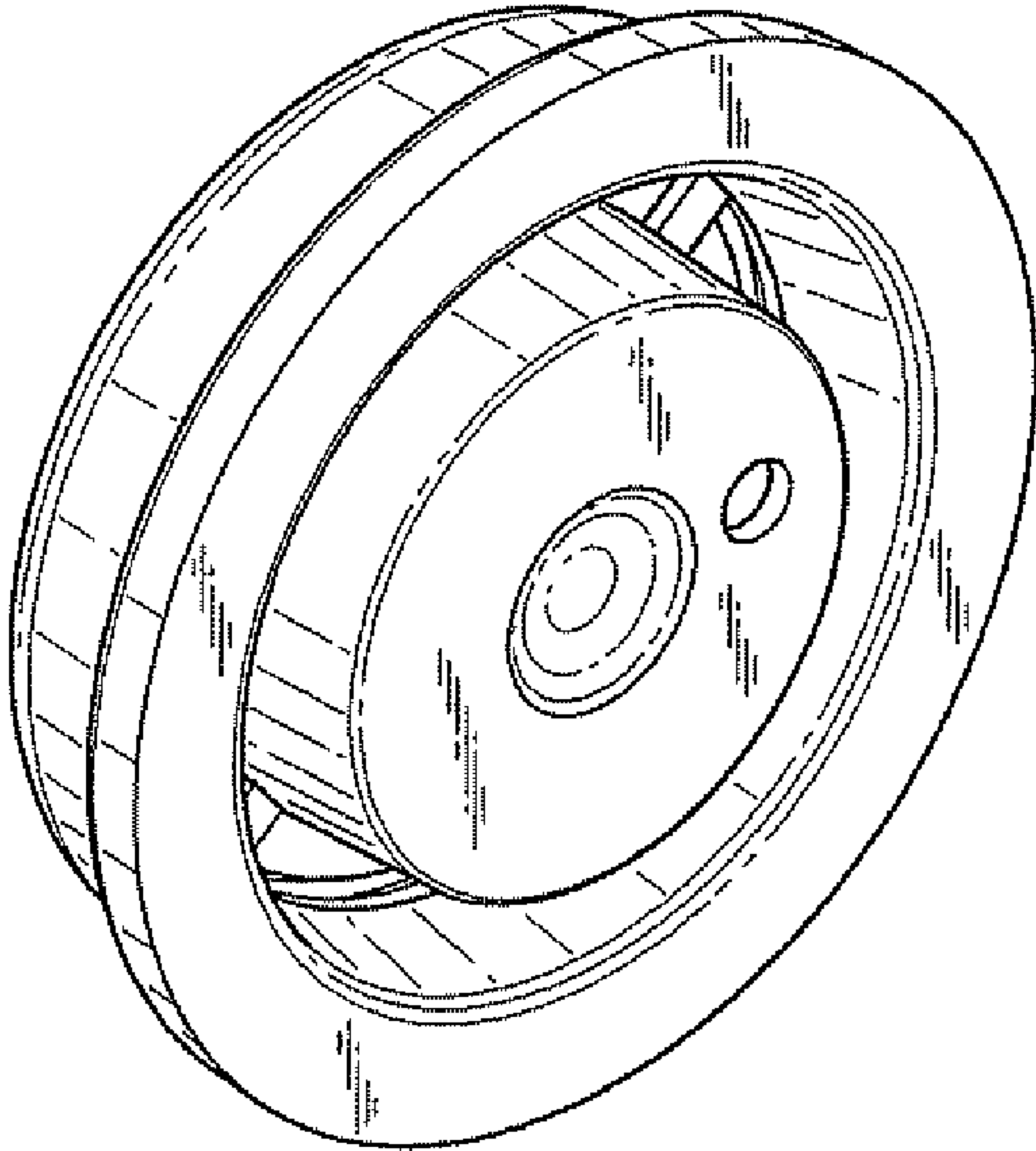


FIG. 2

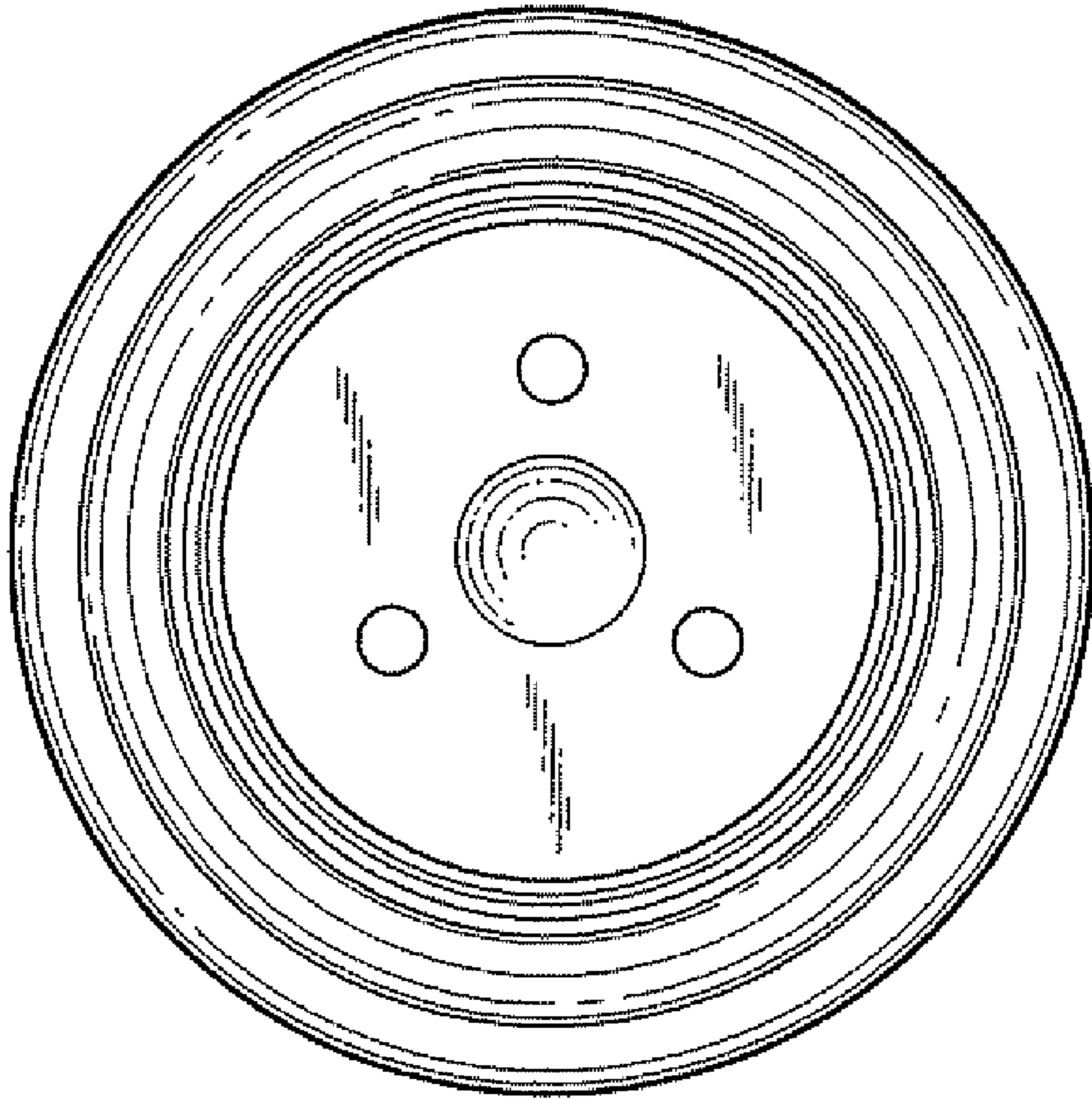


FIG. 3

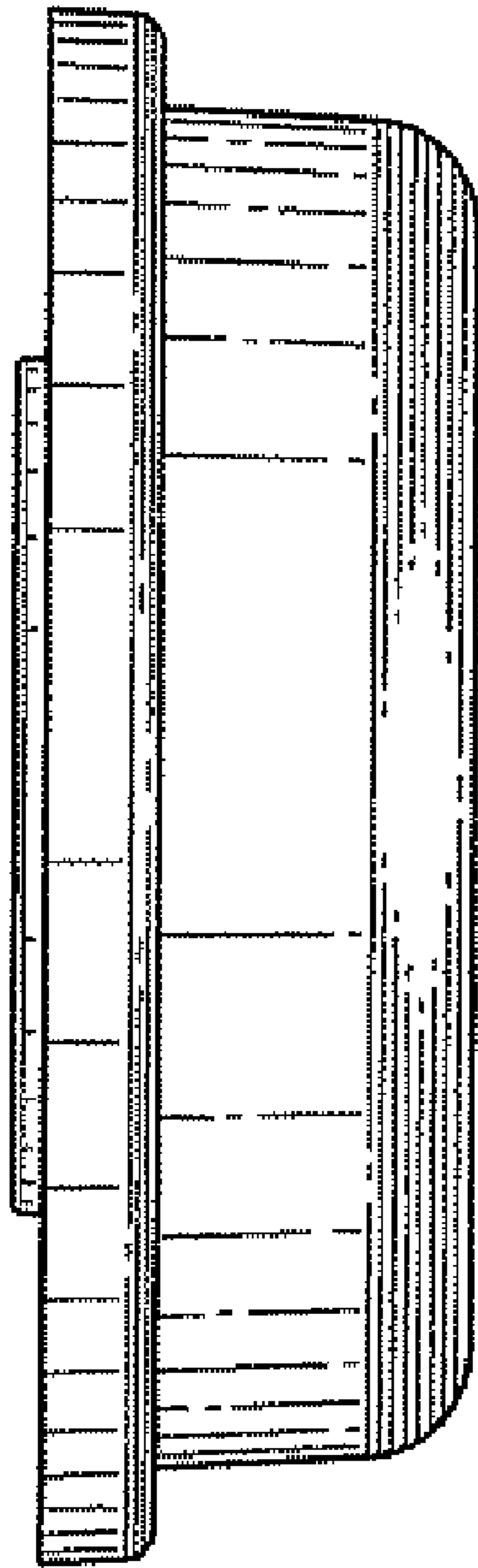


FIG. 4

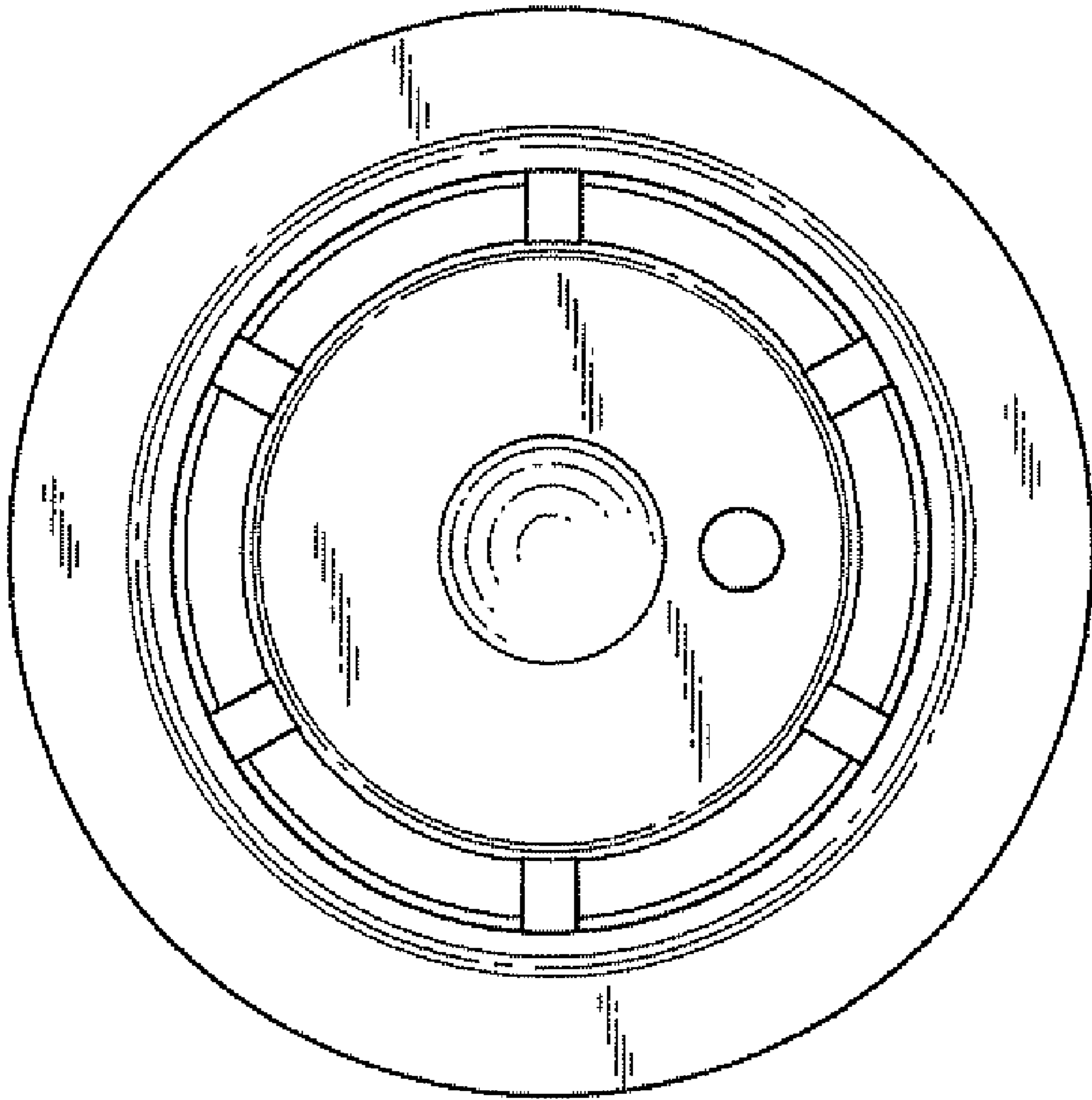


FIG. 5