



US00D587996S

(12) **United States Design Patent**
Steiger et al.

(10) **Patent No.:** **US D587,996 S**
(45) **Date of Patent:** **** Mar. 10, 2009**

(54) **BOX**
(75) Inventors: **Dennis Irwin Steiger**, New Milford, CT (US); **Claudia Bugni**, Vinhedo SP (BR); **Bernd Jansing**, Buxtehude (DE); **Richard William Seymour**, Gwent Wales (GB); **Adrian Barclay Caroan**, Sussex (GB); **Ian Peter Whatley**, London (GB)

(73) Assignee: **Conopco, Inc.**, Englewood Cliffs, NJ (US)

(**) Term: **14 Years**

(21) Appl. No.: **29/269,593**

(22) Filed: **Dec. 4, 2006**

(51) **LOC (9) Cl.** **09-03**

(52) **U.S. Cl.** **D9/432**

(58) **Field of Classification Search** D9/430-433, D9/414-418, 420-429, 560, 737, 756, 631, D9/636, 640, 642; D3/273, 302, 304, 305, D3/307, 309-312, 314, 317, 318, 901, 905; 206/421, 454, 457, 775-778, 784, 822; 220/500, 220/523-529, 552, 555; 229/100, 103.3, 229/104-106, 108, 108.1, 109, 110, 111, 229/112, 117.09, 117.12, 117.15, 120, 125.015, 229/160.1, 162.1, 182.1, 215, 247, 406, 407, 229/902, 920, 922, 930, 942; D2/731, 748; D6/396, 407, 629, 633
See application file for complete search history.

(56) **References Cited**

U.S. PATENT DOCUMENTS

485,790 A * 11/1892 Ettliger 229/116.1
1,667,975 A * 5/1928 Labombarde 229/152
2,447,563 A * 8/1948 Buttery 229/149
2,844,297 A * 7/1958 Holmes 229/228
2,887,389 A * 5/1959 Linville 426/124
3,235,167 A * 2/1966 Svensson 229/228
3,362,527 A * 1/1968 Watson 206/45.29

D234,339 S * 2/1975 Shiffman D9/420
D244,994 S * 7/1977 Flanagan D9/423
4,141,449 A * 2/1979 Stone 229/223
4,191,323 A * 3/1980 Webinger 229/116.1
D270,812 S * 10/1983 Fontlladosa D9/607
D297,415 S * 8/1988 Gavin et al. D9/416
D336,428 S * 6/1993 Buratto D9/432
D345,101 S * 3/1994 Abrams D9/423
D365,023 S * 12/1995 Abrams et al. D9/423
D376,759 S * 12/1996 Bradfield D9/432
D395,600 S * 6/1998 Borghorst et al. D9/432
D444,381 S * 7/2001 Barr D9/416
D454,494 S * 3/2002 Bryan et al. D9/430
D454,495 S * 3/2002 Bryan et al. D9/433
D460,689 S * 7/2002 Robinson D9/416
D484,046 S * 12/2003 Kopecky D9/432
D494,863 S * 8/2004 Hamuro et al. D9/432
D549,096 S * 8/2007 Ayats et al. D9/430
D561,023 S * 2/2008 Jacxsens et al. D9/431

* cited by examiner

Primary Examiner—T. Chase Nelson

Assistant Examiner—Karen Acker

(74) *Attorney, Agent, or Firm*—Alan A. Bornstein

(57) **CLAIM**

The ornamental design for a box, as shown and described.

DESCRIPTION

FIG. 1 is a front perspective view of a box showing our new design;

FIG. 2 is a front elevational view thereof;

FIG. 3 is a back elevational view thereof;

FIG. 4 is a right side elevational view thereof;

FIG. 5 is a left side elevational view thereof;

FIG. 6 is a top plan view thereof; and,

FIG. 7 is a bottom plan view thereof.

The broken line showing is for illustrative purposes only and forms no part of the claimed design.

1 Claim, 3 Drawing Sheets

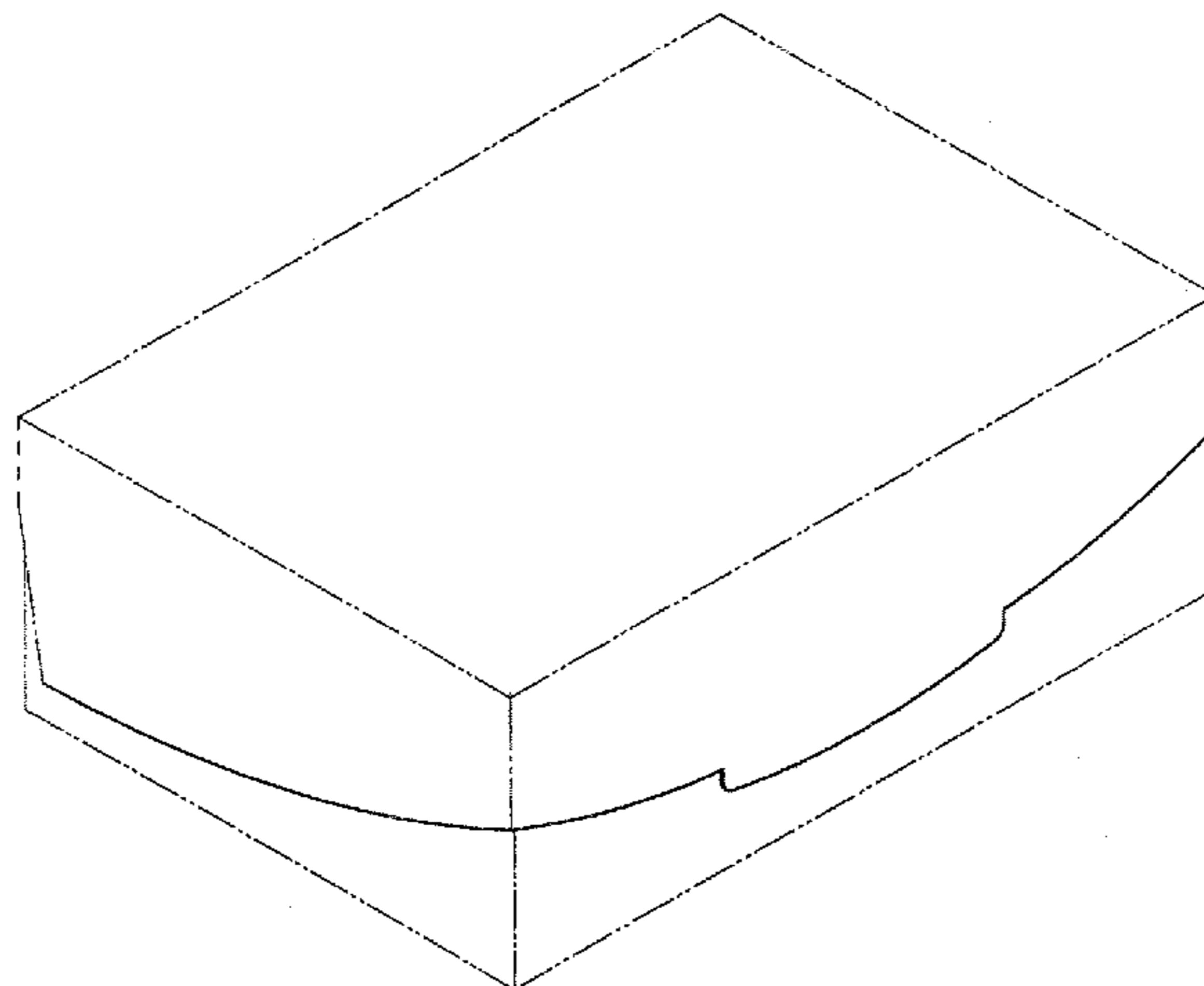


FIG. 1

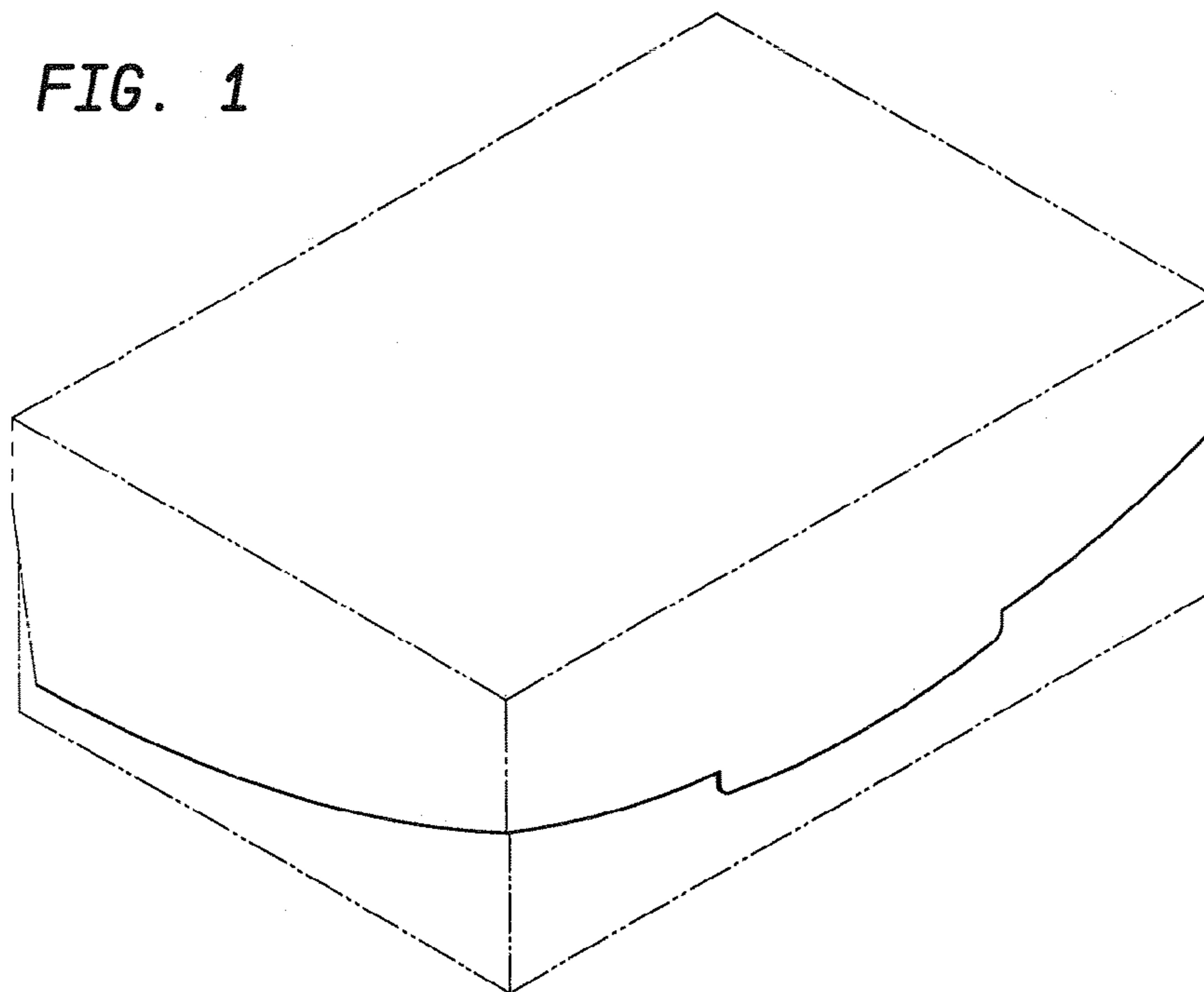


FIG. 2

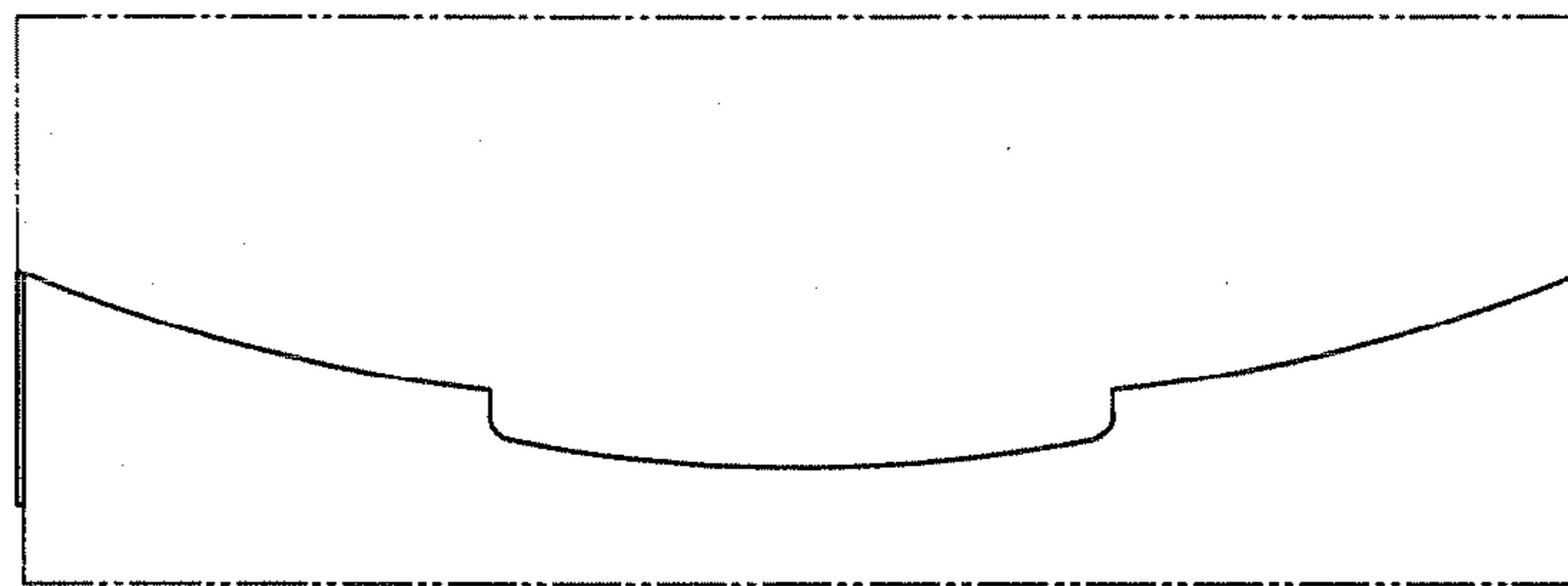


FIG. 3

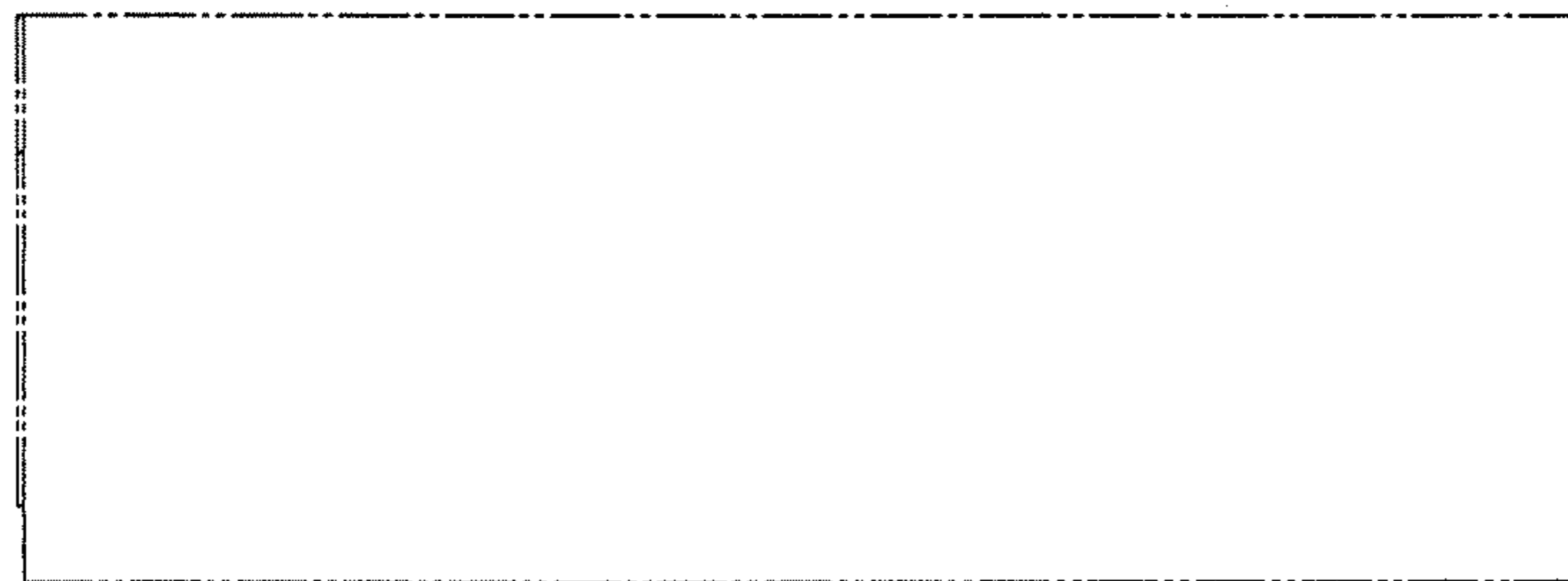


FIG. 4

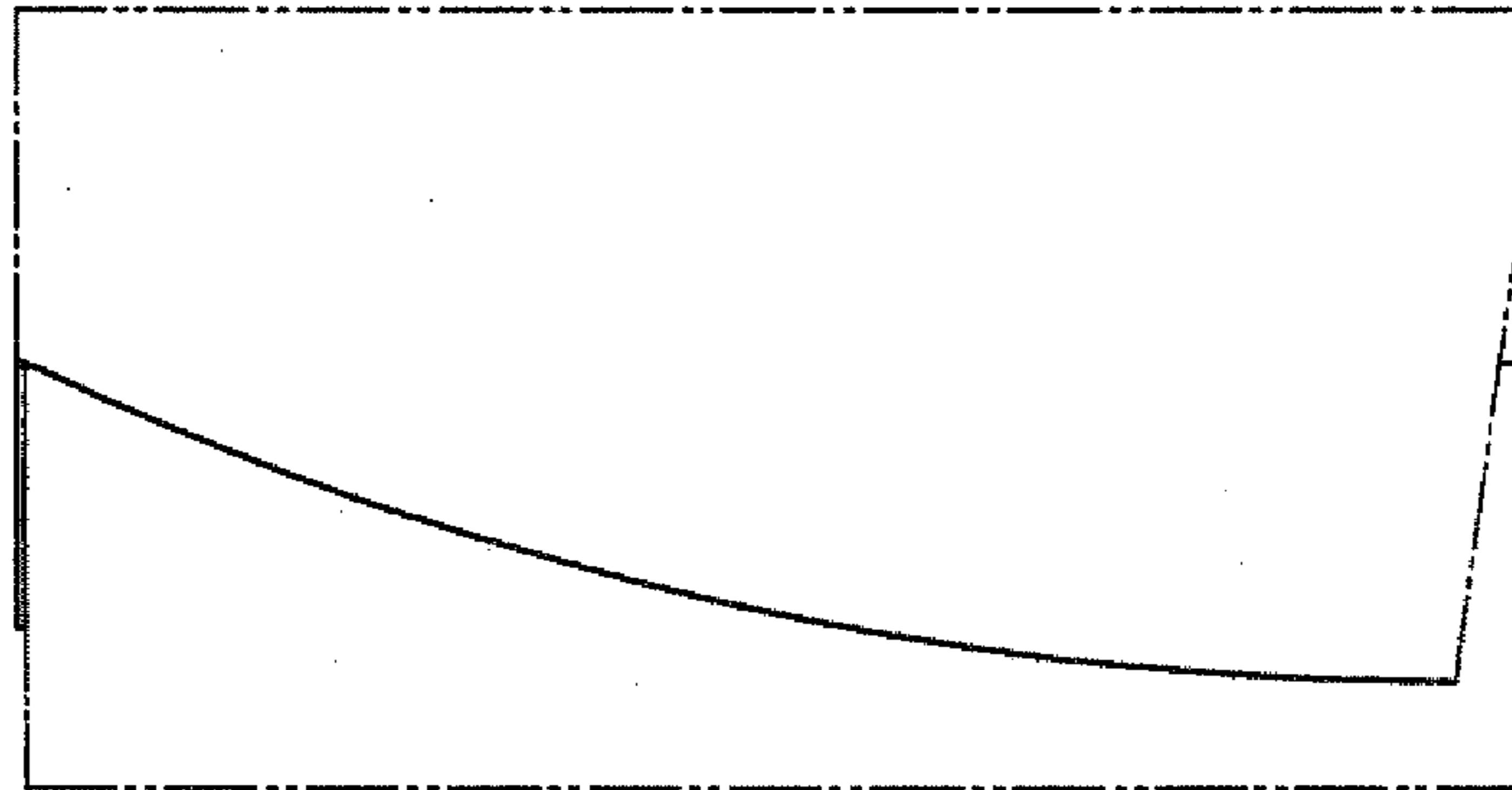


FIG. 5

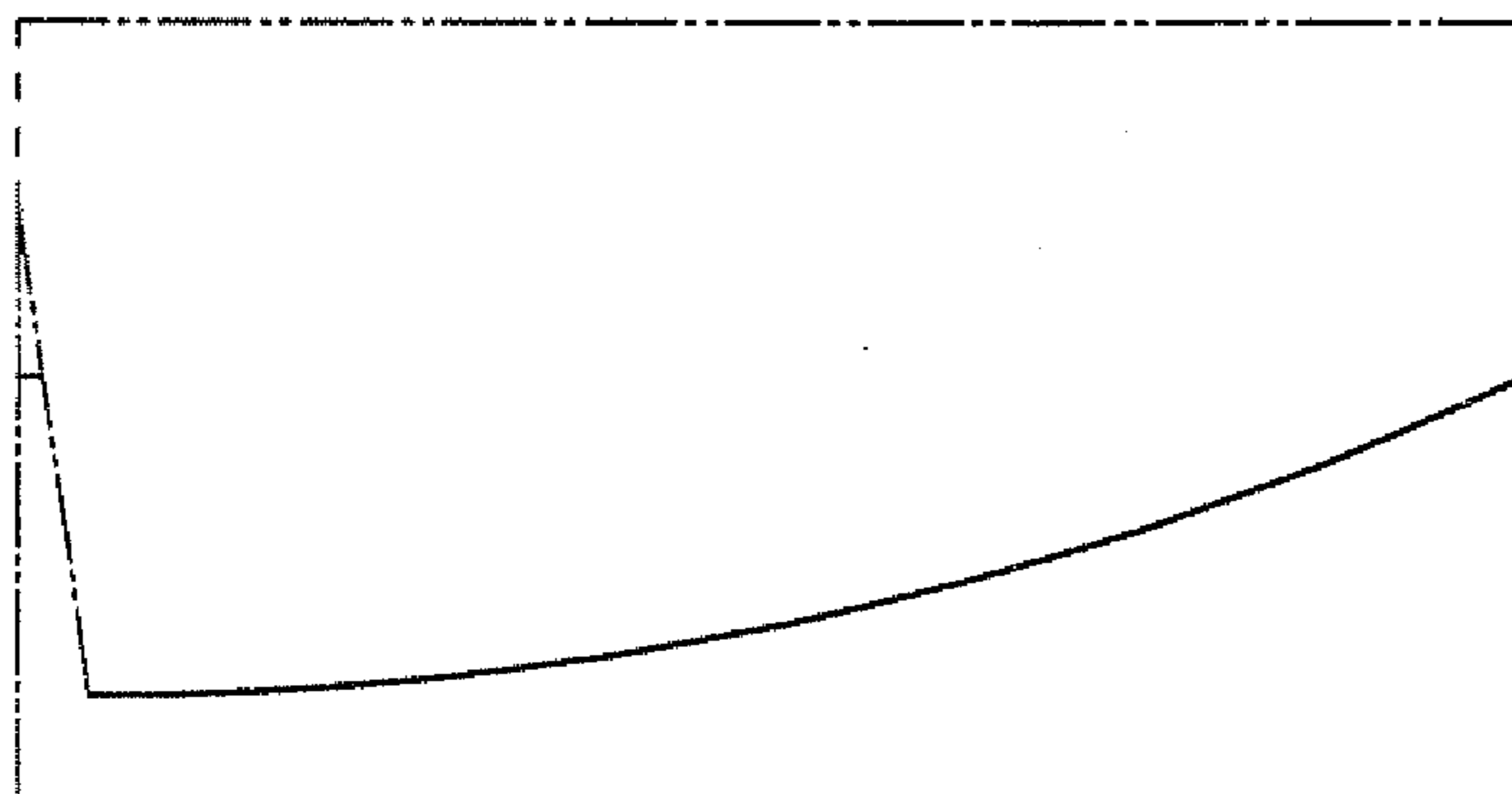


FIG. 6

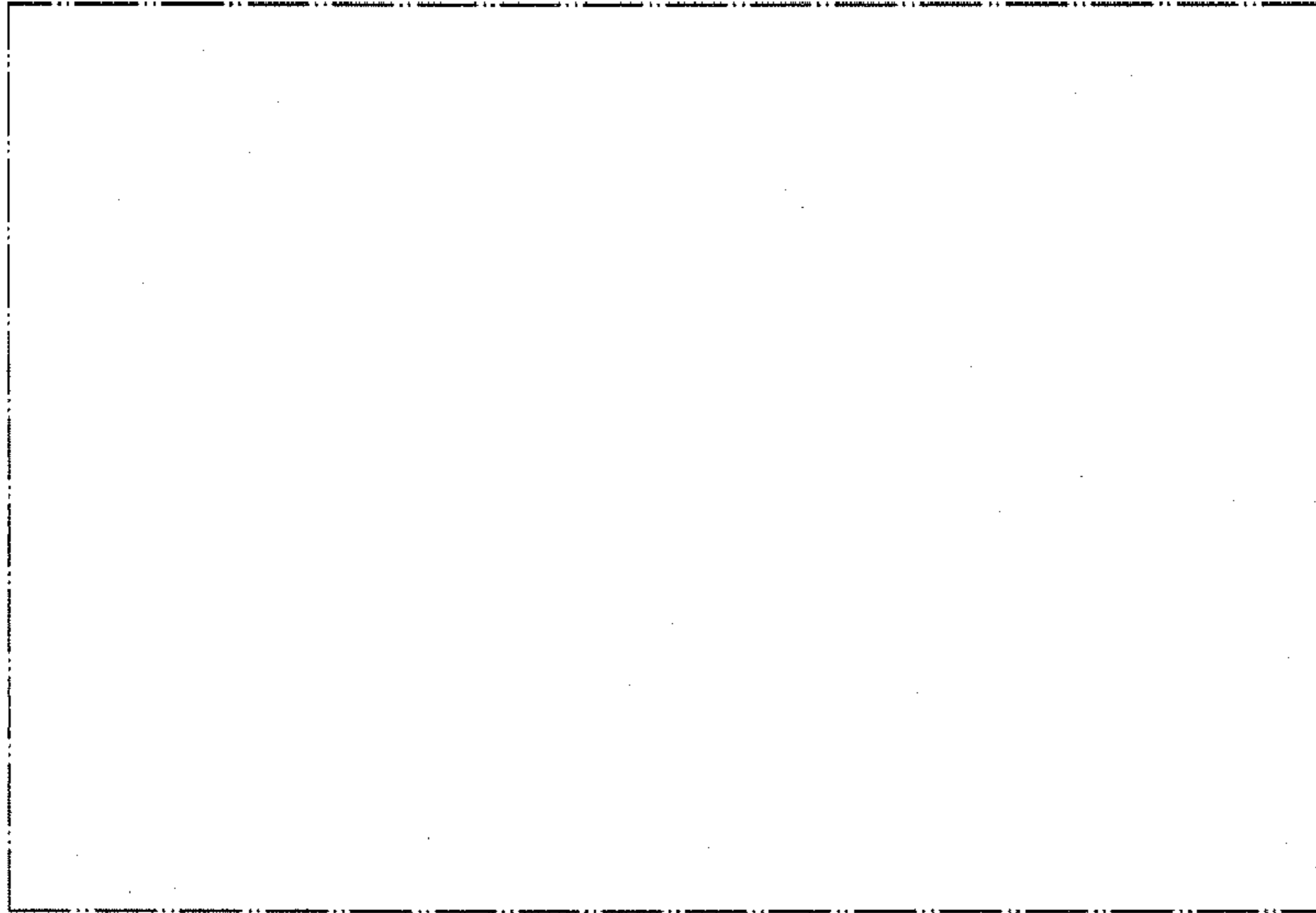


FIG. 7

