



US00D587995S

(12) **United States Design Patent**
Studee

(10) **Patent No.:** **US D587,995 S**
(45) **Date of Patent:** **** Mar. 10, 2009**

(54) **PROPELLOR CUP TRAY**
(75) Inventor: **Stephen B. Studee**, Cross Plains, WI
(US)
(73) Assignee: **Plastic Ingenuity, Inc.**, Cross Plains, WI
(US)

D452,821 S * 1/2002 Westphal D9/429
D453,107 S * 1/2002 Wyslowsky et al. D9/418
D466,407 S * 12/2002 Nance D9/424
D468,200 S * 1/2003 Kim et al. D9/428
D469,688 S * 2/2003 Kim et al. D9/667
D472,465 S * 4/2003 Nance D9/424

(**) Term: **14 Years**
(21) Appl. No.: **29/277,808**
(22) Filed: **Mar. 9, 2007**

* cited by examiner

Primary Examiner—Stella M Reid
Assistant Examiner—Derrick Holland
(74) *Attorney, Agent, or Firm*—Rick L. Abegglen

(51) **LOC (9) Cl.** **09-03**
(52) **U.S. Cl.** **D9/424**
(58) **Field of Classification Search** D9/424,
D9/414, 419, 425, 428, 429, 430, 452, 454;
D7/601, 602, 603; D11/152, 153; 206/423,
206/563, 822; 220/659, 669, 674, 675; 229/400,
229/403, 405, 406, 407, 800
See application file for complete search history.

(57) **CLAIM**

I claim the ornamental design for a propellor cup tray, as shown and described.

(56) **References Cited**
U.S. PATENT DOCUMENTS

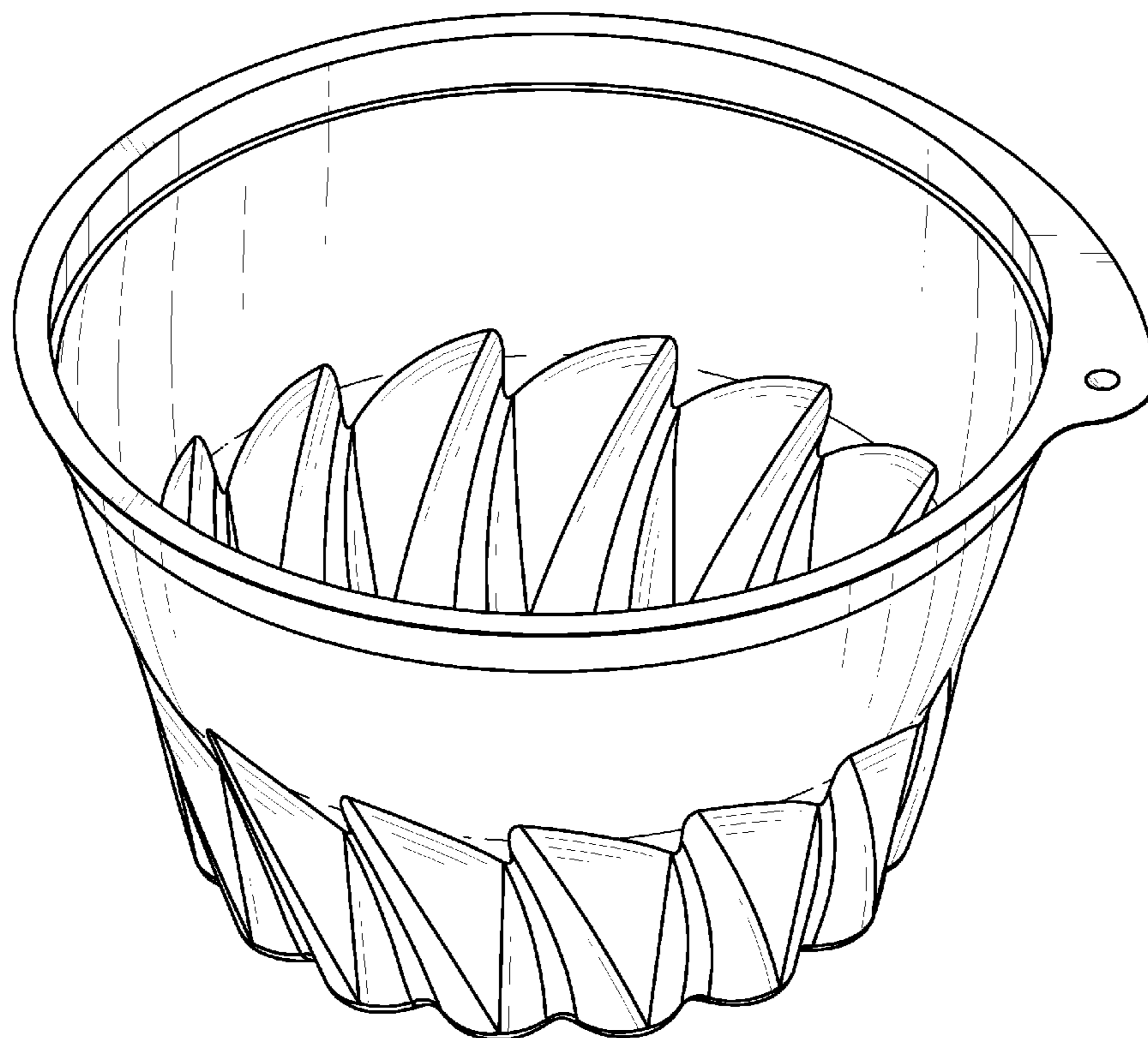
DESCRIPTION

FIG. 1 is a perspective view of a propellor cup tray showing my new design;
FIG. 2 is a top view thereof;
FIG. 3 is a bottom view thereof; and,
FIG. 4 is a side view thereof.

D192,191 S * 2/1962 Chung Han D9/429
D204,212 S * 3/1966 Davis D9/429
3,934,725 A * 1/1976 Edwards 206/519
4,446,969 A * 5/1984 Tyler 206/519
D426,160 S * 6/2000 Lindsay et al. D9/500
6,152,362 A * 11/2000 Rosenfeld 229/400

The ornamental design which is claimed is shown in solid lines in the drawings. The shaded areas and broken lines in the drawings are for illustrative purposes only and form no part of the claimed design.

1 Claim, 4 Drawing Sheets



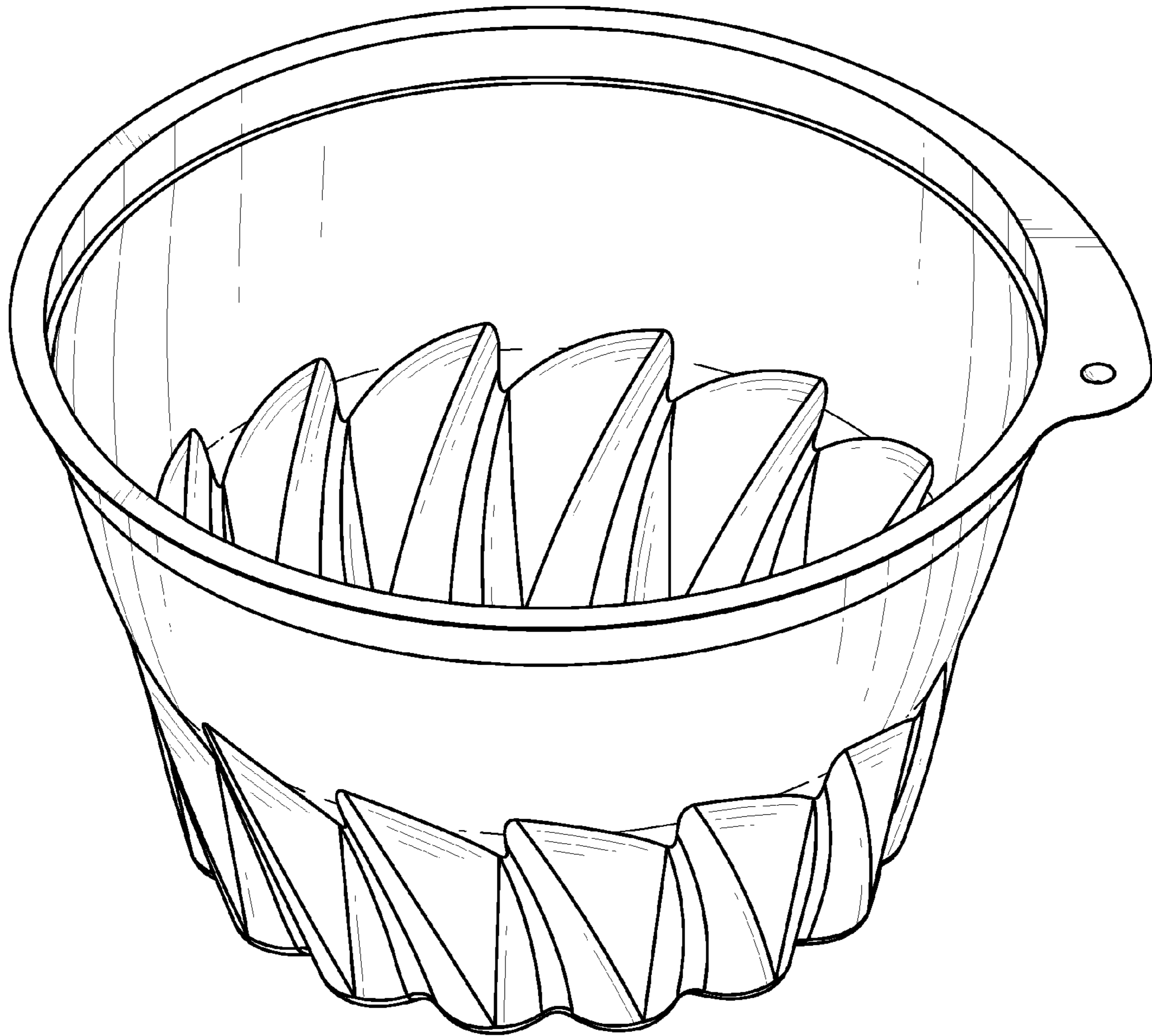


FIG. 1

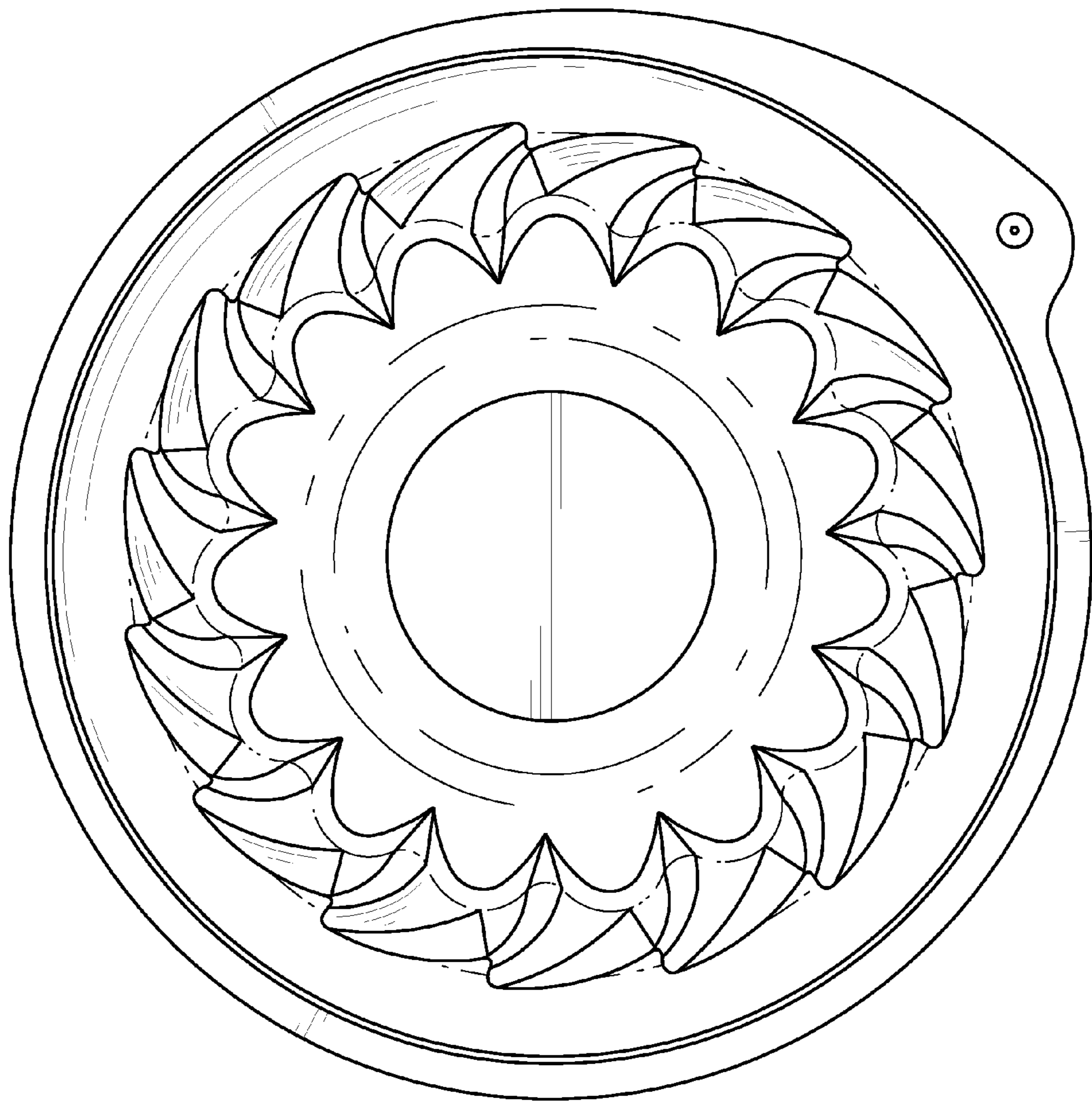


FIG. 2

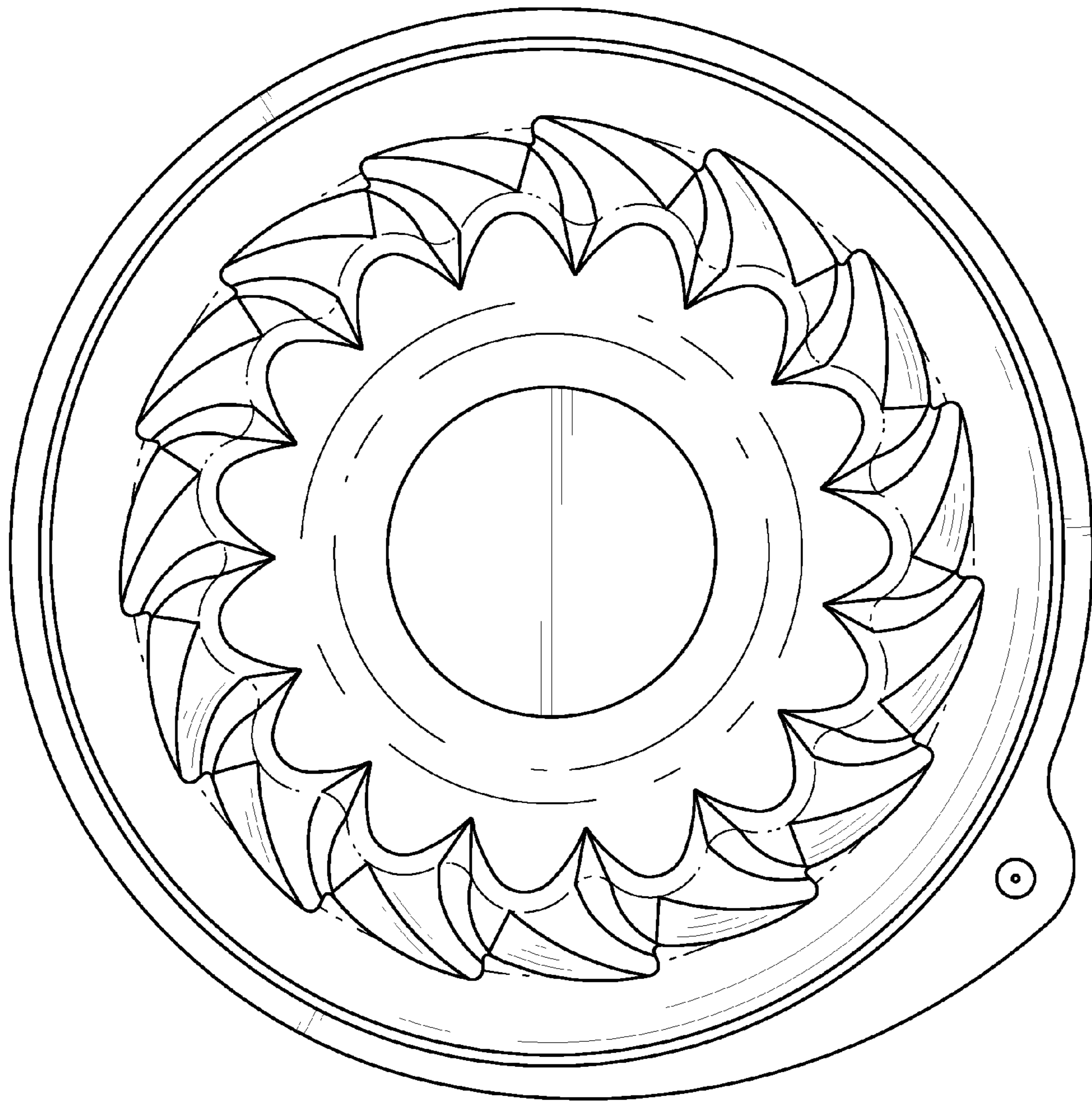


FIG. 3

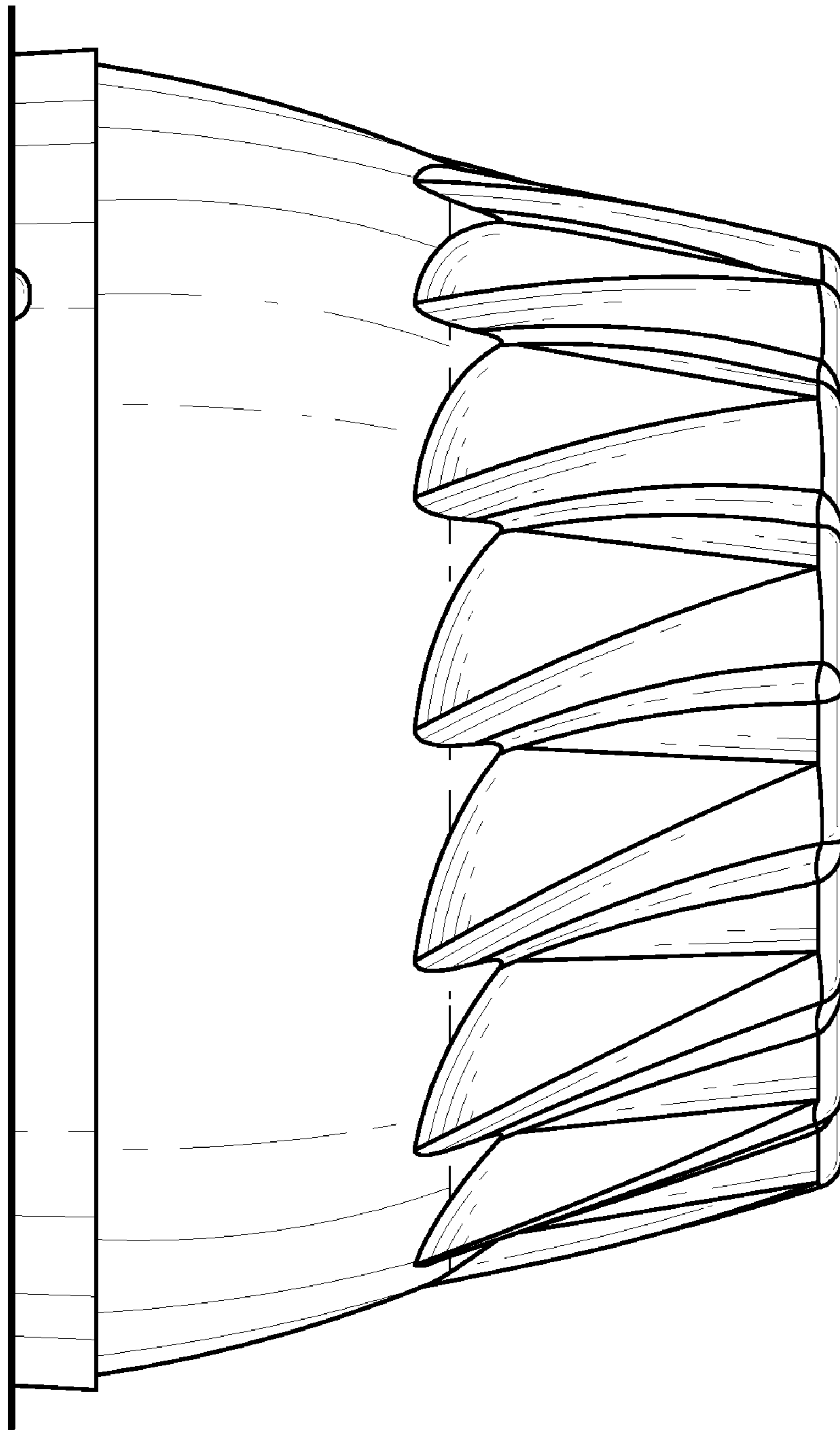


FIG. 4