



US00D587994S

(12) **United States Design Patent**
Masotta et al.

(10) **Patent No.:** **US D587,994 S**
(45) **Date of Patent:** **** Mar. 10, 2009**

(54) **PACKAGE**

(75) Inventors: **Vincent Michael Masotta**, Ridgefield, CT (US); **Stuart Harvey Lee**, Forest Hills, NY (US); **Jochen Rainer Schaeppers**, New York, NY (US)

(73) Assignee: **Conopco, Inc.**, Englewood Cliffs, NJ (US)

(**) Term: **14 Years**

(21) Appl. No.: **29/294,492**

(22) Filed: **Jan. 14, 2008**

(51) **LOC (9) Cl.** **09-03**

(52) **U.S. Cl.** **D9/418; D9/426**

(58) **Field of Classification Search** D9/414-415, D9/418, 423-429, 431-432, 435, 452-453, D9/515, 761; D7/354, 360, 504, 500, 538, D7/540, 543, 545, 550.1, 553.6, 554.2, 557, D7/565, 584-585, 602, 629, 672; D3/201, D3/203.1-203.3, 284, 294, 295, 304, 307-314; 220/4.21-4.24, 23.8, 23.87, 266, 276, 345, 220/377, 532-533, 655, 675, 781-784, 787, 220/790-791, 793, 835; 206/45.19, 45.32, 206/386, 425, 438, 470, 503, 508, 509, 511, 206/518-521, 541, 555, 558, 560, 564, 625, 206/643; 229/120, 125, 406; 426/106, 119, 426/129, 234; 219/734

See application file for complete search history.

(56) **References Cited**

U.S. PATENT DOCUMENTS

3,127,993 A * 4/1964 Phipps 206/484
3,800,998 A * 4/1974 Gask 229/406
D256,727 S * 9/1980 Borg et al. D24/220

D303,763 S * 10/1989 DeMarco D9/415
D352,236 S * 11/1994 Althaus D9/415
D364,803 S * 12/1995 Wada D9/415
D381,263 S * 7/1997 O'Brien et al. D9/415
D383,386 S * 9/1997 Loubach D9/415
5,842,567 A * 12/1998 Rowe et al. 206/364
D416,484 S * 11/1999 Voden D9/415
6,012,580 A * 1/2000 Peters et al. 206/470
D432,410 S * 10/2000 Schwartz D9/415
7,143,893 B2 * 12/2006 Kelly 206/162

* cited by examiner

Primary Examiner—Robert M Spear

Assistant Examiner—Susan E Krakower

(74) *Attorney, Agent, or Firm*—Alan A. Bornstein

(57) **CLAIM**

The ornamental design for a package, as shown and described.

DESCRIPTION

FIG. 1 is a front perspective view of a package showing our new design;

FIG. 2 is a front elevational view thereof;

FIG. 3 is a back elevational view thereof;

FIG. 4 is a right side elevational view thereof;

FIG. 5 is a left side elevational view thereof;

FIG. 6 is a top plan view thereof;

FIG. 7 is a bottom plan view thereof; and,

FIG. 8 is a front perspective view thereof, viewed with unclaimed subject matter removed for clarity of disclosure.

The broken lines in the drawings represent unclaimed environmental subject matter.

1 Claim, 7 Drawing Sheets

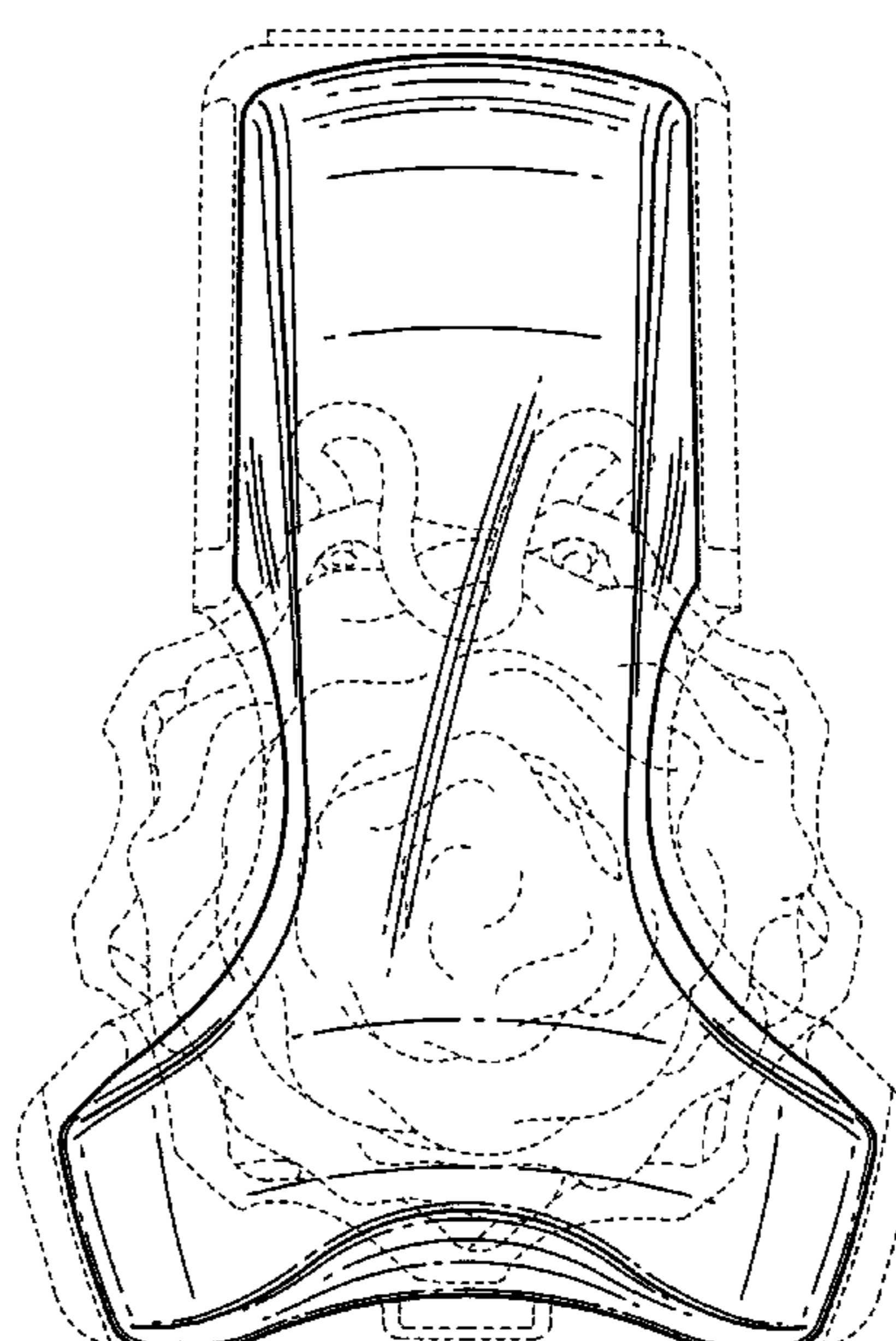
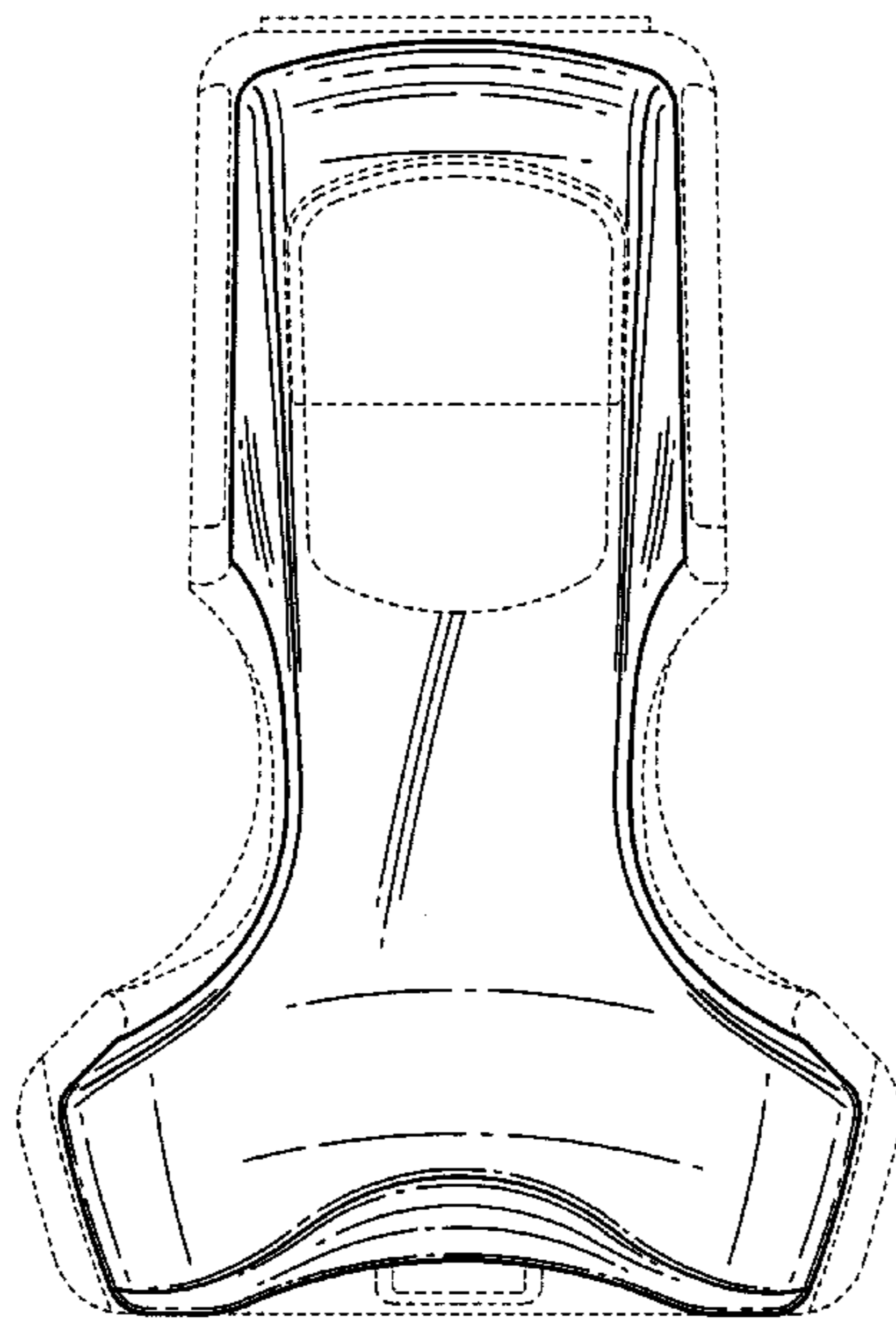


FIG. 1

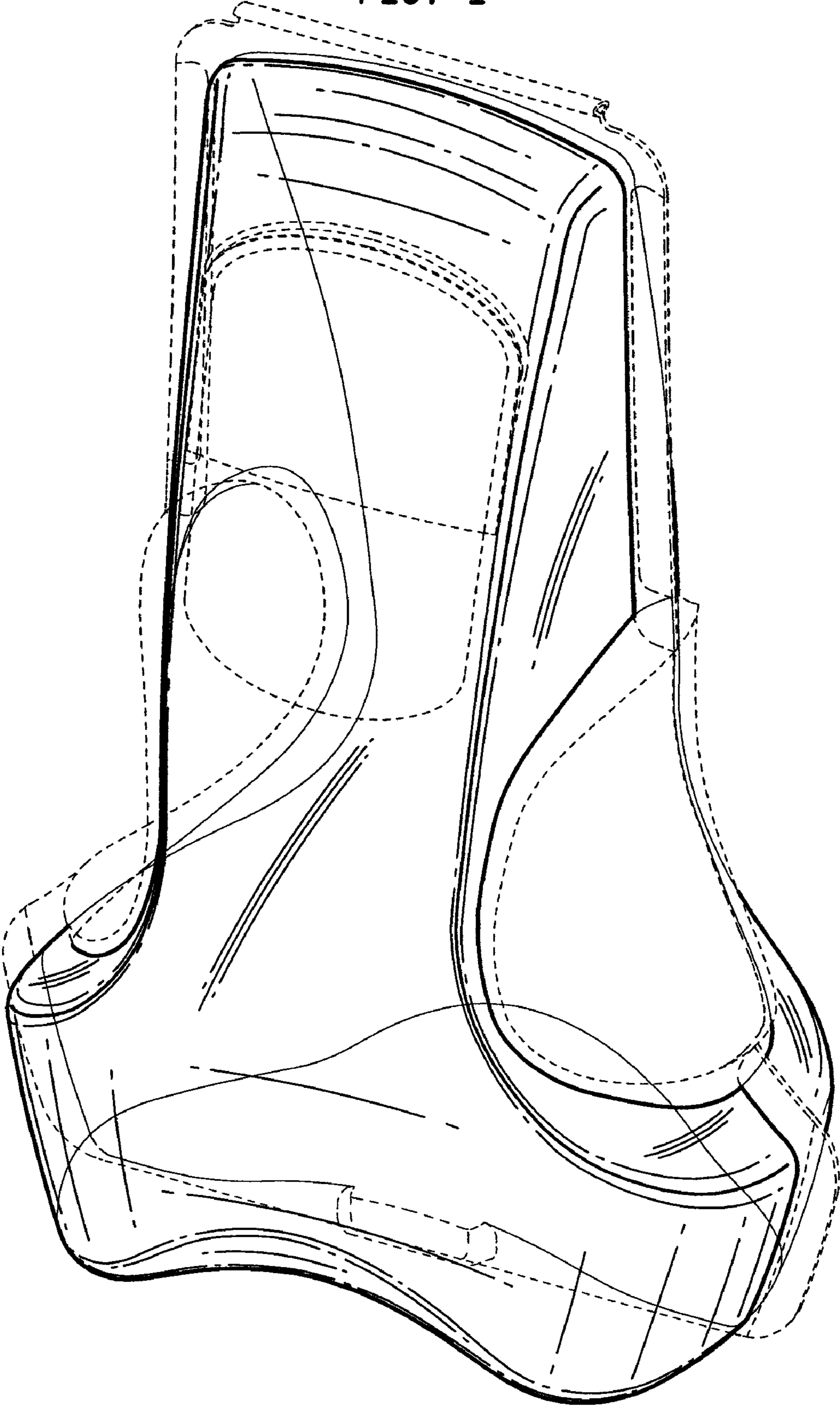


FIG. 2

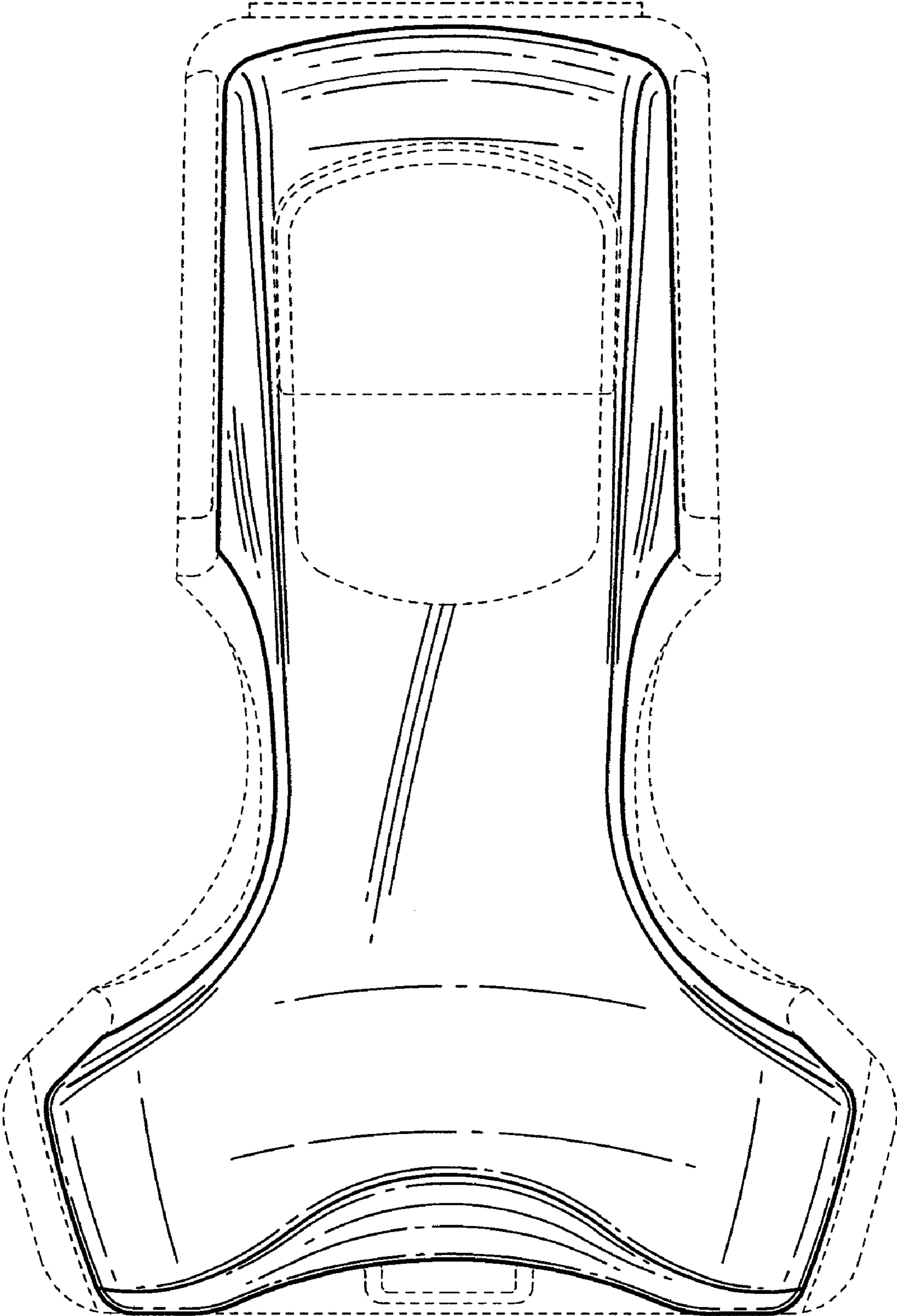


FIG. 3

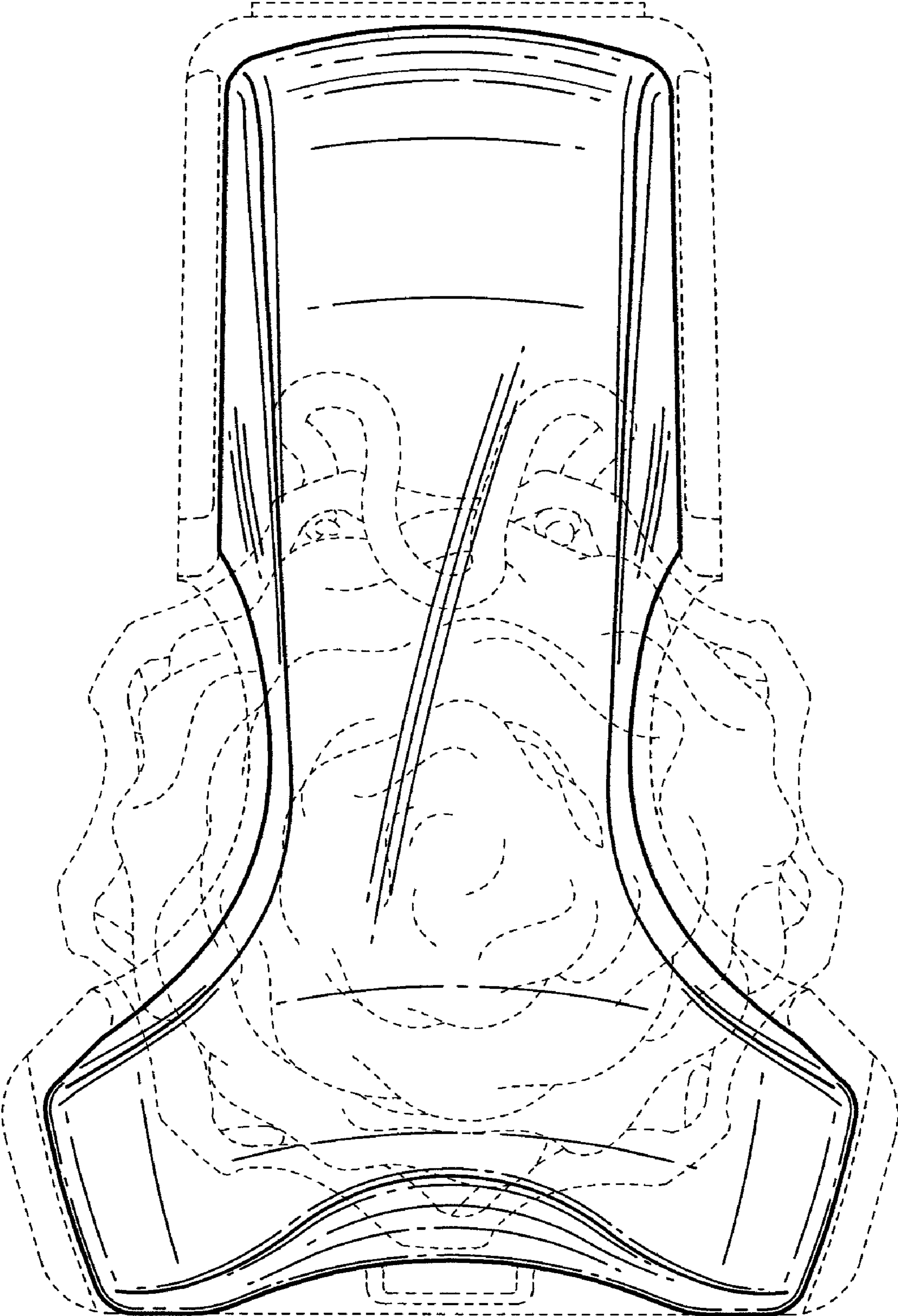


FIG. 4

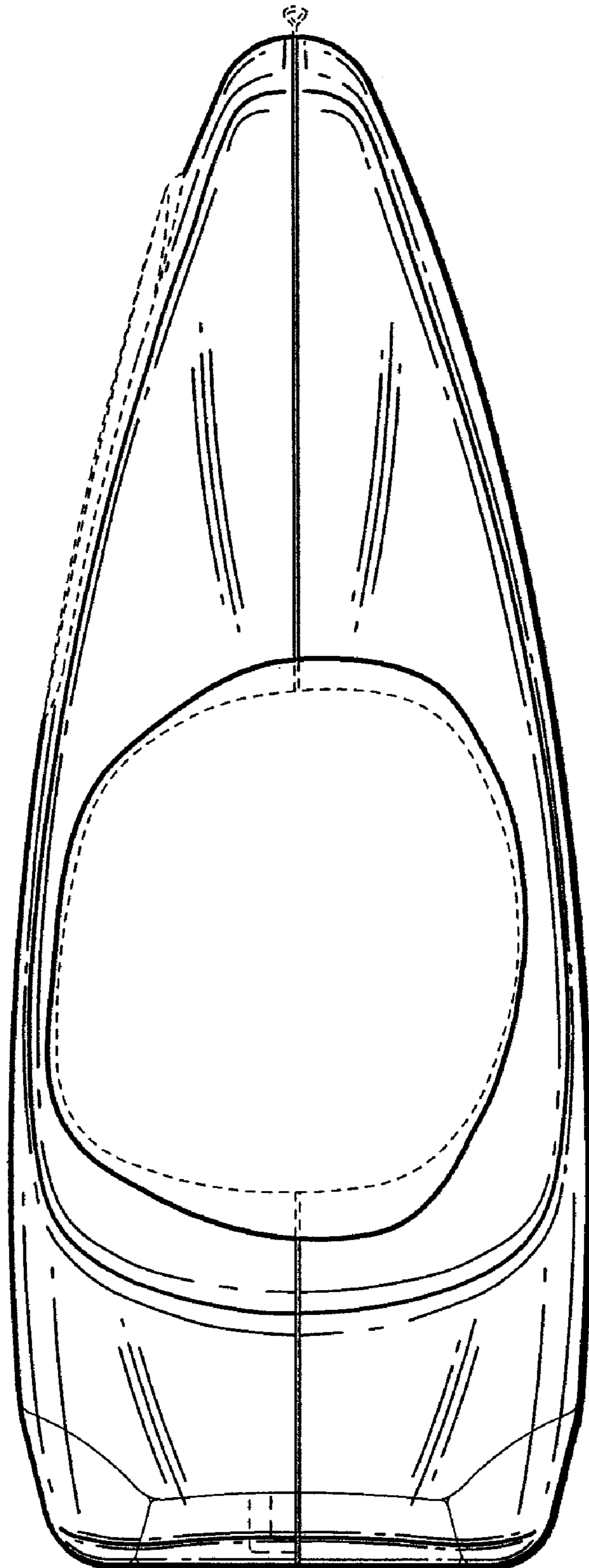


FIG. 5

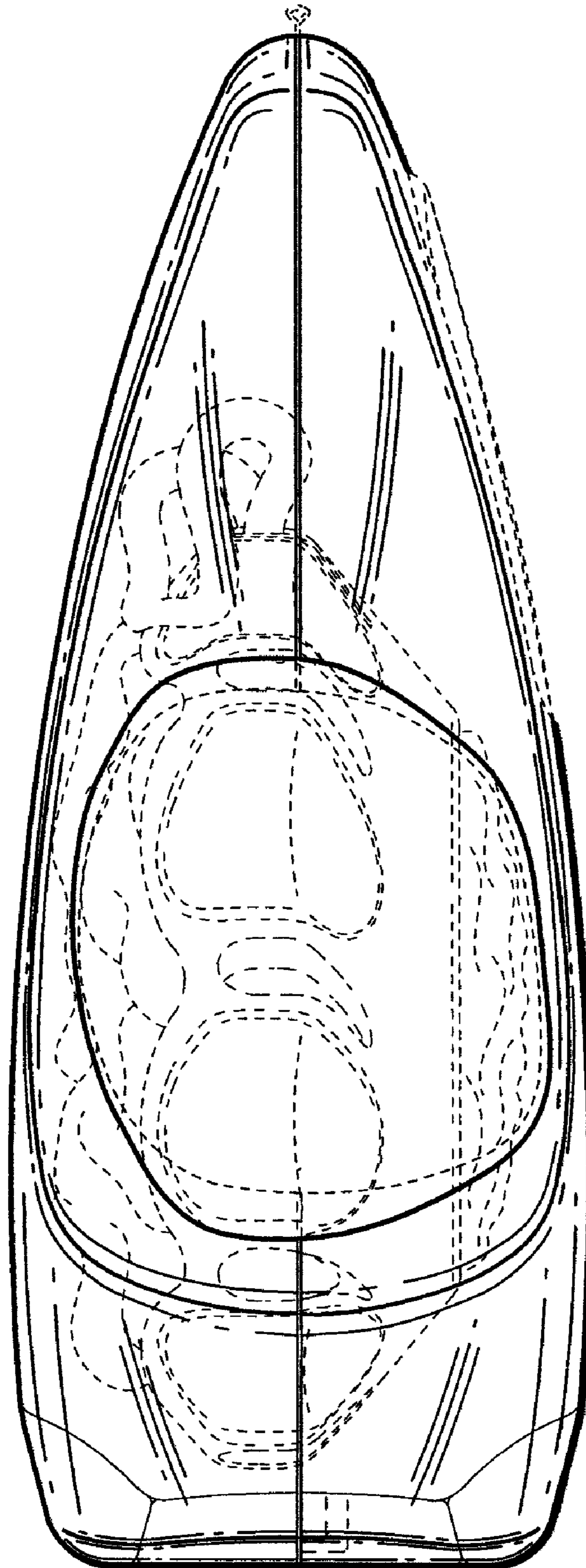


FIG. 6

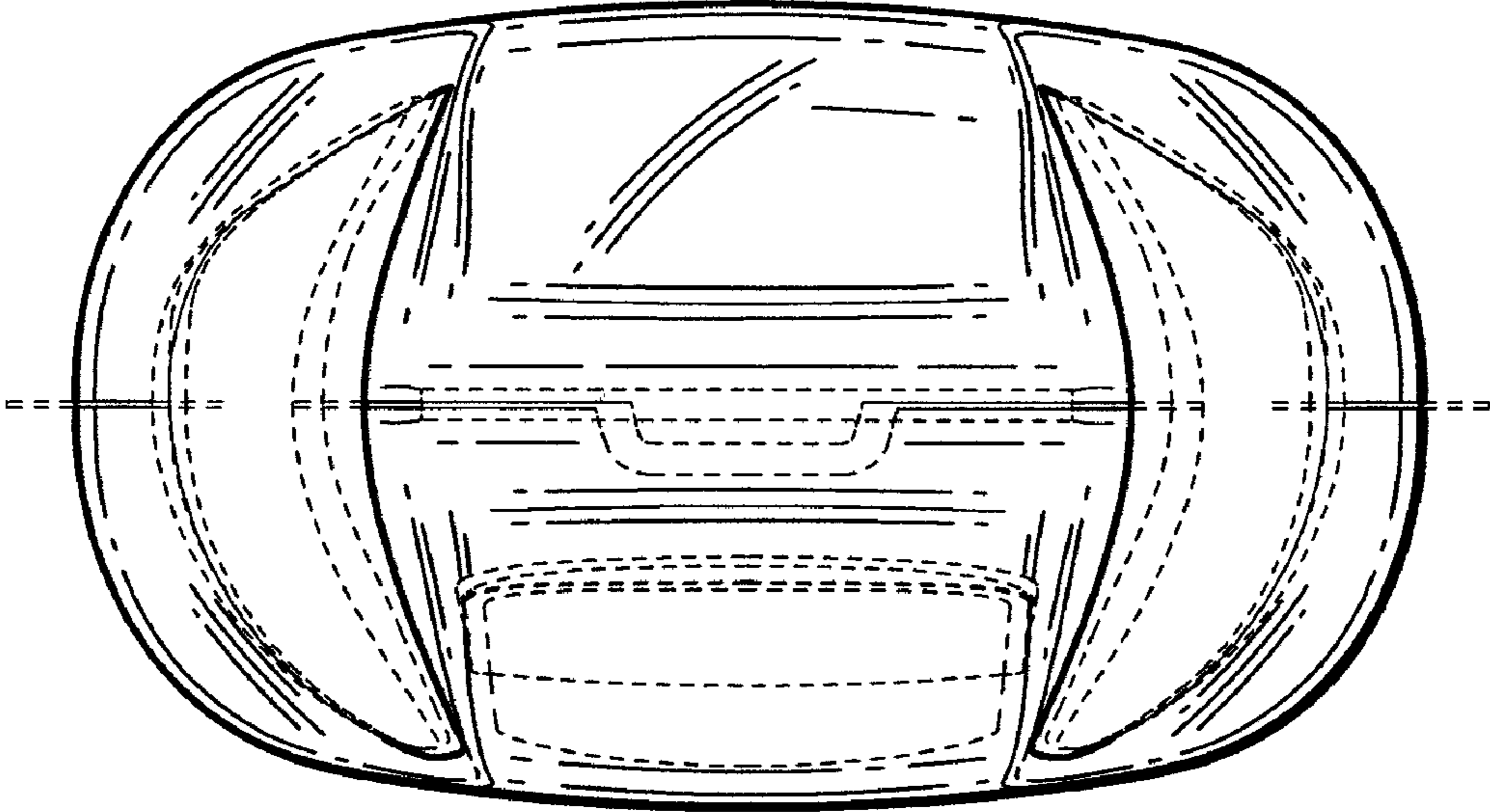


FIG. 7

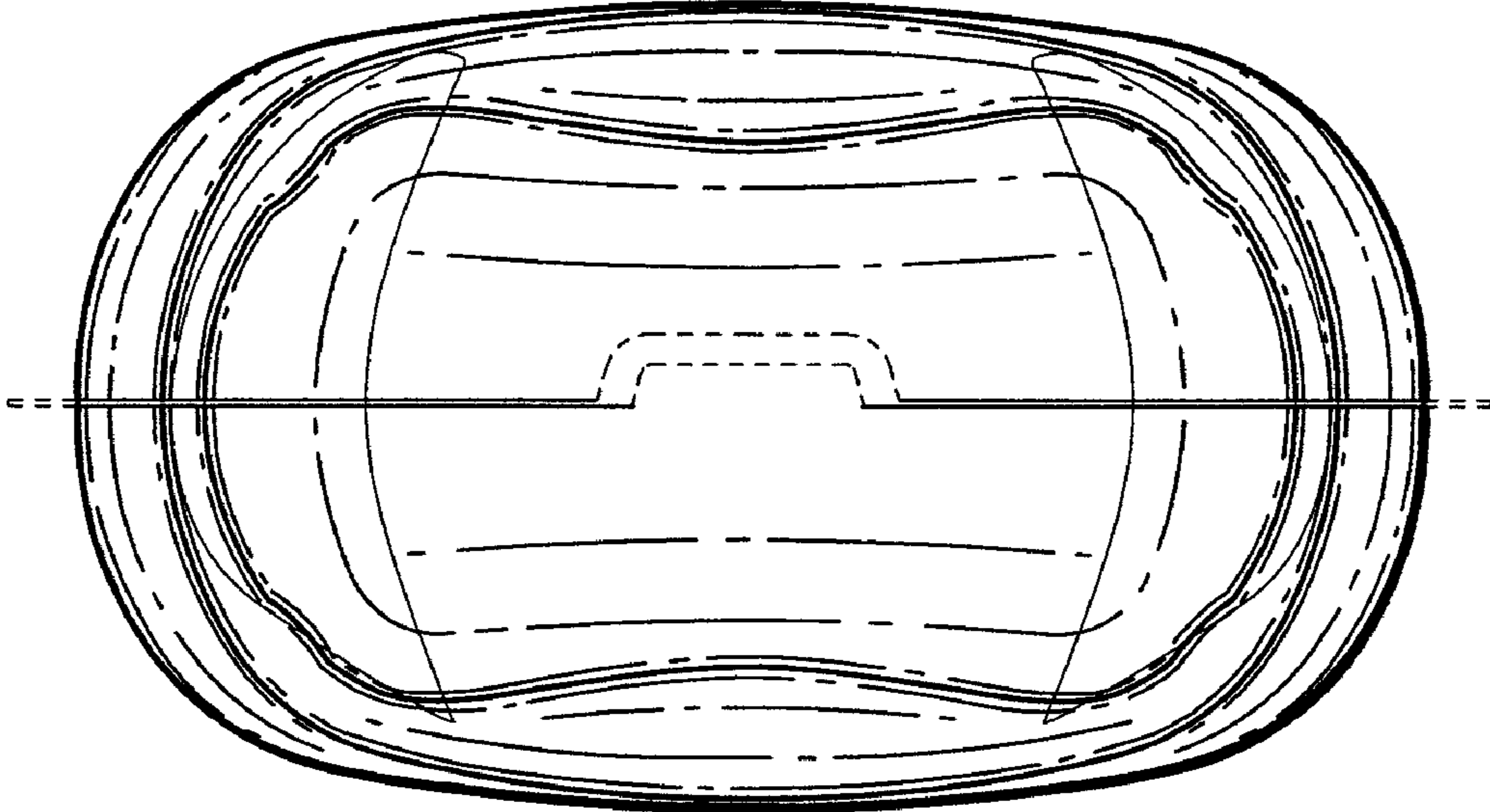


FIG. 8

