



US00D587992S

(12) **United States Design Patent**  
**Mackin**

(10) **Patent No.:** **US D587,992 S**

(45) **Date of Patent:** **\*\* Mar. 10, 2009**

(54) **DOOR GUARD**

D491,454 S \* 6/2004 Yamaguchi ..... D8/402  
D533,447 S \* 12/2006 Irie ..... D8/402

(76) Inventor: **Daniel E. Mackin**, 8395 SE. Palm St.,  
Hobe Sound, FL (US) 33455

\* cited by examiner

(\*\*) Term: **14 Years**

*Primary Examiner*—Cathron C Brooks

*Assistant Examiner*—Barbara Fox

(21) Appl. No.: **29/306,317**

(74) *Attorney, Agent, or Firm*—McHale & Slavin, P.A.

(22) Filed: **Apr. 7, 2008**

(57) **CLAIM**

(51) **LOC (9) Cl.** ..... **08-09**

The ornamental design for a door guard, as shown and described.

(52) **U.S. Cl.** ..... **D8/400**

(58) **Field of Classification Search** ..... D8/400,  
D8/402, 499; D25/48; 160/181, 182, 379,  
160/377, 110, 112, DIG. 8; 292/259 R  
See application file for complete search history.

**DESCRIPTION**

FIG. 1 is a front perspective view of the door guard of the instant invention;

FIG. 2 is a left side view thereof;

FIG. 3 is a right side view thereof;

FIG. 4 is a front view thereof;

FIG. 5 is a rear view thereof;

FIG. 6 is a front view thereof, illustrated with the rear leg in a horizontal position; and,

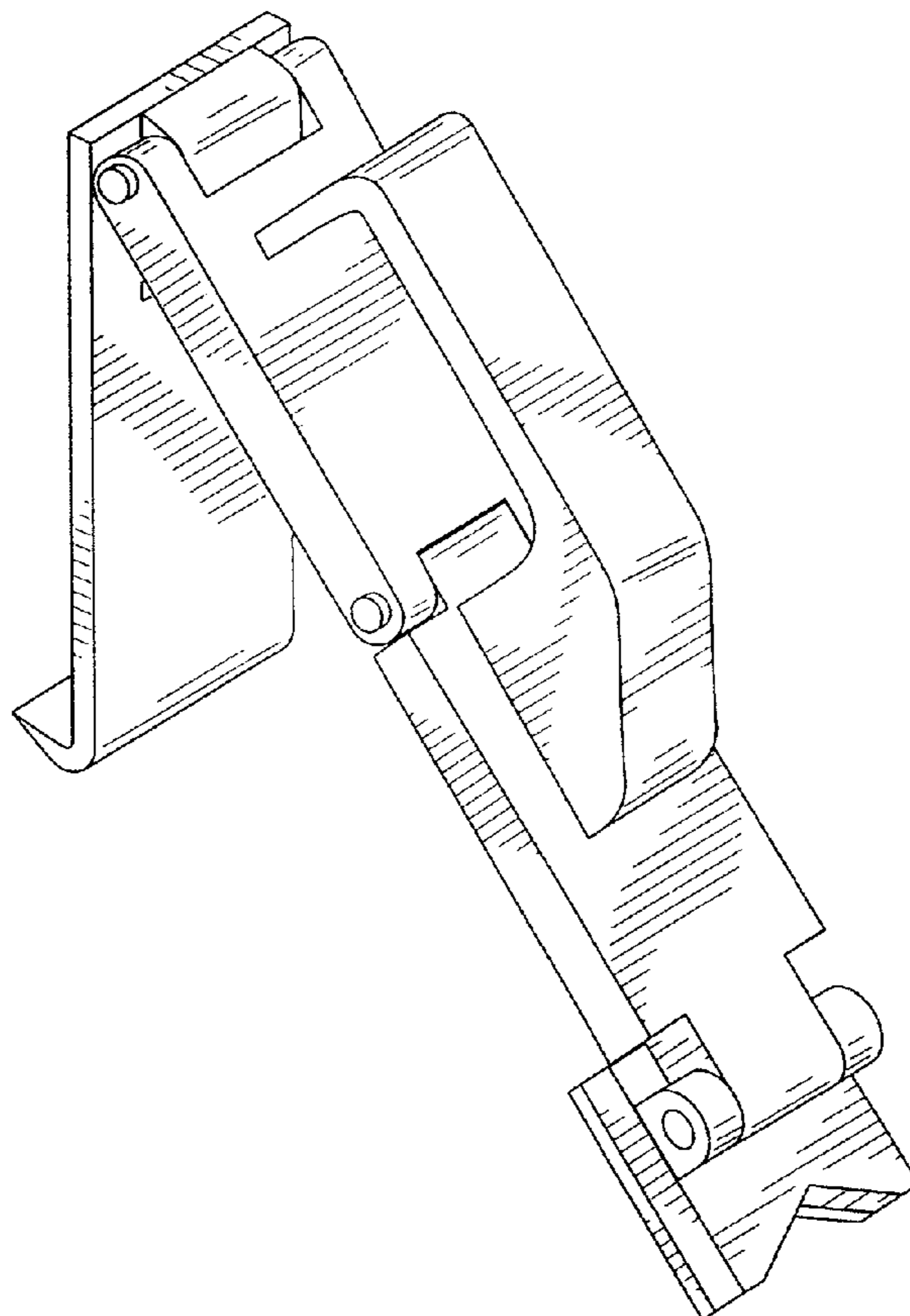
FIG. 7 is a rear view thereof, illustrated with the rear leg in a horizontal position.

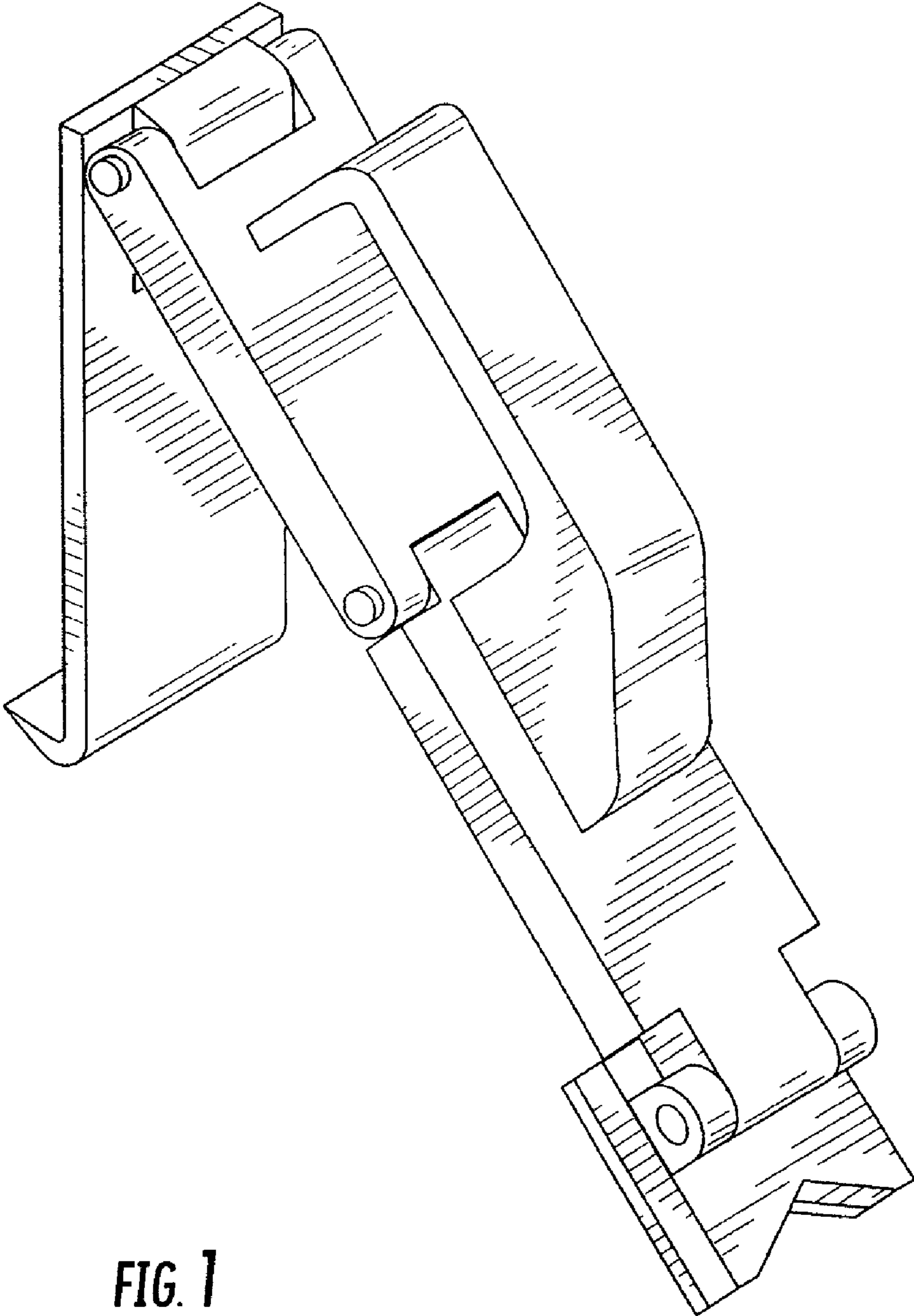
(56) **References Cited**

U.S. PATENT DOCUMENTS

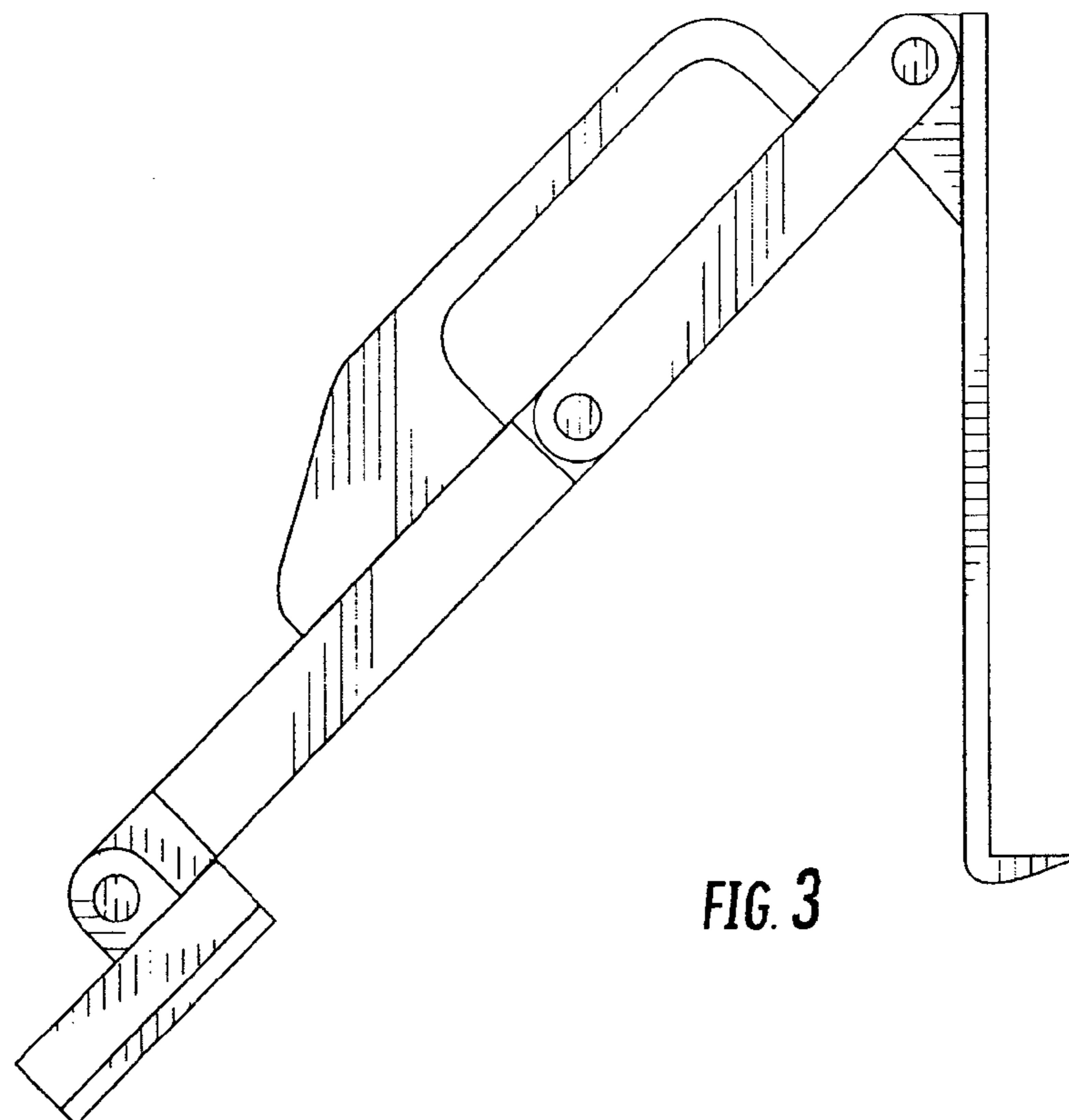
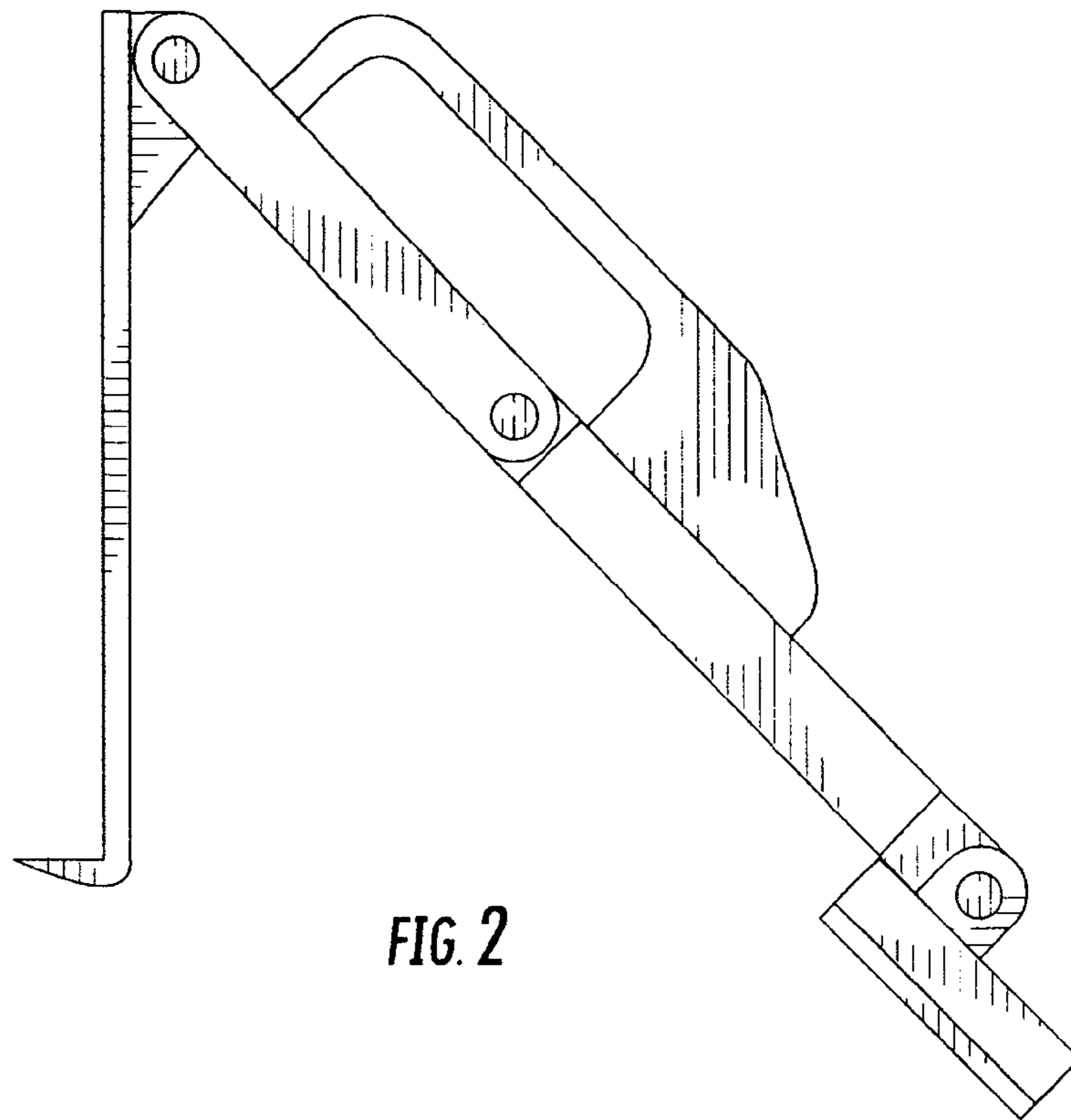
1,334,399	A *	3/1920	Porter	.....	292/339
1,656,394	A *	1/1928	Sasgen	.....	292/338
1,721,257	A *	7/1929	Myers	.....	292/338
3,737,186	A *	6/1973	Chezem	.....	292/338
4,421,348	A *	12/1983	Kahn	.....	292/339
5,056,836	A *	10/1991	Wells	.....	292/288
5,282,658	A *	2/1994	Reeves, Jr.	.....	292/338
5,503,443	A *	4/1996	Tautfest	.....	292/339
D459,983	S *	7/2002	Hayakawa	.....	D8/402

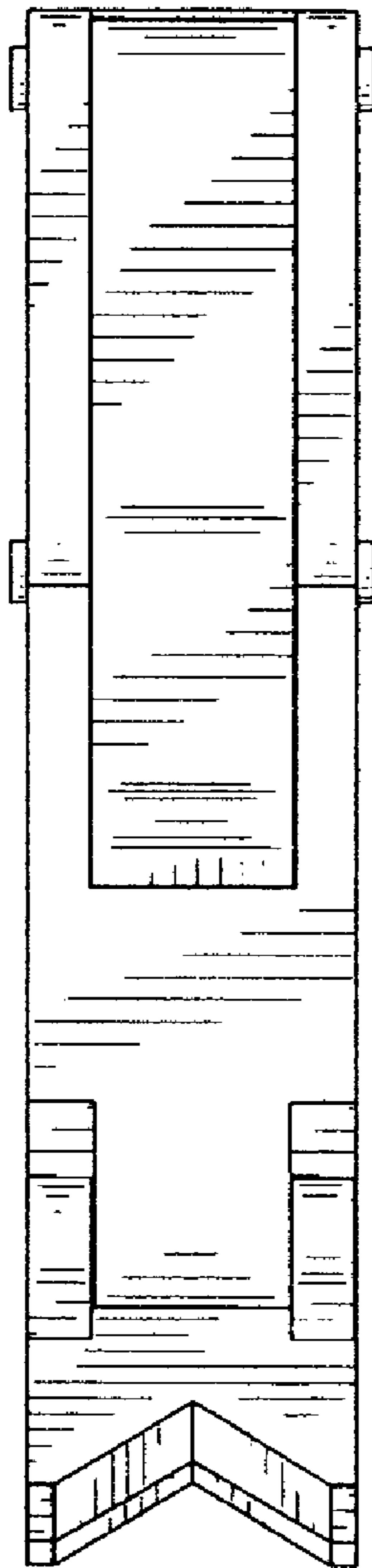
**1 Claim, 4 Drawing Sheets**



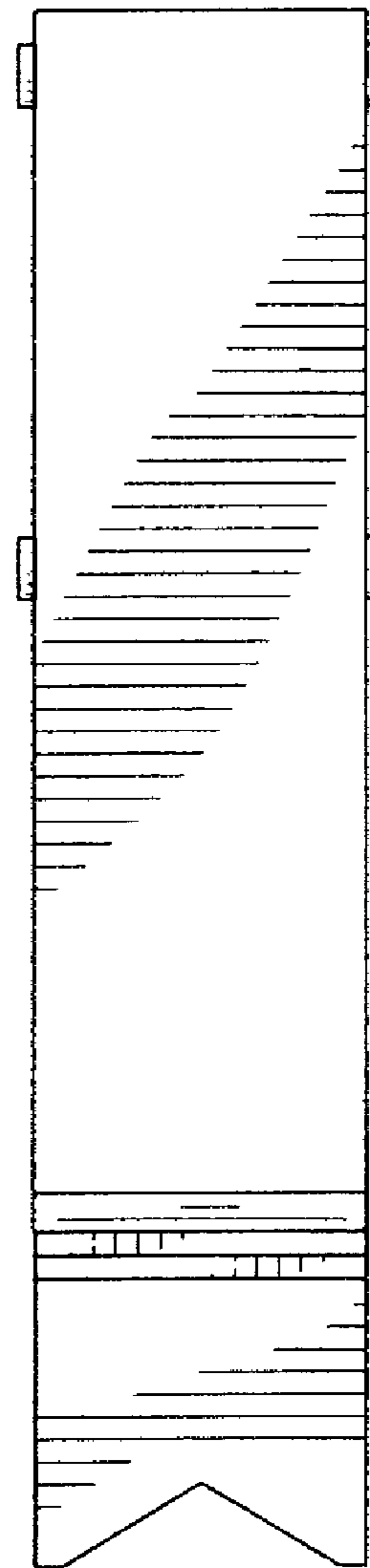


**FIG. 1**

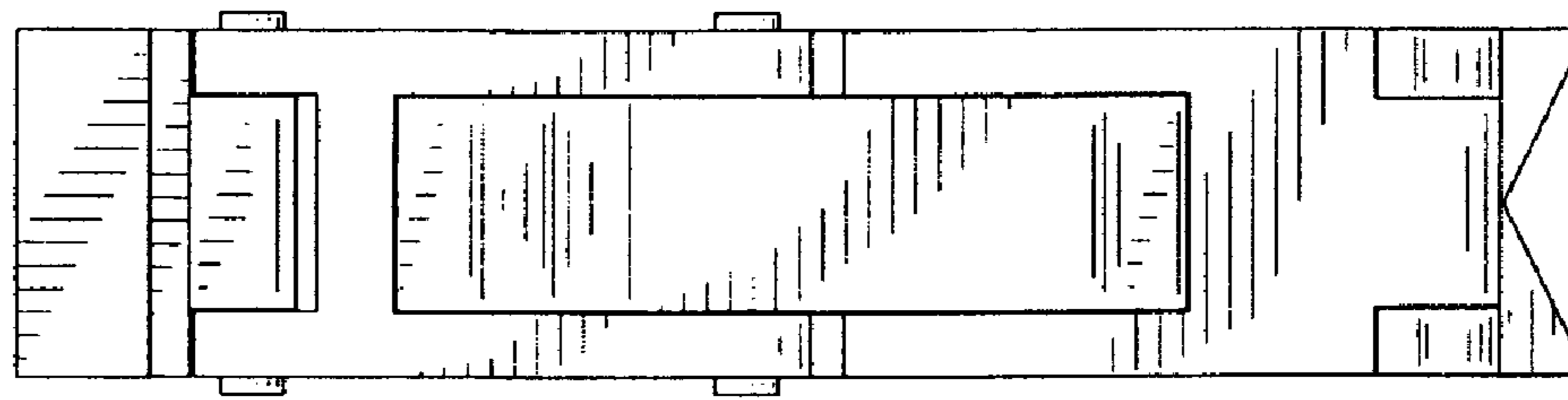




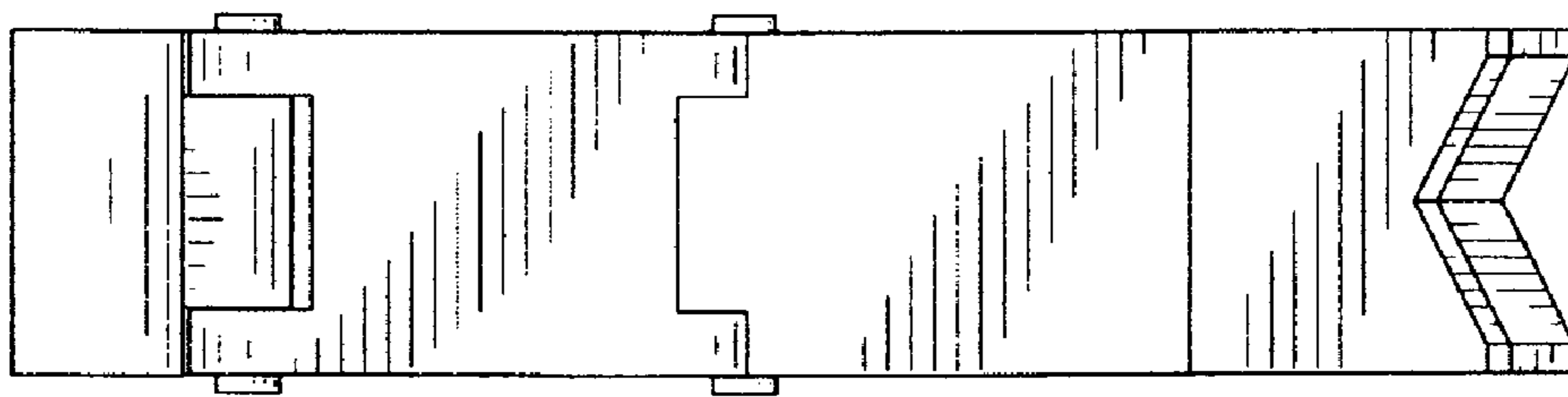
**FIG. 4**



**FIG. 5**



**FIG. 6**



**FIG. 7**