



US00D587991S

(12) **United States Design Patent**
Walker et al.

(10) **Patent No.:** **US D587,991 S**
(45) **Date of Patent:** **** Mar. 10, 2009**

(54) **GATE BRACKET**

(75) Inventors: **Simon Walker**, Surrey (CA); **Hou Jun (Frank) Fan**, Surrey (CA); **Jianzhong Zhu**, Suzhou (CN); **Wei Min (Karen) Zhu**, Surrey (CA)

(73) Assignee: **Peak Innovations Inc.**, Richmond (CA)

(**) Term: **14 Years**

(21) Appl. No.: **29/276,220**

(22) Filed: **Jan. 18, 2007**

(51) **LOC (9) Cl.** **08-05**

(52) **U.S. Cl.** **D8/381**

(58) **Field of Classification Search** D8/381;
256/73

See application file for complete search history.

(56) **References Cited**

U.S. PATENT DOCUMENTS

2,039,125 A	4/1936	Stuart	
D222,903 S	2/1972	Griffith	
D229,822 S	1/1974	Born	
D251,018 S	2/1979	Lockwood	
4,183,488 A	1/1980	Shepard	
D259,083 S	5/1981	Riegsecker	
4,411,547 A	10/1983	Johnson	
4,592,672 A	6/1986	Ruch, Jr.	
D290,223 S	6/1987	Westerheim	
D318,127 S	7/1991	Ebeler	
D324,784 S	3/1992	Rose	
D342,662 S	12/1993	Lavin, Sr.	
5,324,132 A	6/1994	Hunter et al.	
5,328,287 A	7/1994	Gilb	
D362,383 S *	9/1995	Boelling	D8/354
D364,331 S	11/1995	Leek	
5,690,305 A	11/1997	Perkins	

(Continued)

Primary Examiner—Holly H Baynham

(74) *Attorney, Agent, or Firm*—Mark Hopkinson

(57) **CLAIM**

The ornamental design for a gate bracket, as shown and described.

DESCRIPTION

FIG. 1 is an isometric perspective view of a first variant of the design;

FIG. 2 is a top plan view of the first variant of the design;

FIG. 3 is a front elevation view of the first variant of the design;

FIG. 4 is a bottom plan view of the first variant of the design;

FIG. 5 is a rear elevation view of the first variant of the design;

FIG. 6 is a left elevation view of the first variant of the design;

FIG. 7 is a right elevation view of the first variant of the design;

FIG. 8 is a front elevation view of a second variant of the design;

FIG. 9 is a rear elevation view of the second variant of the design;

FIG. 10 is a front elevation view of a third variant of the design;

FIG. 11 is a top plan view of the third variant of the design;

FIG. 12 is a bottom plan view of the third variant of the design;

FIG. 13 is a rear elevation view of the third variant of the design;

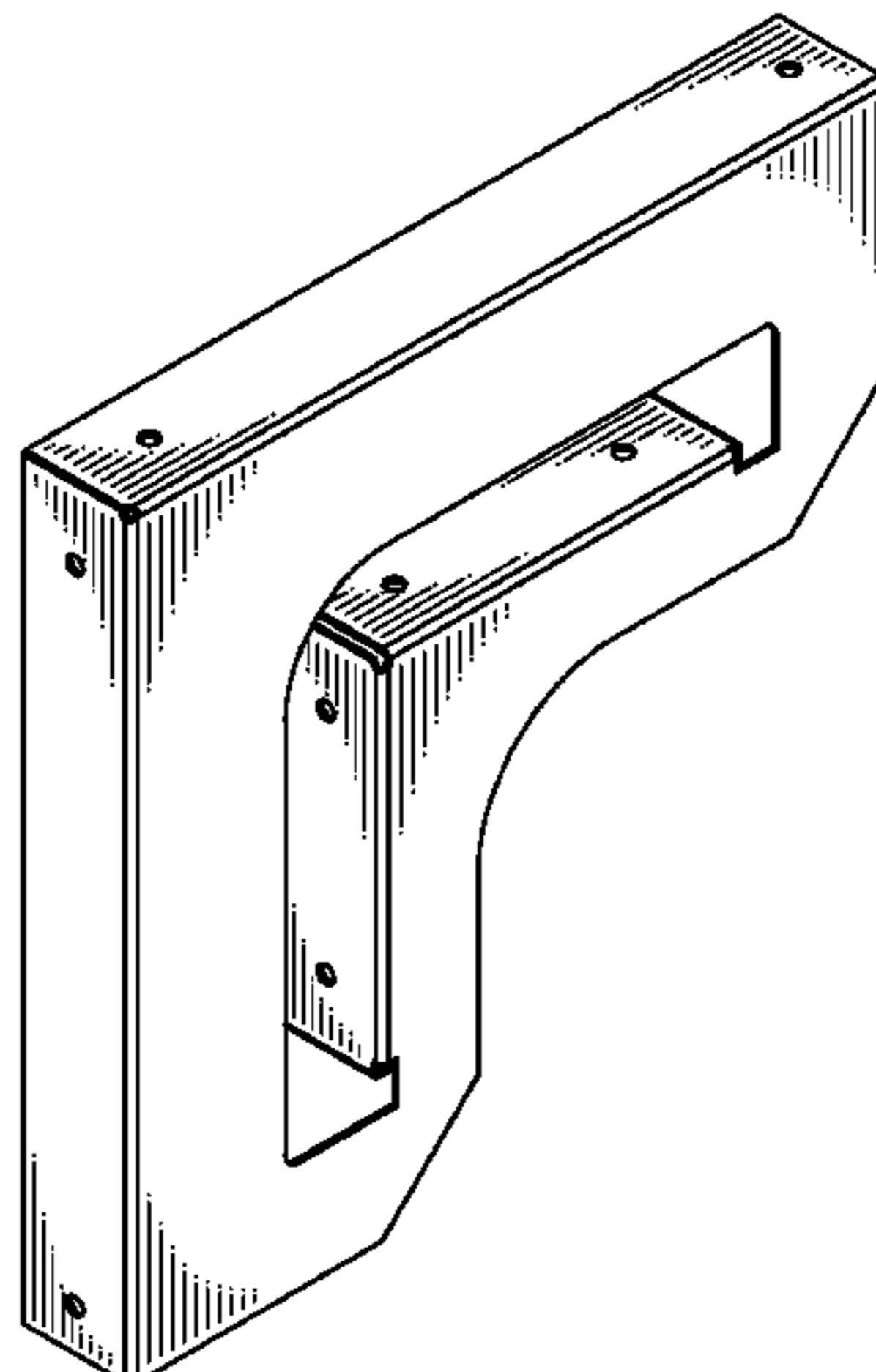
FIG. 14 is a left side elevation view of the third variant of the design;

FIG. 15 is a right side elevation view of the third variant of the design; and,

FIG. 16 is an isometric perspective view of the third variant of the design.

The top, bottom, left and right side views of the second variant of the design are the same as the corresponding views of the first variant of the design.

1 Claim, 10 Drawing Sheets



US D587,991 S

Page 2

U.S. PATENT DOCUMENTS

5,716,041 A	2/1998	Groves	6,896,244 B2	5/2005	Boroviak
D410,835 S	6/1999	Cosgrove	7,032,892 B2	4/2006	Boroviak
D425,467 S	5/2000	Runfola	D520,349 S	5/2006	Boroviak
6,230,466 B1	5/2001	Pryor	2004/0111974 A1	6/2004	Boroviak
D479,116 S	9/2003	Gross	2004/0129848 A1	7/2004	Boroviak
			2006/0219993 A1	10/2006	Boroviak

* cited by examiner

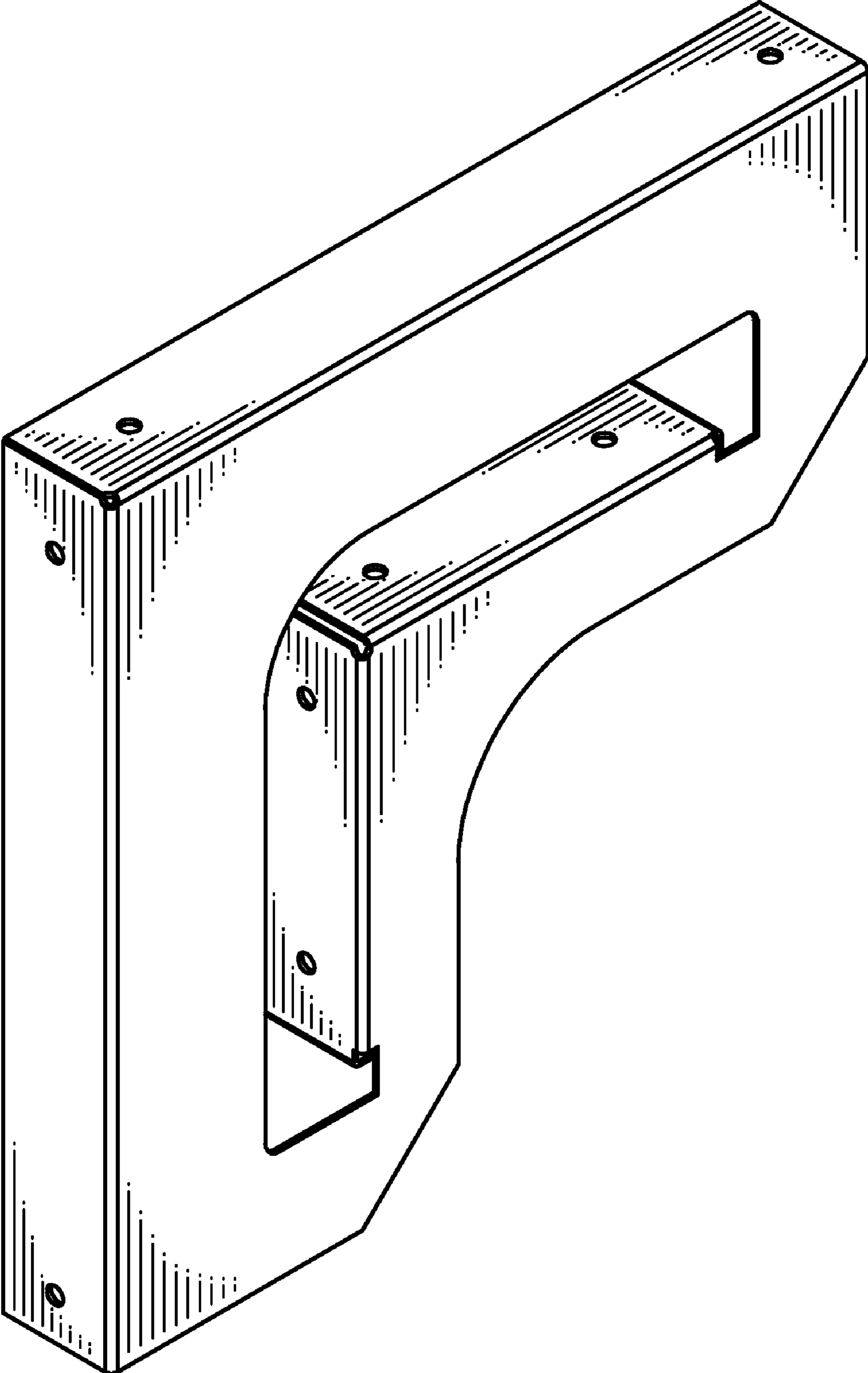


Figure 1

Figure 2

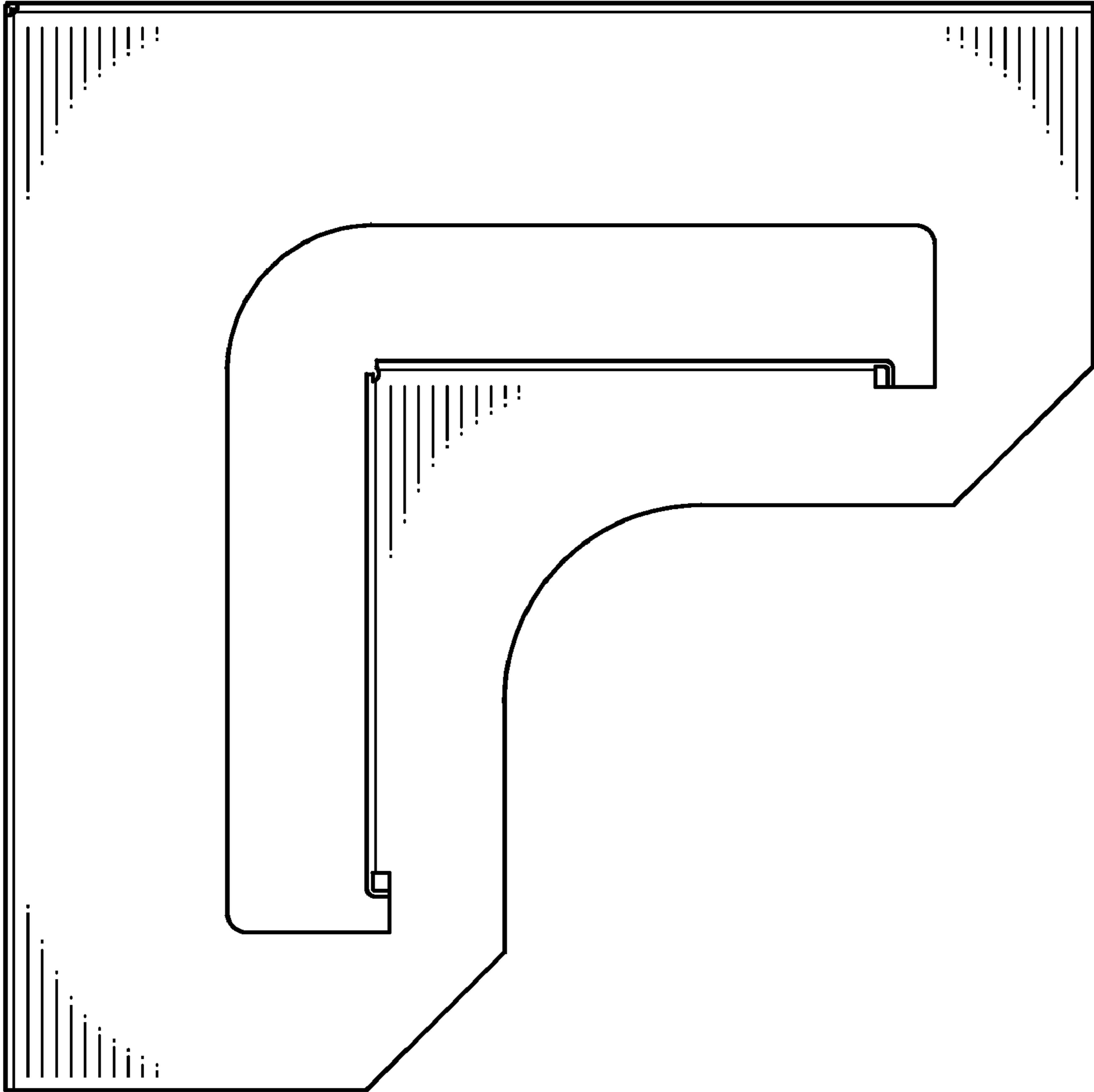


Figure 3

Figure 4

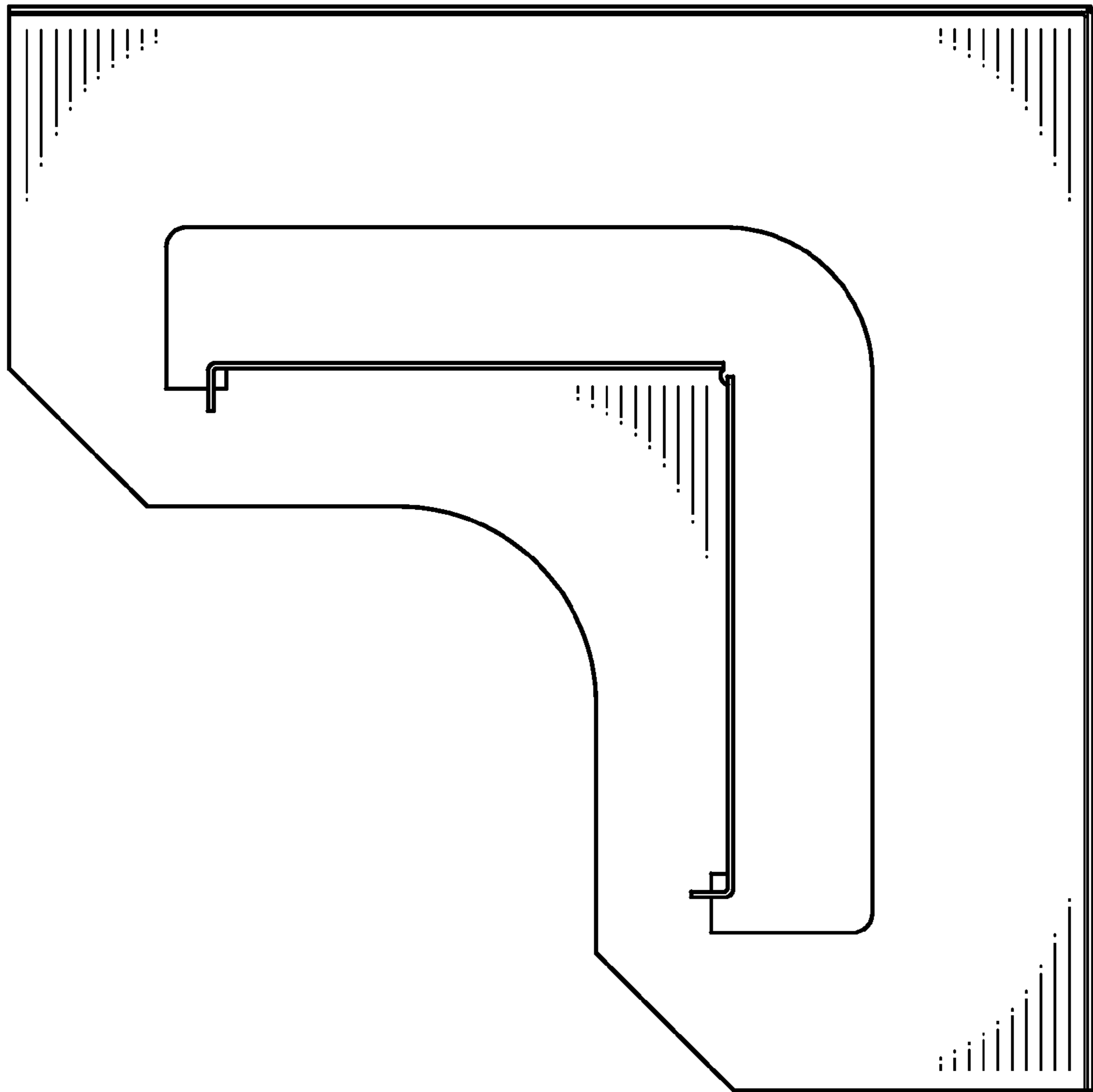
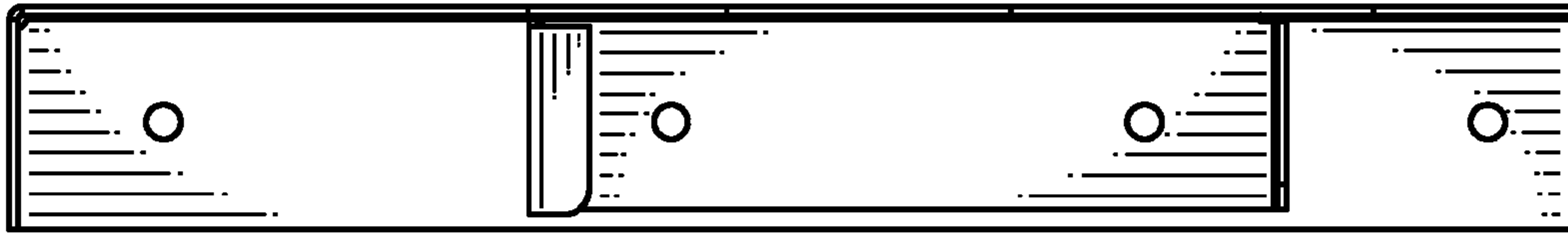


Figure 5

Figure 6

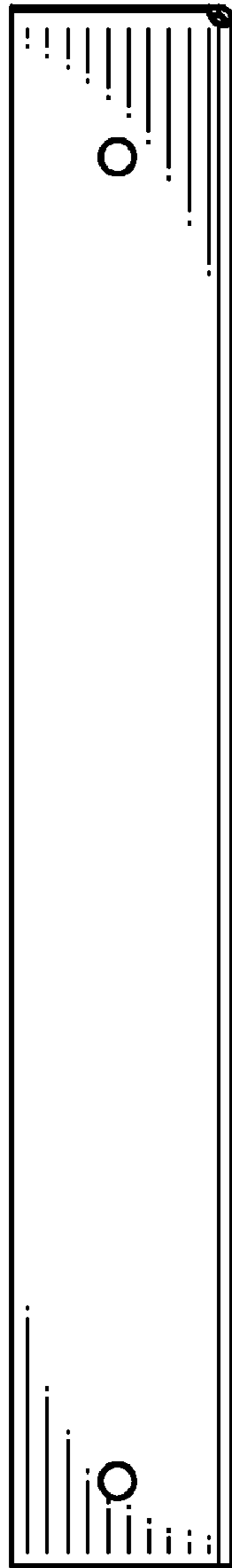
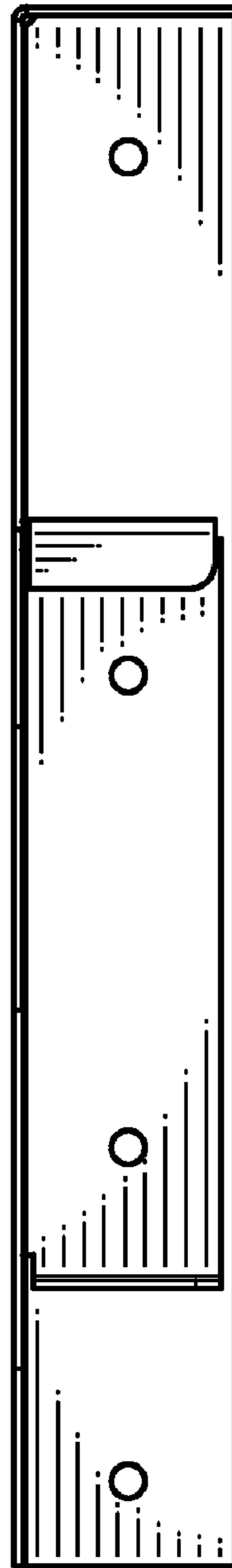


Figure 7



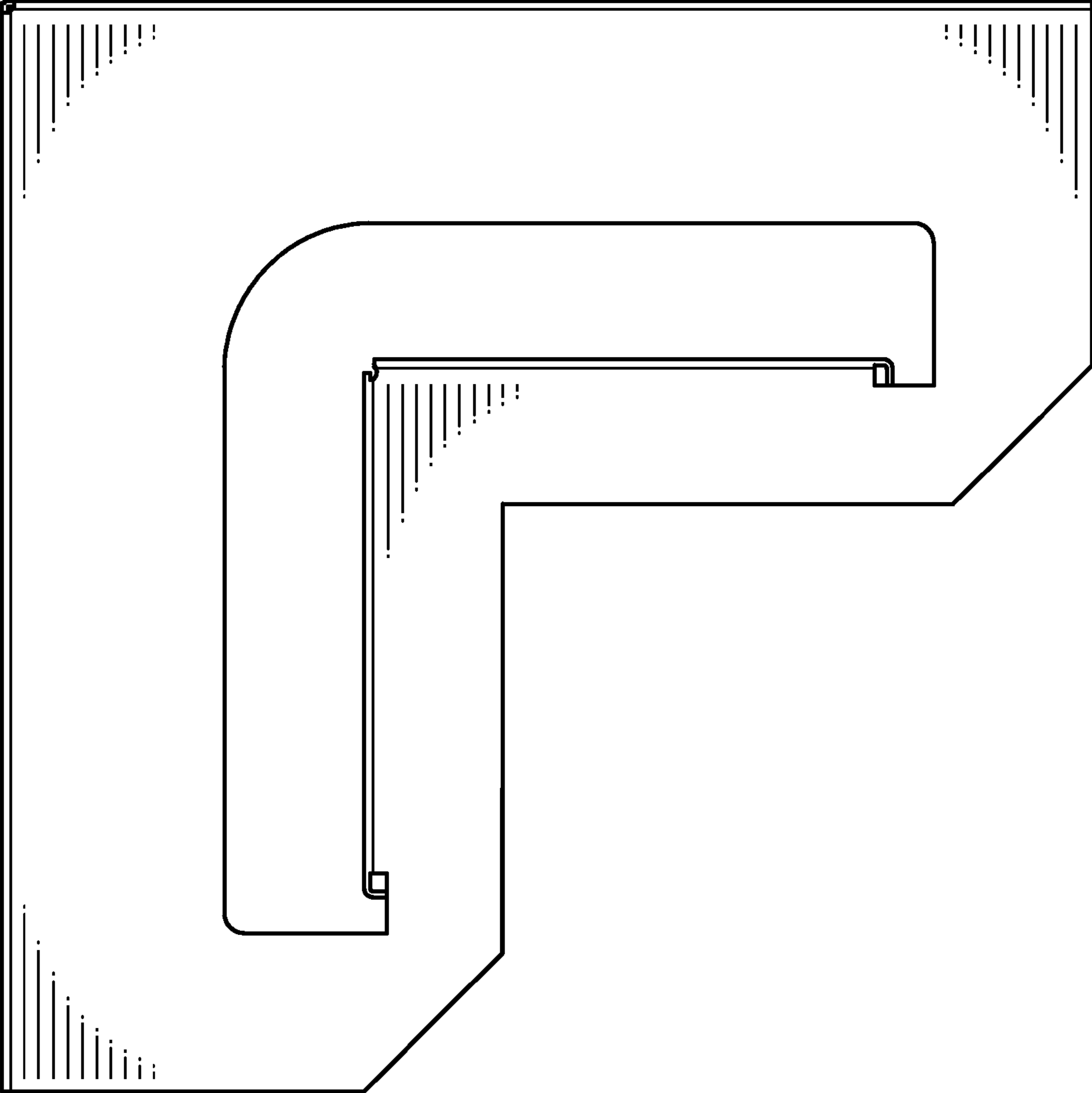


Figure 8

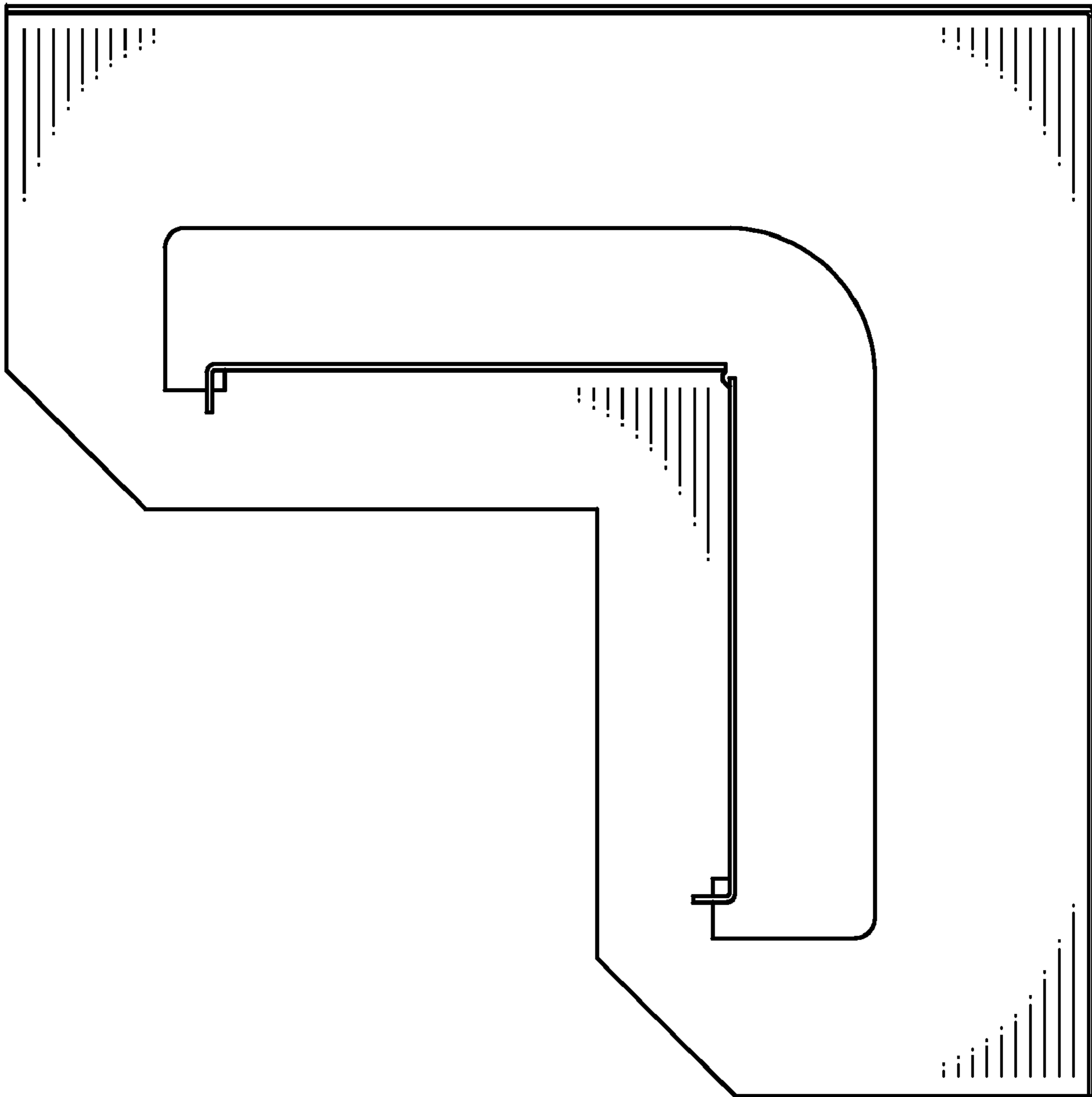


Figure 9

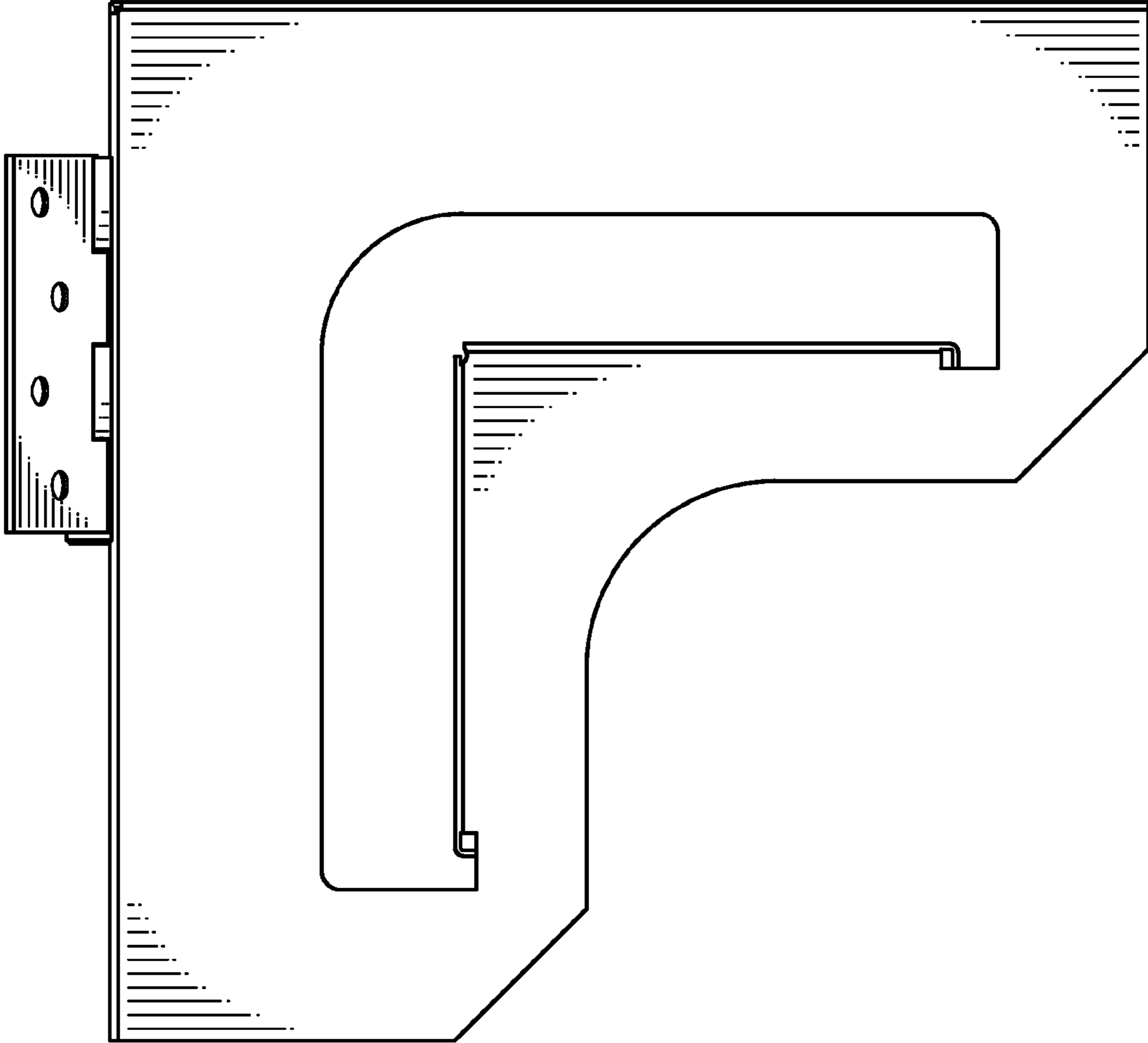


Figure 10

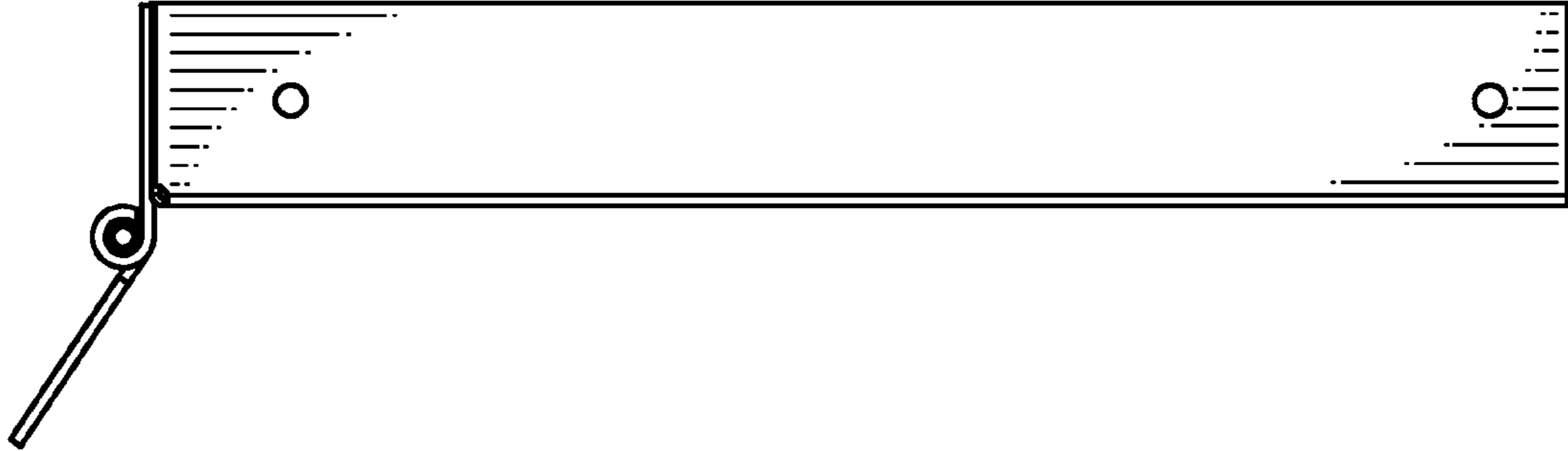


Figure 11

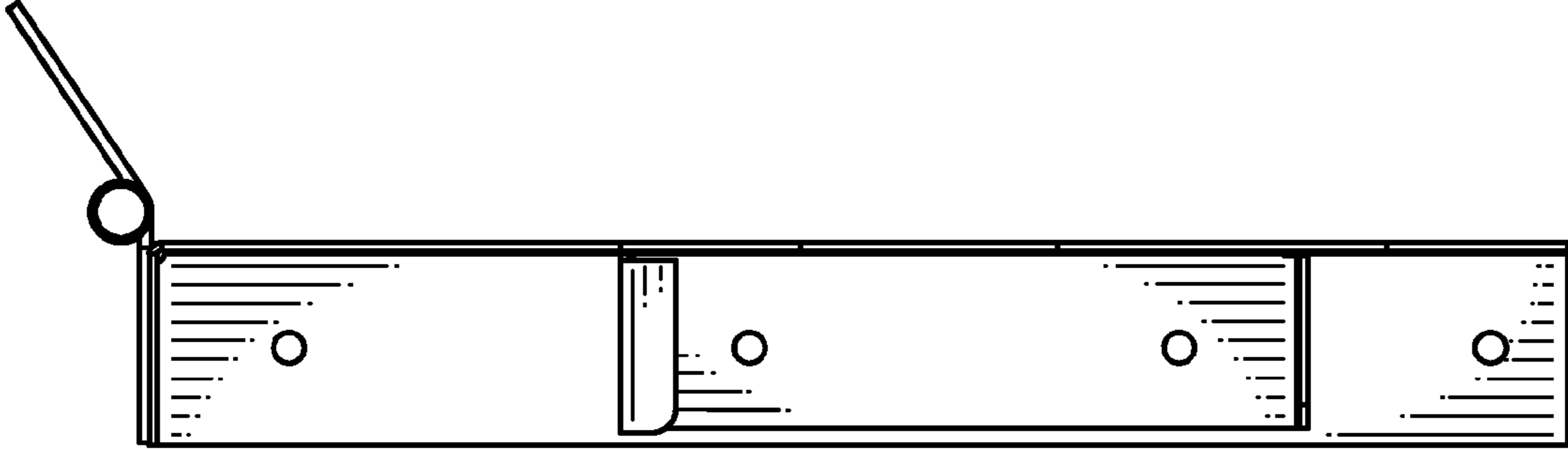


Figure 12

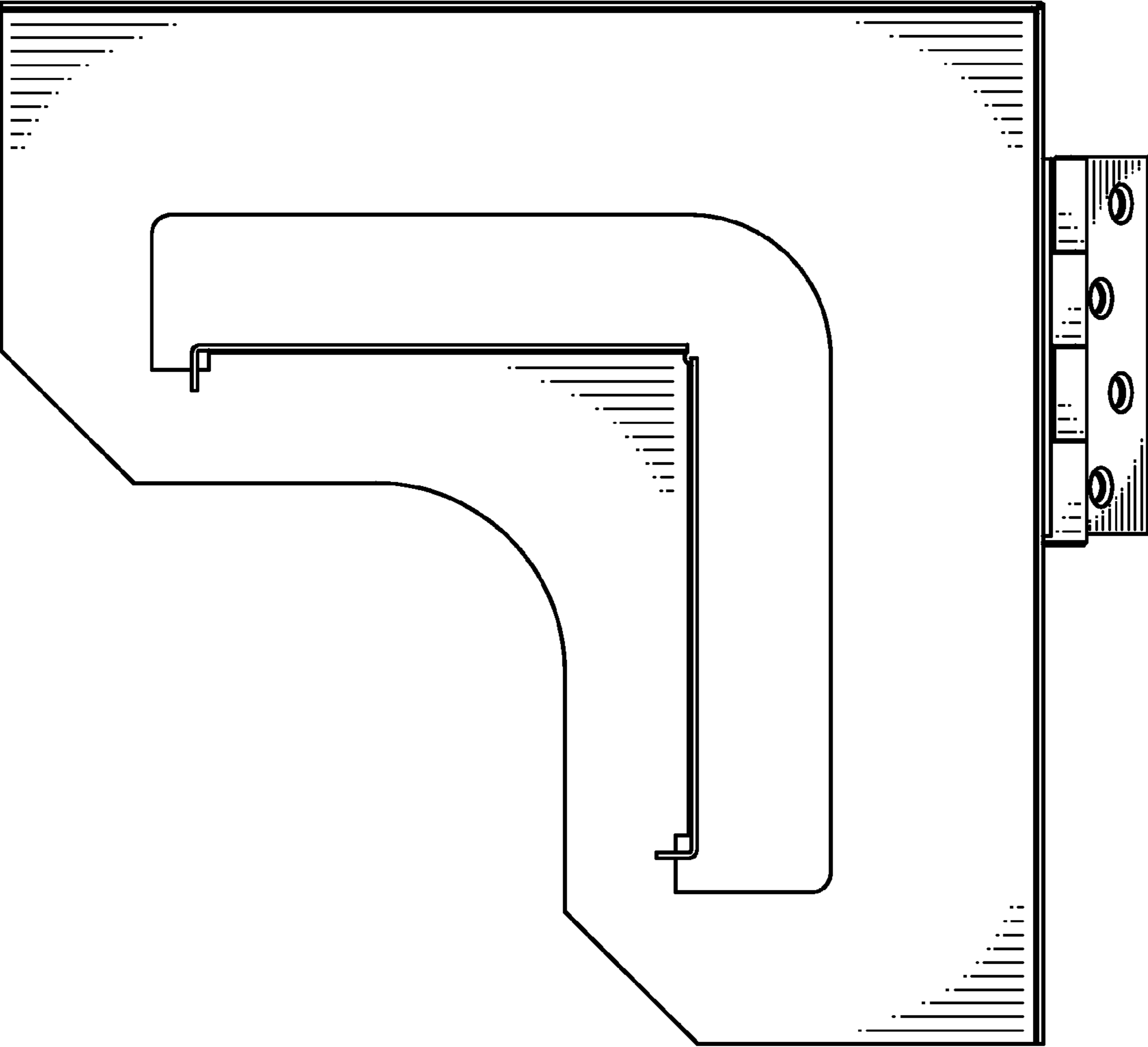


Figure 13

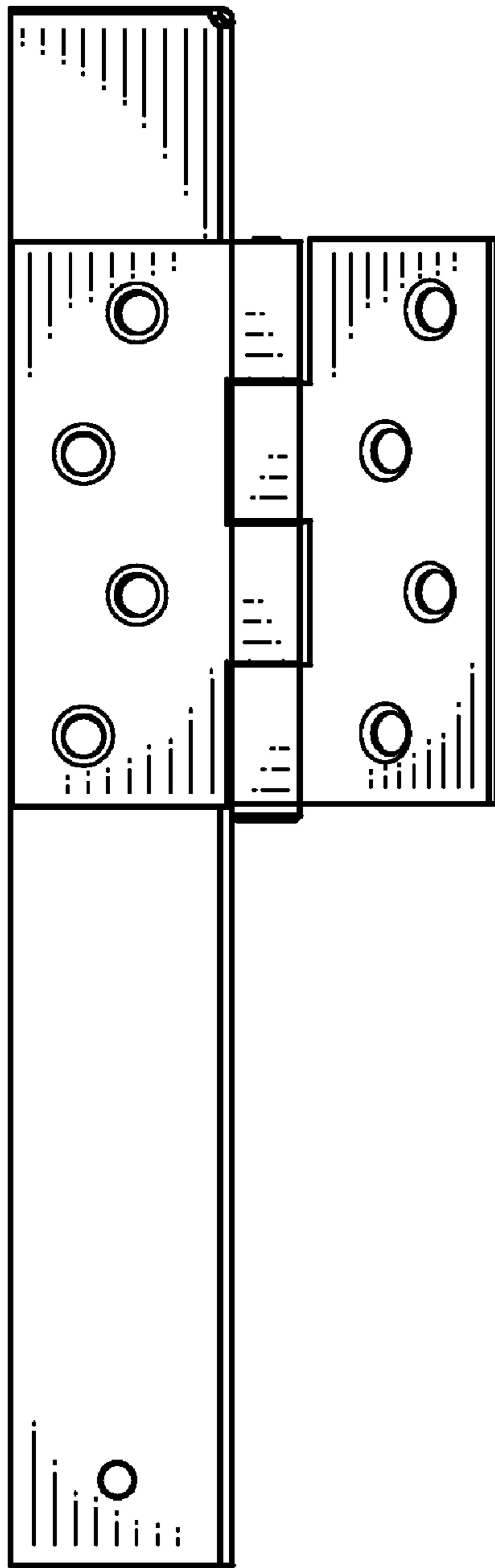


Figure 14

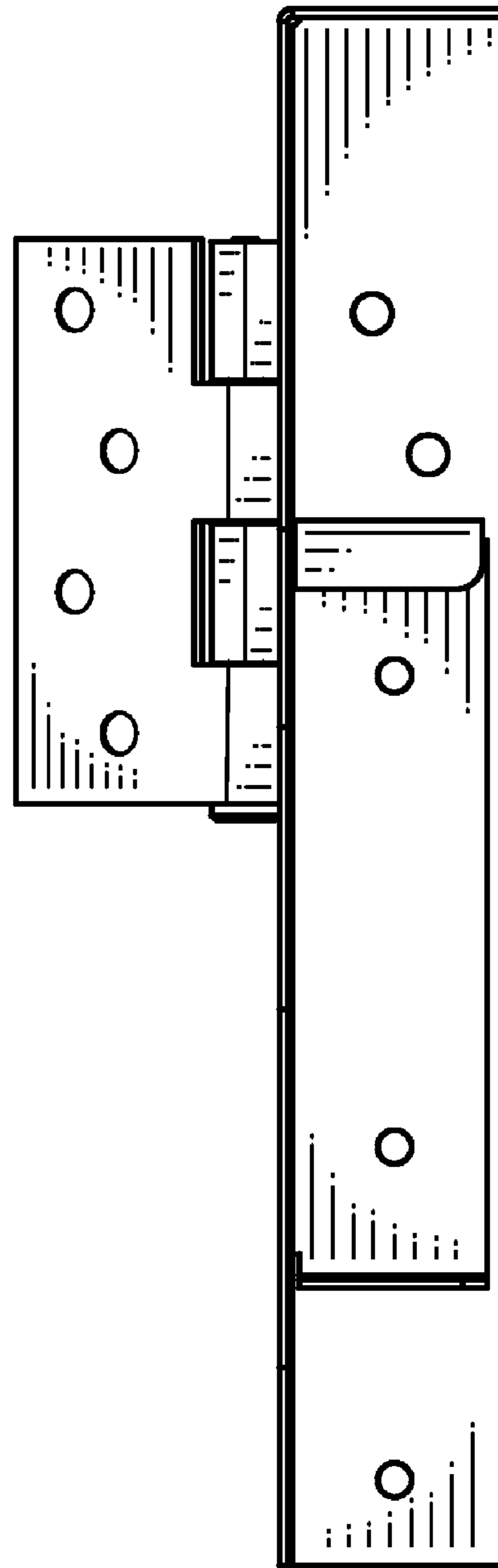


Figure 15

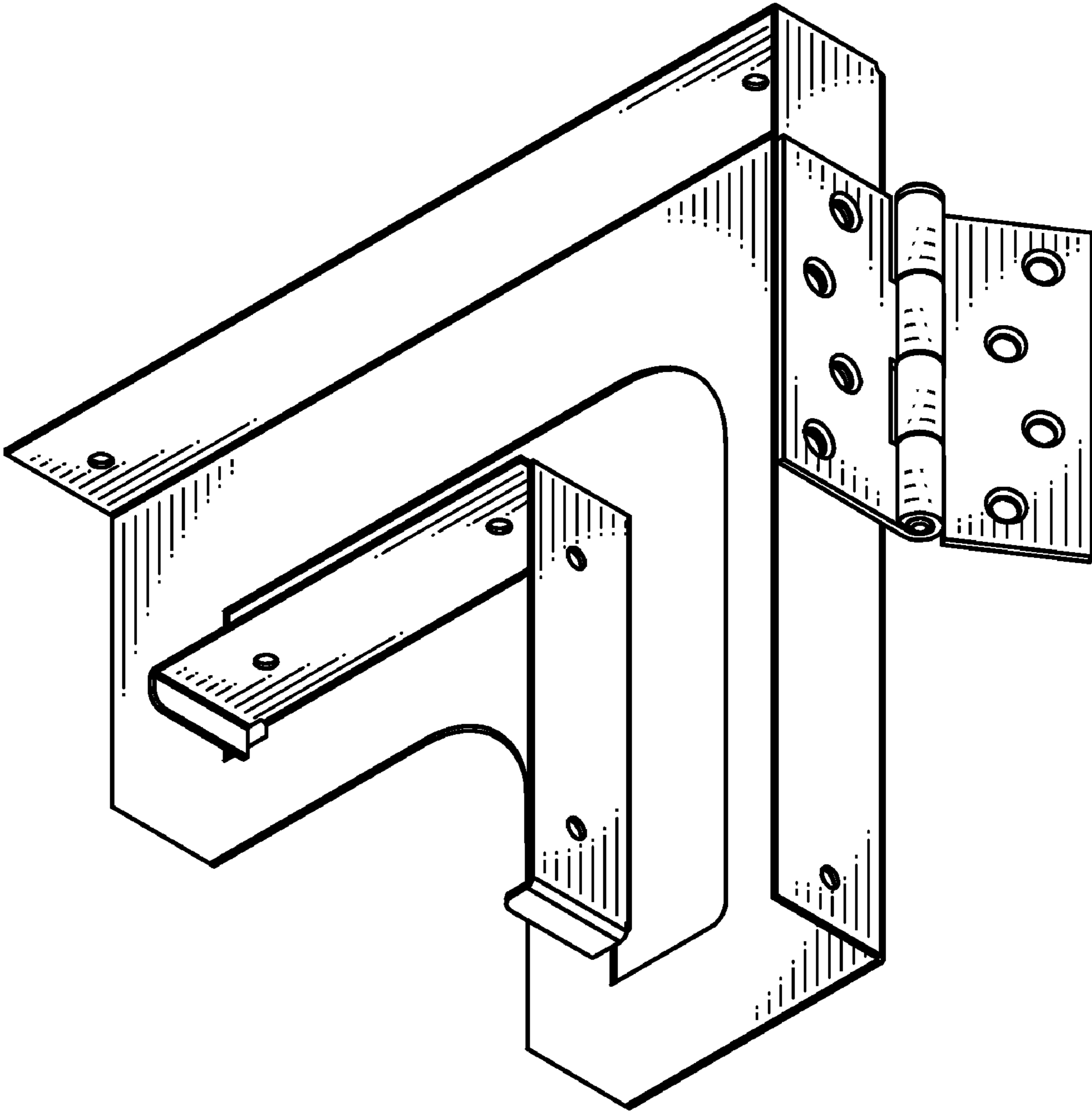


Figure 16