



US00D587989S

(12) **United States Design Patent**
Johansson

(10) **Patent No.:** **US D587,989 S**
(45) **Date of Patent:** **** Mar. 10, 2009**

(54) **CORD LOCK**

(76) Inventor: **Benny Johansson**, Götagatan 3 B,
Hässleholm (SE) 28150

(**) Term: **14 Years**

(21) Appl. No.: **29/308,675**

(22) Filed: **Jul. 1, 2008**

Related U.S. Application Data

(62) Division of application No. 29/286,163, filed on Apr. 26, 2007.

(51) **LOC (9) Cl.** **08-05**

(52) **U.S. Cl.** **D8/356**

(58) **Field of Classification Search** D8/105,
D8/107, 333, 349, 354, 356, 358, 360, 360.1,
D8/367, 373, 382, 383, 394-396, 400; D23/261;
D26/38; 24/18, 197, 561; 174/153 G, 650,
174/656, 135; 242/400.1, 405.1, 405.2, 600,
242/603, 604, 604.1, 607, 608, 608.6, 608.7,
242/609, 916; 248/65, 74.1-74.4, 201, 214,
248/215, 229.26, 302, 304, 316.7, 316.8;
439/367, 369, 371, 472; 211/119; D13/153;
224/268, 269, 666

See application file for complete search history.

(56) **References Cited**

U.S. PATENT DOCUMENTS

479,509 A * 7/1892 Heaphy, Jr. 24/130
D23,423 S * 7/1894 Harry D8/382
656,431 A * 8/1900 Stewart 24/130
1,383,665 A * 7/1921 Rohan 24/129 B
1,485,266 A * 2/1924 Hennah 24/570
1,485,996 A * 3/1924 Stout 24/18
1,806,162 A * 5/1931 Hahn 24/712.6
2,204,117 A * 6/1940 Brammer 474/241
2,229,935 A * 1/1941 Powers 24/131 R
D153,644 S * 5/1949 Stanley, Sr. et al. D32/61
2,533,341 A * 12/1950 Alfano 242/388

2,825,952 A * 3/1958 Van Driel 24/570
D259,244 S * 5/1981 Grecol, Jr. D8/380
D275,262 S * 8/1984 Kimball D8/356
4,779,816 A * 10/1988 Varlet 242/405.1
5,179,044 A * 1/1993 Muromachi et al. 439/369
5,336,106 A * 8/1994 Osten 439/369
D359,229 S * 6/1995 Jules D8/395
5,423,693 A * 6/1995 Light 439/369
D372,188 S * 7/1996 Van Dyke D8/358
D372,420 S * 8/1996 Mendez D8/383
5,547,390 A * 8/1996 Laherty 439/373
5,625,925 A * 5/1997 Richards 24/129 B
D389,050 S * 1/1998 Li D8/395
D412,100 S * 7/1999 Kruse et al. D8/367
6,012,940 A * 1/2000 Wheeler 439/369
D461,115 S * 8/2002 Vassioukevitch D8/360.1
6,450,436 B1 * 9/2002 Tsuji et al. 242/400.1

(Continued)

Primary Examiner—T. Chase Nelson
Assistant Examiner—Karen Acker

(57) **CLAIM**

The ornamental design for a cord lock, as shown and described.

DESCRIPTION

FIG. 1 is a perspective view of a cord lock showing my new design;

FIG. 2 is a left side elevational view thereof;

FIG. 3 is a front elevational view, the opposite side being a mirror image thereof;

FIG. 4 is a right side elevational view thereof;

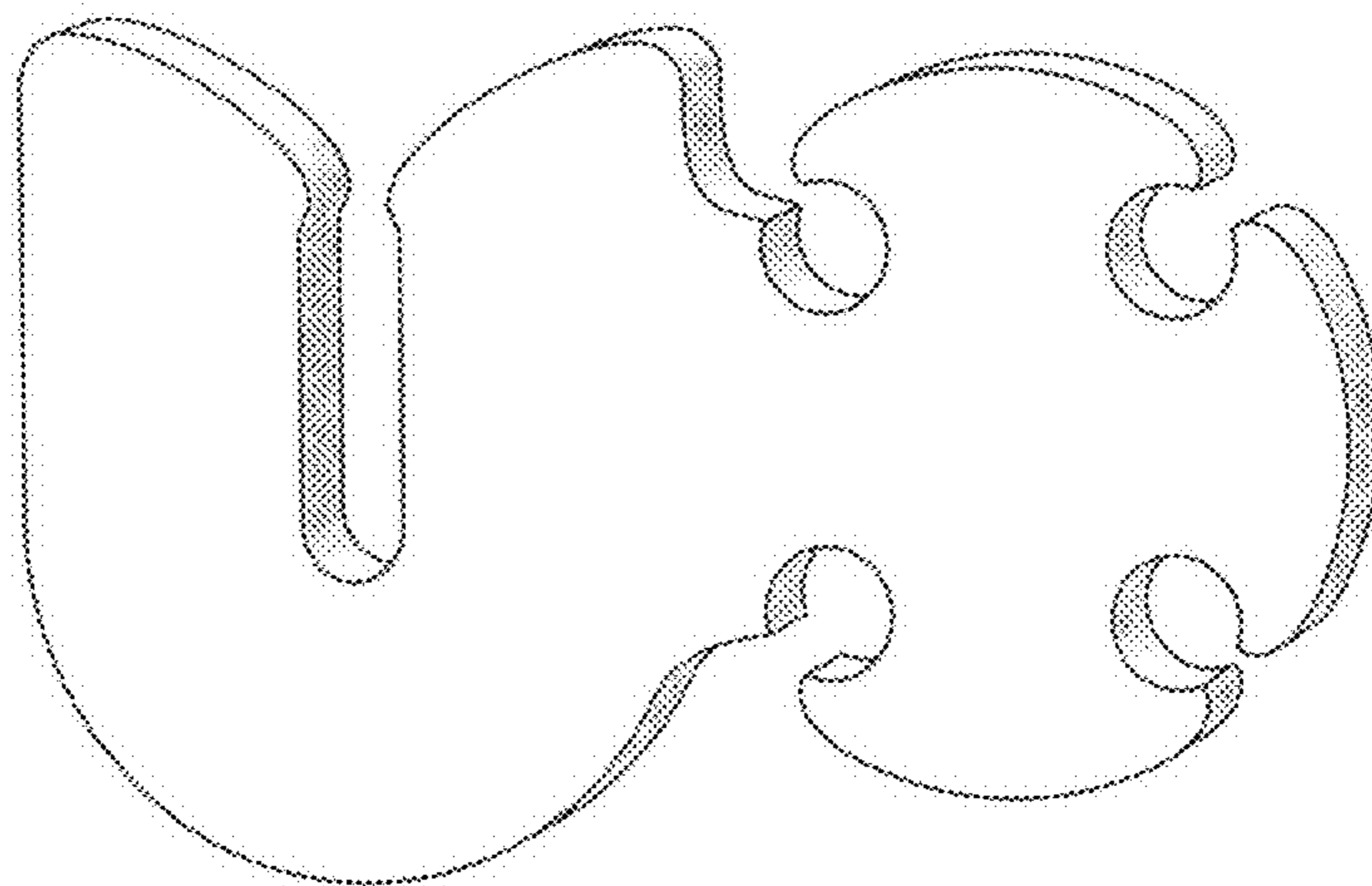
FIG. 5 is a bottom plan view thereof;

FIG. 6 is an environmental, perspective view thereof; and,

FIG. 7 is an environmental, top plan view thereof.

The broken lines in FIGS. 6 and 7 show structures illustrating the design in an environment of use and form no part of the claimed design.

1 Claim, 2 Drawing Sheets



US D587,989 S

Page 2

U.S. PATENT DOCUMENTS

| | | | | | | | |
|----------------|---------|-----------------------|---------|-------------------|---------|----------------------|---------|
| D487,390 S * | 3/2004 | Tanaka et al. | D8/354 | 7,081,004 B1 * | 7/2006 | Puzio | 439/369 |
| D488,372 S * | 4/2004 | Gambrell | D8/356 | D568,254 S * | 5/2008 | Patchett et al. | D13/155 |
| 6,833,508 B2 * | 12/2004 | Cha | 174/135 | D576,867 S * | 9/2008 | Kretz | D8/356 |
| D505,616 S * | 5/2005 | Wingerter et al. | D8/383 | 2007/0011850 A1 * | 1/2007 | Downing et al. | 24/16 R |
| 6,979,221 B1 * | 12/2005 | Hunter | 439/369 | 2007/0264859 A1 * | 11/2007 | Valle | 439/369 |
| D522,849 S * | 6/2006 | Dick et al. | D8/395 | | | | |

* cited by examiner

Fig. 1

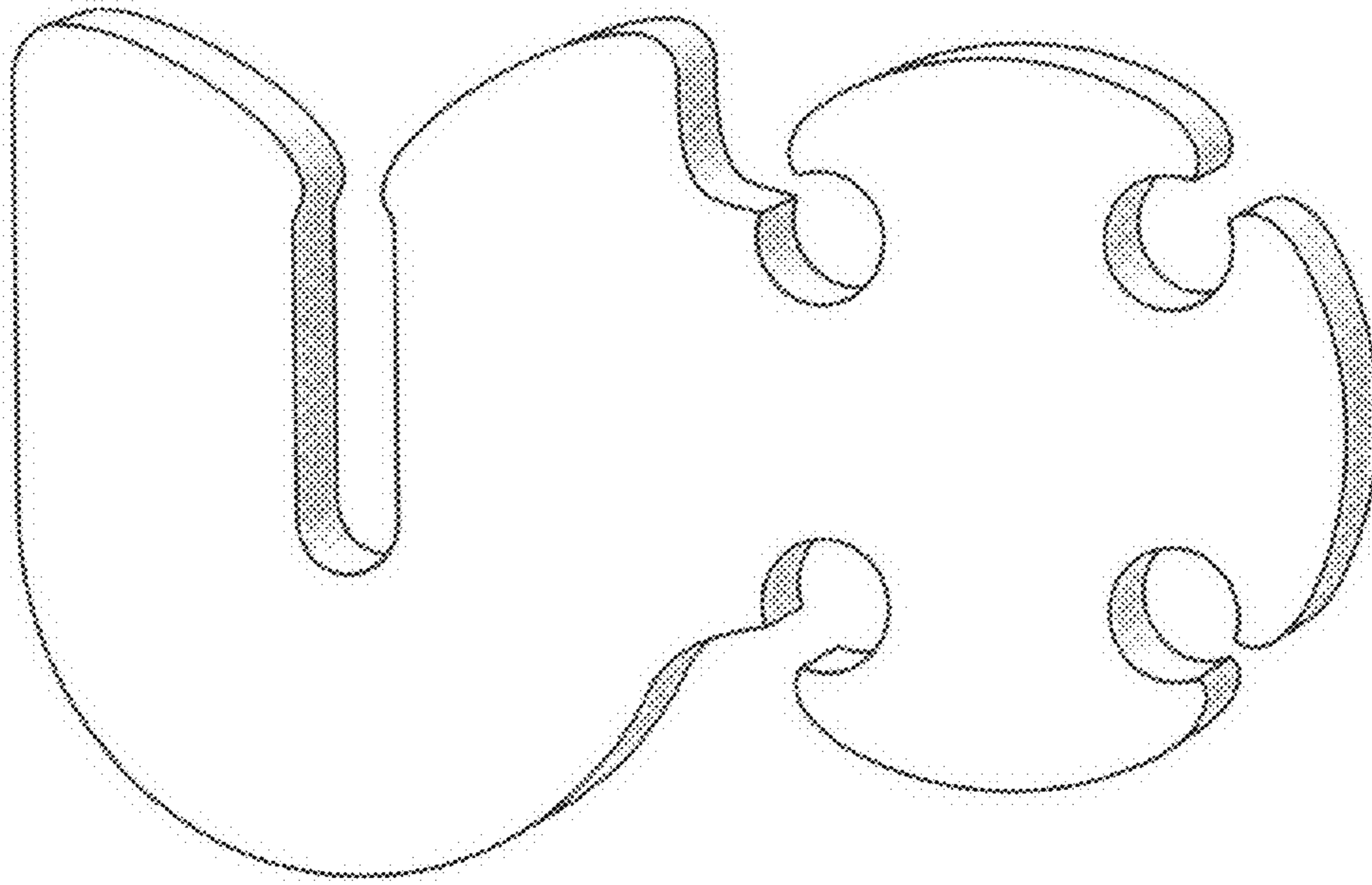


Fig. 2



Fig. 3

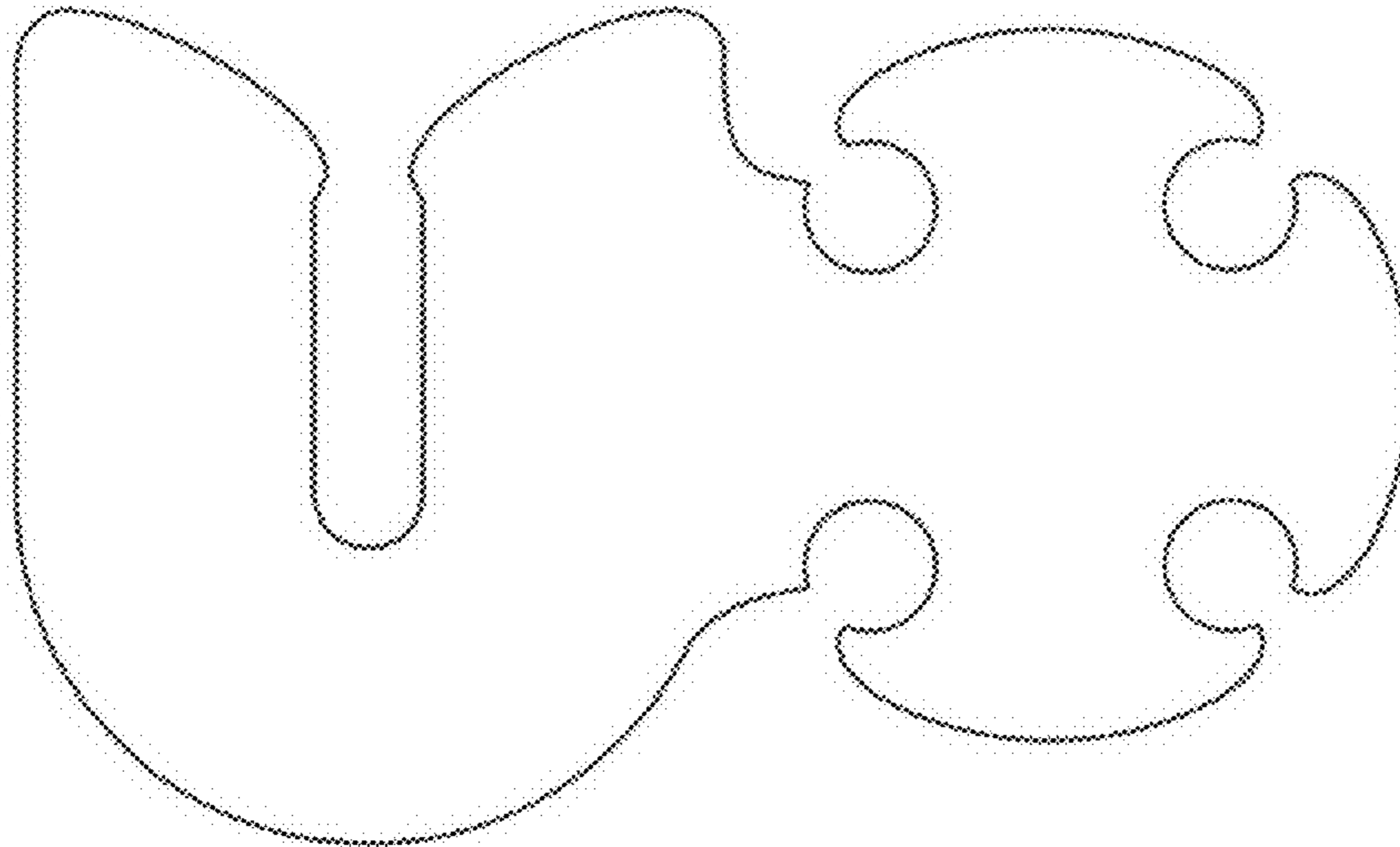


Fig. 4



Fig. 5



Fig. 6

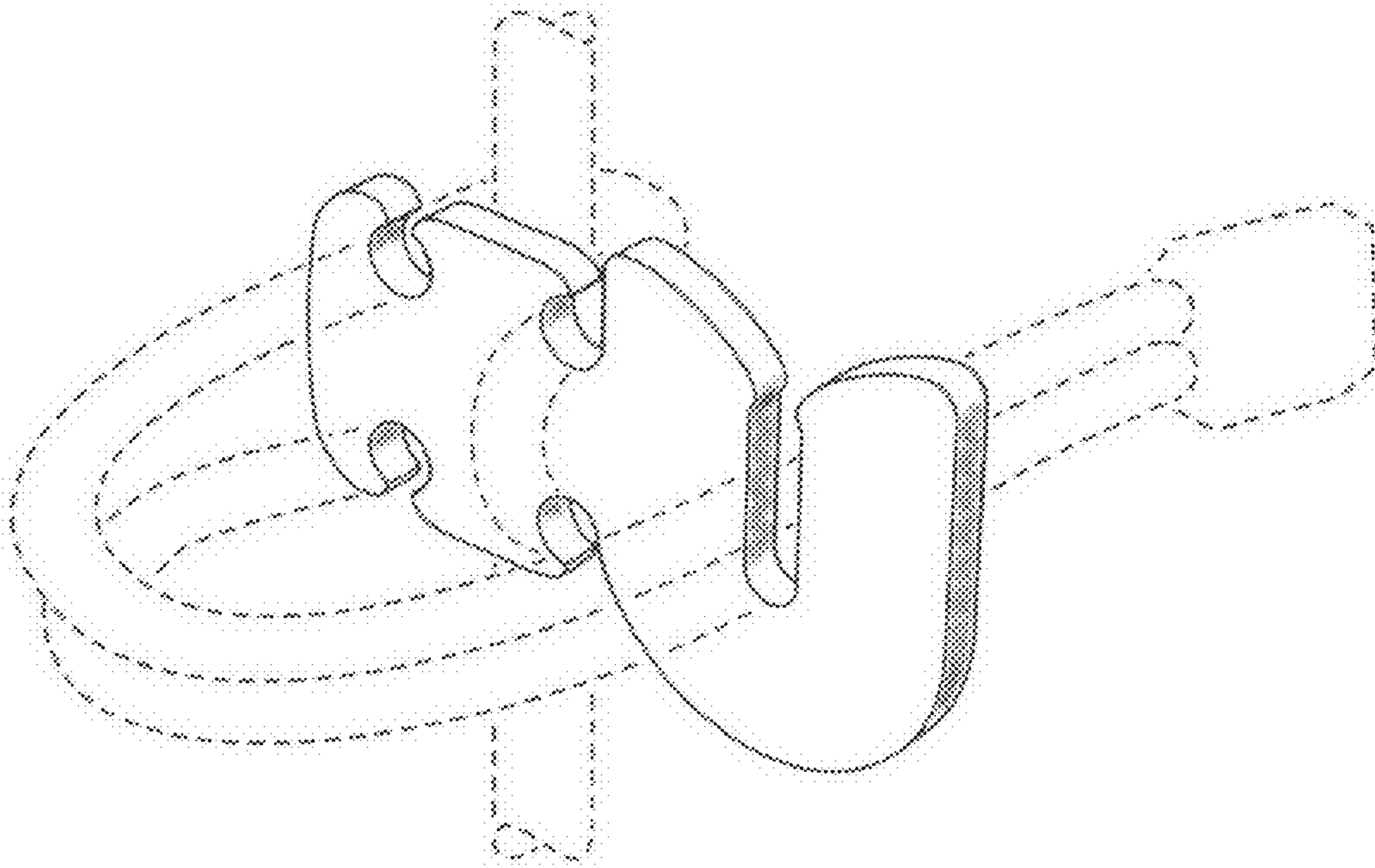
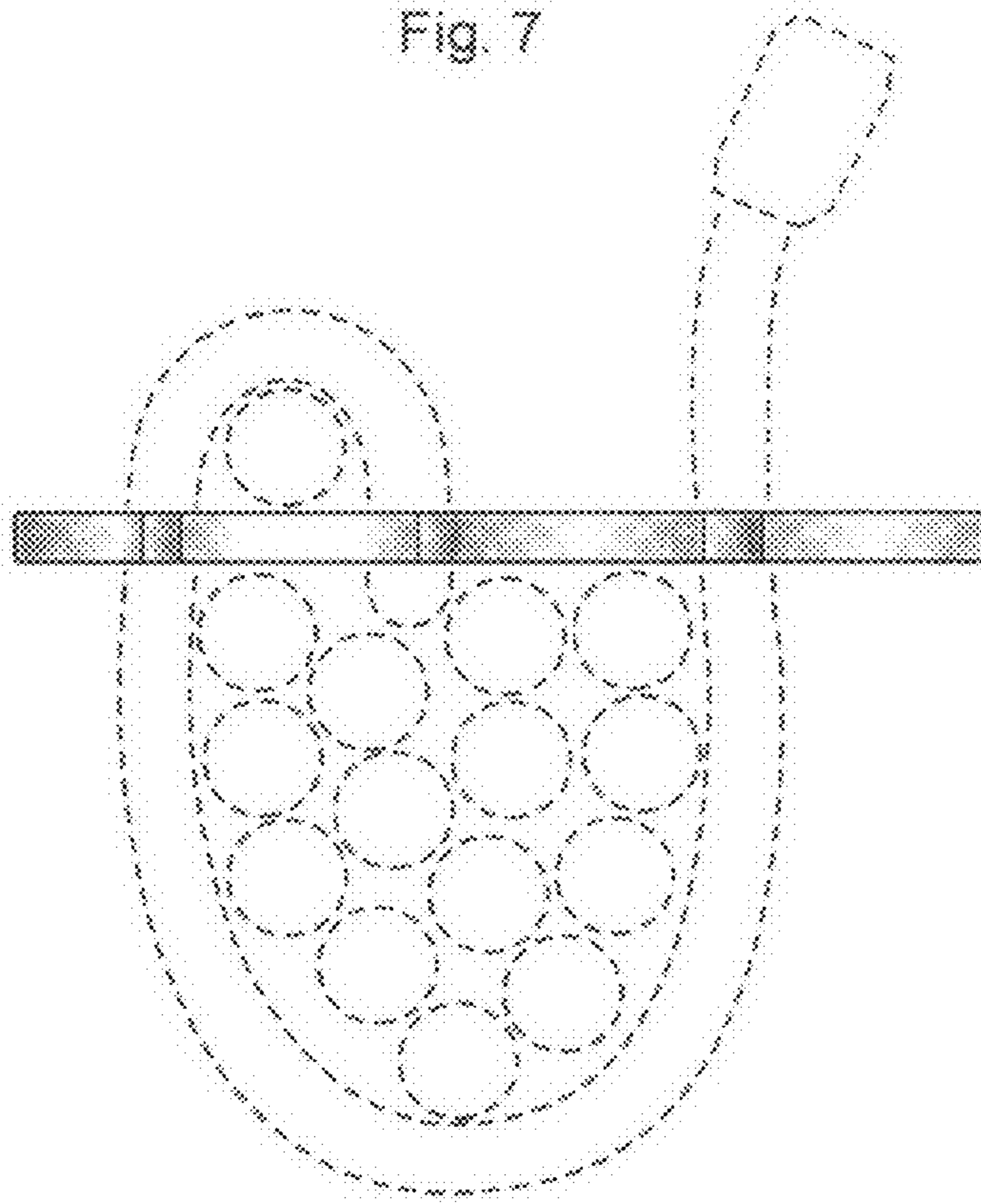


Fig. 7



UNITED STATES PATENT AND TRADEMARK OFFICE
CERTIFICATE OF CORRECTION

PATENT NO. : Des. 587,989 S
APPLICATION NO. : 29/308675
DATED : March 10, 2009
INVENTOR(S) : Johansson

Page 1 of 4

It is certified that error appears in the above-identified patent and that said Letters Patent is hereby corrected as shown below:

Title page illustrating a figure(s) should be deleted, and replaced with title page illustrating a figure(s). (attached)

Delete drawing sheets, and replace with new drawing sheets. (attached)

Signed and Sealed this

Nineteenth Day of May, 2009



JOHN DOLL
Acting Director of the United States Patent and Trademark Office

(12) **United States Design Patent**
Johansson

(10) **Patent No.:** **US D587,989 S**
(45) **Date of Patent:** **** Mar. 10, 2009**

(54) **CORD LOCK**
(76) **Inventor:** **Benny Johansson, Götagatan 3 B,
Hässelholm (SE) 28150**
(**) **Term:** **14 Years**
(21) **Appl. No.:** **29/308,675**
(22) **Filed:** **Jul. 1, 2008**

Related U.S. Application Data

(62) **Division of application No. 29/286,163, filed on Apr. 26, 2007.**

(51) **LOC (9) Cl.** **08-05**
(52) **U.S. Cl.** **D8/356**
(58) **Field of Classification Search** **D8/105,
D8/107, 333, 349, 354, 356, 358, 360, 360.1,
D8/367, 373, 382, 383, 394-396, 400; D23/261;
D26/38; 24/18, 197, 561; 174/153 G, 650,
174/656, 135; 242/400.1, 405.1, 405.2, 600,
242/603, 604, 604.1, 607, 608, 608.6, 608.7,
242/609, 916; 248/65, 74.1-74.4, 201, 214,
248/215, 229.26, 302, 304, 316.7, 316.8;
439/367, 369, 371, 472; 211/119; D13/153;
224/268, 269, 666**

See application file for complete search history.

(56) **References Cited**

U.S. PATENT DOCUMENTS

479,509 A * 7/1892 Heaphy, Jr. 24/130
D23,423 S * 7/1894 Harry D8/382
656,431 A * 8/1900 Stewart 24/130
1,383,665 A * 7/1921 Rohan 24/129 B
1,485,266 A * 2/1924 Hennah 24/570
1,485,996 A * 3/1924 Stout 24/18
1,806,162 A * 5/1931 Hahn 24/712.6
2,204,117 A * 6/1940 Branmer 474/241
2,229,935 A * 1/1941 Powers 24/131 R
D1,53,644 S * 5/1949 Stanley, Sr. et al. D32/61
2,533,341 A * 12/1950 Alfano 242/388

2,825,952 A * 3/1958 Van Driel 24/570
D259,244 S * 5/1981 Grecol, Jr. D8/380
D275,262 S * 8/1984 Kimball D8/356
4,779,816 A * 10/1988 Varlet 242/405.1
5,179,044 A * 1/1993 Muromachi et al. 439/369
5,336,106 A * 8/1994 Osten 439/369
D359,229 S * 6/1995 Jules D8/395
5,423,693 A * 6/1995 Light 439/369
D372,188 S * 7/1996 Van Dyke D8/358
D372,420 S * 8/1996 Mendez D8/383
5,547,390 A * 8/1996 Laherty 439/373
5,625,925 A * 5/1997 Richards 24/129 B
D389,050 S * 1/1998 Li D8/395
D412,100 S * 7/1999 Kruse et al. D8/367
6,012,940 A * 1/2000 Wheeler 439/369
D461,115 S * 8/2002 Vassioukevitch D8/360.1
6,450,436 B1 * 9/2002 Tsuji et al. 242/400.1

(Continued)

Primary Examiner—T. Chase Nelson
Assistant Examiner—Karen Acker

(57) **CLAIM**

The ornamental design for a cord lock, as shown and described.

DESCRIPTION

FIG. 1 is a perspective view of a cord lock showing my new design;

FIG. 2 is a left side elevational view thereof;

FIG. 3 is a front elevational view, the opposite side being a mirror image thereof;

FIG. 4 is a right side elevational view thereof;

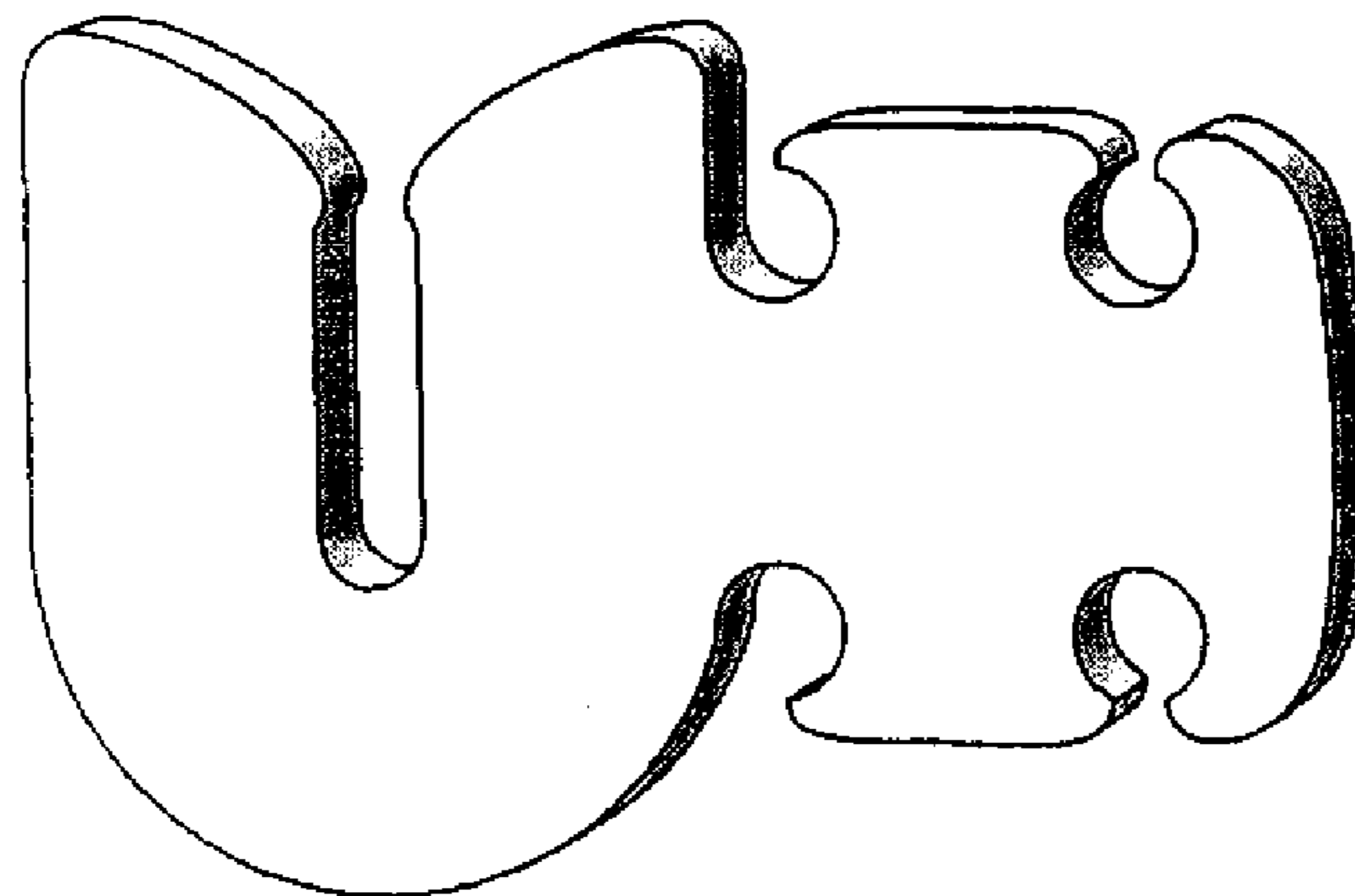
FIG. 5 is a bottom plan view thereof;

FIG. 6 is an environmental, perspective view thereof; and,

FIG. 7 is an environmental, top plan view thereof.

The broken lines in FIGS. 6 and 7 show structures illustrating the design in an environment of use and form no part of the claimed design.

1 Claim, 2 Drawing Sheets



U.S. Patent

Mar. 10, 2009

Sheet 1 of 2

D587,989 S

Fig. 1

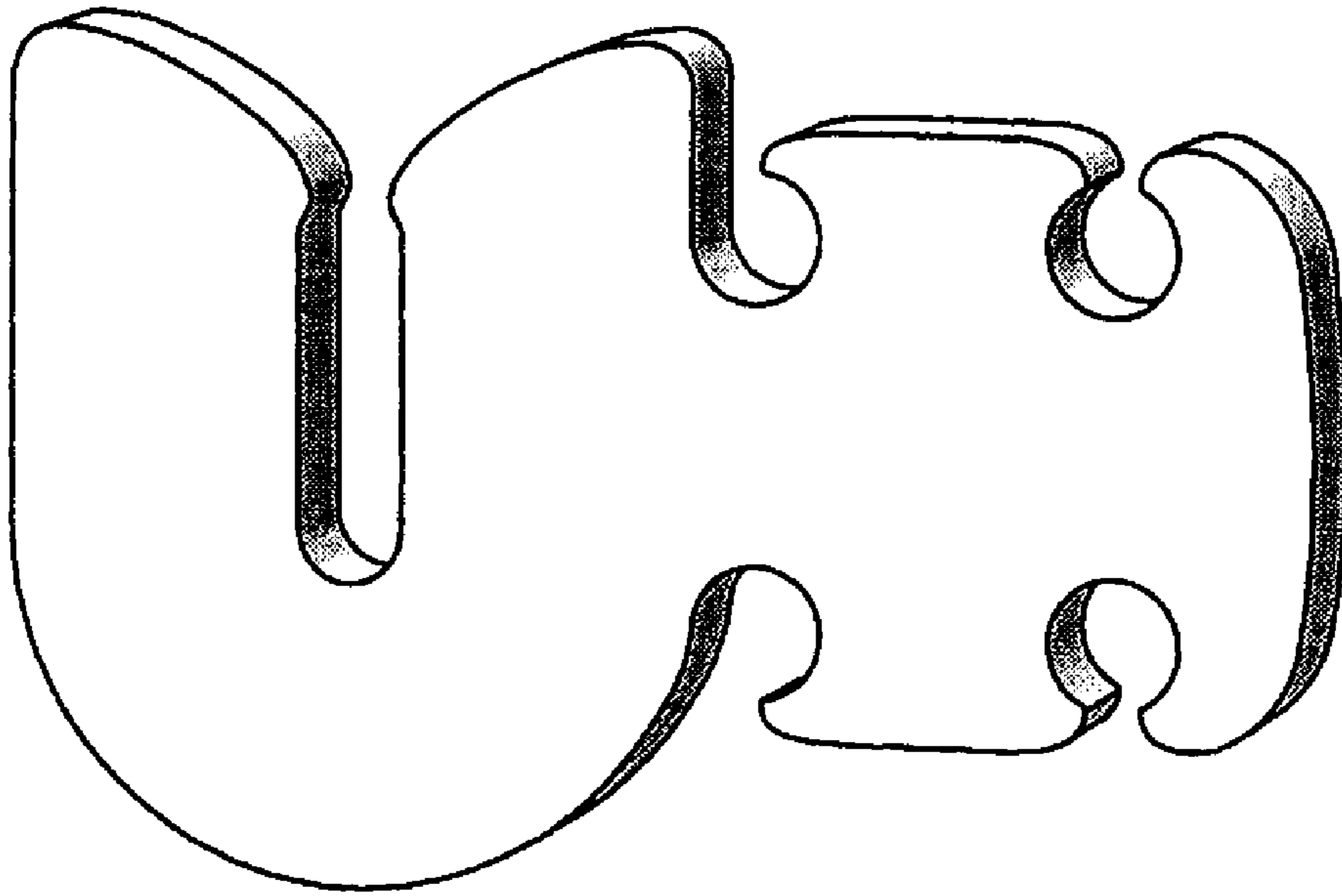


Fig. 2

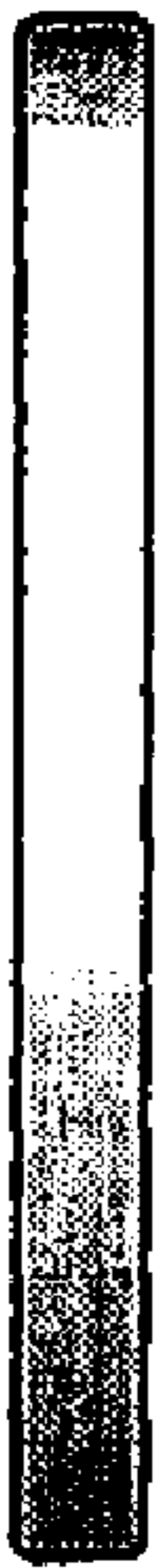


Fig. 3

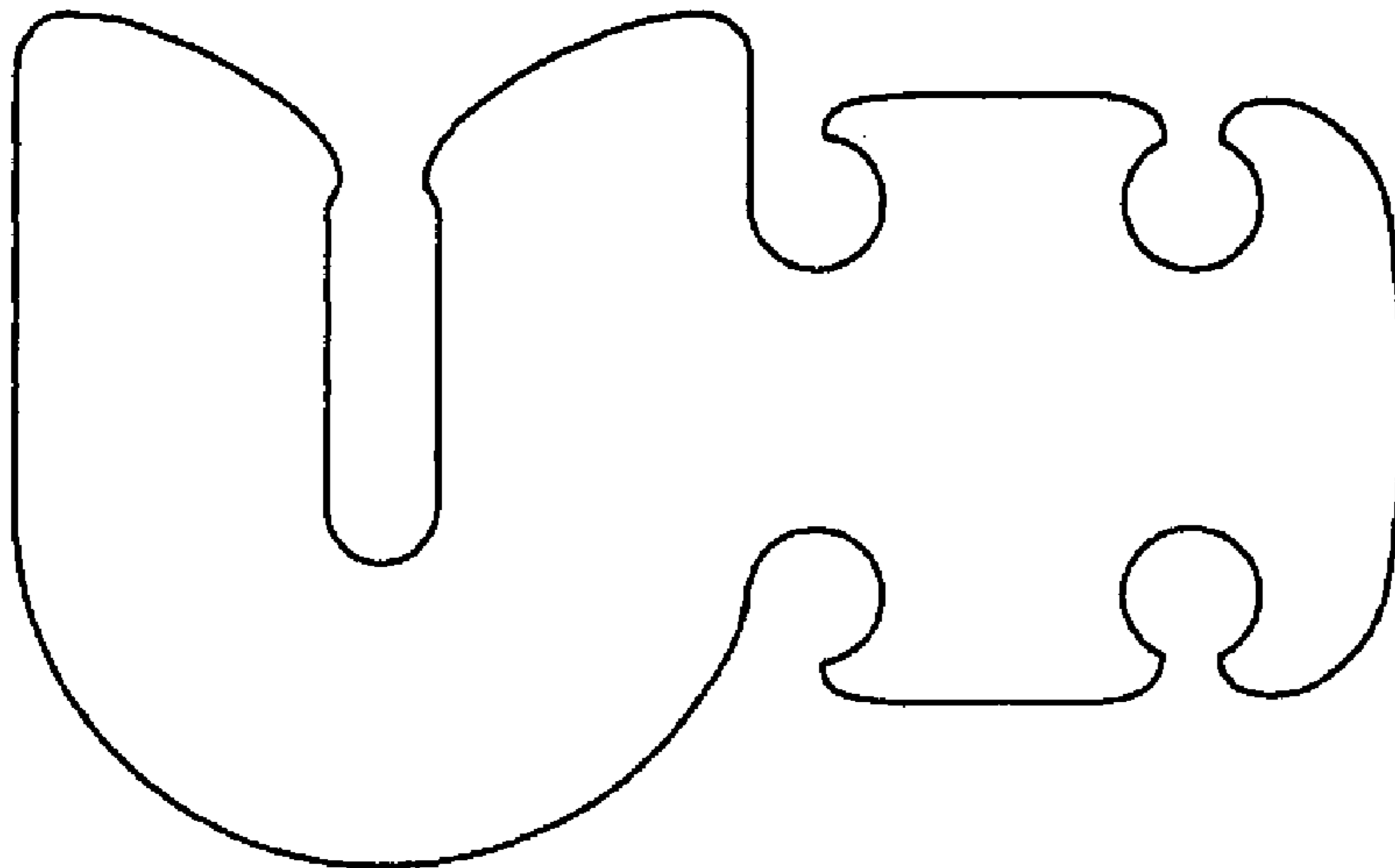


Fig. 4



Fig. 5



Fig. 6

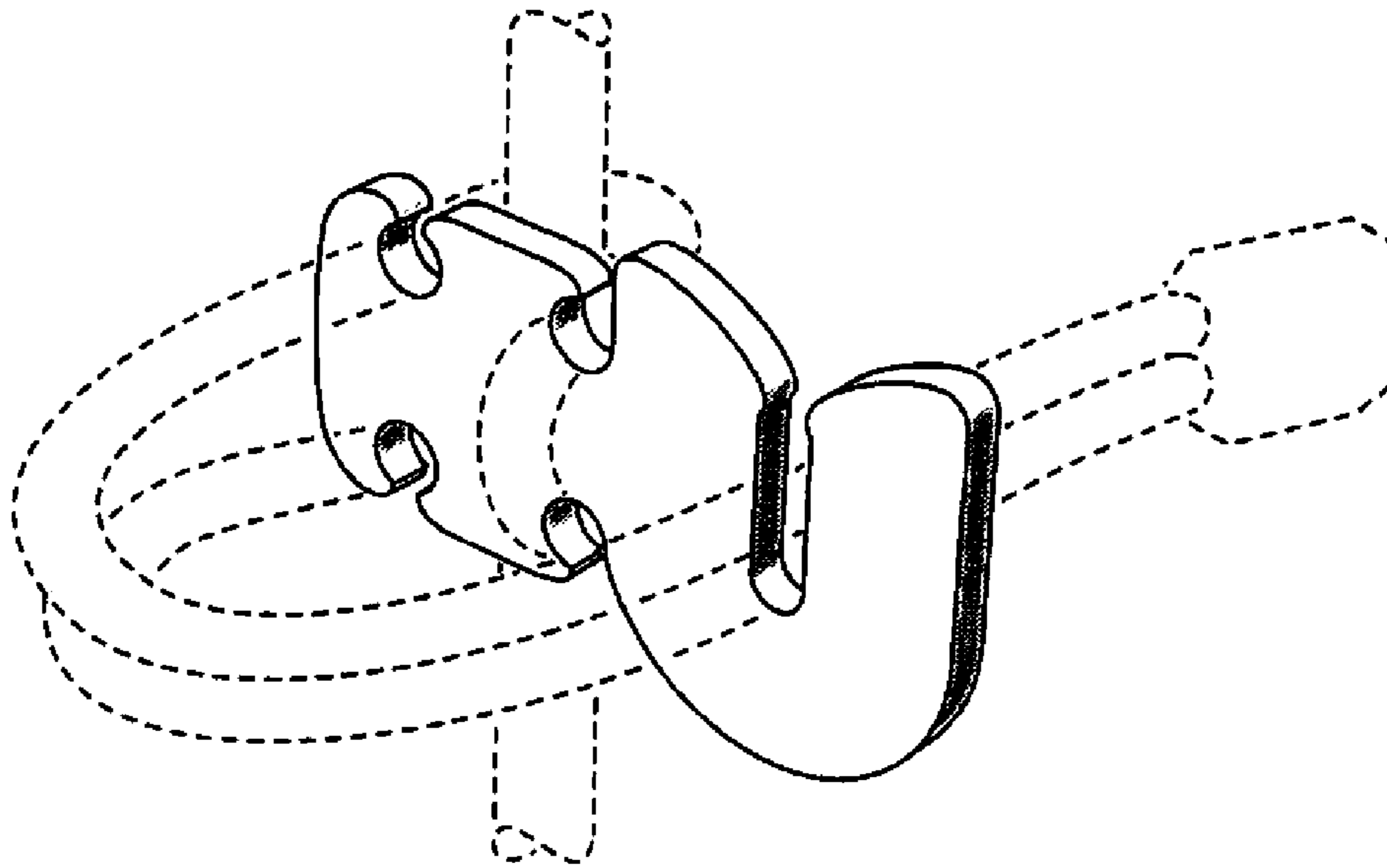


Fig. 7

