



US00D587985S

(12) **United States Design Patent**  
**Zorc et al.**

(10) **Patent No.:** **US D587,985 S**  
(45) **Date of Patent:** **\*\* Mar. 10, 2009**

(54) **PADLOCK JACKET**

(75) Inventors: **Philip Zorc**, Foothill Ranch, CA (US);  
**Ashton Good**, Foothill Ranch, CA (US);  
**Max Beach**, Venice, CA (US); **Clint**  
**Woesner**, Venice, CA (US)

(73) Assignee: **Hampton Products International Corporation**, Foothill Ranch, CA (US)

(\*\*) Term: **14 Years**

(21) Appl. No.: **29/310,762**

(22) Filed: **Sep. 9, 2008**

(51) **LOC (9) Cl.** ..... **08-07**

(52) **U.S. Cl.** ..... **D8/343; D8/334**

(58) **Field of Classification Search** ..... D8/330,  
D8/331, 334, 336, 338, 343, 346, 339; 70/14,  
70/20, 24, 25, 31, 35, 38 A, 51-56, 91, 141,  
70/DIG. 3, DIG. 4, DIG. 43, DIG. 56  
See application file for complete search history.

(56) **References Cited**

**U.S. PATENT DOCUMENTS**

D143,243	S	*	12/1945	Soref	.....	D5/14
3,453,758	A	*	7/1969	Foote et al.	.....	40/665
4,224,813	A	*	9/1980	Hampton	.....	70/51
4,226,100	A	*	10/1980	Hampton et al.	.....	70/51
4,317,344	A	*	3/1982	Barnard	.....	70/55
5,761,935	A	*	6/1998	Adelmeyer	.....	70/55
D423,324	S	*	4/2000	Liu	.....	D8/334

6,539,754	B1	*	4/2003	Fang	.....	70/52
D537,703	S	*	3/2007	Kearns et al.	.....	D8/334
7,380,425	B2	*	6/2008	Elliott et al.	.....	70/56
D577,278	S	*	9/2008	Rohde et al.	.....	D8/334
D578,864	S	*	10/2008	Rohde et al.	.....	D8/334
2008/0012686	A1	*	1/2008	Bonestroo	.....	340/5.53

\* cited by examiner

*Primary Examiner*—Prabhakar Deshmukh

(74) *Attorney, Agent, or Firm*—William G. Lane

(57) **CLAIM**

What is claimed is the ornamental design for padlock jacket, as shown and described.

**DESCRIPTION**

FIG. 1 is a rear perspective view of a padlock jacket showing our new design;

FIG. 2 is a front perspective view thereof;

FIG. 3 is a right side elevational view thereof, the left side elevational view being a mirror image thereof;

FIG. 4 is rear elevational view thereof;

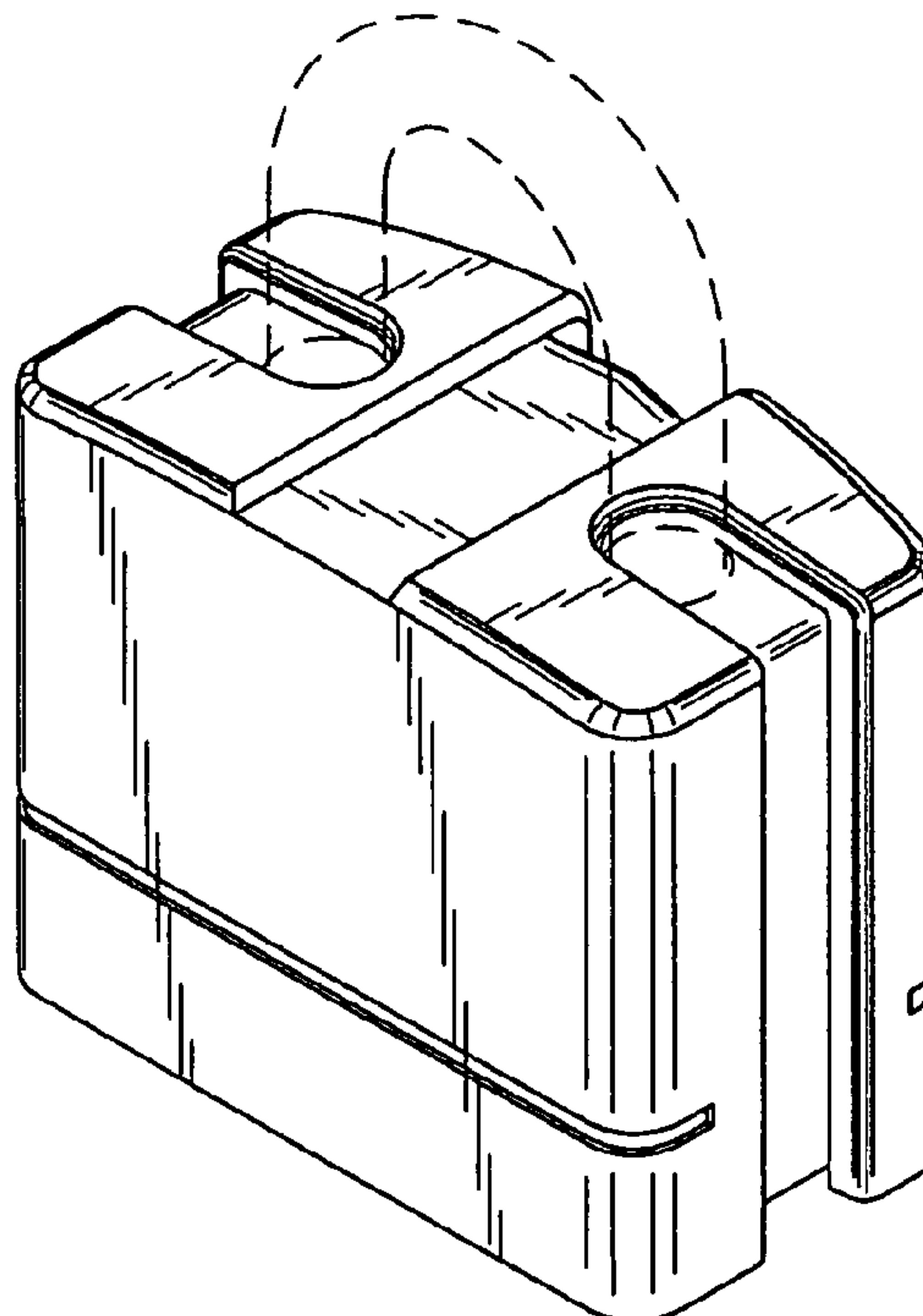
FIG. 5 is a front elevational view thereof;

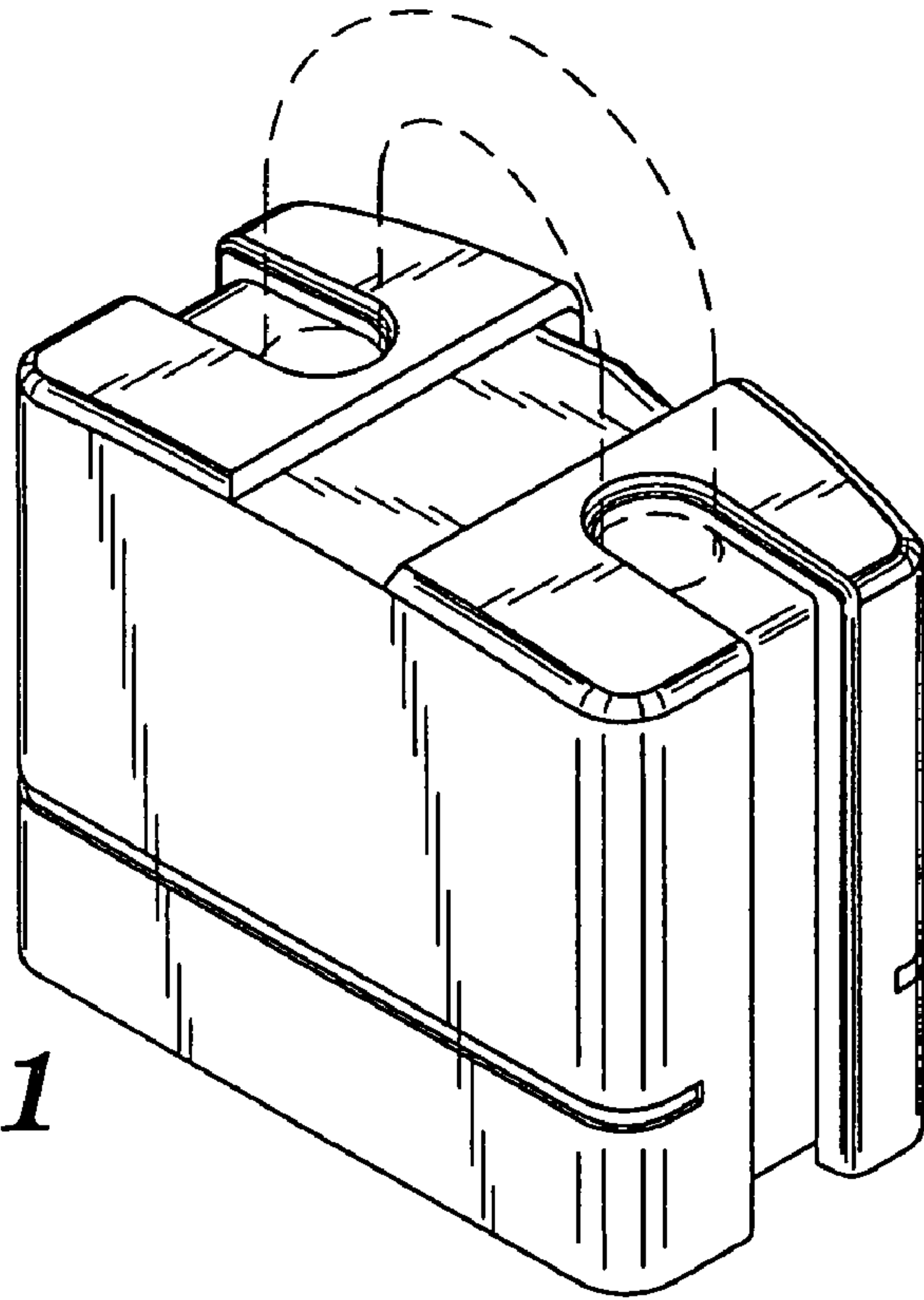
FIG. 6 is a top plan view thereof; and,

FIG. 7 is a bottom plan view thereof.

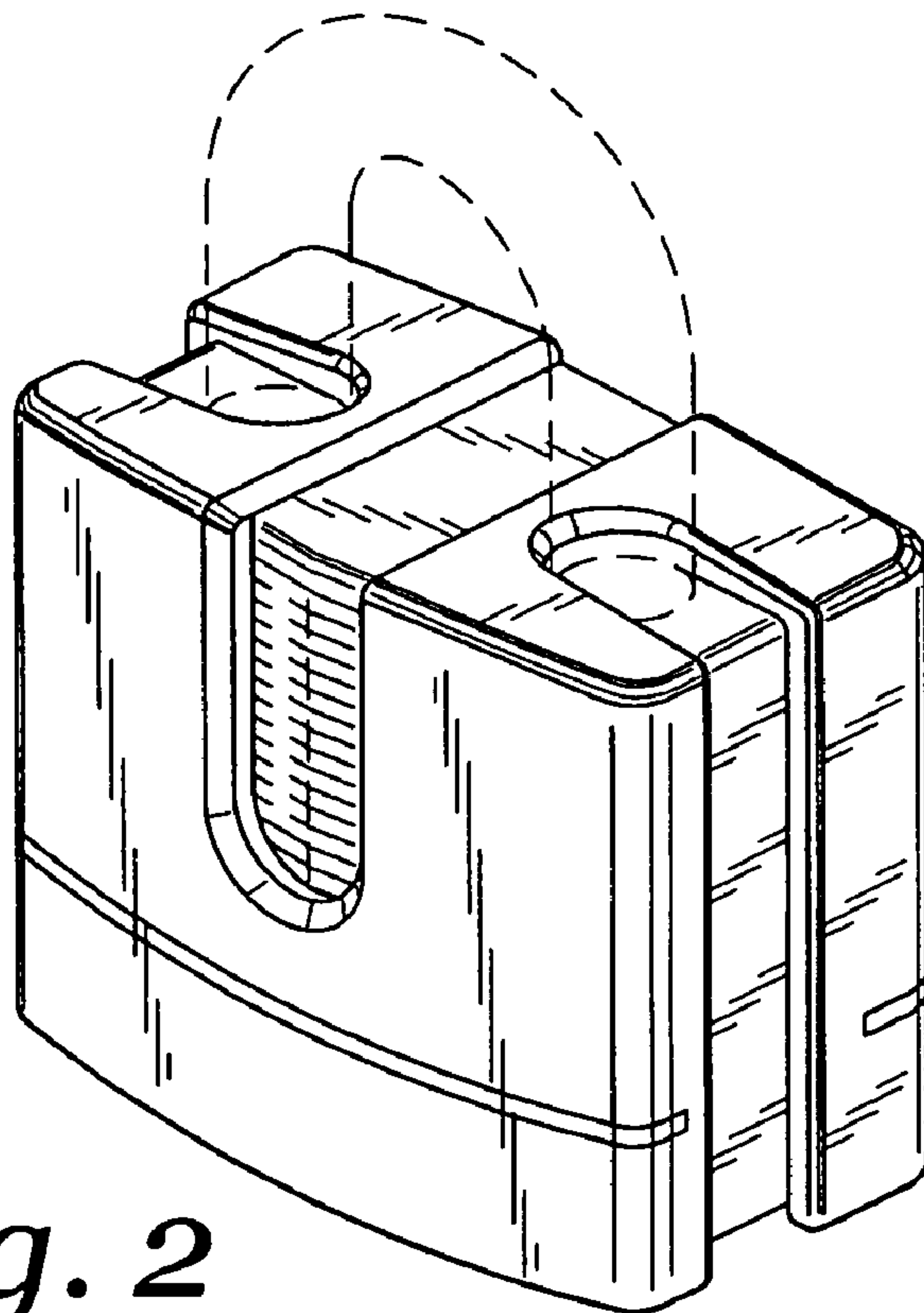
The portions shown in broken lines are for illustrative purpose only and form no part of the claimed design.

**1 Claim, 3 Drawing Sheets**

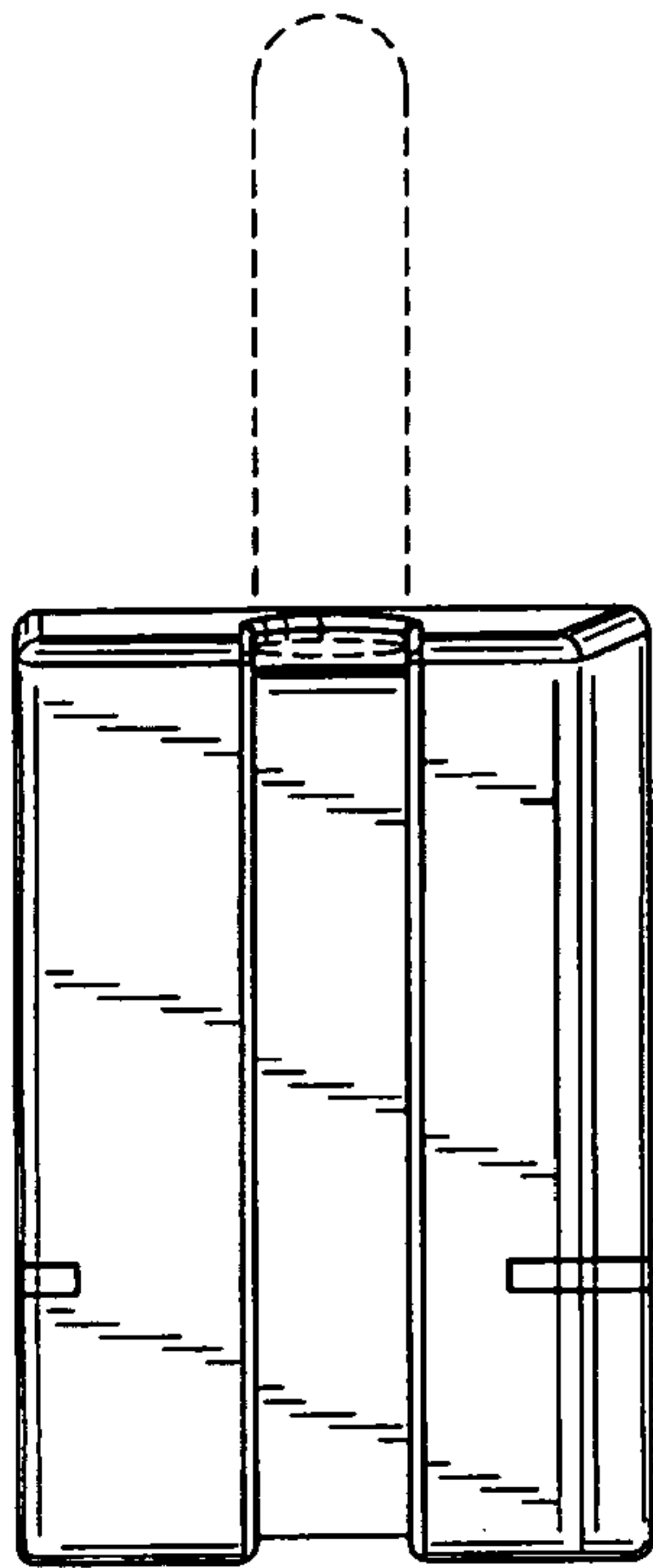




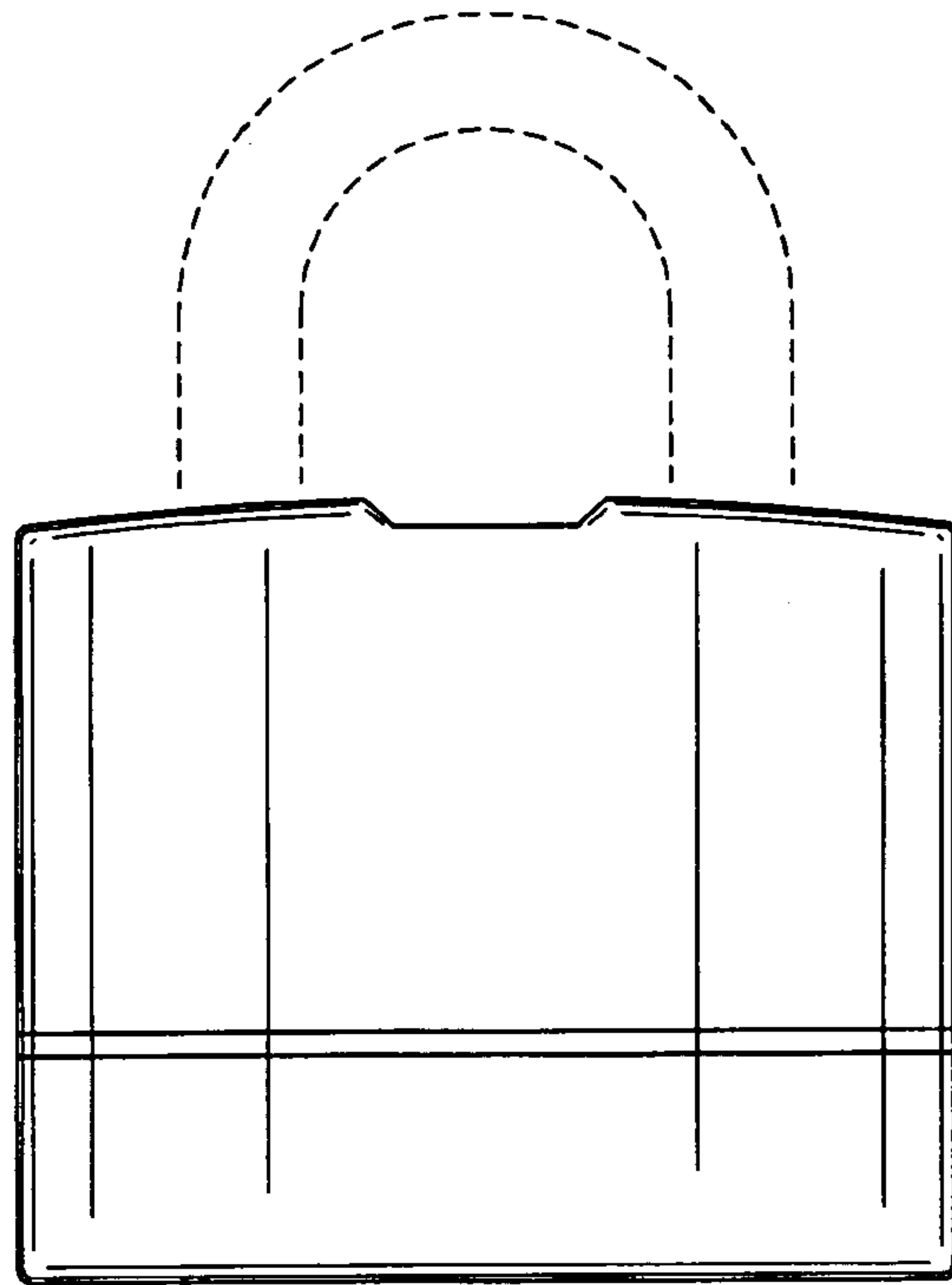
*Fig. 1*



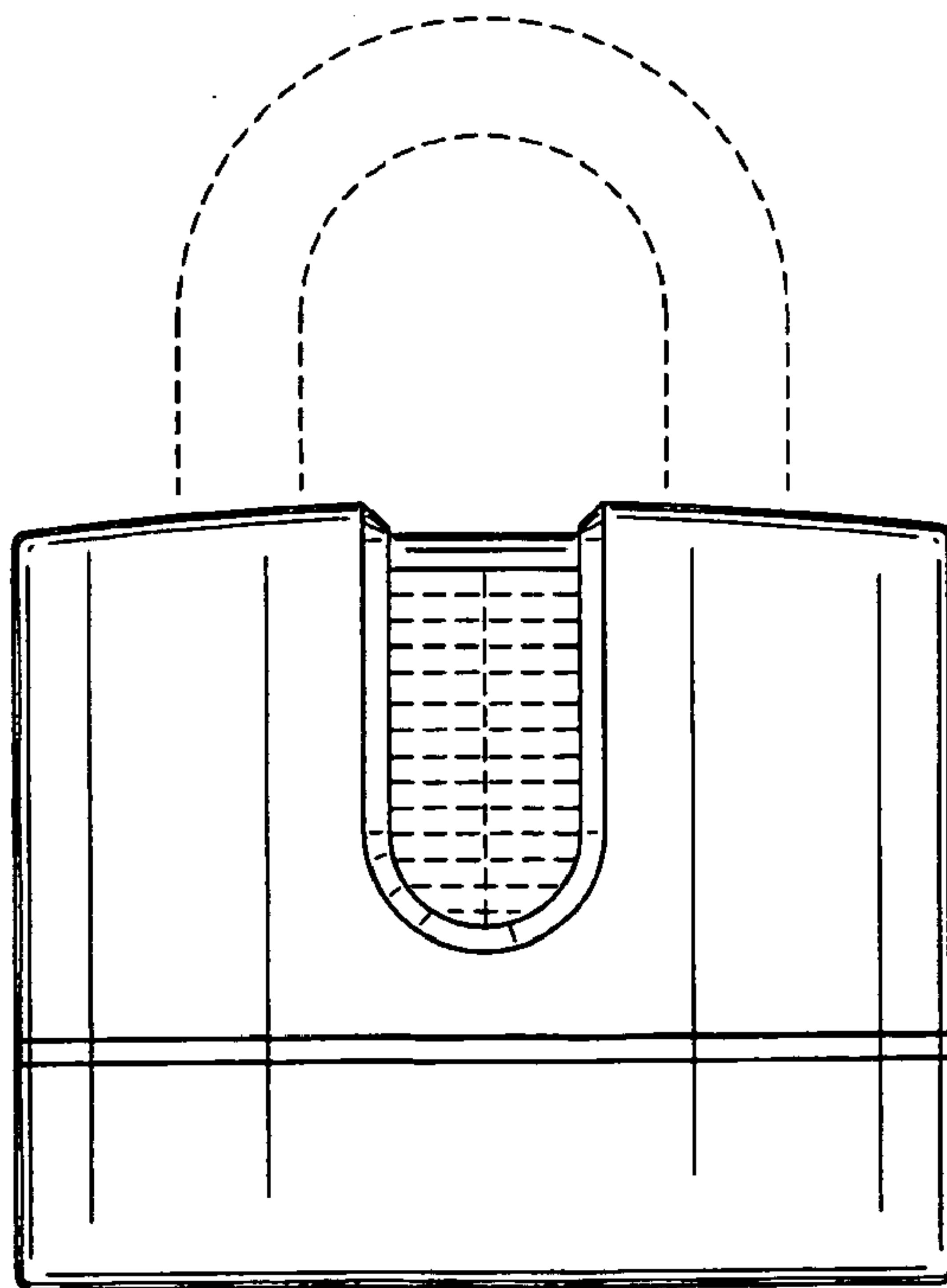
*Fig. 2*



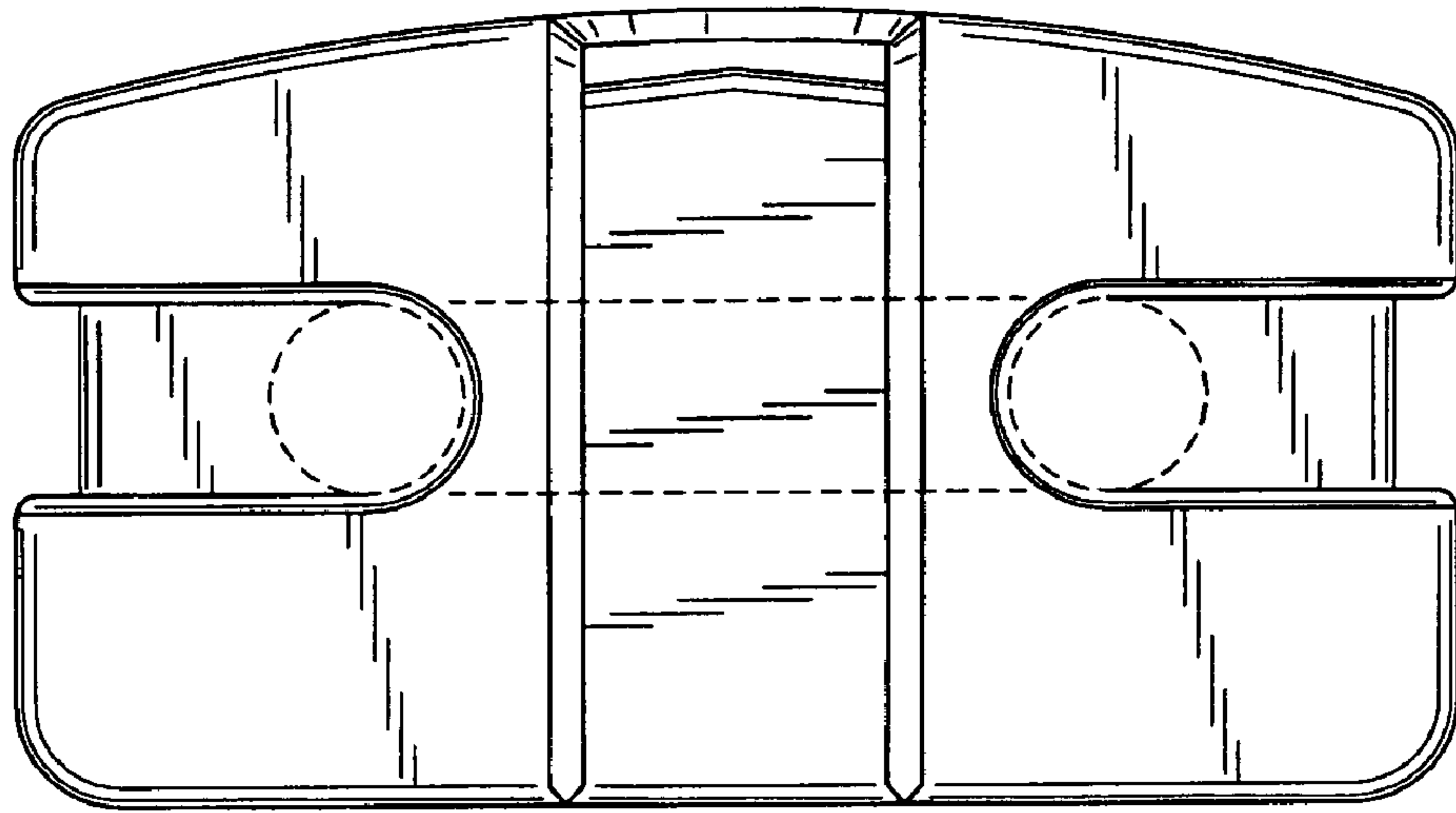
*Fig. 3*



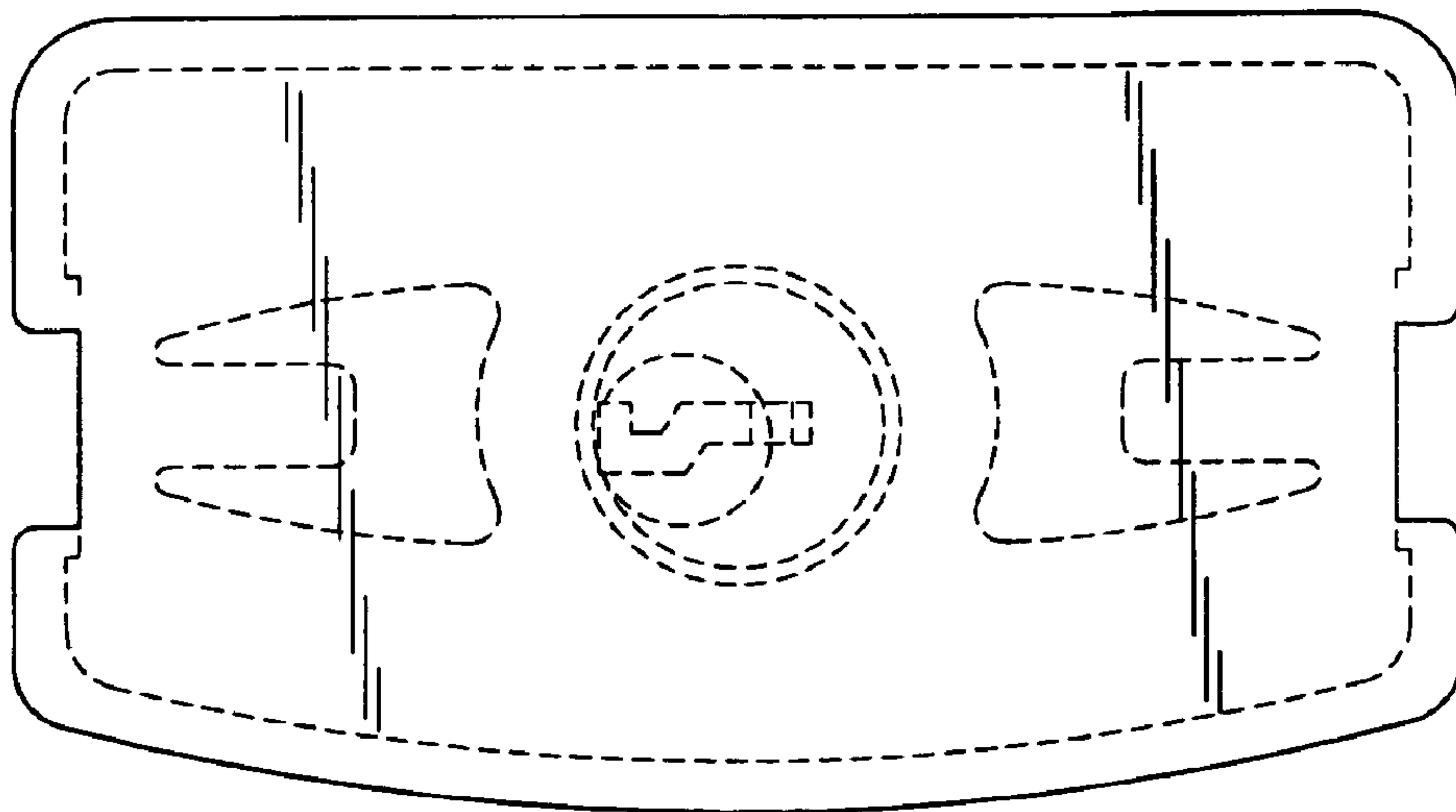
*Fig. 4*



*Fig. 5*



*Fig. 6*



*Fig. 7*