



US00D587983S

(12) **United States Design Patent**
Zorc et al.

(10) **Patent No.:** **US D587,983 S**
(45) **Date of Patent:** **** Mar. 10, 2009**

(54) **PADLOCK JACKET**

(75) Inventors: **Philip Zorc**, Foothill Ranch, CA (US);
Ashton Good, Foothill Ranch, CA (US);
Max Beach, Venice, CA (US); **Clint**
Woesner, Venice, CA (US)

(73) Assignee: **Hampton Products International**
Corporation, Foothill Ranch, CA (US)

(**) Term: **14 Years**

(21) Appl. No.: **29/310,753**

(22) Filed: **Sep. 9, 2008**

(51) **LOC (9) Cl.** **08-07**

(52) **U.S. Cl.** **D8/343; D8/334**

(58) **Field of Classification Search** D8/330,
D8/331, 334, 336, 338, 343, 346, 339; 70/14,
70/20, 24, 25, 31, 35, 38 A, 51-56, 91, 141,
70/DIG. 3, DIG. 4, DIG. 43, DIG. 56
See application file for complete search history.

(56) **References Cited**

U.S. PATENT DOCUMENTS

D143,243 S *	12/1945	Soref	D5/14
3,453,758 A *	7/1969	Foote et al.	40/665
4,224,813 A *	9/1980	Hampton	70/51
4,226,100 A *	10/1980	Hampton et al.	70/51
4,317,344 A *	3/1982	Barnard	70/55
5,761,935 A *	6/1998	Adelmeyer	70/55

D423,324 S *	4/2000	Liu	D8/334
6,539,754 B1 *	4/2003	Fang	70/52
D537,703 S *	3/2007	Kearns et al.	D8/334
7,380,425 B2 *	6/2008	Elliott et al.	70/56
D577,278 S *	9/2008	Rohde et al.	D8/334
D578,864 S *	10/2008	Rohde et al.	D8/334
2008/0012686 A1 *	1/2008	Bonestroo	340/5.53

* cited by examiner

Primary Examiner—Prabhakar Deshmukh

(74) *Attorney, Agent, or Firm*—William G. Lane

(57) **CLAIM**

The ornamental design for padlock jacket, as shown and described.

DESCRIPTION

FIG. 1 is a perspective view of a padlock jacket showing our new design;

FIG. 2 is a front elevational view thereof, the rear elevational view being a mirror image thereof;

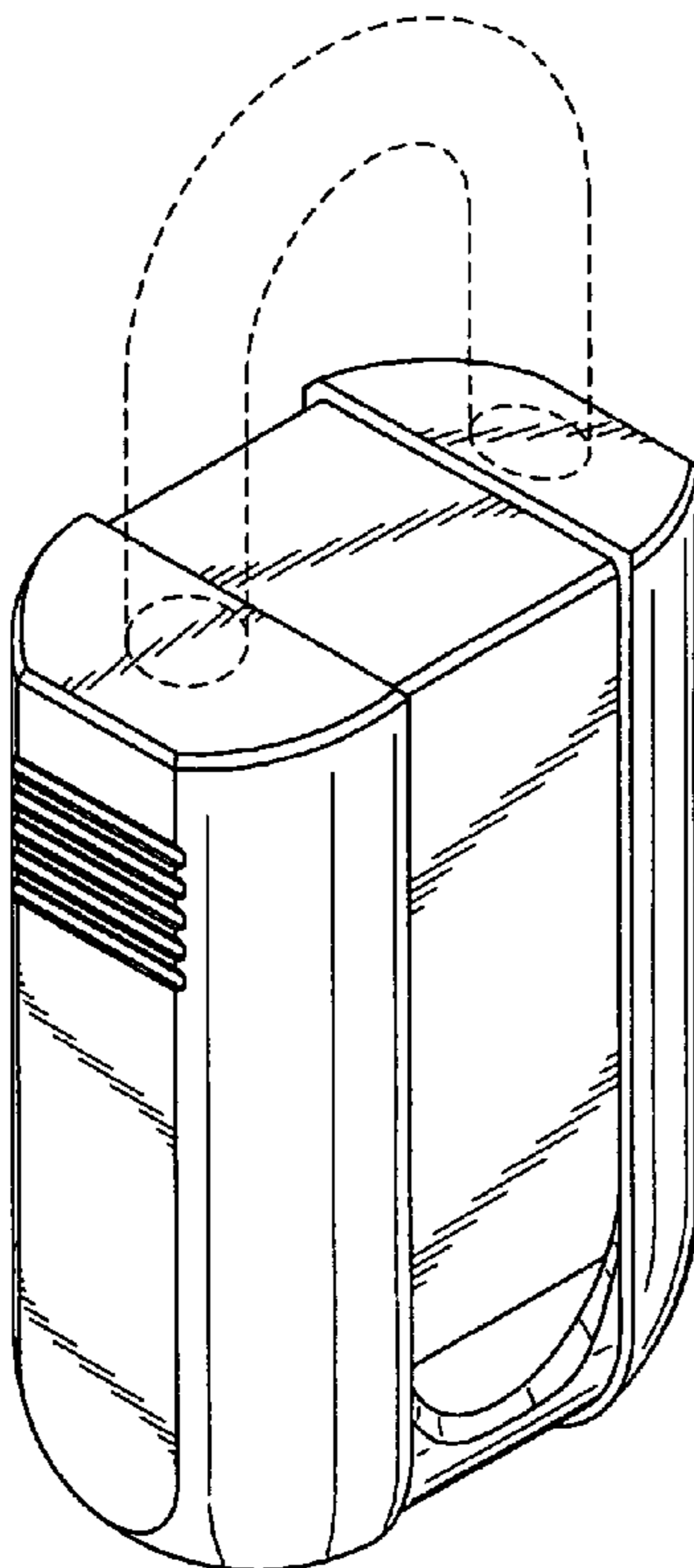
FIG. 3 is a right side elevational view thereof, the left side elevational view being a mirror image thereof;

FIG. 4 is a top plan view thereof; and,

FIG. 5 is a bottom plan view thereof.

The portions shown in broken lines are for illustrative purpose only and form no part of the claimed design.

1 Claim, 2 Drawing Sheets



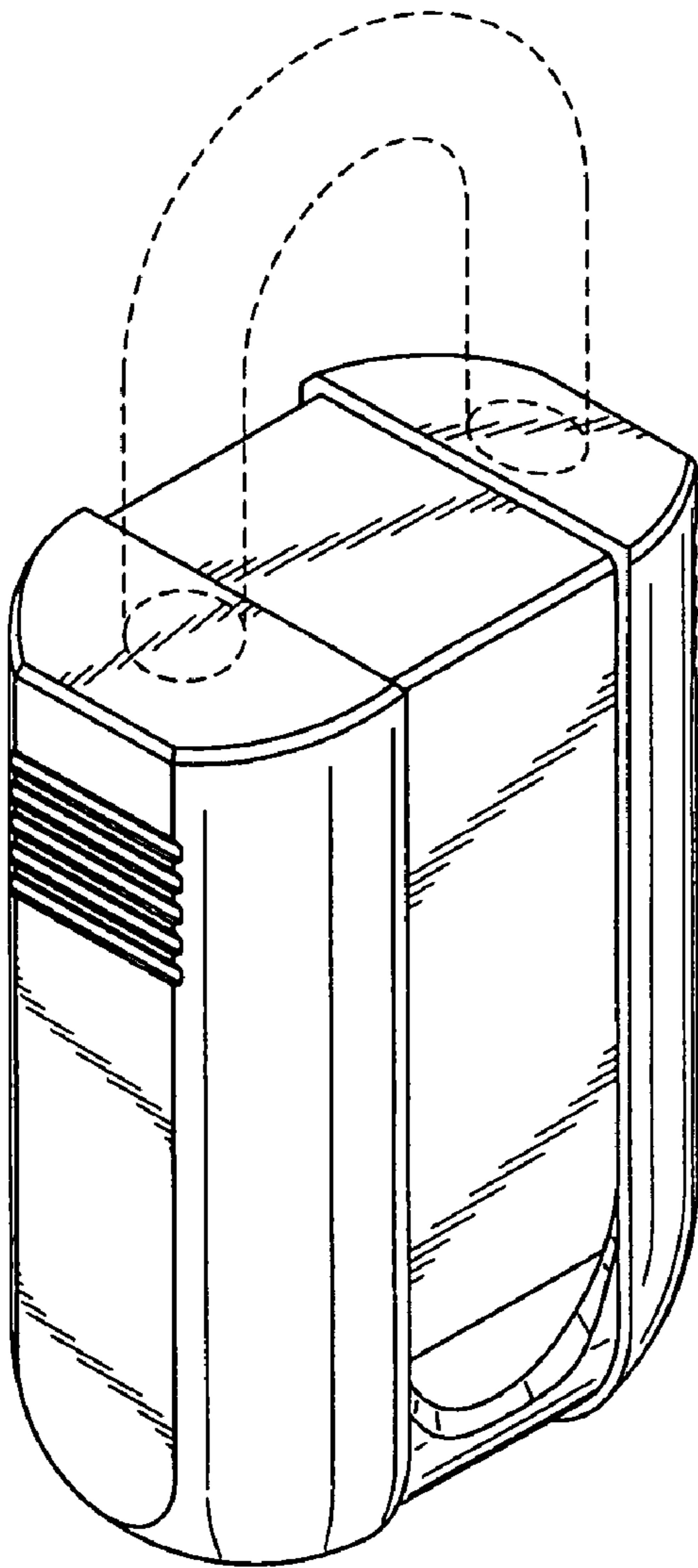


Fig. 1

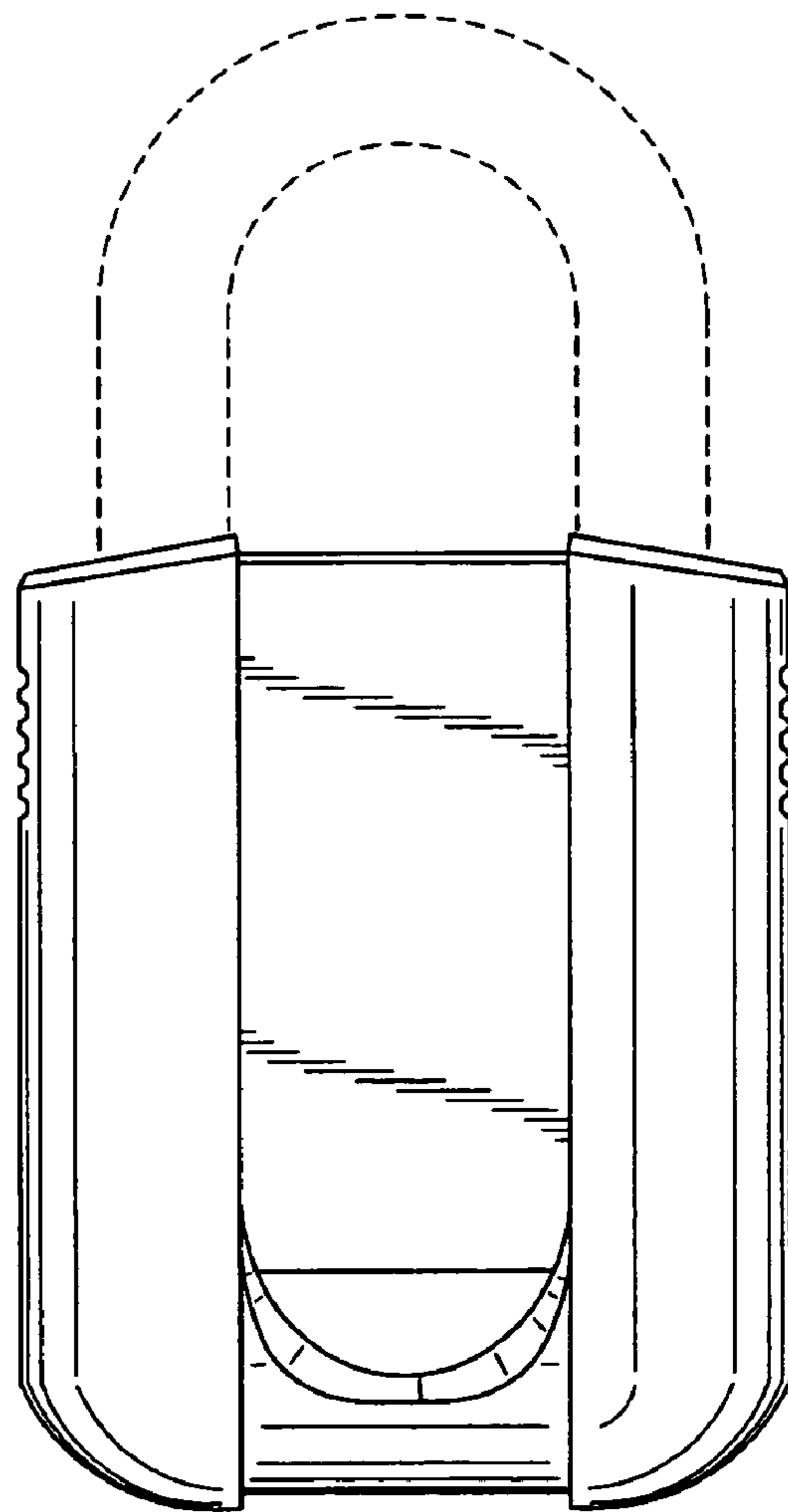


Fig. 2

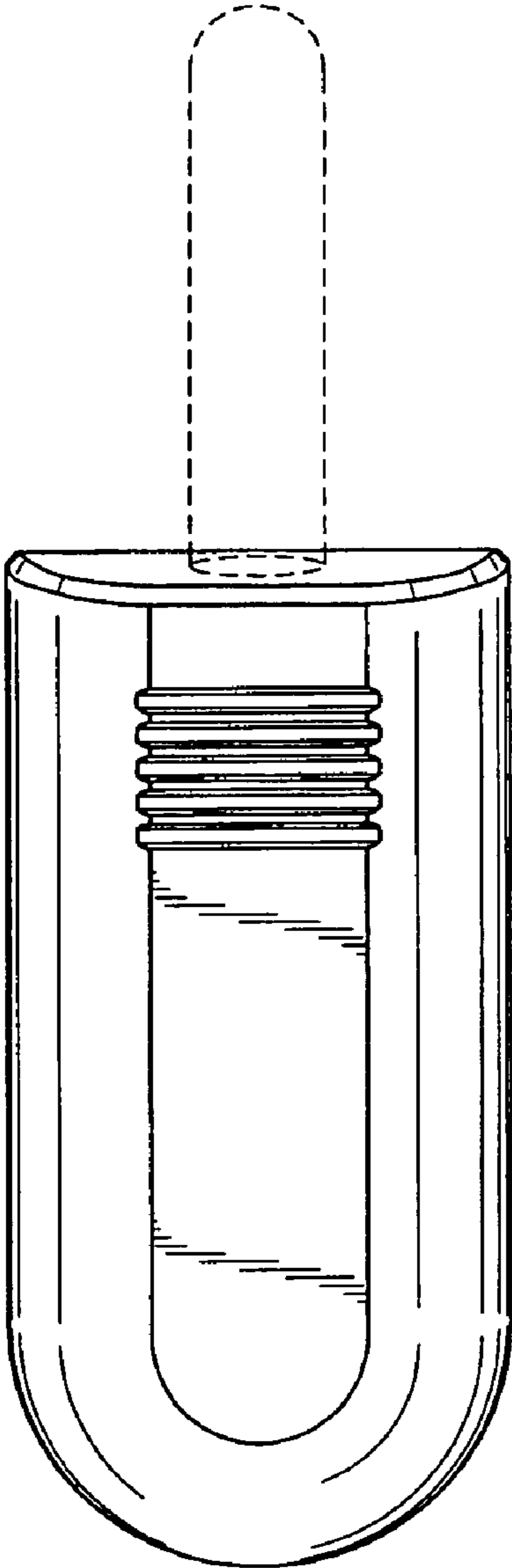


Fig. 3

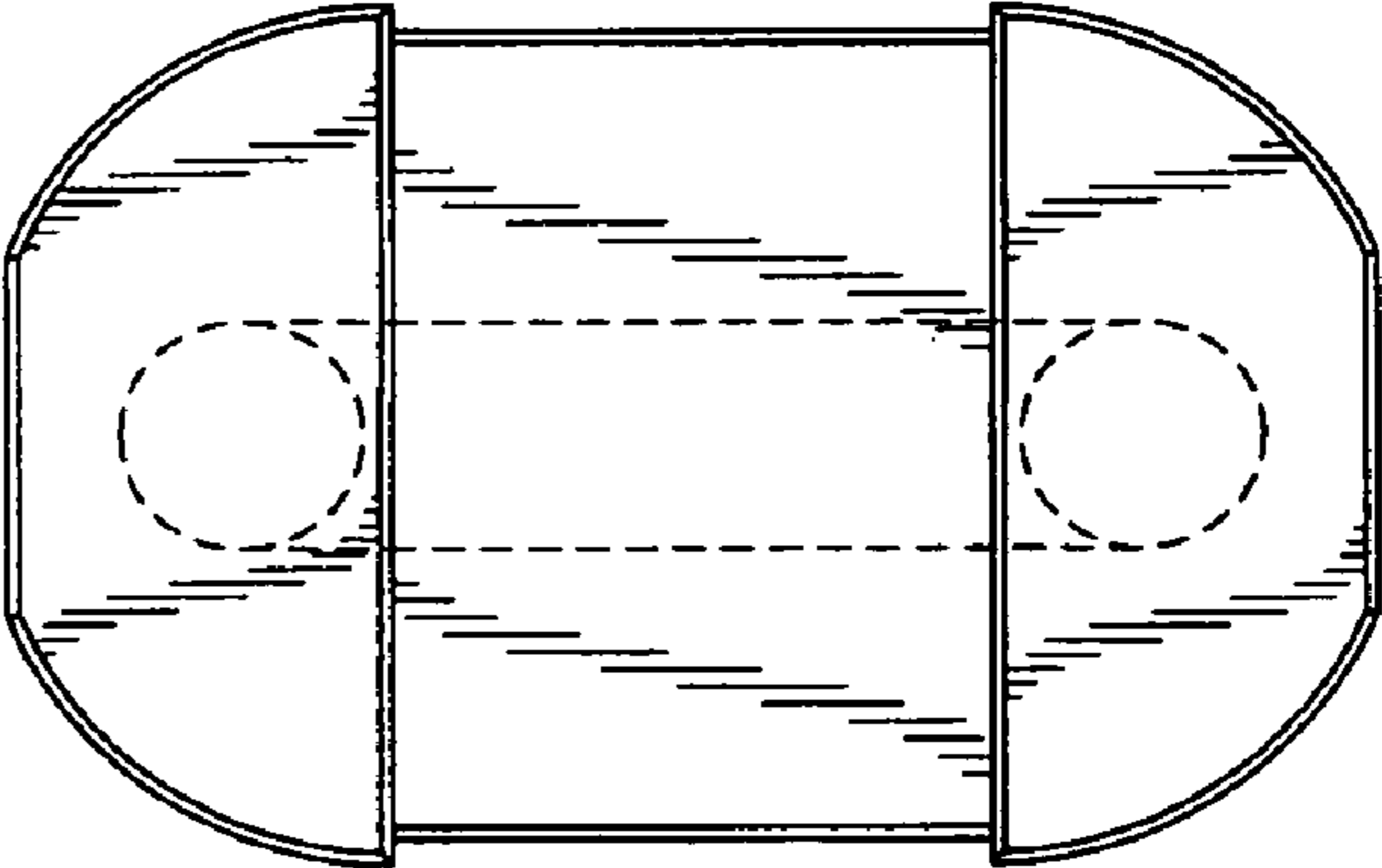


Fig. 4

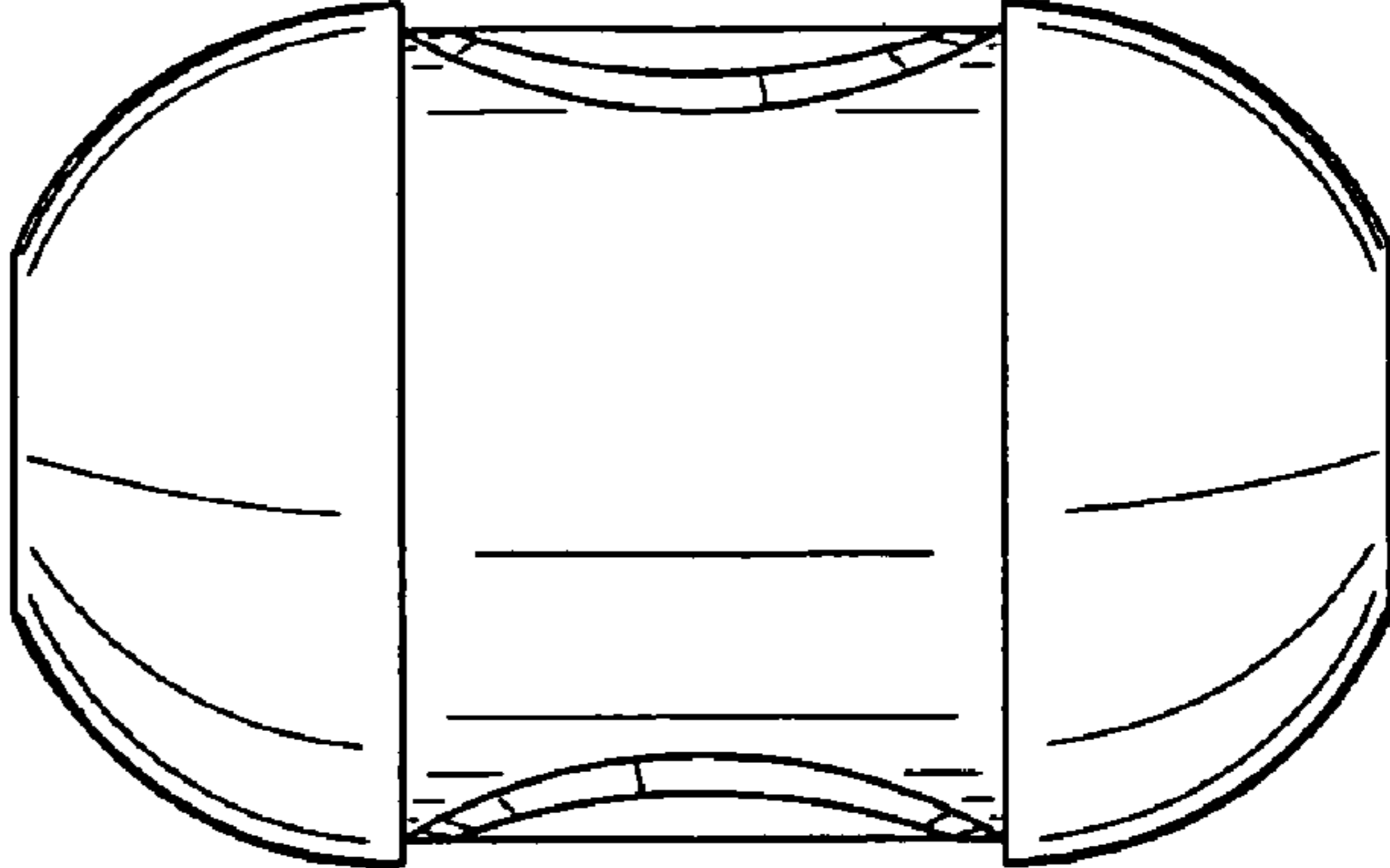


Fig. 5