



US00D587982S

(12) **United States Design Patent**  
**Mattson et al.**

(10) **Patent No.:** **US D587,982 S**  
(45) **Date of Patent:** **\*\* Mar. 10, 2009**

(54) **CABINET HANDLE**

(75) Inventors: **Deborah Mattson**, Plainwell, MI (US);  
**Scott A. Thor**, Grand Rapids, MI (US);  
**Jonathan Lorenz**, Grand Rapids, MI  
(US); **Kevin Dewald**, Spring Lake, MI  
(US)

(73) Assignee: **Belwith Products, LLC**, Grandville, MI  
(US)

(\*\*) Term: **14 Years**

(21) Appl. No.: **29/295,168**

(22) Filed: **Sep. 21, 2007**

**Related U.S. Application Data**

(62) Division of application No. 29/243,793, filed on Nov.  
30, 2005, now Pat. No. Des. 554,968.

(51) **LOC (9) Cl.** ..... **08-06**

(52) **U.S. Cl.** ..... **D8/317**

(58) **Field of Classification Search** ..... D8/300–303,  
D8/305–321, DIG. 1, DIG. 2, DIG. 10; D7/393,  
D7/394; D3/318; D6/549, 524, 533, 550;  
D23/250–254, 303, 305; D15/89; 292/347;  
211/16, 182; 220/752–754; 16/441, 118,  
16/110 R, 111 R, DIG. 19, DIG. 30, 110.1,  
16/412, 414–420, 443–446

See application file for complete search history.

(56) **References Cited**

**U.S. PATENT DOCUMENTS**

D38,939 S \* 12/1907 Bond ..... D8/306  
D60,180 S \* 1/1922 Thompson et al. .... D14/248  
D99,252 S \* 4/1936 Tjaarda ..... D8/317

2,151,182 A \* 3/1939 Birdsall ..... 16/444  
D175,751 S \* 10/1955 Aleks ..... D8/317  
D246,152 S \* 10/1977 Luoma ..... D8/1  
D402,530 S \* 12/1998 Simons et al. .... D8/317  
D431,444 S \* 10/2000 Short ..... D8/316  
D451,782 S \* 12/2001 Dewald ..... D8/317  
D455,823 S \* 4/2002 Zetsche ..... D23/304  
D542,118 S \* 5/2007 Fields ..... D8/317

\* cited by examiner

*Primary Examiner*—Stella M Reid

*Assistant Examiner*—Mark A Goodwin

(74) *Attorney, Agent, or Firm*—Perman & Green, LLP

(57) **CLAIM**

The ornamental design for a cabinet handle, as shown and described.

**DESCRIPTION**

FIG. 1 is a top front perspective view of a first embodiment of a cabinet handle showing our new design;

FIG. 2 is a top view thereof;

FIG. 3 is a front view thereof;

FIG. 4 is a side view thereof;

FIG. 5 is a sectional view taken along the lines 5—5 shown in FIG. 2;

FIG. 6 is a top front perspective view of a second embodiment of a cabinet handle showing our new design;

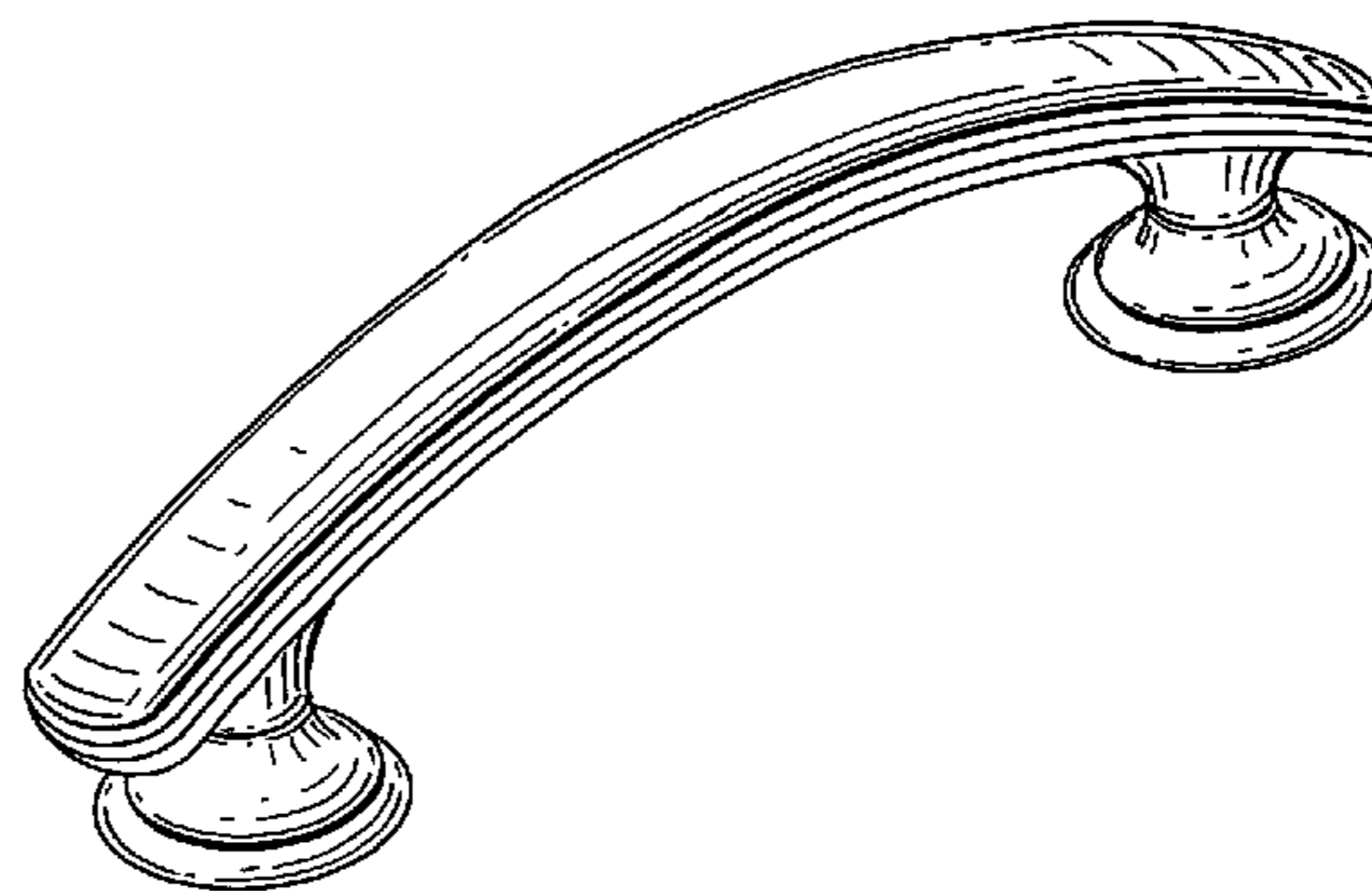
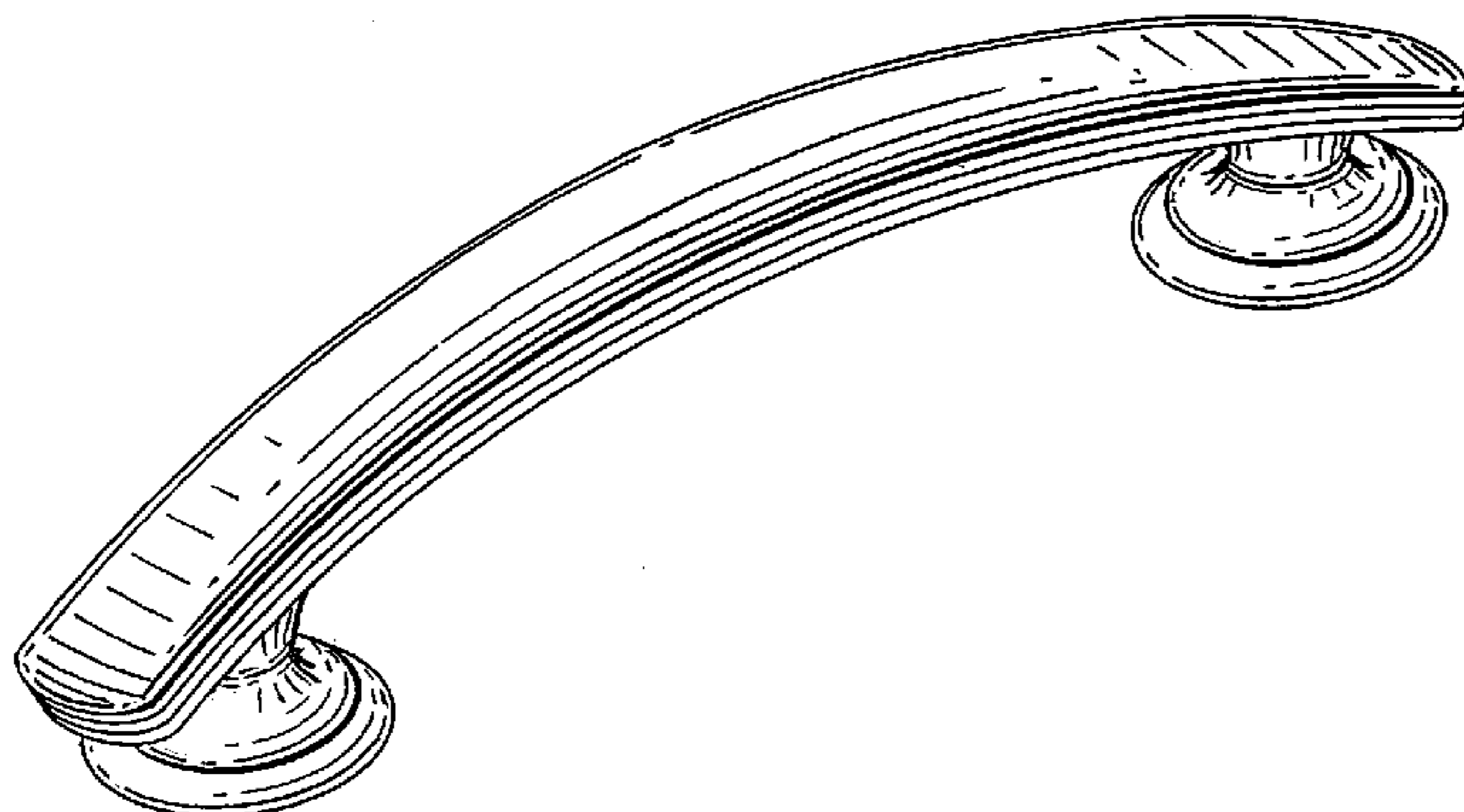
FIG. 7 is a top view thereof;

FIG. 8 is a front view thereof;

FIG. 9 is a side view thereof; and,

FIG. 10 is a sectional view thereof taken along lines 10—10 shown in FIG. 7.

**1 Claim, 4 Drawing Sheets**



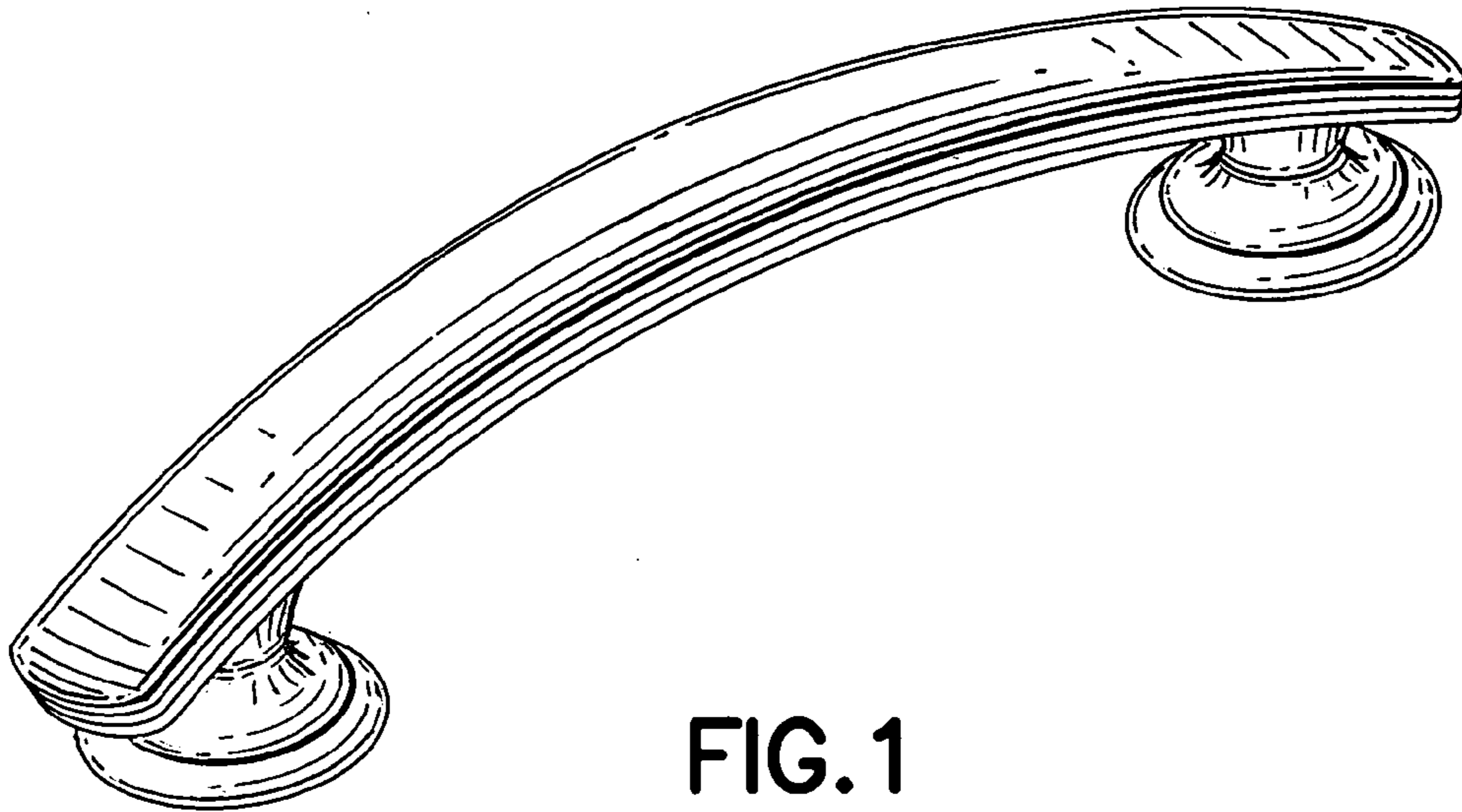


FIG. 1

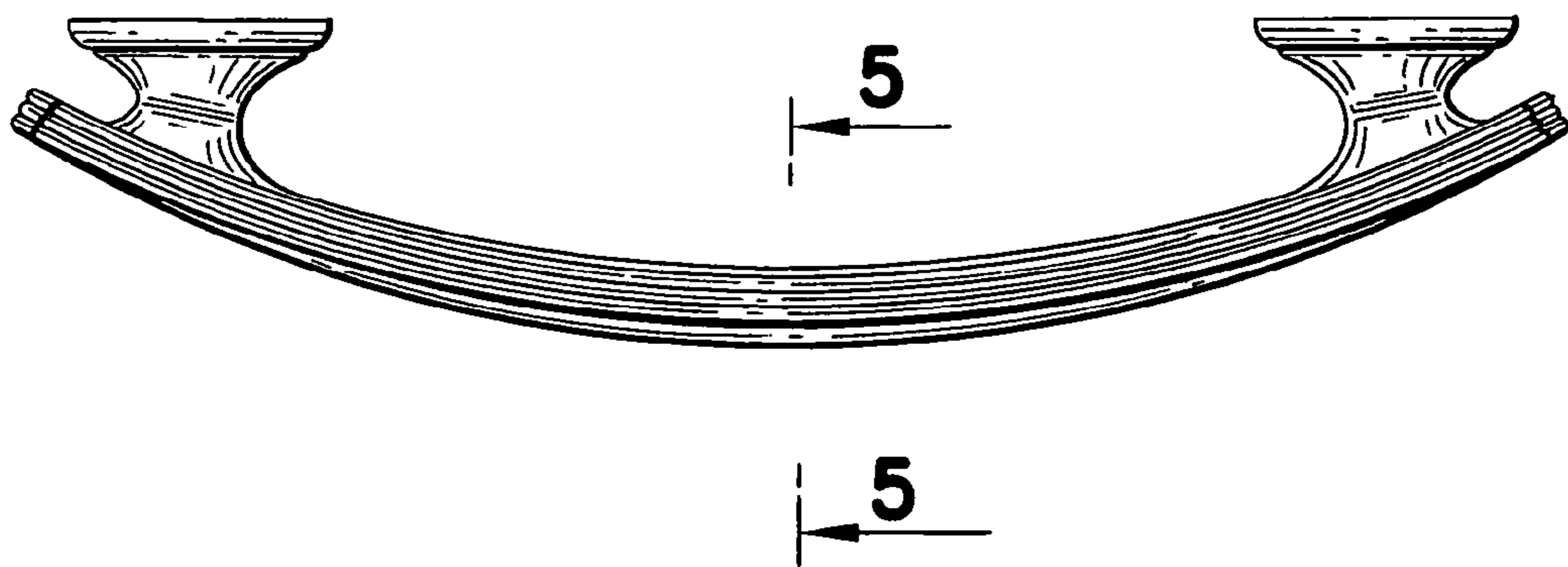


FIG. 2

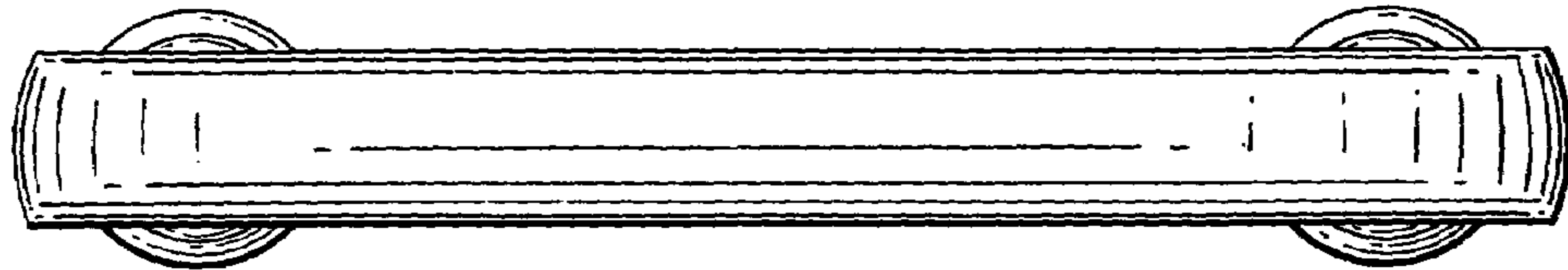


FIG. 3

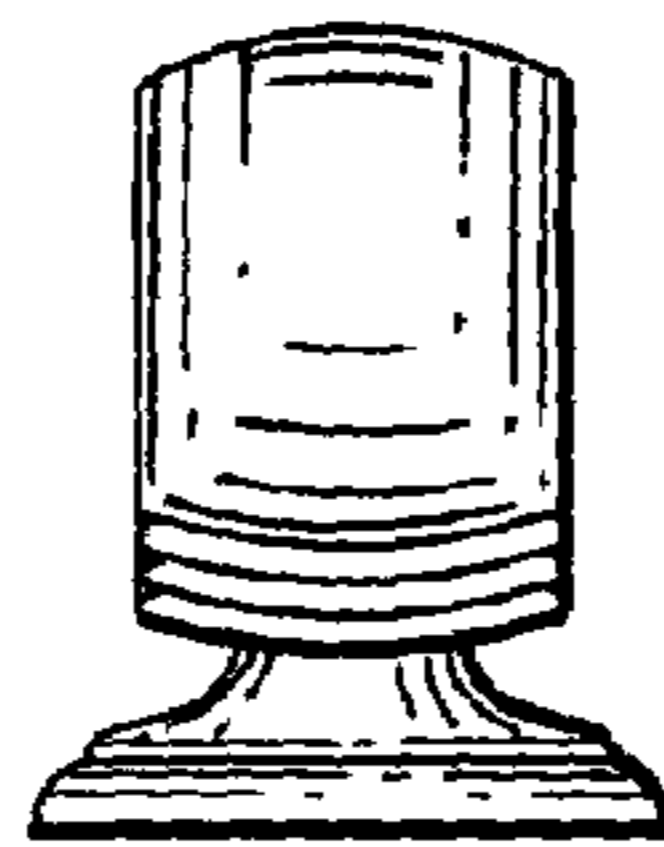


FIG. 4



FIG. 5

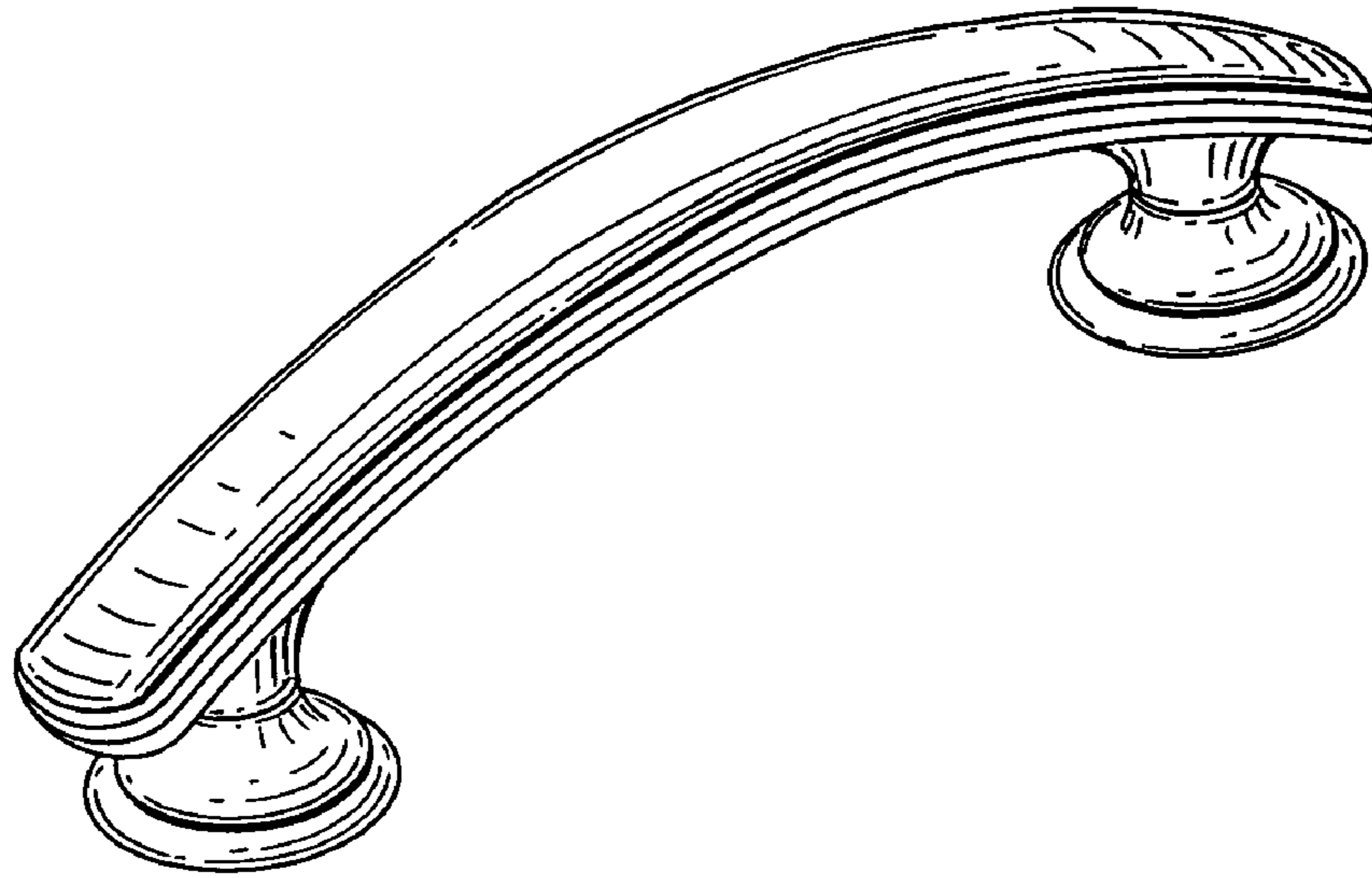


FIG. 6

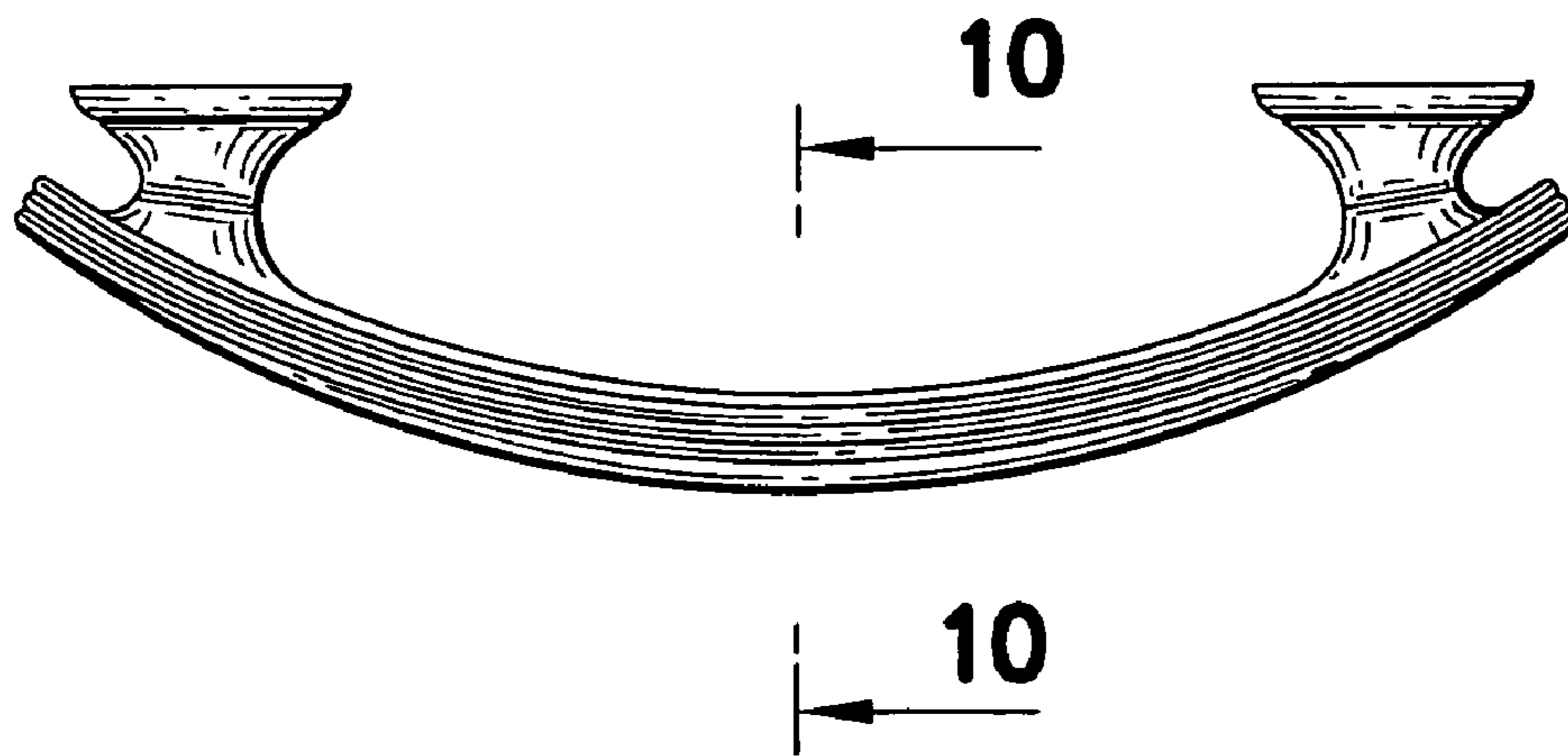


FIG. 7

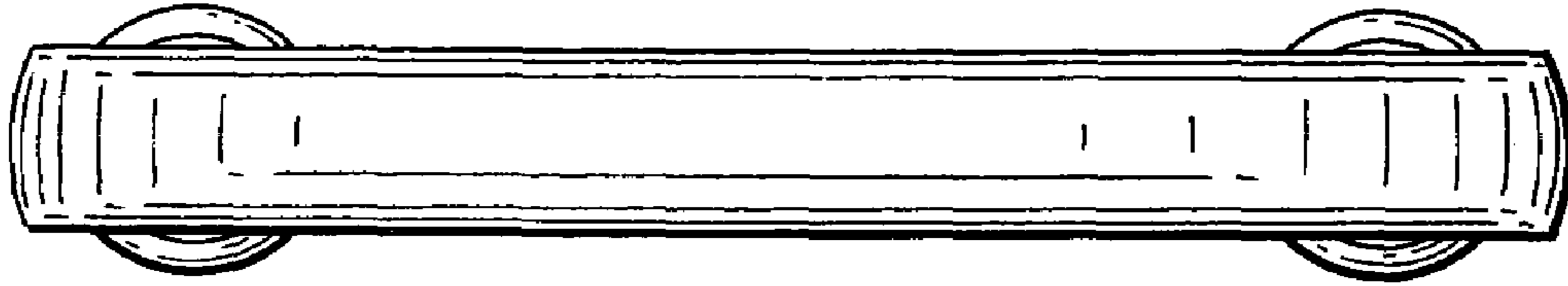


FIG. 8

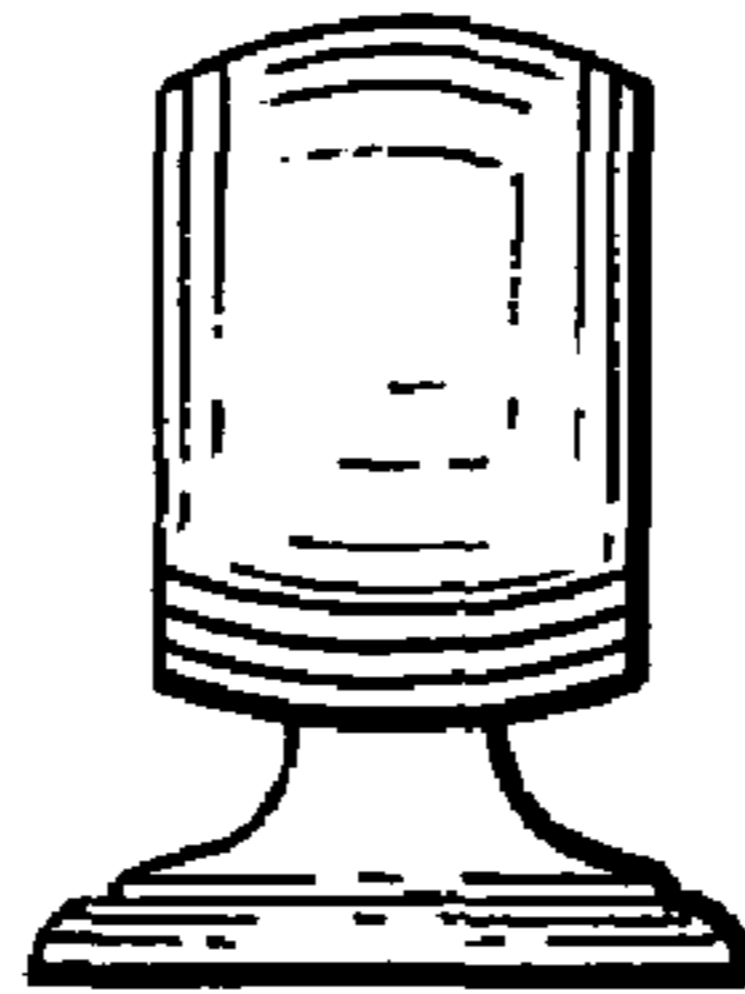


FIG. 9



FIG. 10