



US00D587978S

(12) **United States Design Patent**
Aglassinger

(10) **Patent No.:** **US D587,978 S**
(45) **Date of Patent:** **** Mar. 10, 2009**

(54) **RIGHT ANGLE ATTACHMENT FOR ROTARY TOOL**

(75) Inventor: **Hans-Peter Aglassinger**, Esslingen (DE)

(73) Assignee: **Robert Bosch GmbH**, Stuttgart (DE)

(**) Term: **14 Years**

(21) Appl. No.: **29/295,071**

(22) Filed: **Sep. 21, 2007**

(30) **Foreign Application Priority Data**

Mar. 28, 2007 (EM) 000697727

(51) **LOC (9) Cl.** **08-05**

(52) **U.S. Cl.** **D8/70**

(58) **Field of Classification Search** D8/14.1,
D8/61, 62, 63, 64, 65, 66, 67, 68, 69, 70;
81/57.11, 429, 454, 455, 456, 469, 489; 173/13,
173/104, 114, 168, 169, 170, 171, 178, 201,
173/211, 213, 217; 408/20, 124, 125, 234,
408/241 R; 451/358; 310/50; 227/8, 113,
227/114, 120, 130, 136, 142; D15/138, 140
See application file for complete search history.

(56) **References Cited**

U.S. PATENT DOCUMENTS

2,155,082 A * 4/1939 Decker 408/124
D162,877 S * 4/1951 Price et al. D8/70
4,751,970 A * 6/1988 Hecker et al. 173/104
D439,124 S * 3/2001 Duennes D8/70
D513,160 S * 12/2005 DeBoer et al. D8/68

D513,692 S * 1/2006 Baker et al. D8/70
D516,889 S * 3/2006 Aglassinger D8/68
D524,133 S * 7/2006 Wu D8/68
7,077,736 B2 * 7/2006 Uzumcu et al. 451/358
D531,872 S * 11/2006 Aglassinger D8/68
7,134,364 B2 * 11/2006 Kageler et al. 173/217
2001/0031179 A1 * 10/2001 Potter et al. 408/199
2008/0003070 A1 * 1/2008 Hor 408/124

* cited by examiner

Primary Examiner—T. Chase Nelson

Assistant Examiner—Karen Acker

(74) *Attorney, Agent, or Firm*—Victor A. Henzi

(57) **CLAIM**

The ornamental design for the right angle attachment for rotary tool, as shown and described.

DESCRIPTION

FIG. 1 is a front, left, and top perspective view of the right angle attachment for rotary tool;

FIG. 2 is a top plan view thereof;

FIG. 3 is a bottom plan view thereof;

FIG. 4 is a left elevational view thereof;

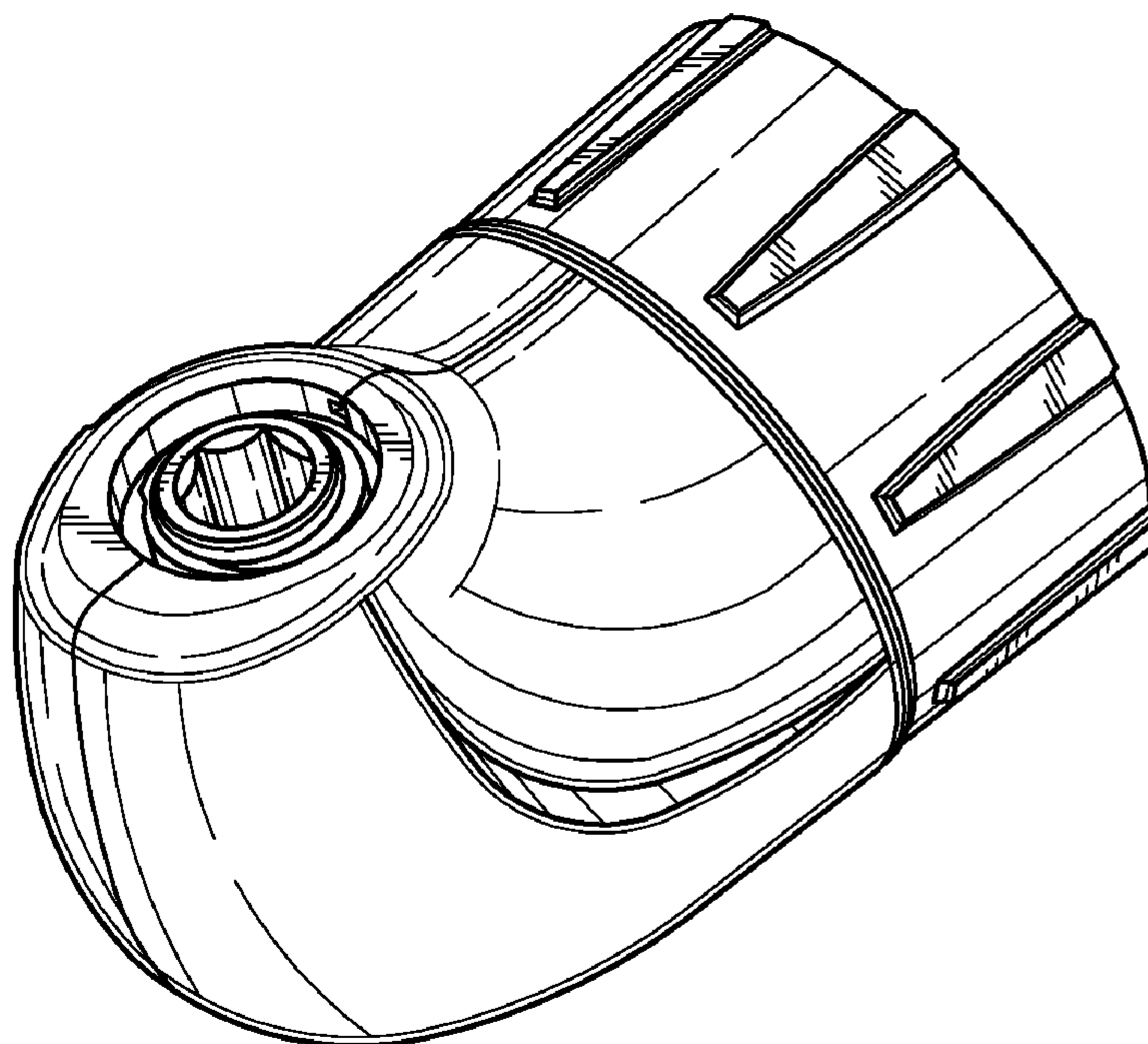
FIG. 5 is a right elevational view thereof;

FIG. 6 is a rear elevational view thereof; and,

FIG. 7 is a front elevational view thereof.

The broken lines depict portions of the design that are not claimed. The broken lines and structures they depict form no part of the claimed design.

1 Claim, 4 Drawing Sheets



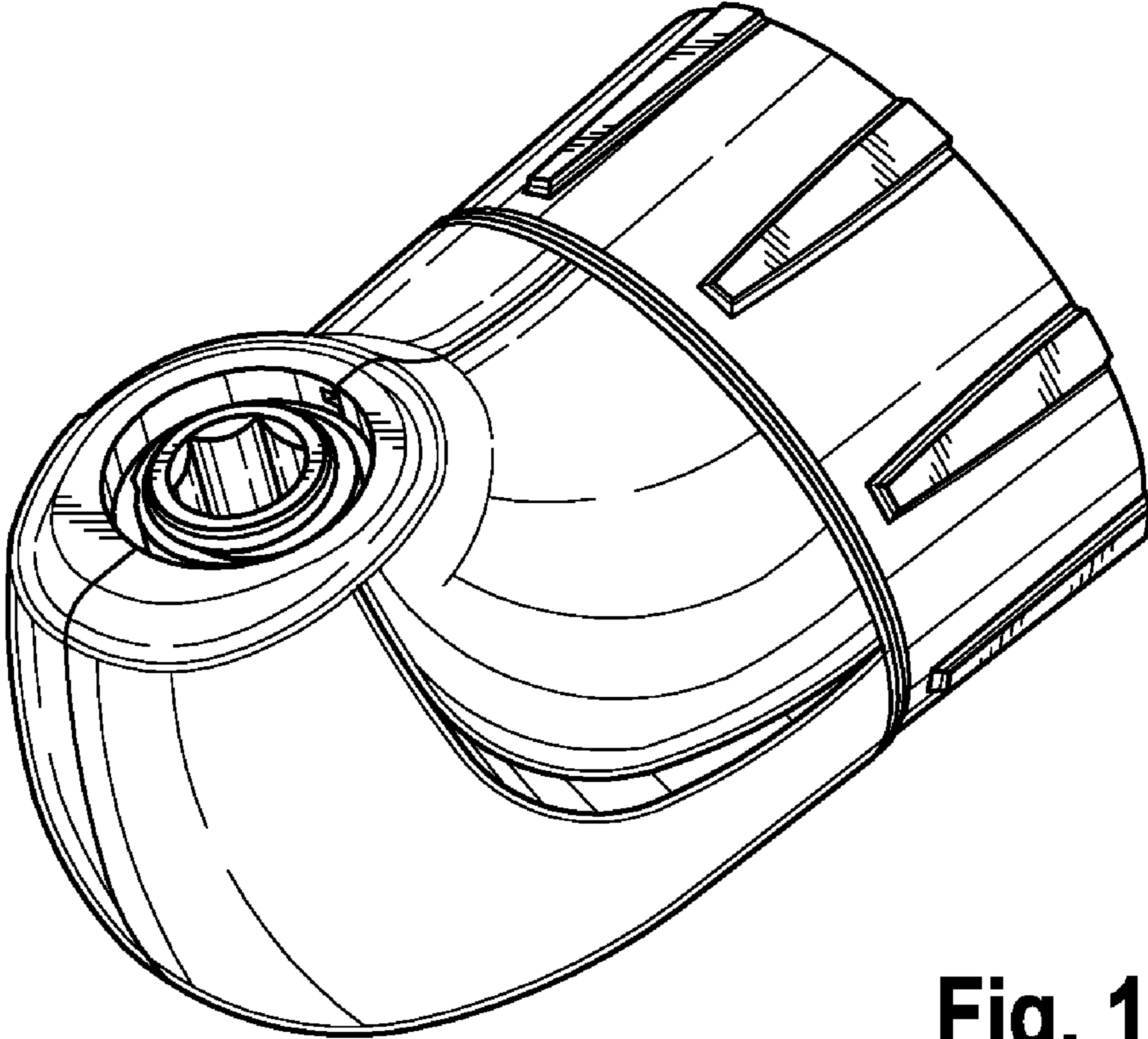


Fig. 1

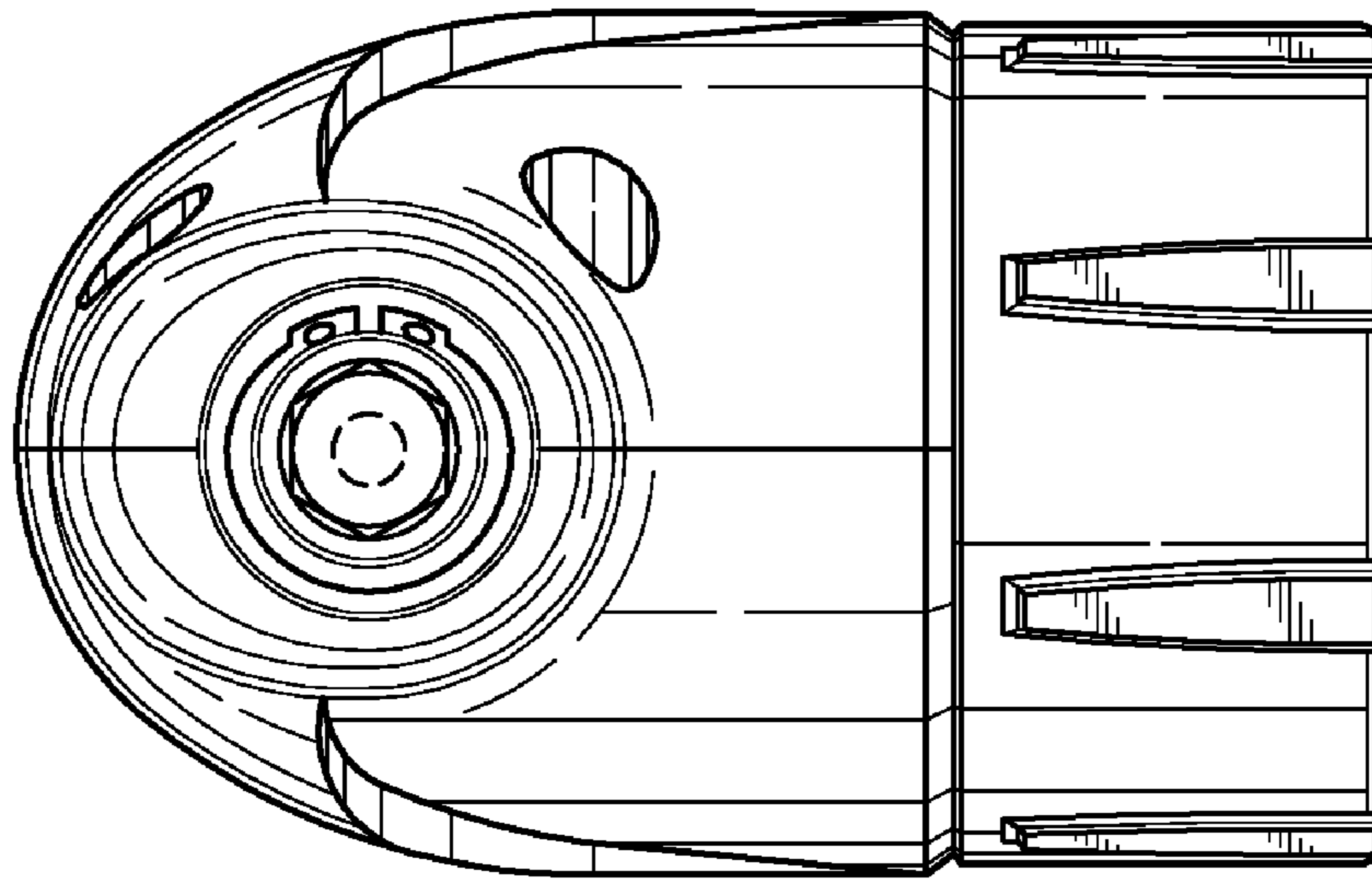


Fig. 2

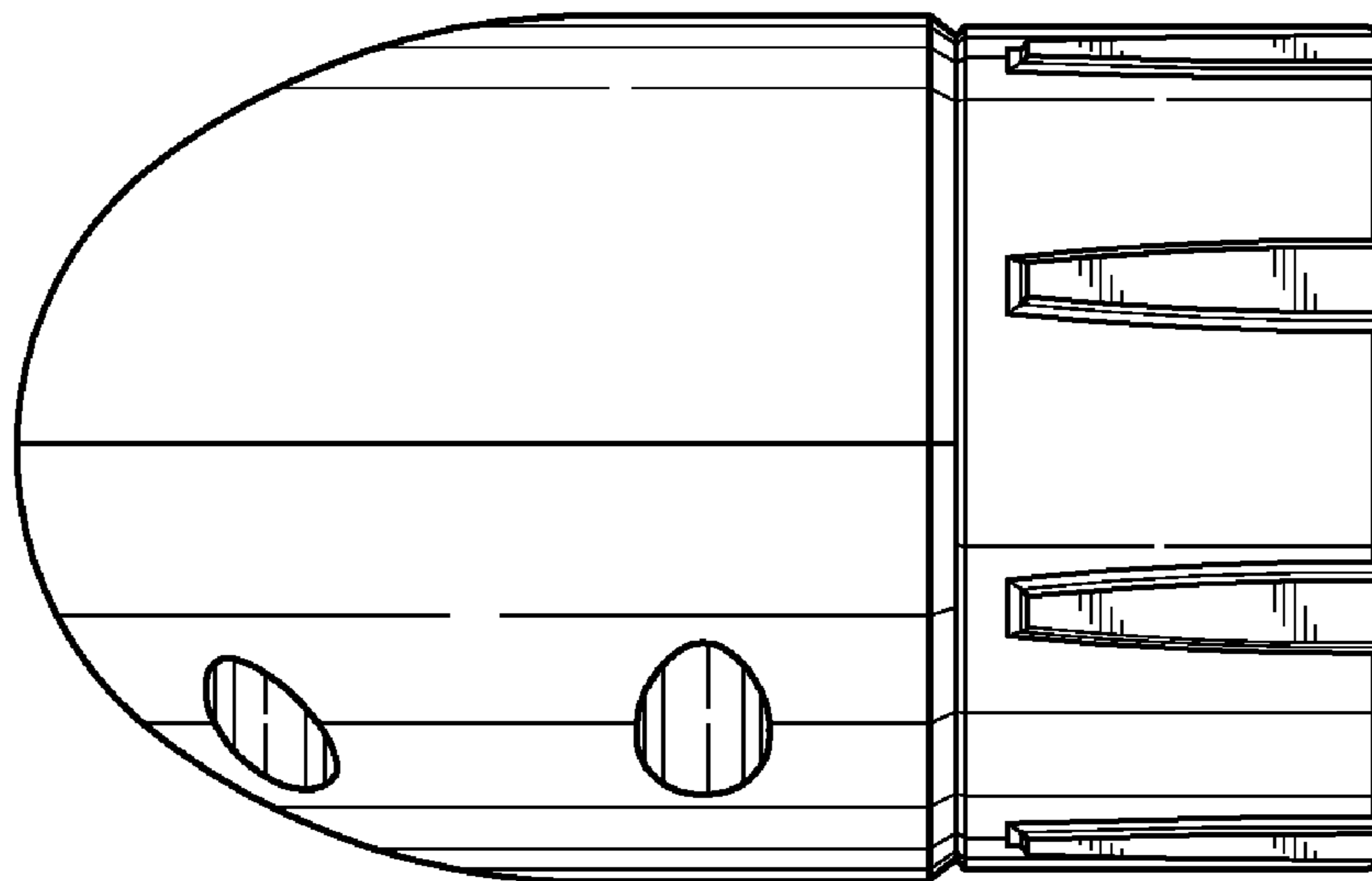


Fig. 3

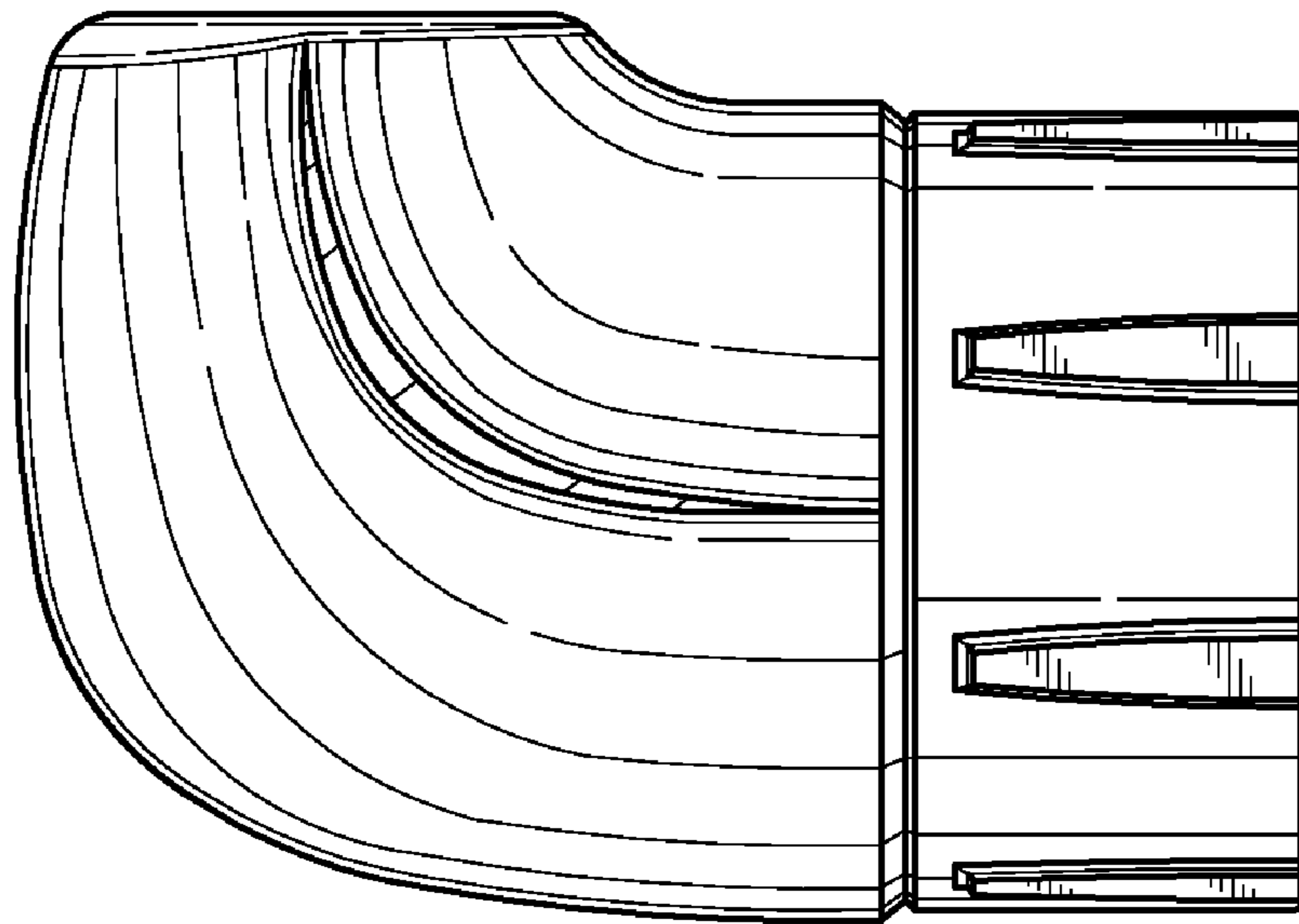


Fig. 4

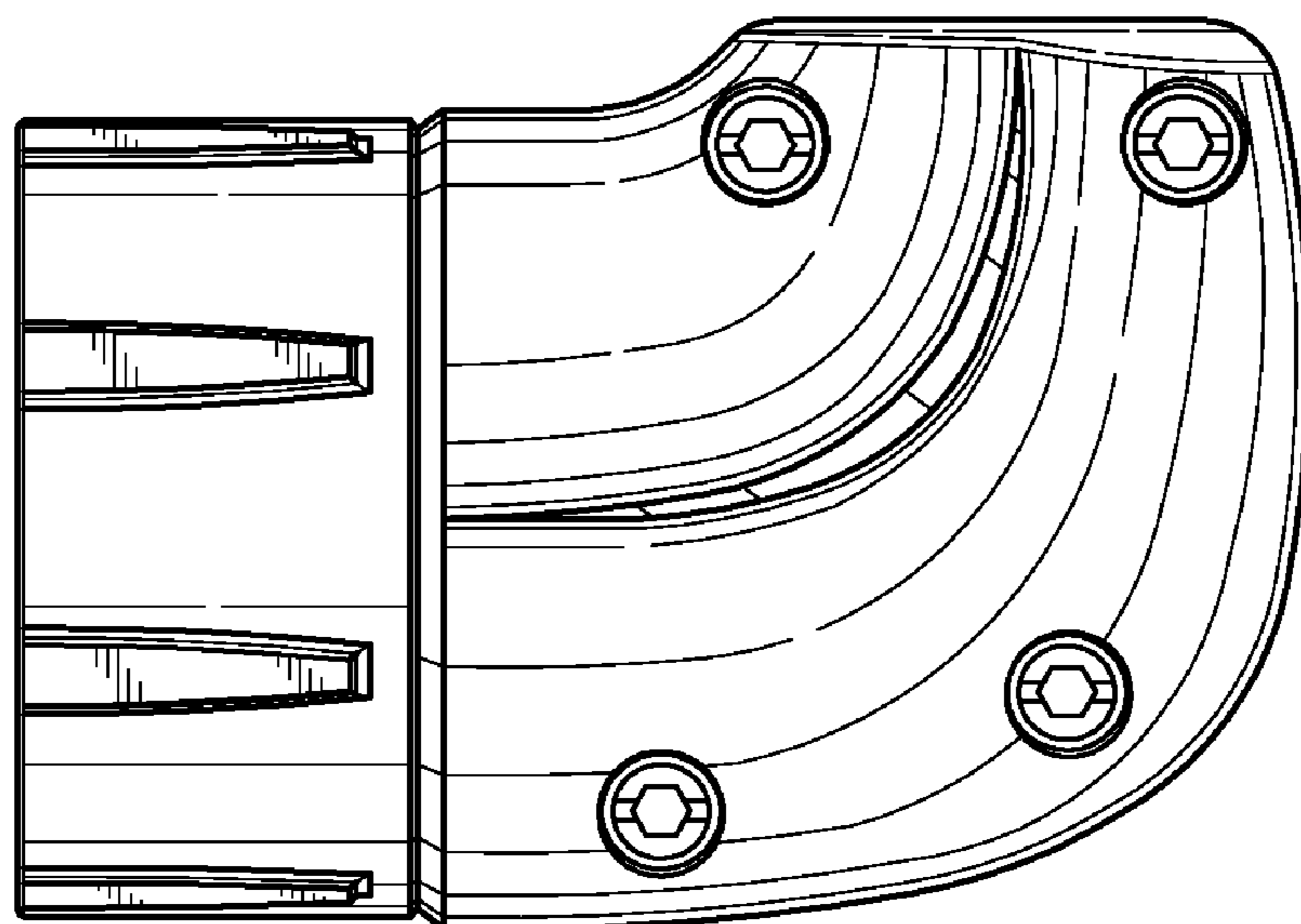


Fig. 5

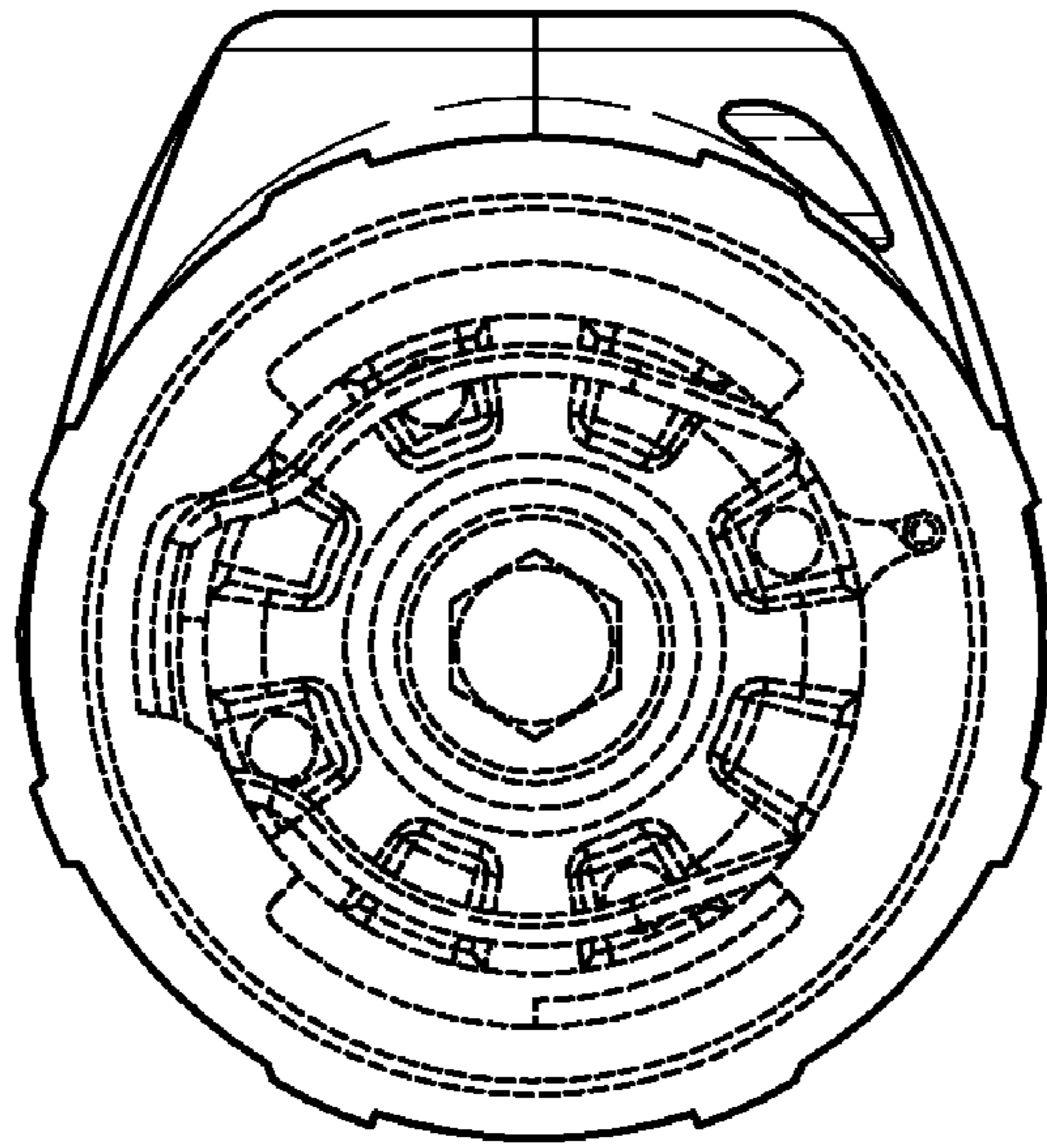


Fig. 6

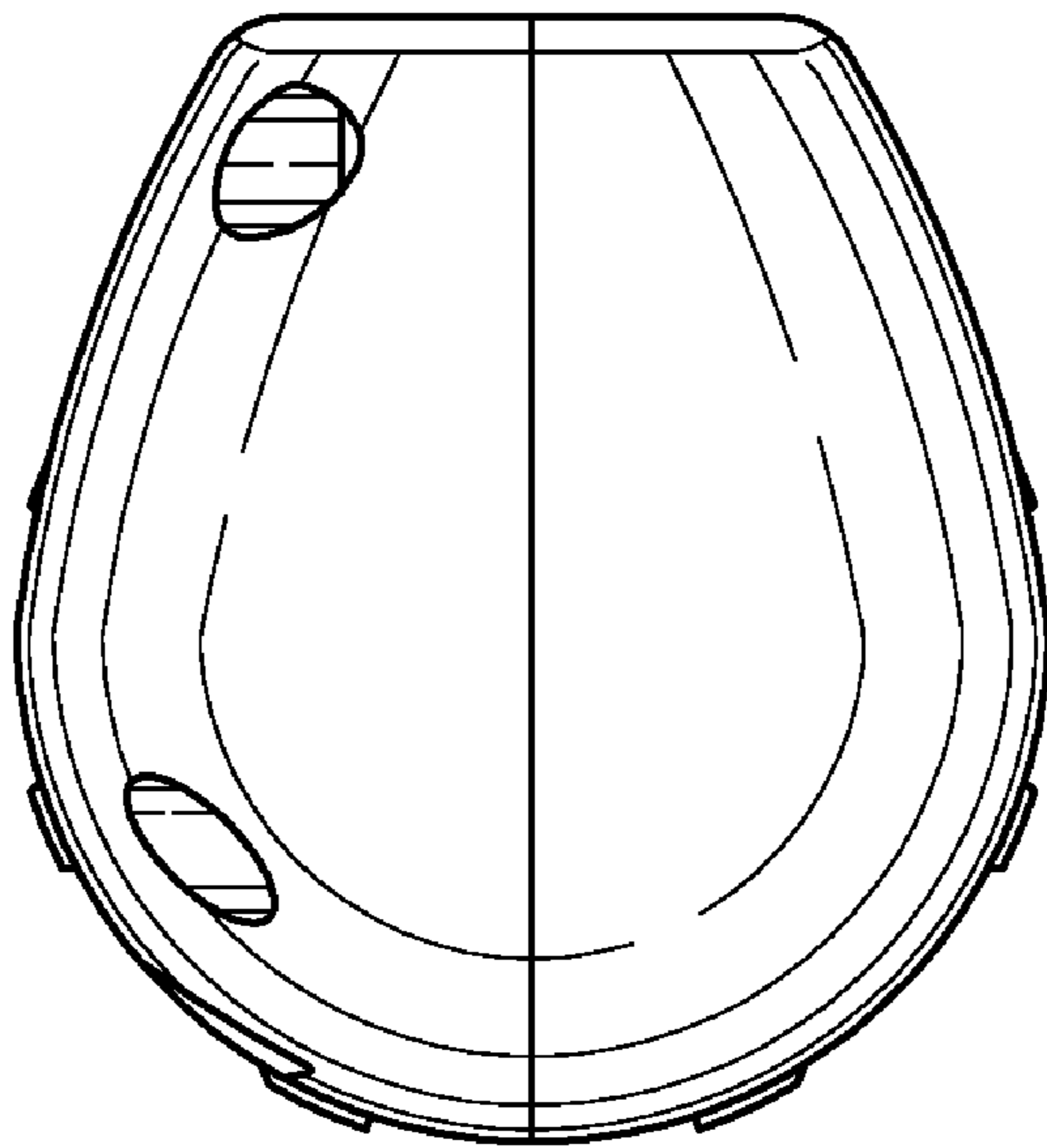


Fig. 7