



US00D587977S

(12) **United States Design Patent**  
**Waldron**

(10) **Patent No.:** **US D587,977 S**  
(45) **Date of Patent:** **\*\* Mar. 10, 2009**

(54) **BASE FOR A ROUTER POWER TOOL**

(75) Inventor: **Michael Waldron**, York (GB)

(73) Assignee: **GMCA Pty Ltd**, Victoria (AU)

(\*\*) Term: **14 Years**

(21) Appl. No.: **29/272,874**

(22) Filed: **Feb. 20, 2007**

(51) **LOC (9) Cl.** ..... **08-01**

(52) **U.S. Cl.** ..... **D8/67**

(58) **Field of Classification Search** ..... D8/61,  
D8/67, 70, 107; 409/182, 180, 134, 132,  
409/131; 144/48.6, 252.1, 154.5, 136.95  
See application file for complete search history.

(56) **References Cited**

**U.S. PATENT DOCUMENTS**

5,062,460	A *	11/1991	DeLine	.....	144/136.95
5,913,645	A *	6/1999	Coffey	.....	409/182
D487,009	S *	2/2004	Hessenberger et al.	.....	D8/67
D495,226	S *	8/2004	Grant et al.	.....	D8/61
2003/0044251	A1 *	3/2003	Lagaly et al.	.....	409/182
2003/0188441	A1 *	10/2003	Patton	.....	30/381
2005/0081954	A1 *	4/2005	Wielechowski	.....	144/136.95
2005/0189039	A1 *	9/2005	McDonald et al.	.....	144/136.95
2006/0032553	A1 *	2/2006	Williams	.....	144/154.5
2006/0067801	A1 *	3/2006	Van Bergen	.....	409/182
2006/0086417	A1 *	4/2006	Griffin et al.	.....	144/136.95

2006/0102248 A1\* 5/2006 Cooper et al. .... 144/136.95

\* cited by examiner

*Primary Examiner*—Cathron C Brooks

*Assistant Examiner*—Austin Murphy

(74) *Attorney, Agent, or Firm*—Head, Johnson & Kachigian

(57) **CLAIM**

The ornamental design for a base for a router power tool, as shown and described.

**DESCRIPTION**

FIG. 1 is a bottom view of the base for a router power tool of the present invention;

FIG. 2 is a top view of the base for a router power tool of the present invention;

FIG. 3 is a front view of the base for a router power tool of the present invention;

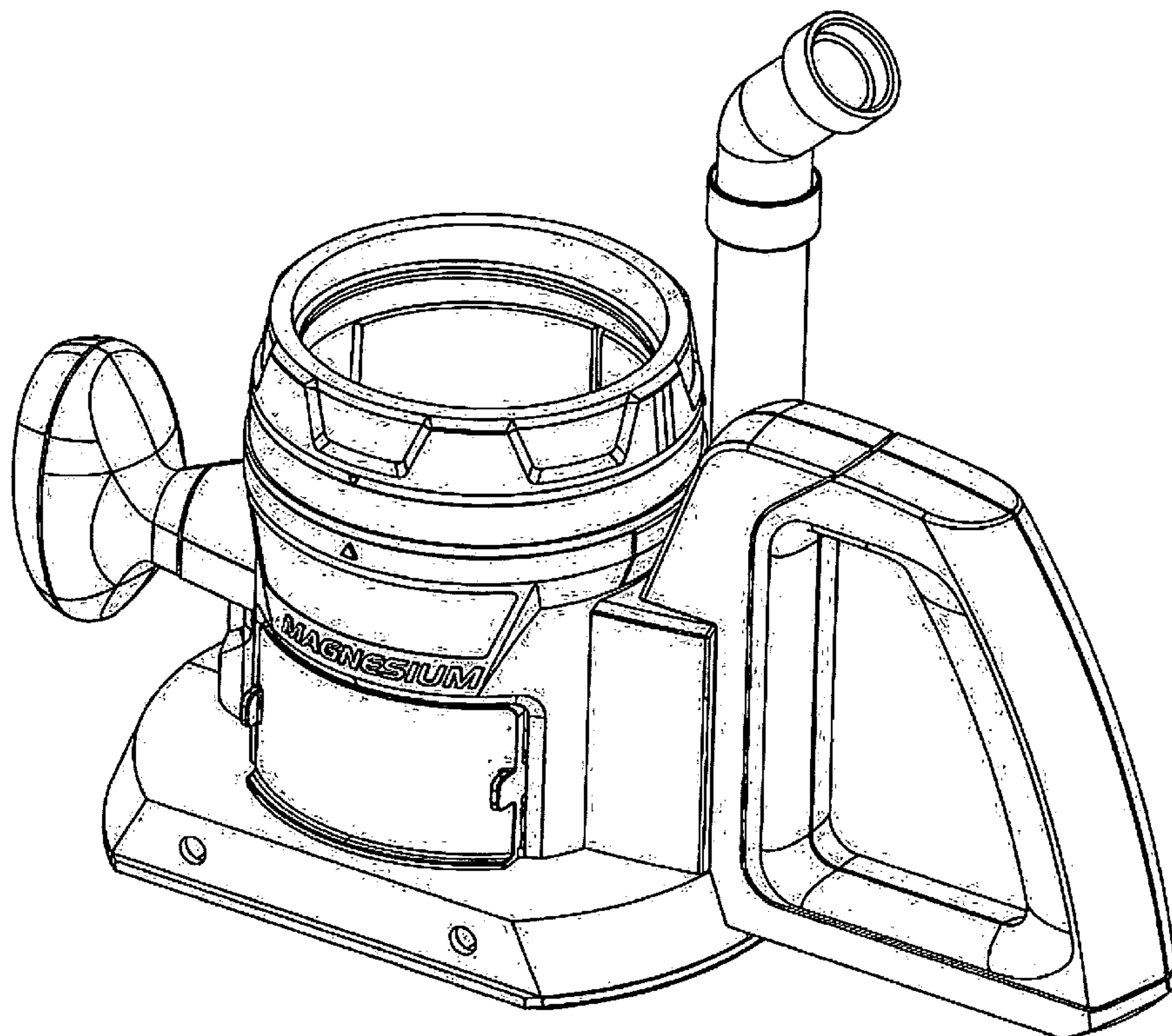
FIG. 4 is a rear view of the base for a router power tool of the present invention;

FIG. 5 is a right view of the base for a router power tool of the present invention;

FIG. 6 is a left view of the base for a router power tool of the present invention; and,

FIG. 7 is a right perceptive view of the base for a router power tool of the present invention.

**1 Claim, 4 Drawing Sheets**



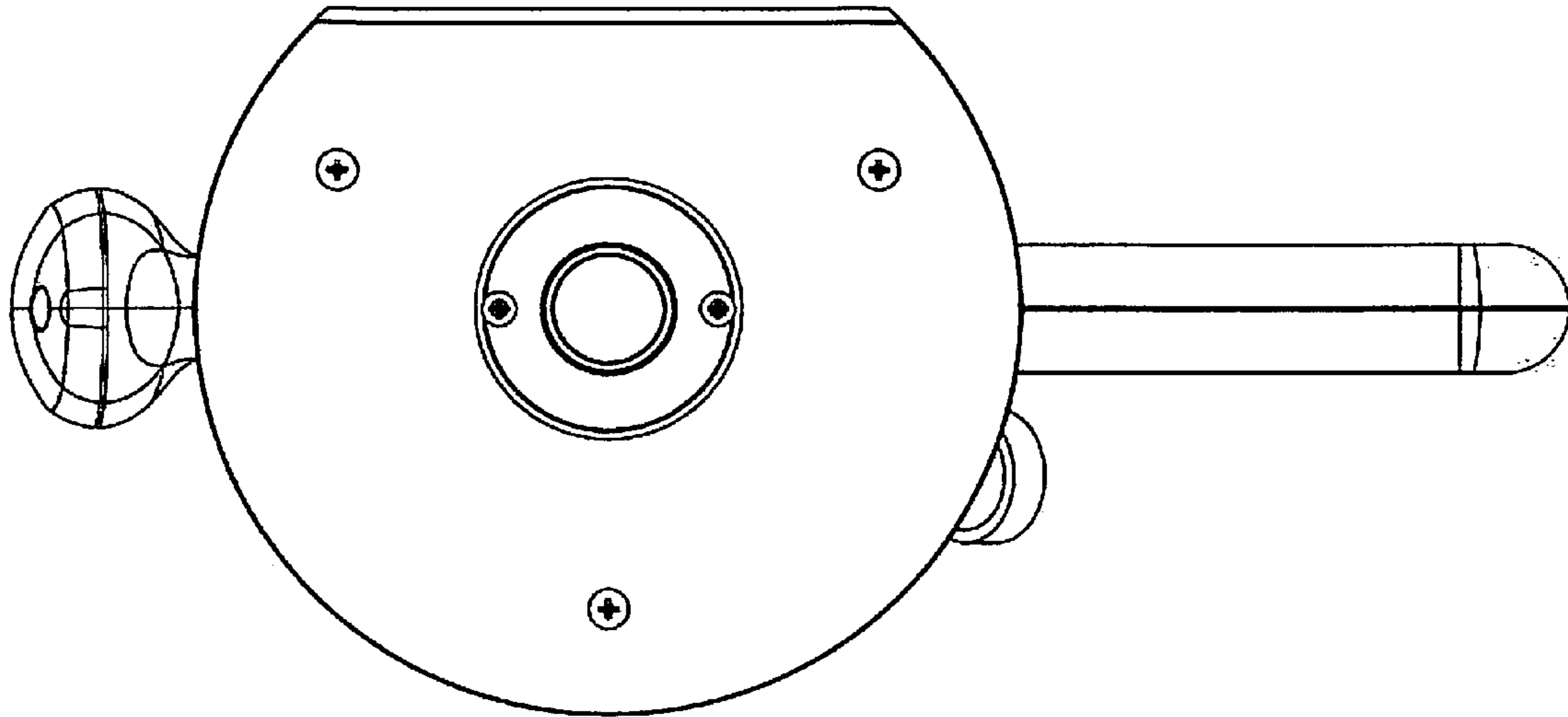


FIGURE 1

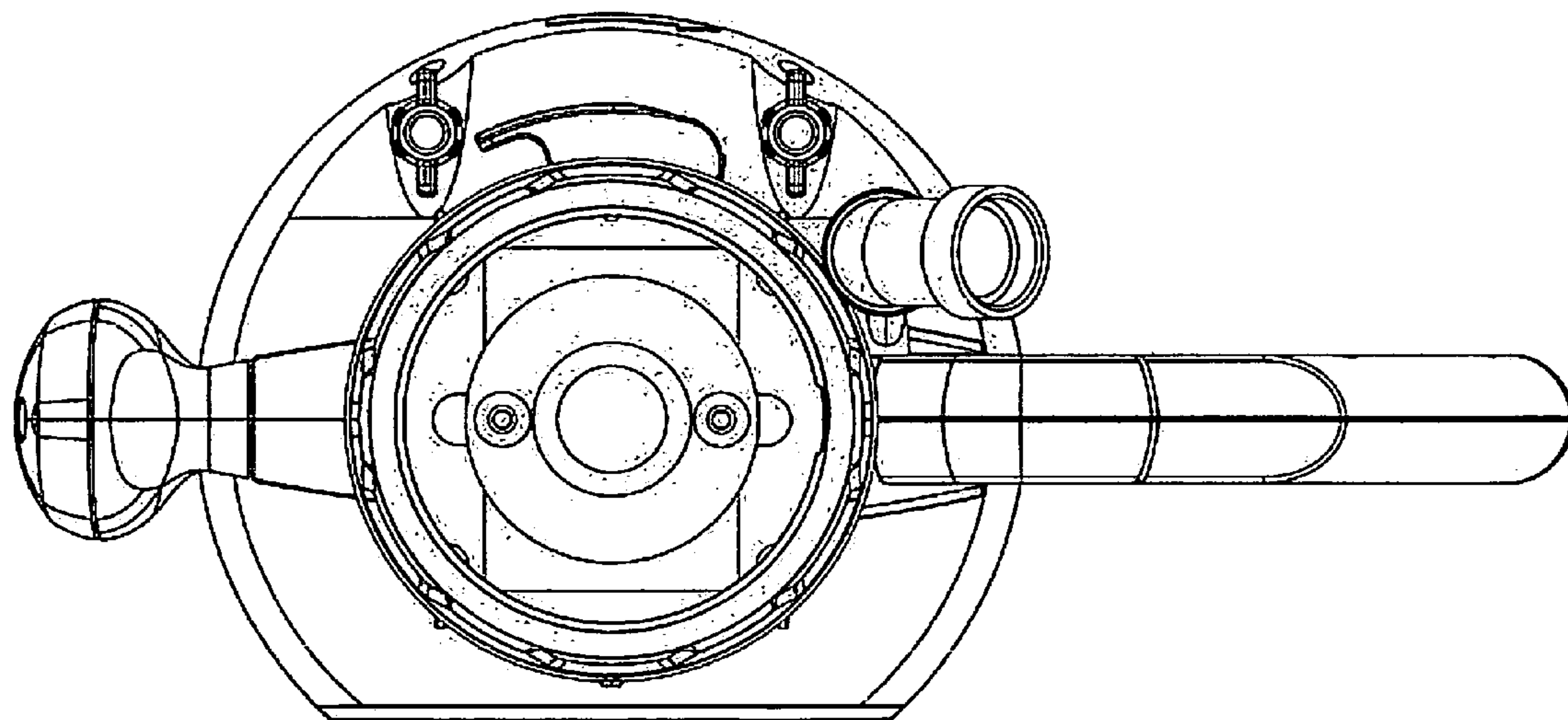


FIGURE 2

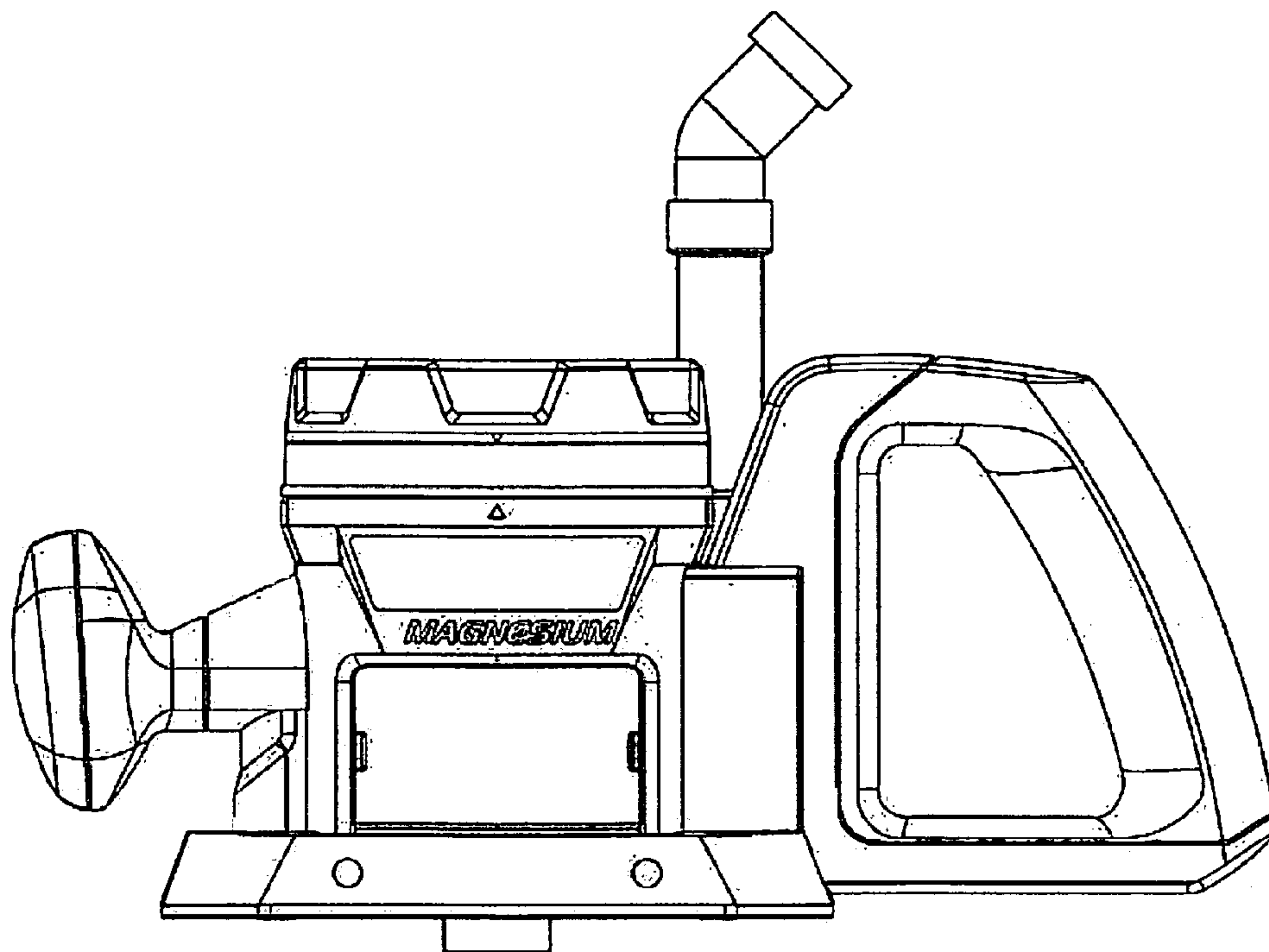


FIGURE 3

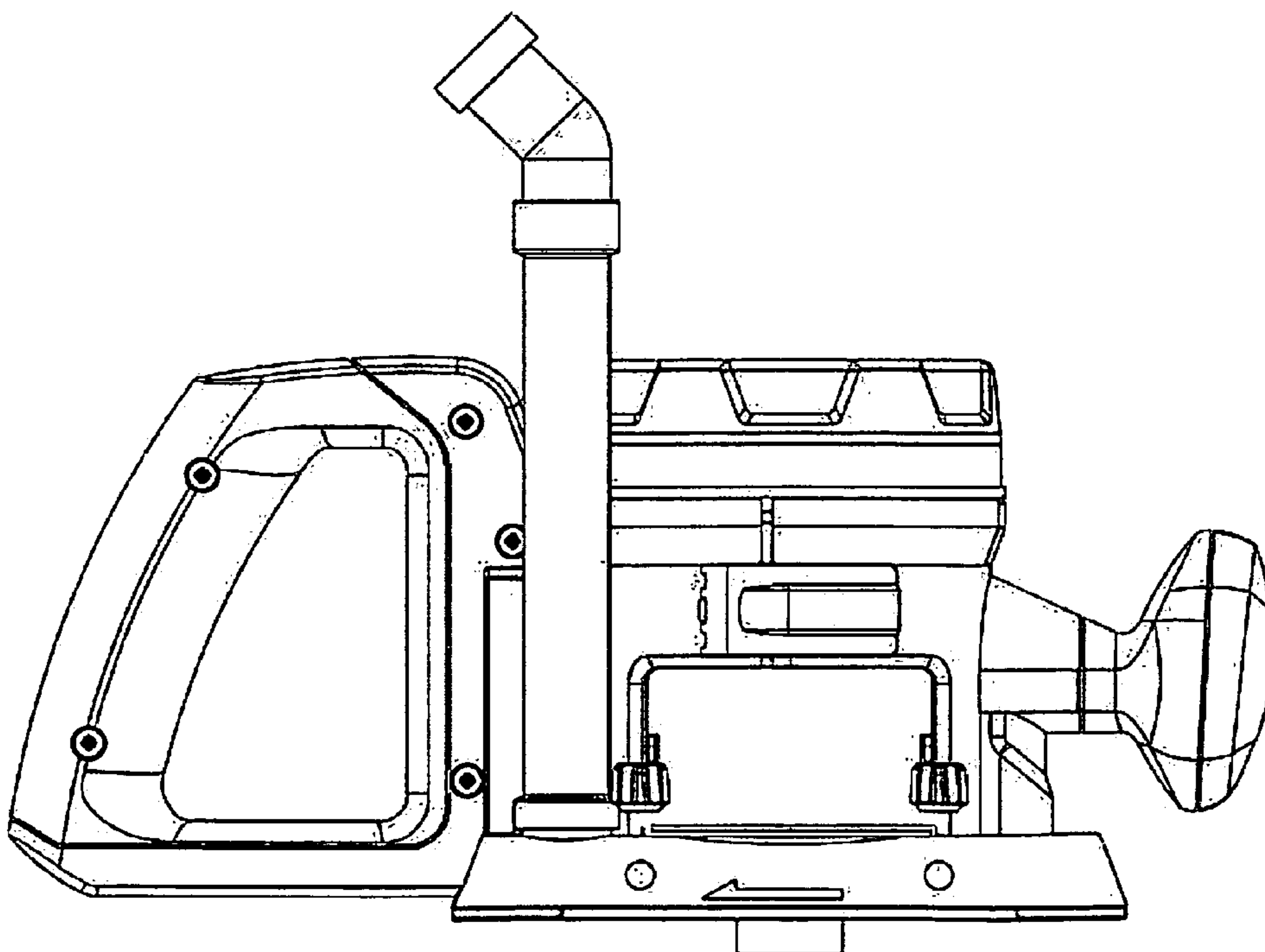


FIGURE 4

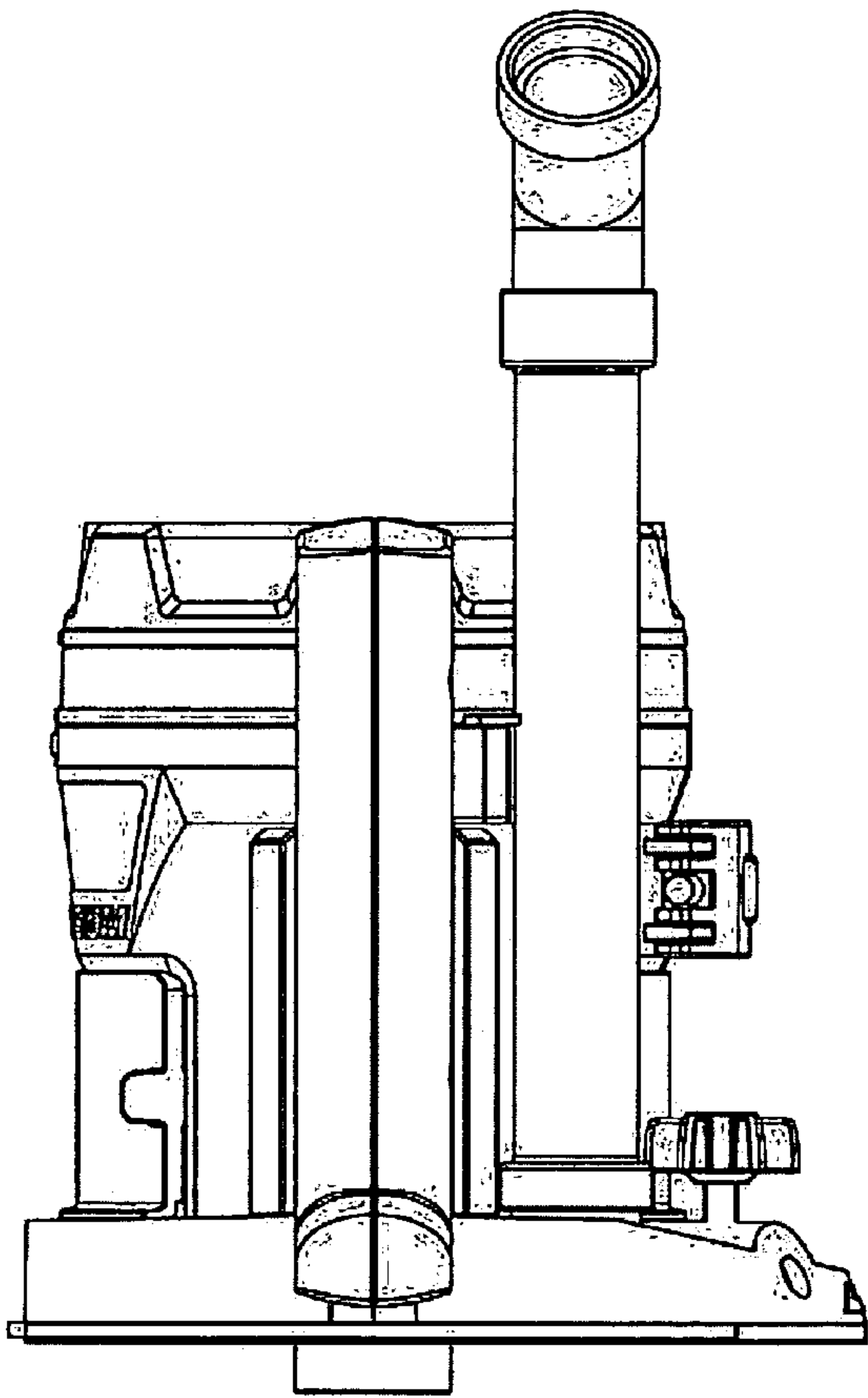


FIGURE 5

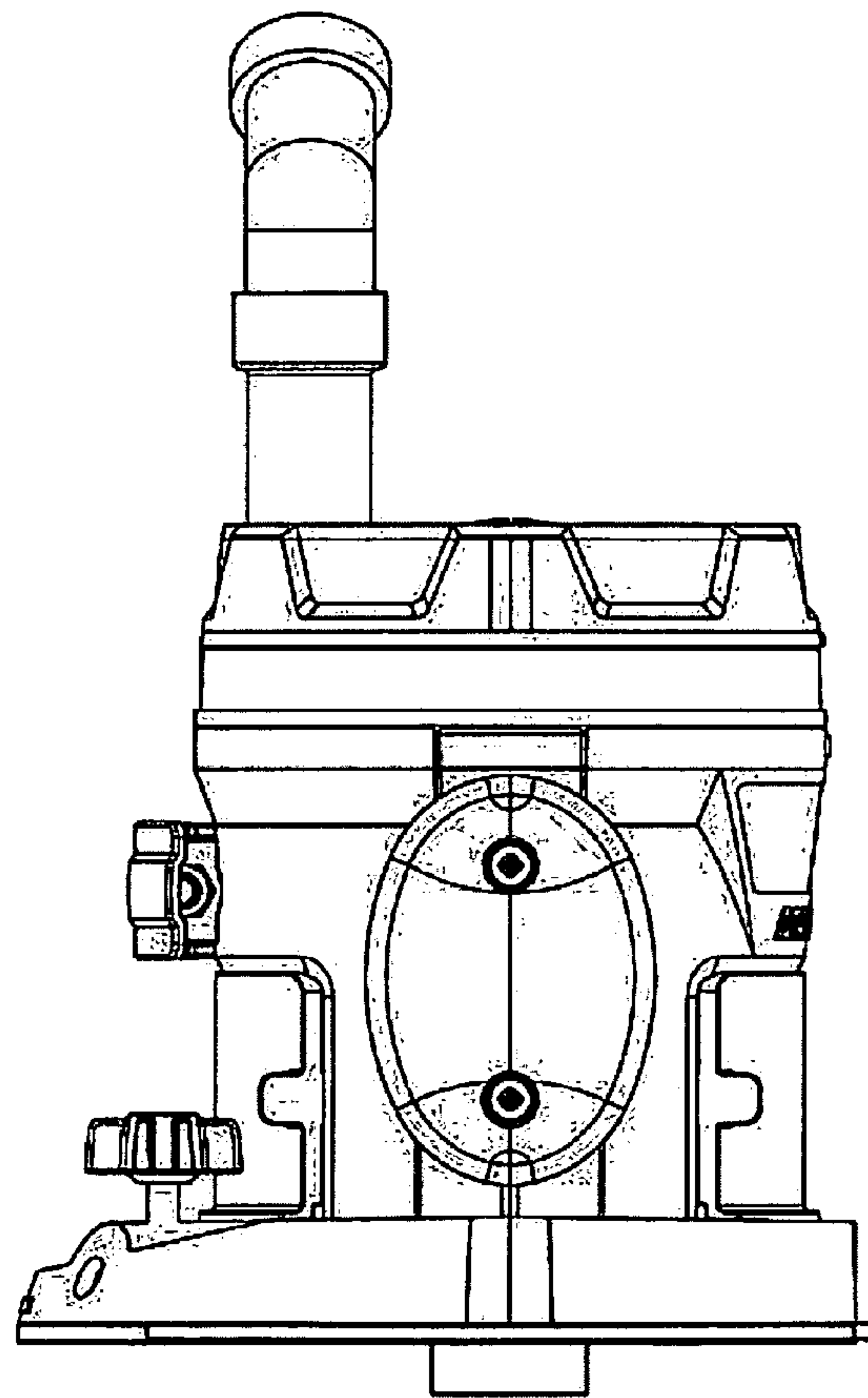


FIGURE 6



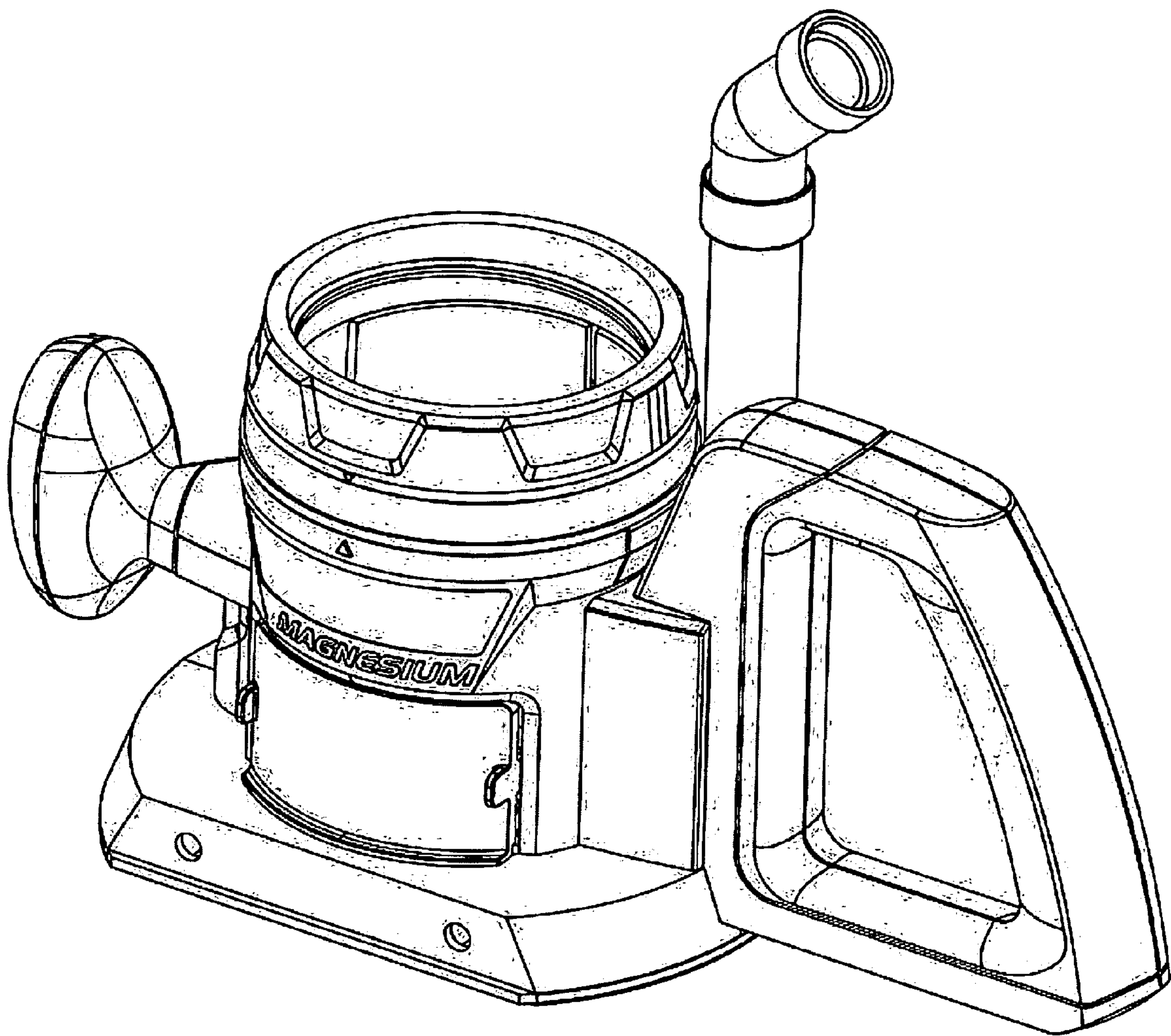


FIGURE 7