



US00D587975S

(12) **United States Design Patent**
Aronson, II et al.

(10) **Patent No.:** **US D587,975 S**

(45) **Date of Patent:** **** Mar. 10, 2009**

(54) **TORCH**

(75) Inventors: **Louis V. Aronson, II**, Oldwick, NJ (US);
Adam Grabicki, Parsippany, NJ (US)

(73) Assignee: **Ronson Corporation**, Woodbridge, NJ
(US)

(**) Term: **14 Years**

(21) Appl. No.: **29/292,454**

(22) Filed: **Oct. 11, 2007**

(51) **LOC (9) Cl.** **08-05**

(52) **U.S. Cl.** **D8/29.1; D8/30; D15/144**

(58) **Field of Classification Search** D8/29.1,
D8/29.2, 30; D15/144, 144.2; 431/153,
431/255, 266, 344, 345, 353

See application file for complete search history.

(56) **References Cited**

U.S. PATENT DOCUMENTS

3,574,506	A *	4/1971	Locke	431/349
4,051,344	A	9/1977	Robbins		
D302,098	S	7/1989	Yoshinaga et al.		
D304,151	S	10/1989	Chapin et al.		
4,948,942	A	8/1990	Hiibel		
D335,804	S	5/1993	Burgin		
5,466,149	A	11/1995	Tsai et al.		
5,564,918	A *	10/1996	Lin	431/255
D376,302	S	12/1996	Tsai et al.		
5,647,738	A *	7/1997	Tsai	431/255
5,735,684	A *	4/1998	Tsai	431/242
5,741,128	A	4/1998	Tsai et al.		
5,800,155	A	9/1998	Miyanaga et al.		

D416,920	S	11/1999	Chou et al.		
6,063,329	A	5/2000	Tsai et al.		
D456,428	S *	4/2002	Aronson et al.	D15/144
D456,828	S	5/2002	Aronson, II et al.		
D477,507	S *	7/2003	Lin	D8/30
D514,606	S *	2/2006	Picaza	D15/144.2
D519,800	S *	5/2006	Glover et al.	D8/29.1
2003/0203331	A1 *	10/2003	Hsu	431/153
2005/0112518	A1 *	5/2005	Watanabe	431/153
2008/0160471	A1 *	7/2008	Lin	431/344

* cited by examiner

Primary Examiner—Philip S Hyder

(74) *Attorney, Agent, or Firm*—Lerner, David, Littenberg,
Krumholz & Mentlik, LLP

(57) **CLAIM**

The ornamental design for a torch, as shown and described.

DESCRIPTION

FIG. 1 is a perspective view of a torch showing our new design;

FIG. 2 is a front elevational view, the rear elevational view being a mirror image of the front elevational view;

FIG. 3 is a top plan view thereof;

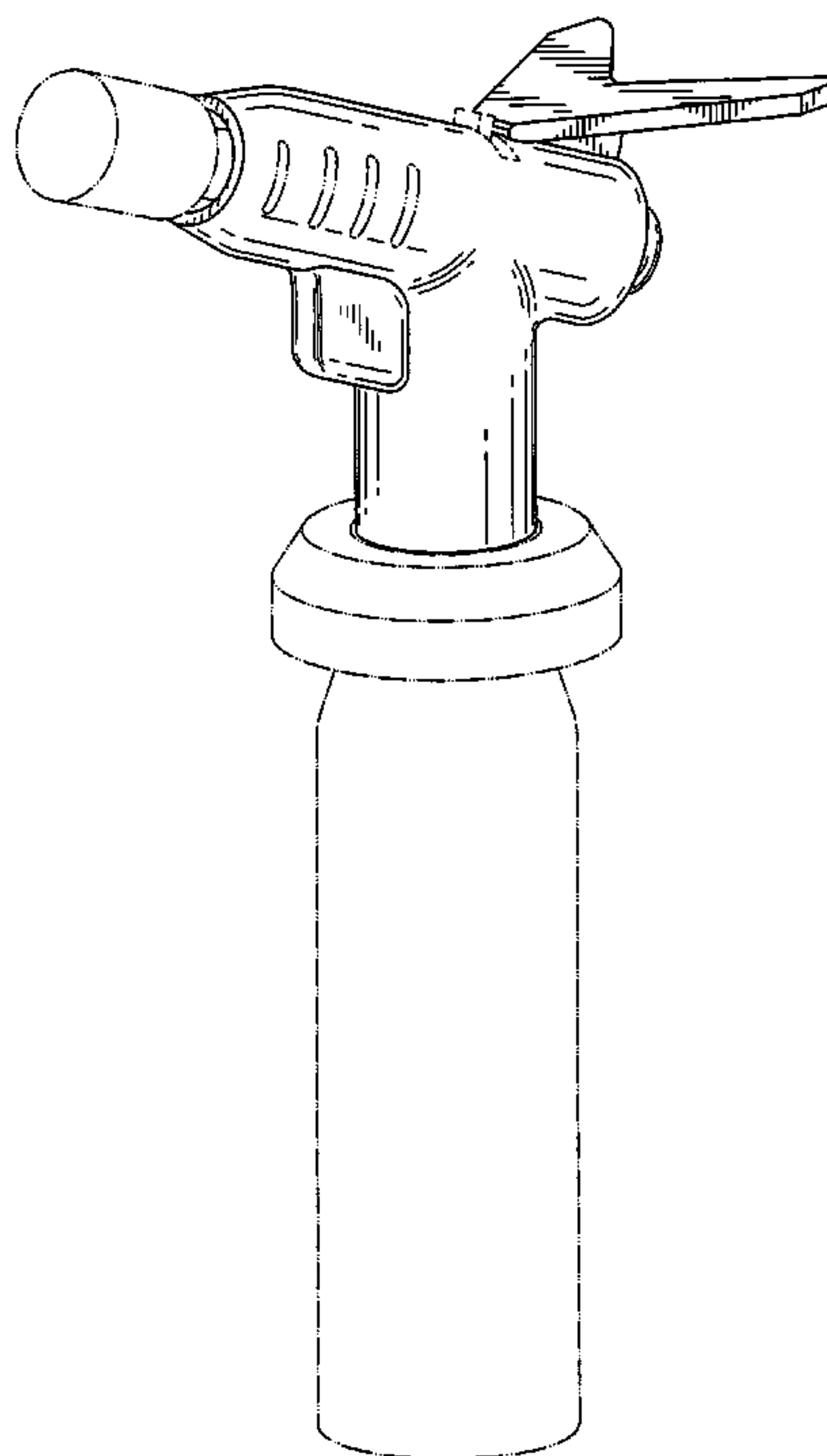
FIG. 4 is a bottom plan view thereof;

FIG. 5 is a right side elevational view thereof; and,

FIG. 6 is a left elevational view thereof.

The broken lines shown in the drawings are for illustration purpose only and form no part of the claimed design.

1 Claim, 5 Drawing Sheets



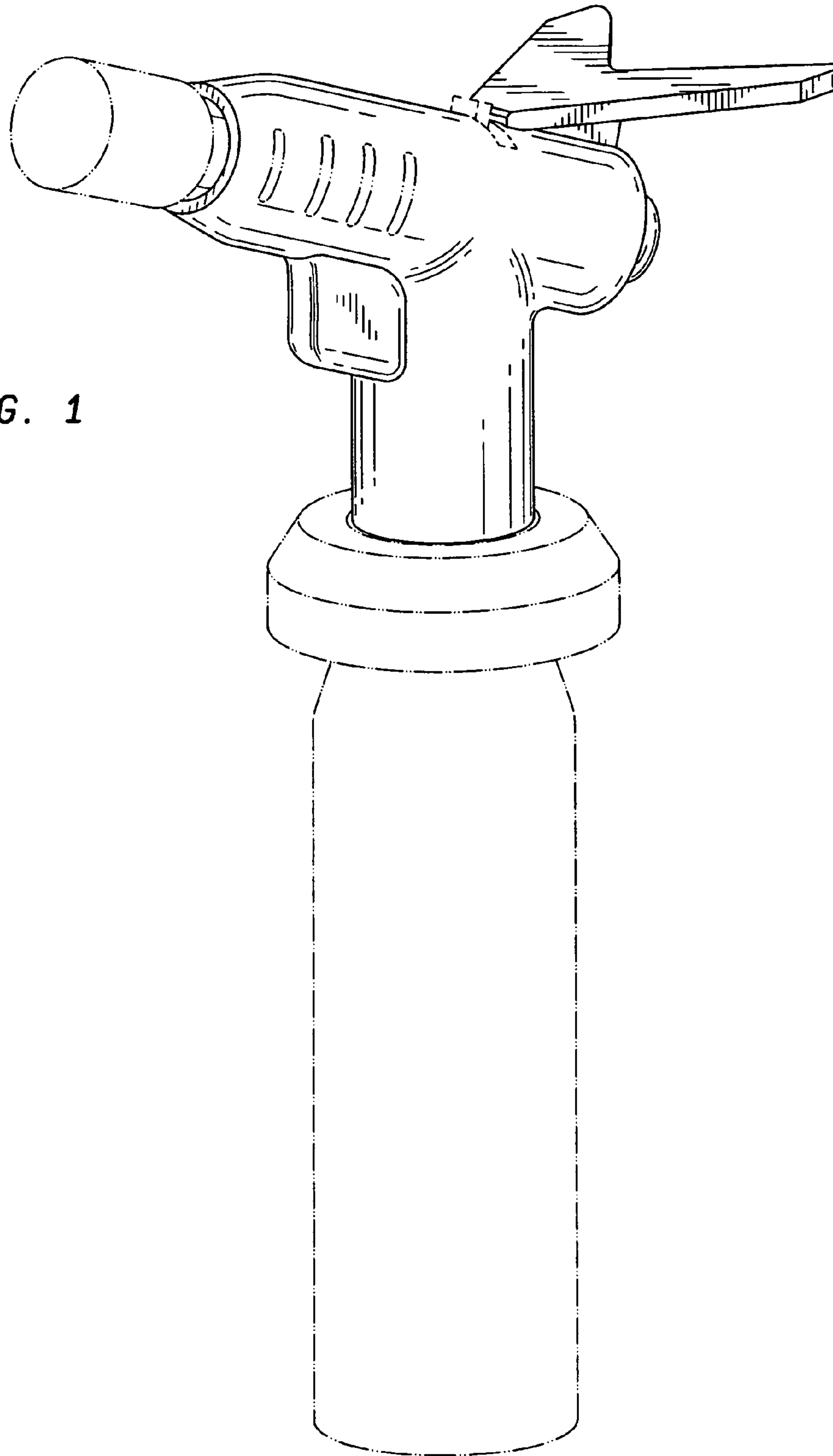


FIG. 1

FIG. 2

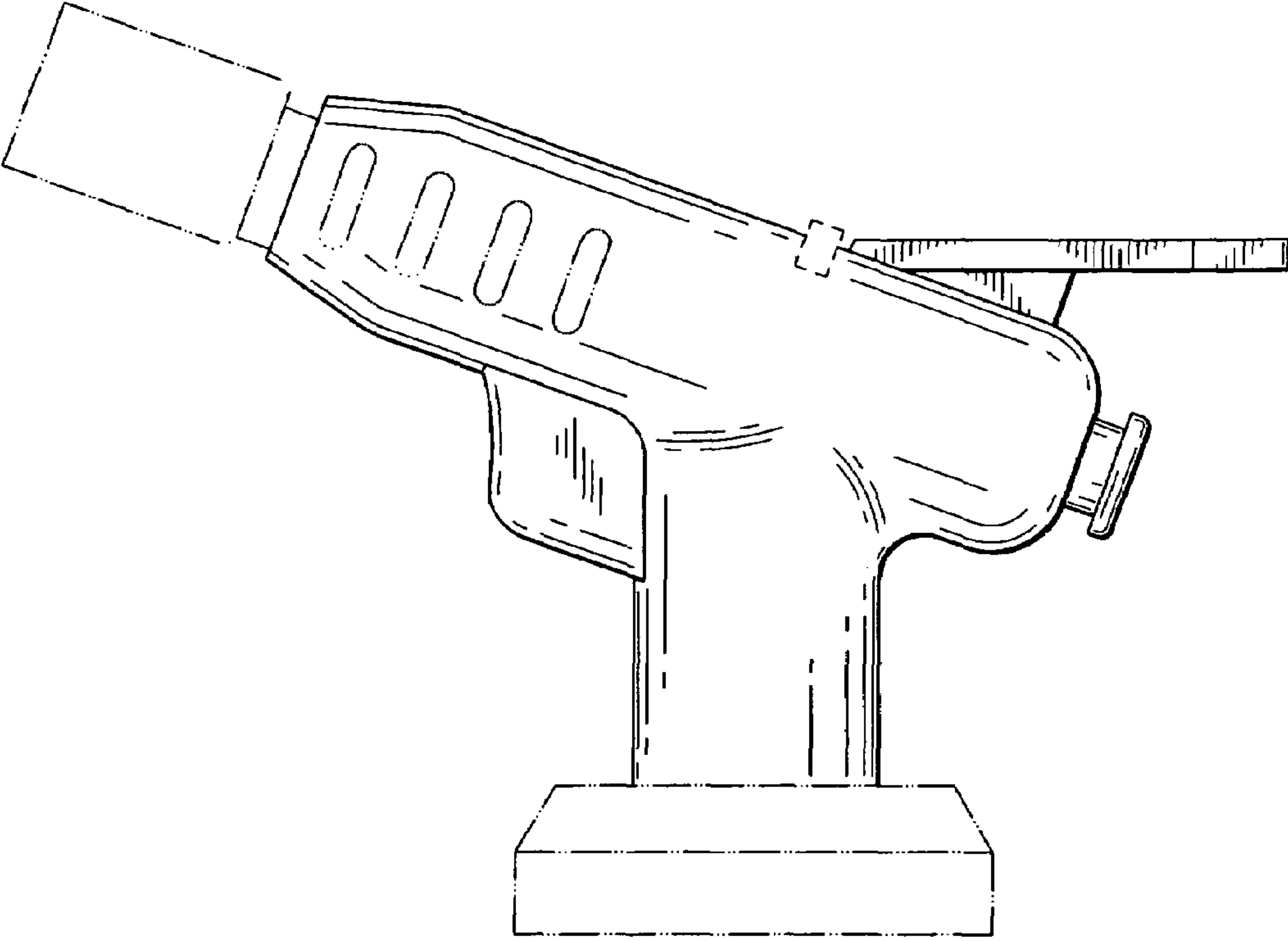


FIG. 3

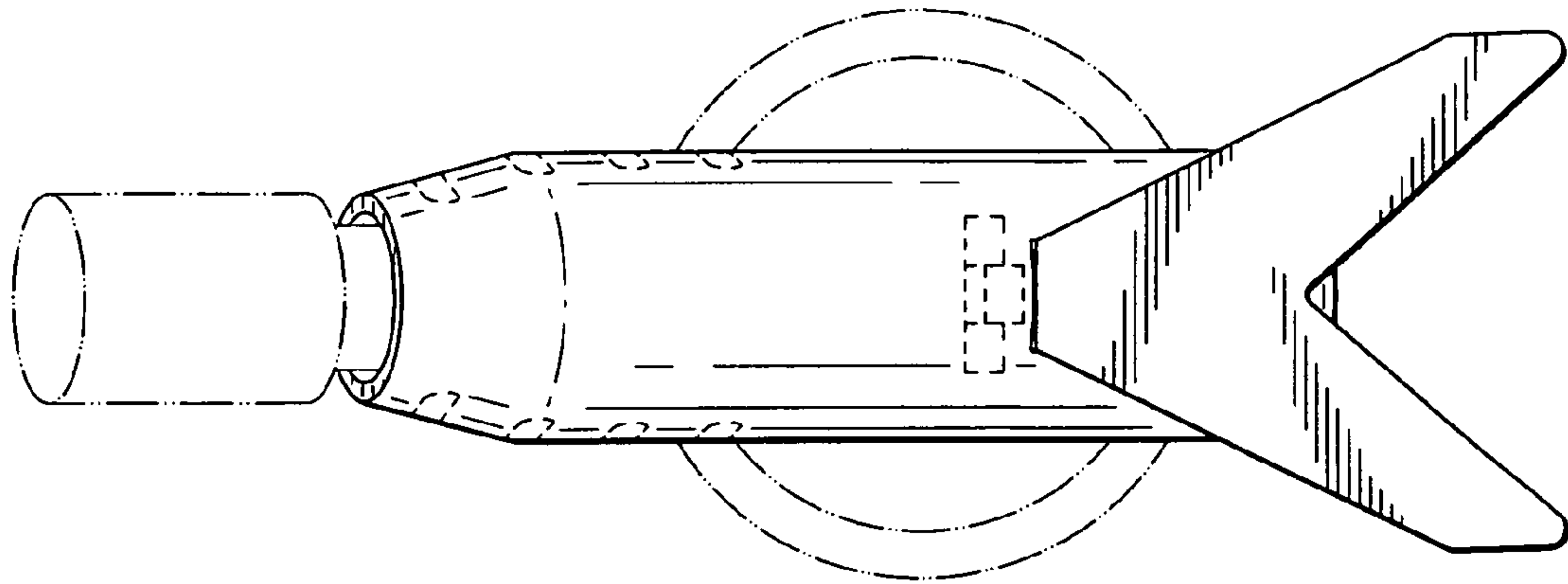


FIG. 4

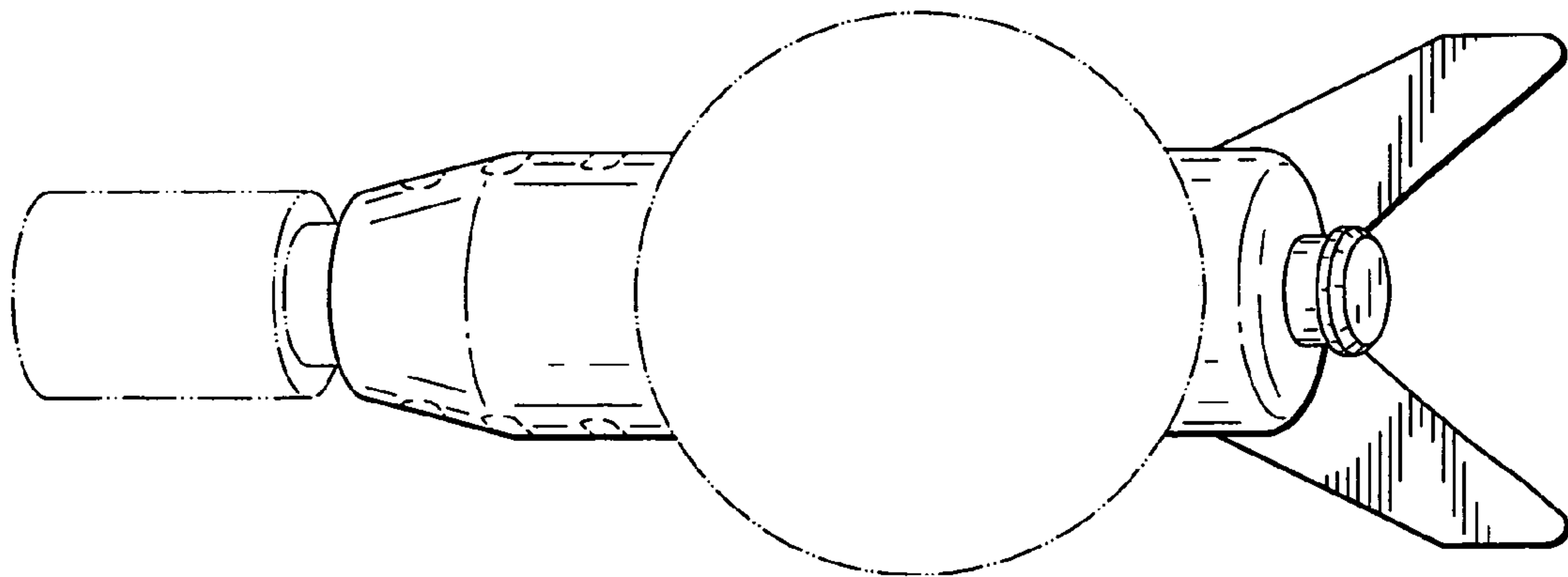


FIG. 5

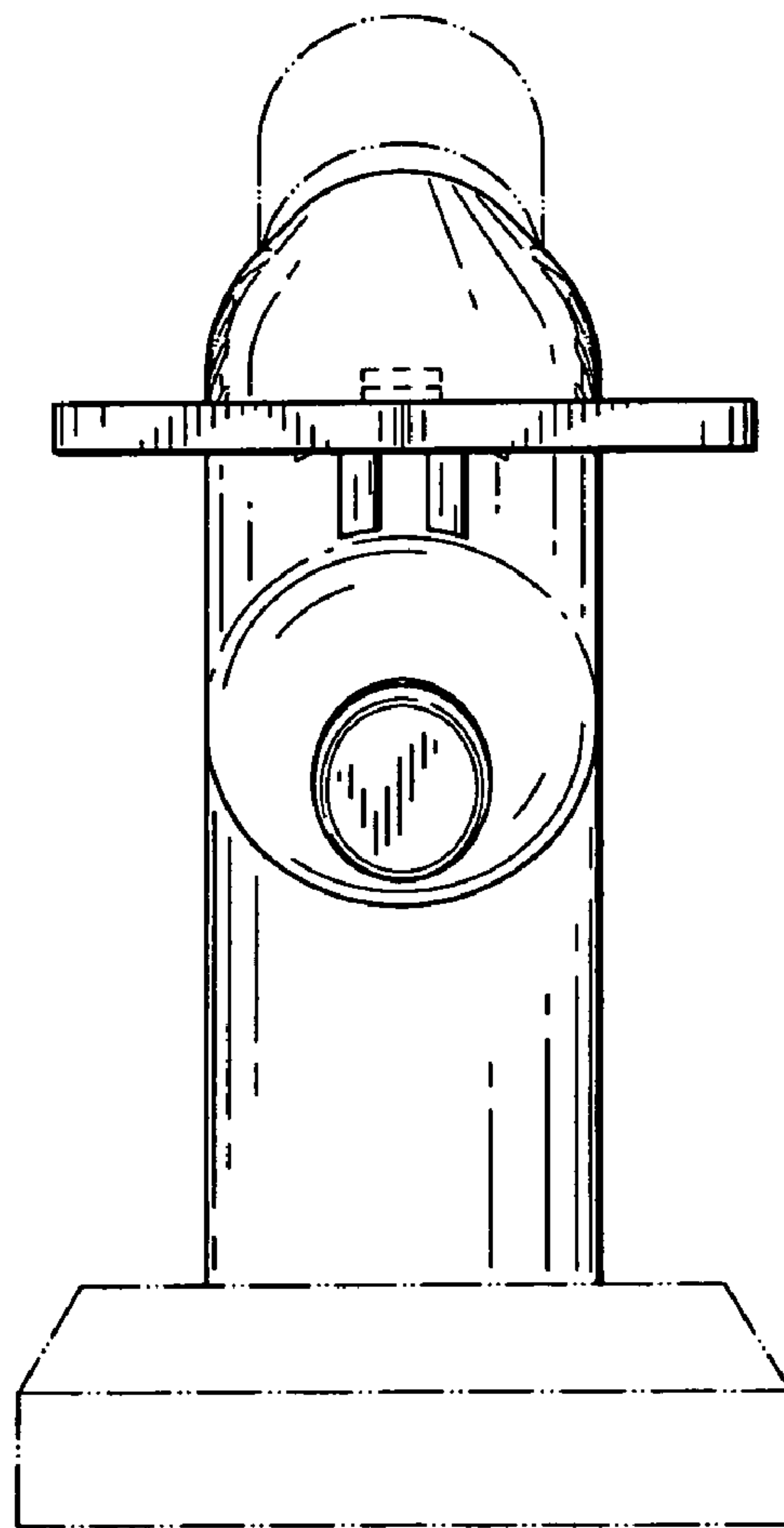


FIG. 6

