



US00D587970S

(12) **United States Design Patent**  
**Zack et al.**

(10) **Patent No.:** **US D587,970 S**  
(45) **Date of Patent:** **\*\* Mar. 10, 2009**

(54) **CHILDREN'S DINING SET**

(75) Inventors: **Elizabeth A. Zack**, Brooklyn, NY (US);  
**Ellen D. Diamant**, New York, NY (US)

(73) Assignee: **Skip Hop, Inc.**, New York, NY (US)

(\*\*) Term: **14 Years**

(21) Appl. No.: **29/292,785**

(22) Filed: **Oct. 29, 2007**

(51) **LOC (9) Cl.** ..... **07-01**

(52) **U.S. Cl.** ..... **D7/551.1; D7/541**

(58) **Field of Classification Search** ..... D7/549,  
D7/541, 553.1, 543, 538, 550.1, 357, 555,  
D7/553.5, 553.6, 629, 614, 703; 108/25;  
206/561, 521.15, 541, 553, 557, 457; 220/500,  
220/4.24, 23.8, 556; D9/737; D19/35, 36,  
D19/80, 59; 428/66.6

See application file for complete search history.

(56) **References Cited**

**U.S. PATENT DOCUMENTS**

D13,851 S *	4/1883	Murray	.....	D19/80
2,295,860 A *	9/1942	Oliver	.....	294/172
D148,374 S *	1/1948	Malco	.....	D28/73
D293,640 S *	1/1988	Perry et al.	.....	D7/553.6
4,735,306 A *	4/1988	Smit	.....	206/1.8
4,884,680 A *	12/1989	Israel et al.	.....	206/457
5,042,712 A	8/1991	DeRoseau		
D342,806 S *	12/1993	Jones et al.	.....	D28/73
D362,090 S *	9/1995	Baldwin et al.	.....	D30/130
5,484,637 A *	1/1996	Paragon et al.	.....	428/66.6

5,551,593 A *	9/1996	Wiens	.....	220/575
D409,655 S *	5/1999	Broyles	.....	D19/35
5,938,066 A	8/1999	DeMars		
6,264,026 B1 *	7/2001	Bradley	.....	206/217
D453,891 S *	2/2002	Sussman	.....	D7/553.1
6,609,625 B1 *	8/2003	Gibbar	.....	220/574
D501,761 S *	2/2005	Glander et al.	.....	D7/553.5
D512,277 S *	12/2005	Mabbutt	.....	D7/625

\* cited by examiner

*Primary Examiner*—Marianne Pandozzi

*Assistant Examiner*—Cynthia Underwood

(74) *Attorney, Agent, or Firm*—Stites & Harbison PLLC;  
Douglas E. Jackson; Stephen J. Weyer

(57) **CLAIM**

The ornamental design for a children's dining set, as shown and described.

**DESCRIPTION**

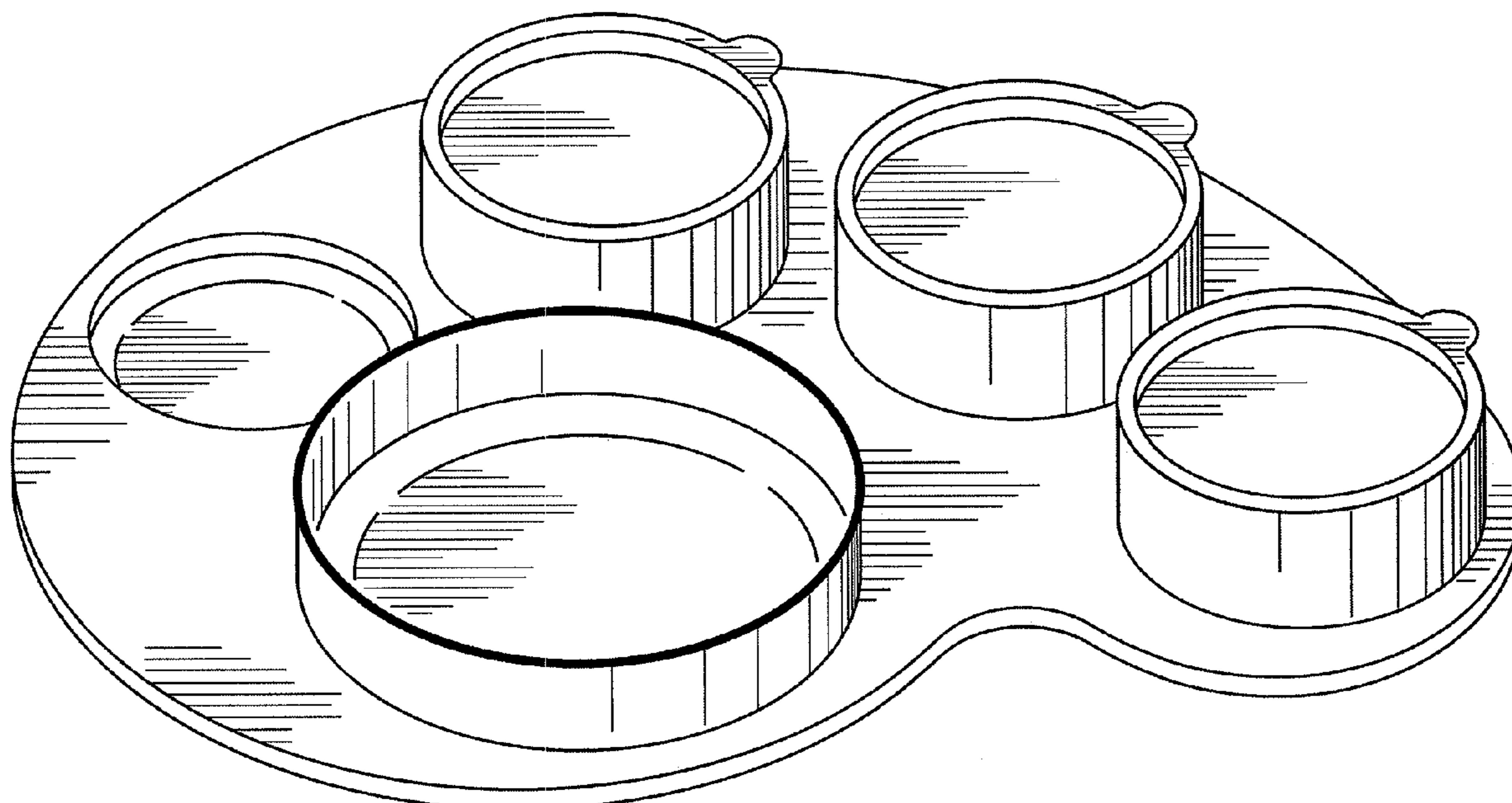
FIG. 1 is a top plan view of a children's dining set including one cup holder, three food storage bowls, and one food serving bowl with the lids removed for ease of illustration.

FIG. 2 is a top plan view of a children's dining set with one cup holder, three food storage bowls, with lids, and one food serving bowl of the children's dining set of FIG. 1.

FIG. 3 is a perspective view of the children's dining set of FIG. 1; and,

FIG. 4 is a perspective view of the children's dining set of FIG. 2.

**1 Claim, 4 Drawing Sheets**



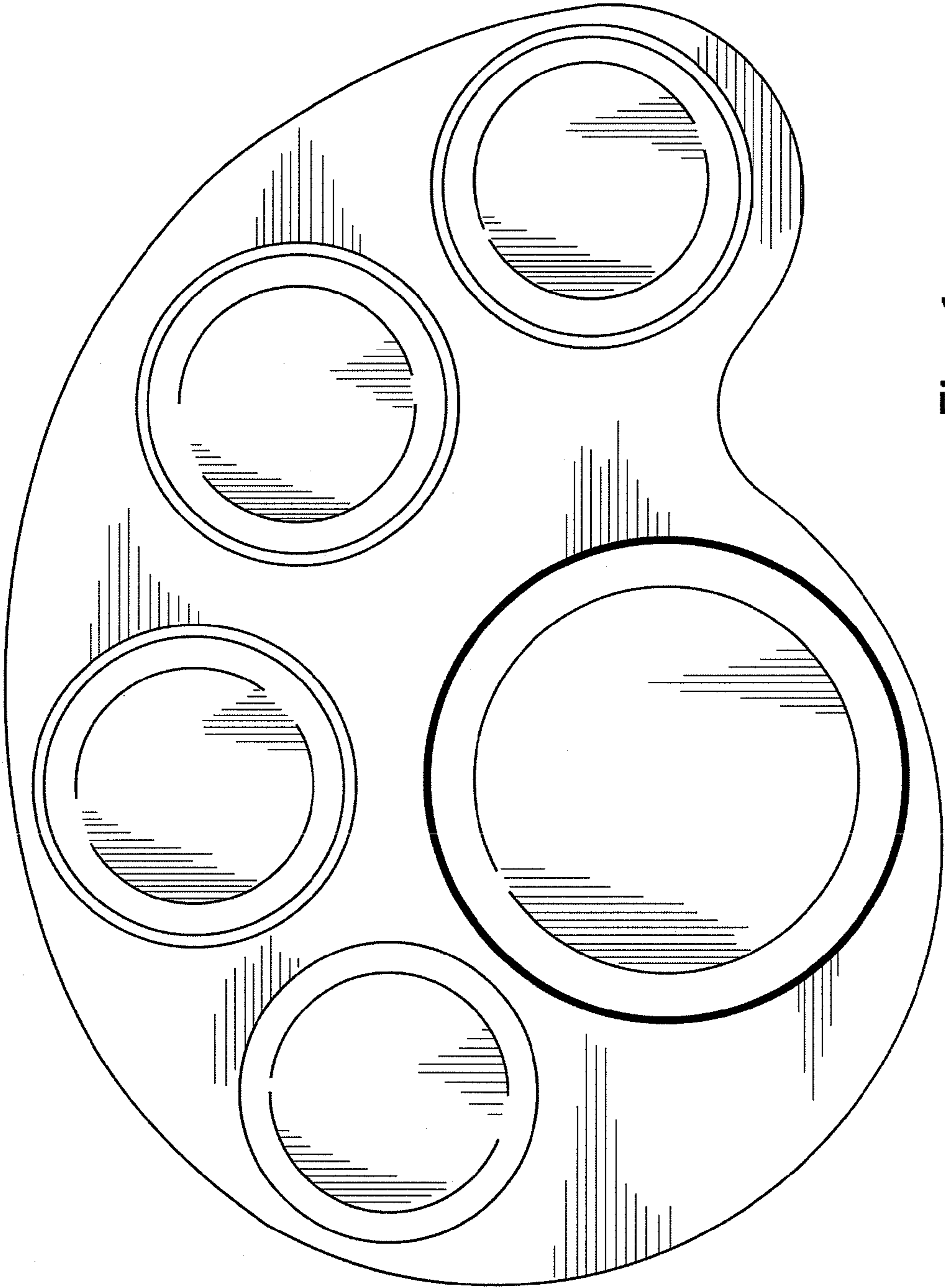


Fig. 1

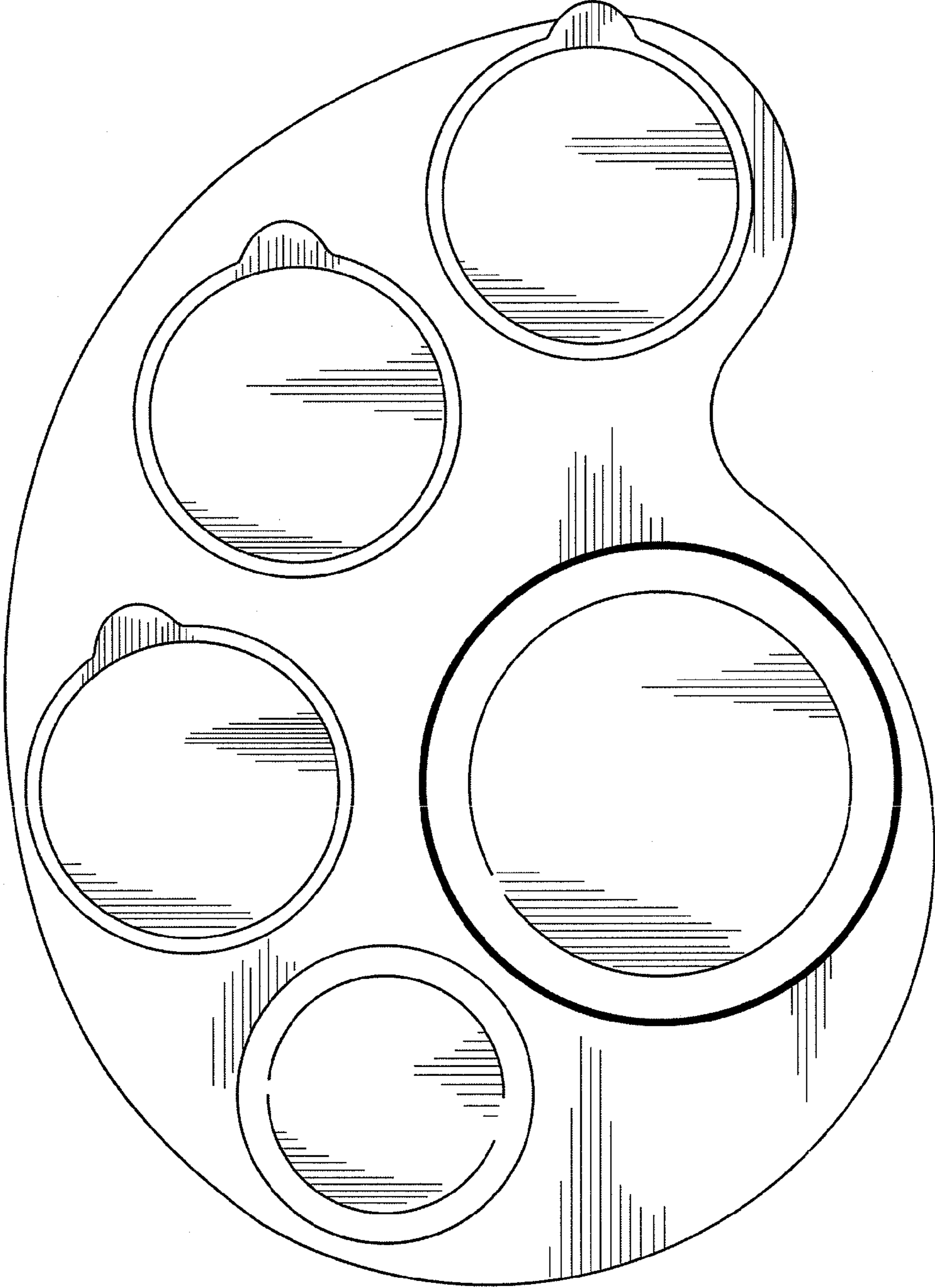


Fig. 2

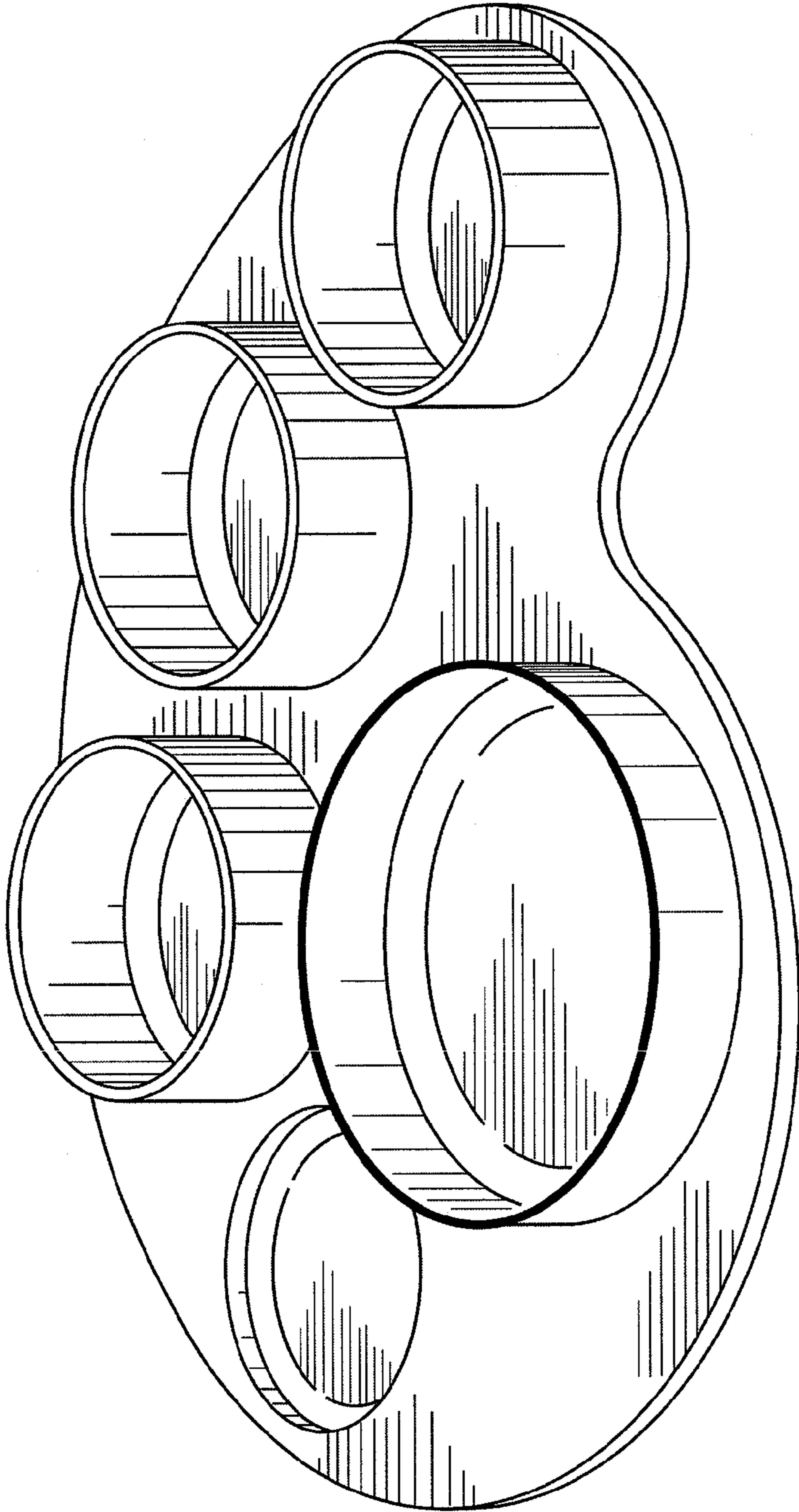


Fig. 3

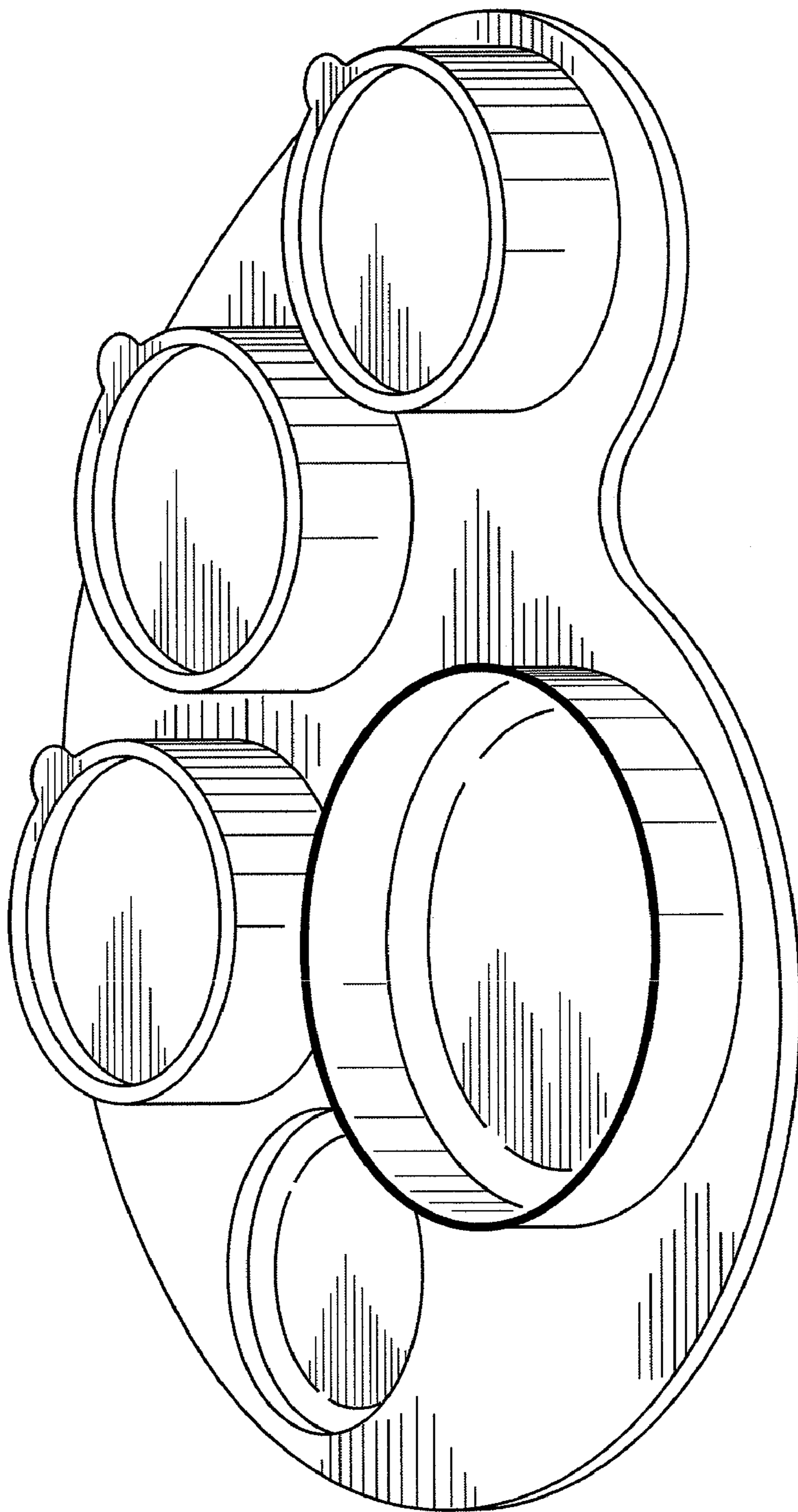


Fig. 4