



US00D587969S

(12) **United States Design Patent**
Gilbert

(10) **Patent No.:** **US D587,969 S**

(45) **Date of Patent:** **** Mar. 10, 2009**

(54) **CONTAINER WITH BEVERAGE INFUSER**

D560,435 S * 1/2008 Meehan D7/510

D565,901 S * 4/2008 Edelstein et al. D7/510

(75) Inventor: **Tyler Sean Gilbert**, Bellevue, WA (US)

7,371,004 B1 * 5/2008 Branson et al. 366/130

D572,531 S * 7/2008 Romandy et al. D7/510

(73) Assignee: **Pacific Market International, LLC**,
Seattle, WA (US)

(**) Term: **14 Years**

* cited by examiner

Primary Examiner—Antoine D Davis

(21) Appl. No.: **29/297,526**

(74) *Attorney, Agent, or Firm*—Davis Wright Tremaine LLP;
George C. Rondeau, Jr.

(22) Filed: **Nov. 13, 2007**

(57) **CLAIM**

(51) **LOC (9) Cl.** **07-01**

(52) **U.S. Cl.** **D7/510; D7/511; D7/507**

(58) **Field of Classification Search** D7/507,

D7/300–305, 505–509, 589, 592, 320, 312,

D7/510, 511, 533, 532, 514, 543–548, 534–538,

D7/598, 600, 318, 605, 2, 3, 4, 9, 38, 52,

D7/58, 81, 550.1, 553.1, 553.5, 554.3–554.4,

D7/619.1, 630; D9/737, 738, 741, 744, 551,

D9/671; D3/202, 30.1, 99, 36; 99/317, 323,

99/323.3, 285, 321; 100/123; 126/348; 206/217,

206/541, 150, 501, 45; 211/71, 49.1, 53,

211/74, 77–79; 215/388, 227–354; 220/592.16,

220/592.17, 592.2, 592.21, 703–716, 735,

220/28, 23, 83, 756, 769, 771, 23.4, 86; 222/130,

222/189.07, 108, 500, 129; 248/311.2

See application file for complete search history.

The ornamental design for a container with beverage infuser,
as shown and described.

DESCRIPTION

FIG. 1 is a top and left side perspective view of a container
with beverage infuser showing my new design.

FIG. 2 is a front elevational view thereof.

FIG. 3 is a rear elevational view thereof.

FIG. 4 is a left side elevational view thereof.

FIG. 5 is a right side elevational view thereof.

FIG. 6 is a top plan view thereof; and,

FIG. 7 is a bottom plan view thereof.

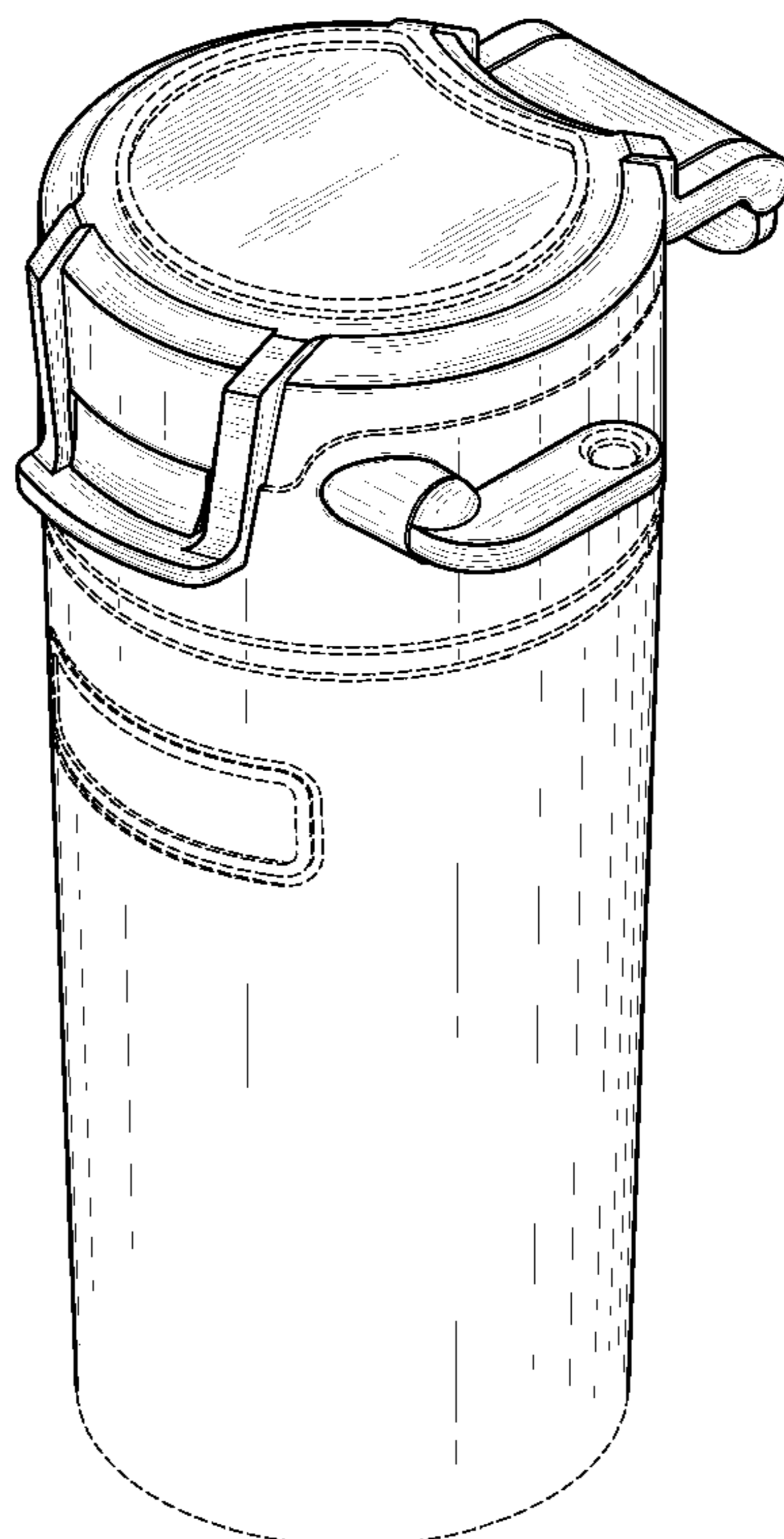
The broken lines are for illustrative purposes only and form
no part of the claimed design.

(56) **References Cited**

U.S. PATENT DOCUMENTS

D548,008 S * 8/2007 Lin D7/510

1 Claim, 6 Drawing Sheets



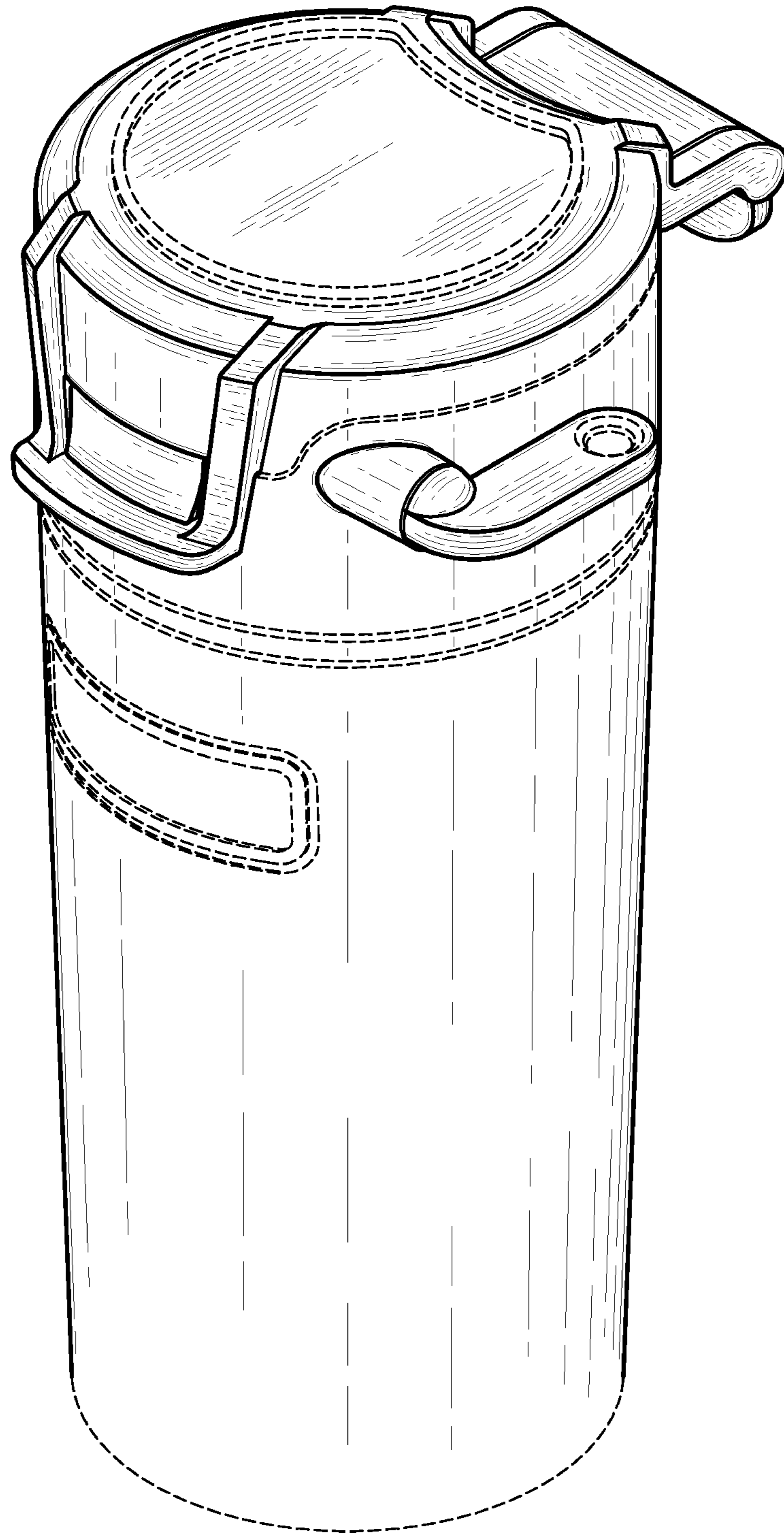


Fig. 1

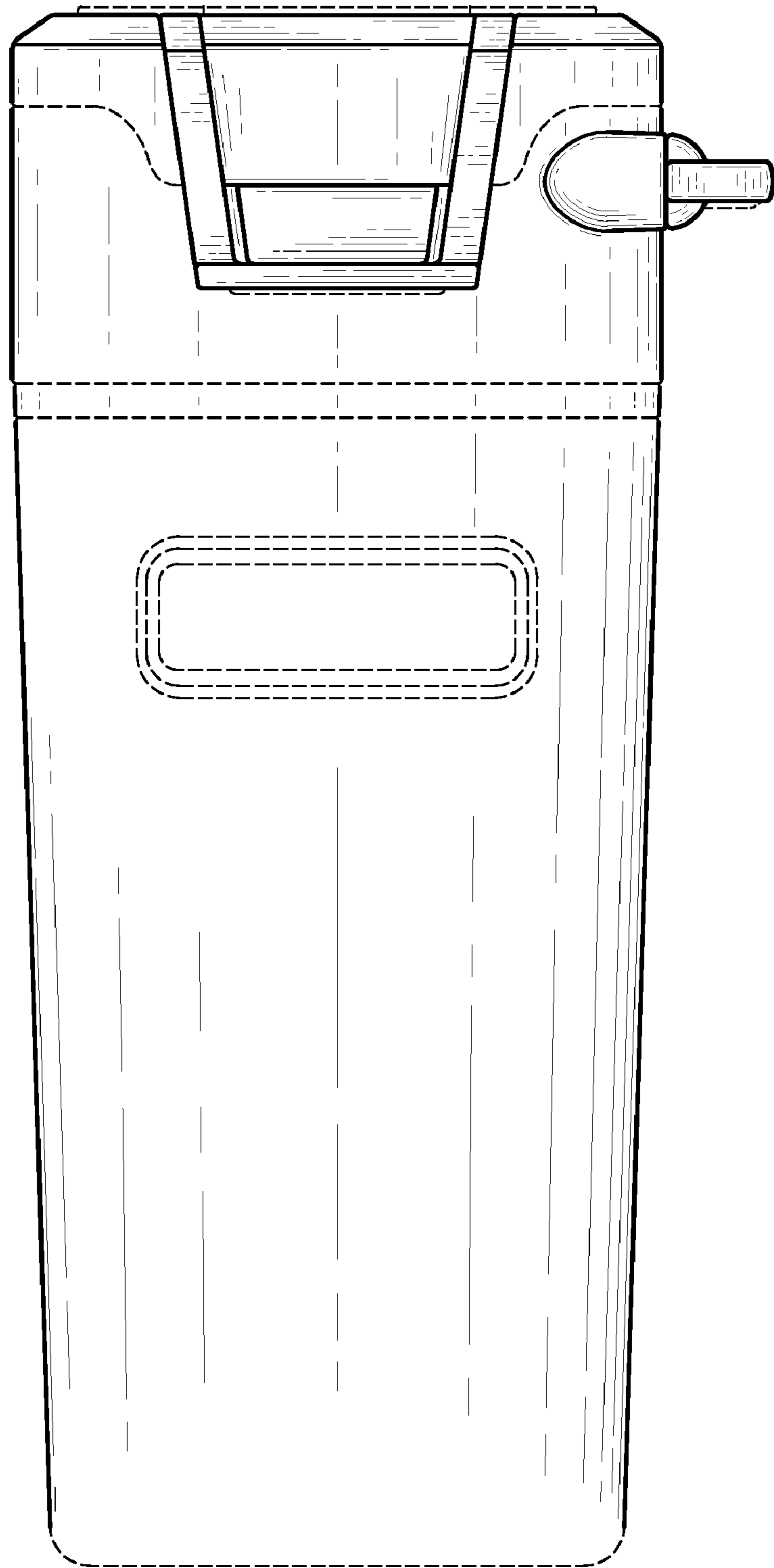


Fig. 2

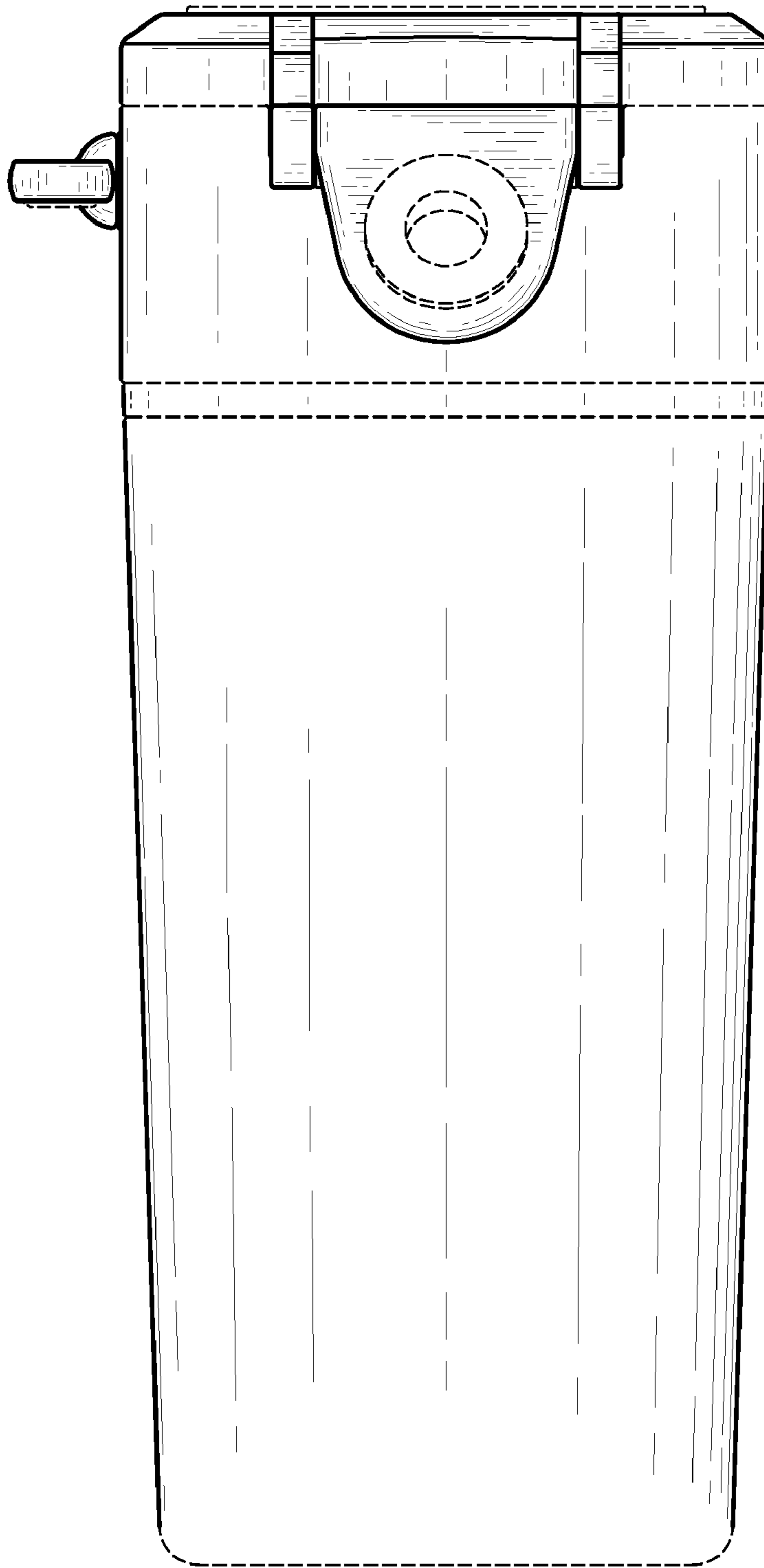


Fig. 3

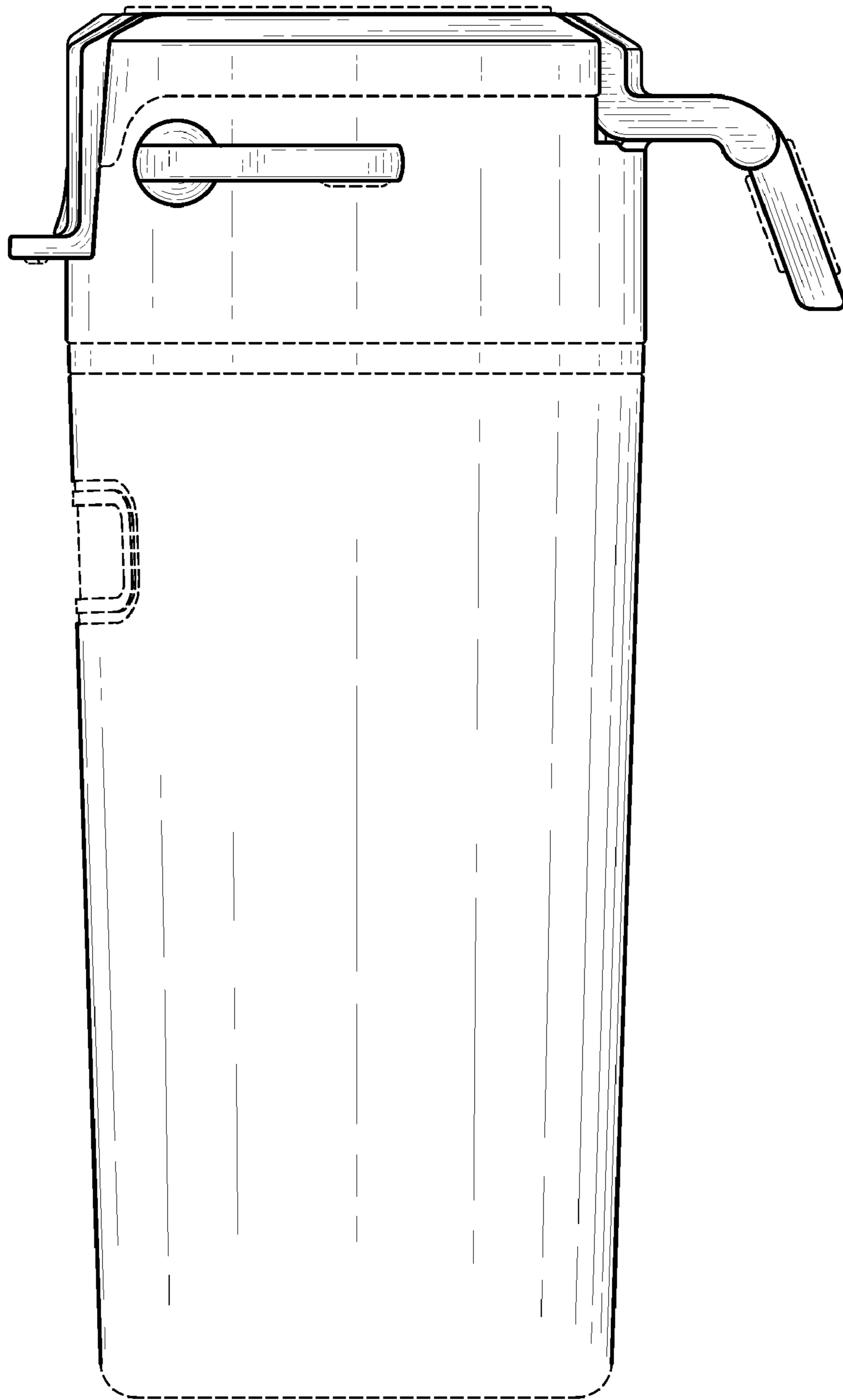


Fig. 4

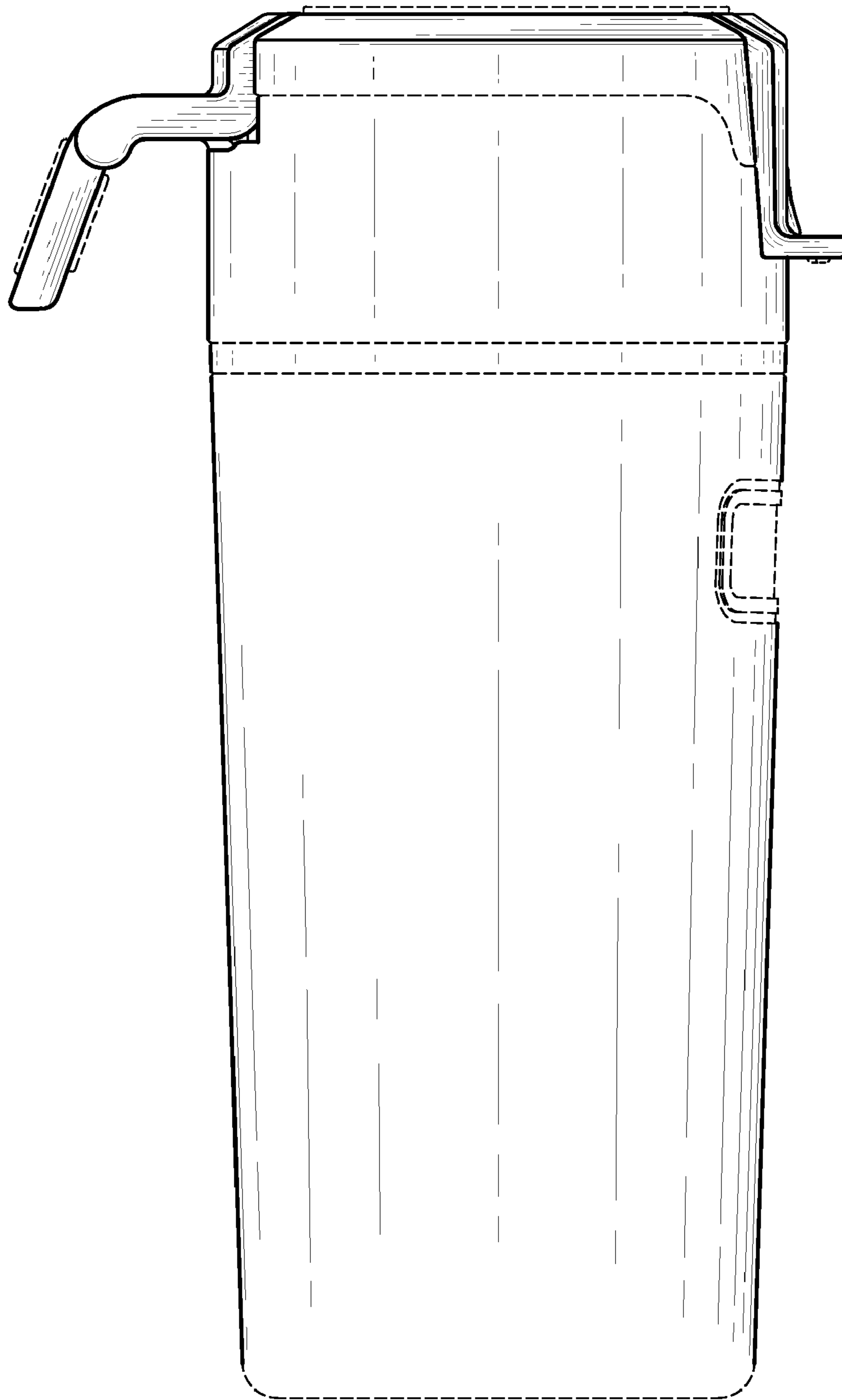


Fig. 5

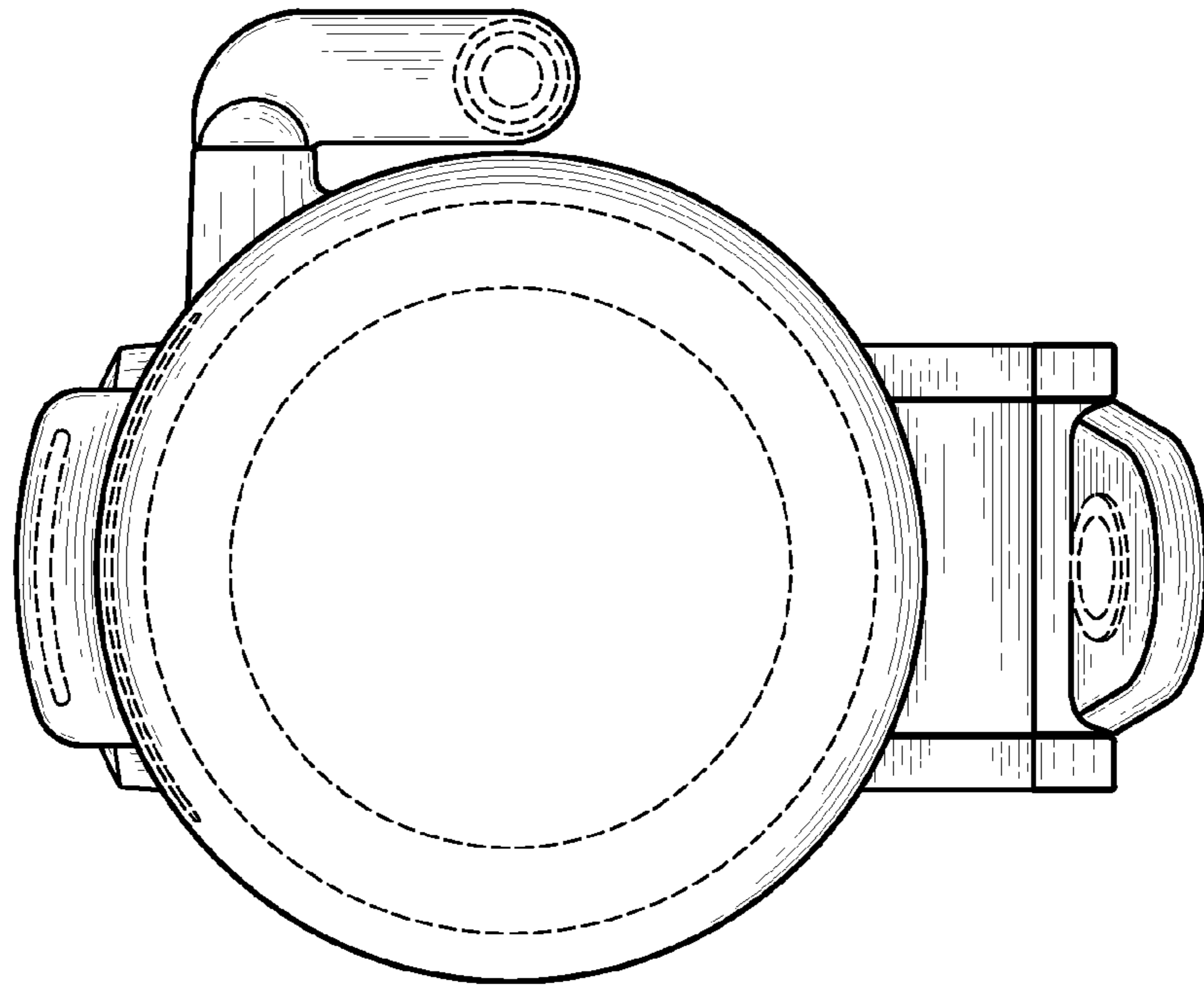


Fig. 7

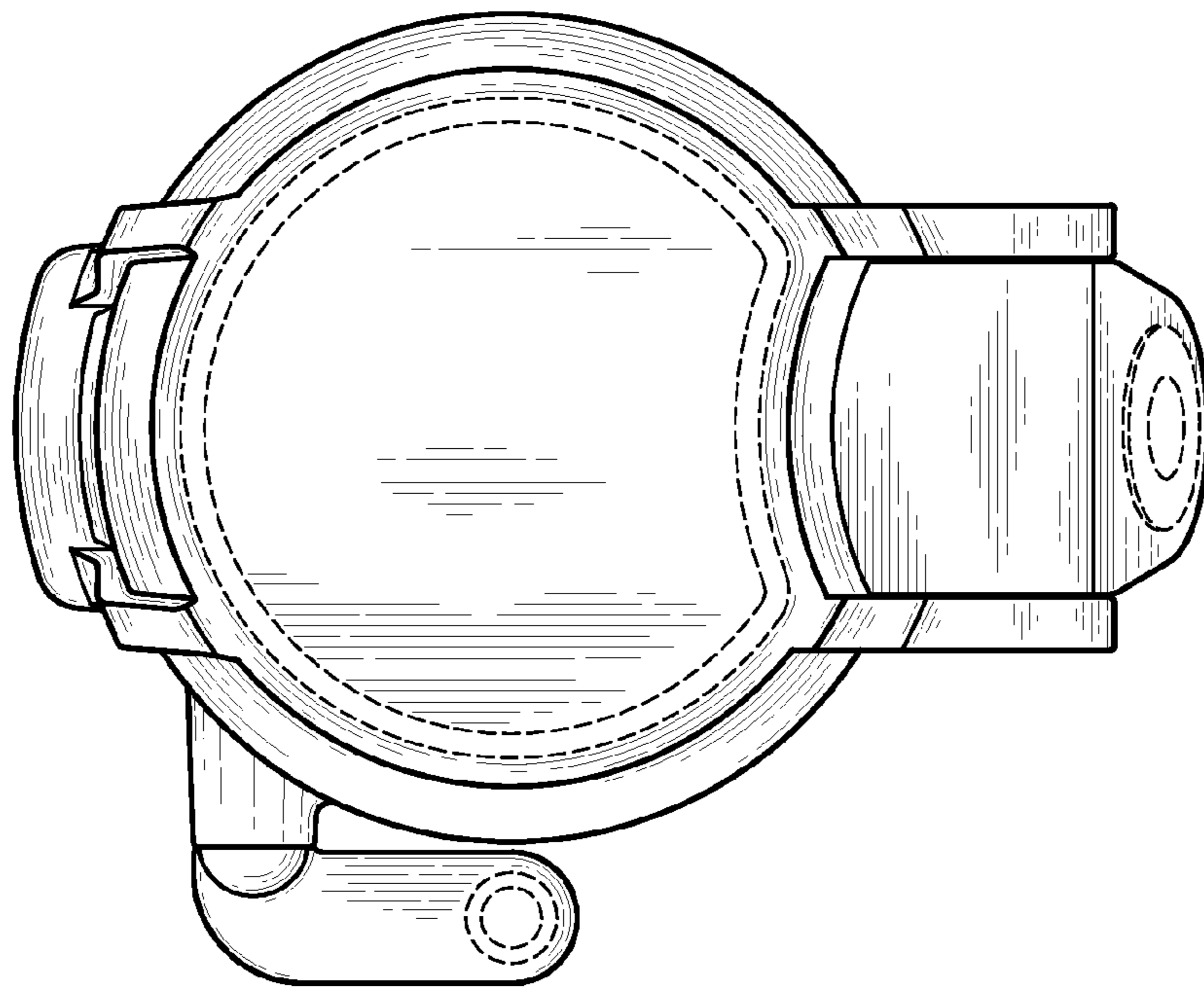


Fig. 6