



US00D587968S

(12) **United States Design Patent**
Campbell

(10) **Patent No.:** **US D587,968 S**

(45) **Date of Patent:** **** Mar. 10, 2009**

(54) **FOOTBALL-SHAPED COCKTAIL SHAKER**

D424,876 S * 5/2000 McPartland D7/510
D425,757 S * 5/2000 Printz et al. D7/510
D477,132 S * 7/2003 Bond et al. D3/202

(76) Inventor: **Matthew T. Campbell**, 5125 E. Armor St., Cave Creek, AZ (US) 85331

* cited by examiner

(**) Term: **14 Years**

Primary Examiner—Antoine D Davis
(74) *Attorney, Agent, or Firm*—Stoneman Volk Patent Group; Martin L. Stoneman; Michael D. Volk, Jr.

(21) Appl. No.: **29/291,785**

(22) Filed: **Sep. 14, 2007**

(57) **CLAIM**

(51) **LOC (9) Cl.** **07-01**

(52) **U.S. Cl.** **D7/510; D7/511; D7/901**

(58) **Field of Classification Search** D7/213,
D7/300–305, 505–509, 589, 592, 320, 321,
D7/312, 510, 511, 533, 536, 532, 514, 543–548,
D7/534–538, 598, 600, 318, 605, 2, 3, 4,
D7/9, 38, 52, 58, 81, 550.1, 553.1, 553.5,
D7/554.3, 554.4, 619.1, 630; D9/737, 738,
D9/741, 744, 551, 671; D3/202, 30.1, 99,
D3/36; 99/317, 323, 323.3, 285, 321; 100/123;
126/348; 206/217, 541, 150, 501, 45; 211/71,
211/49.1, 53, 74, 77, 78, 79; 215/388, 227–354;
220/592.16, 592.17, 592.2, 592.21, 703–716,
220/735, 28, 23.83, 756, 769, 771, 23.4,
220/23.86; 222/130, 189.07, 108, 500, 129;
248/311.2

The ornamental design for a “football-shaped cocktail shaker”, as shown and described.

DESCRIPTION

See application file for complete search history.

FIG. 1 is a front elevational view of the football-shaped cocktail shaker, showing my new design;

FIG. 2 is a right side elevational view thereof (and a mirror image of the left side elevation);

FIG. 3 is a top view thereof (and a mirror image of the bottom view);

FIG. 4 is a back view thereof;

FIG. 5 is a front exploded view of the football-shaped cocktail shaker showing a removable cap-portion repositioned to an alternate (offset) position;

FIG. 6; is a top exploded view of the football-shaped cocktail shaker in the alternate position of FIG. 5; and,

FIG. 7 is a bottom exploded view of the football-shaped cocktail shaker in the alternate position of FIG. 5.

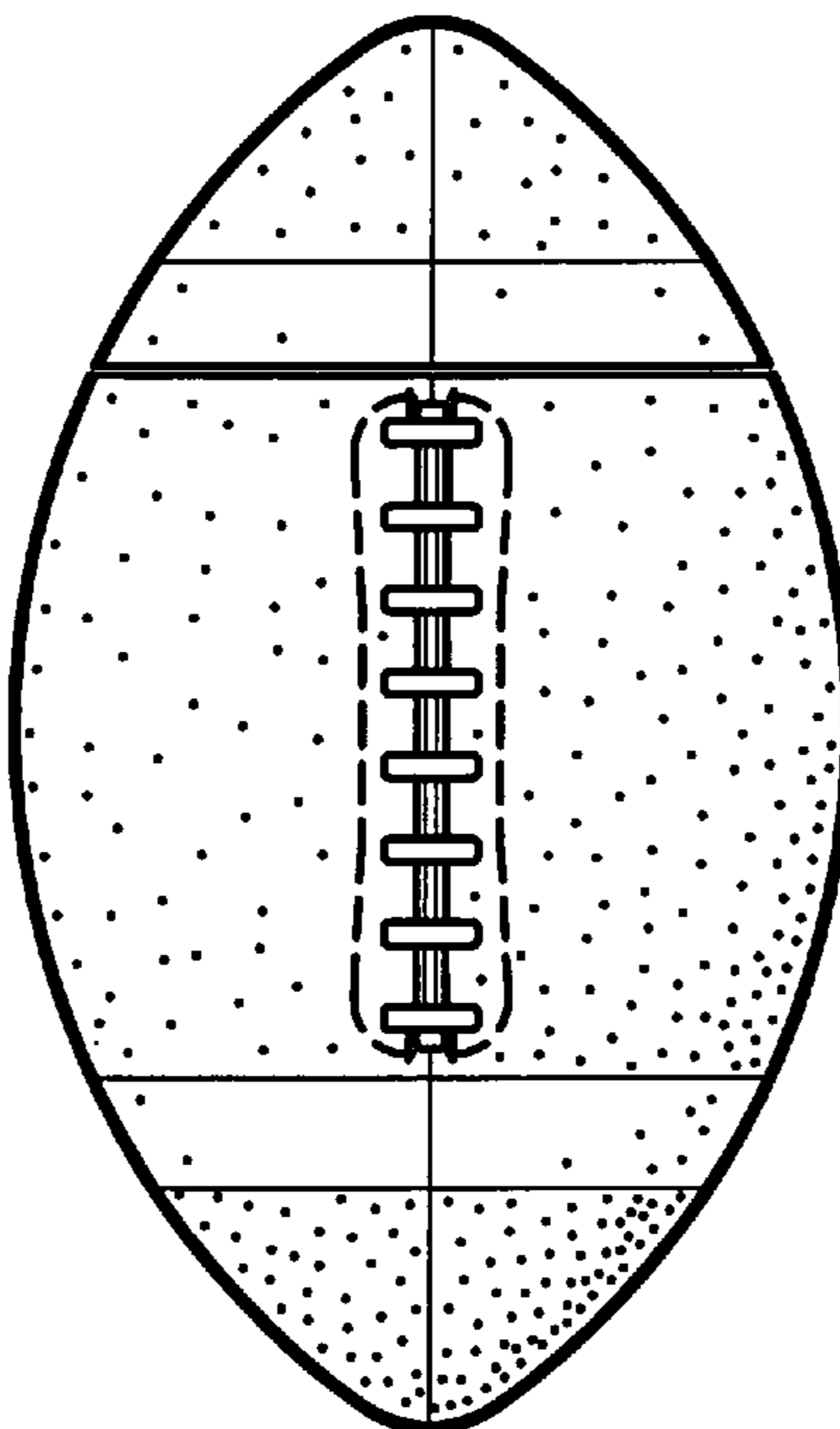
The arrow depiction of FIG. 5 illustrates preferred alignment of parts and forms no part of the claimed design.

(56) **References Cited**

U.S. PATENT DOCUMENTS

D212,818 S * 11/1968 Flaherty D7/511
D228,328 S * 9/1973 Schley D7/507
D249,438 S * 9/1978 Meier et al. D7/511
5,662,241 A * 9/1997 Sorensen 220/630
D424,375 S * 5/2000 D’Arrigo D7/510

1 Claim, 3 Drawing Sheets



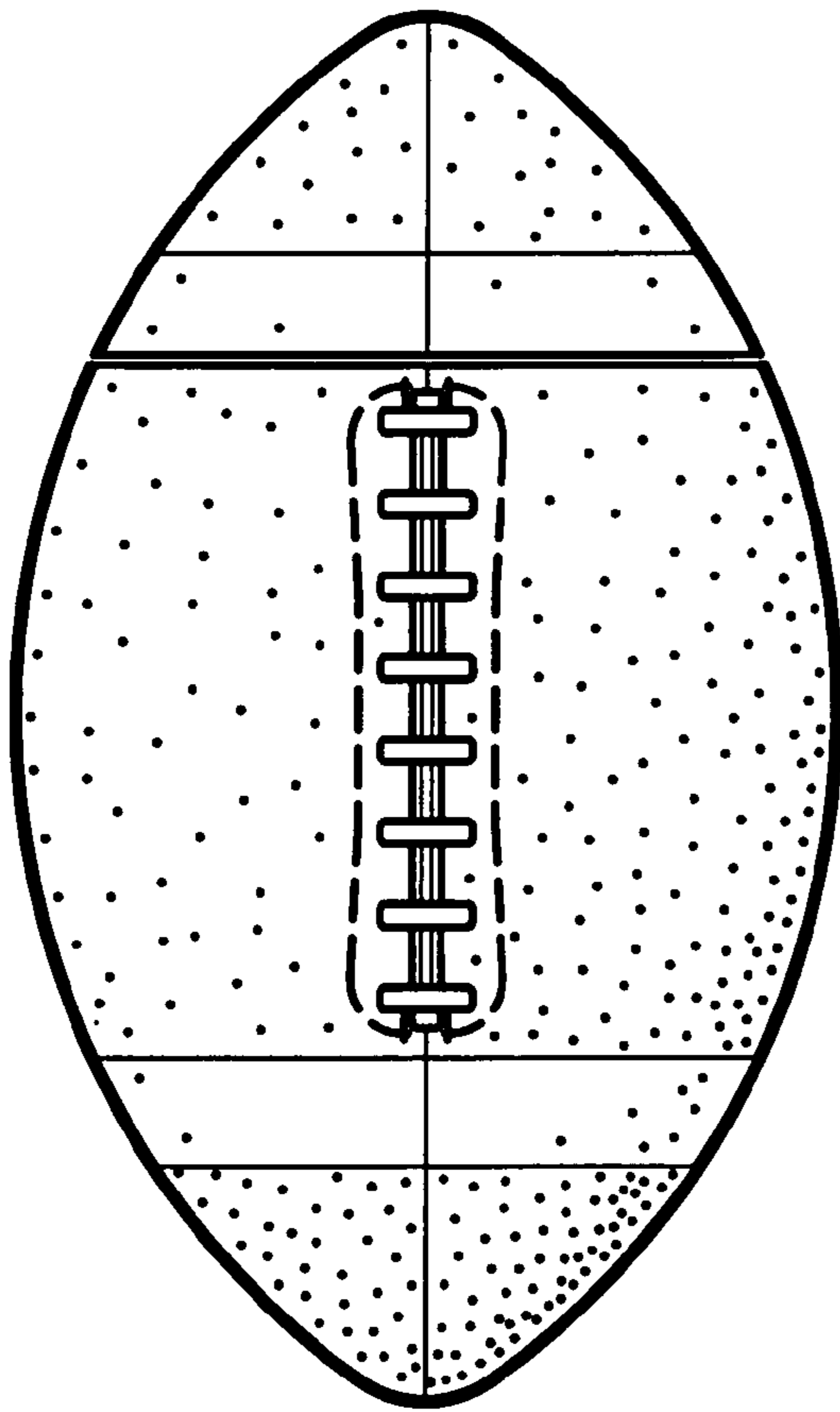


FIG. 1

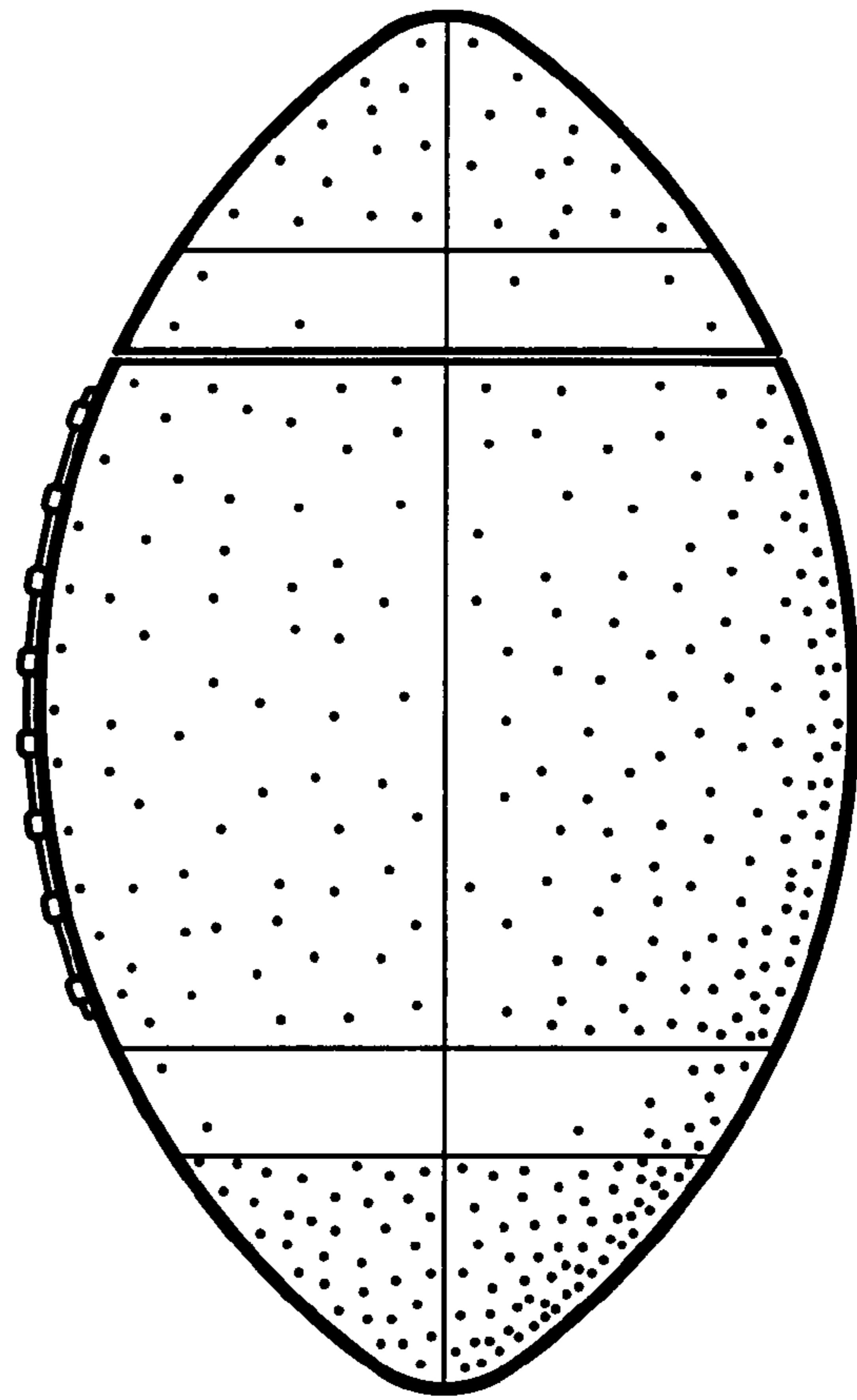


FIG. 2

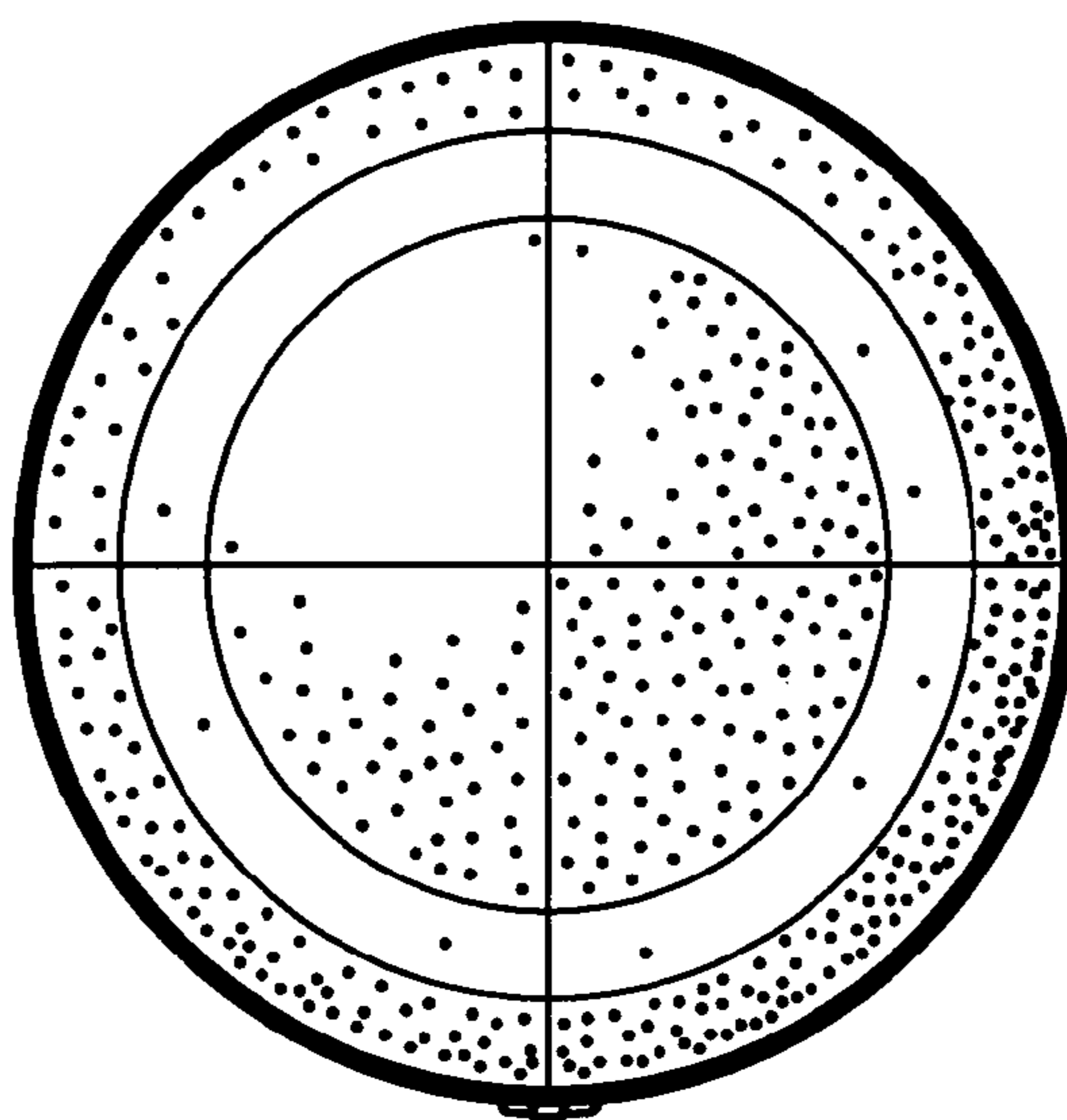


FIG. 3

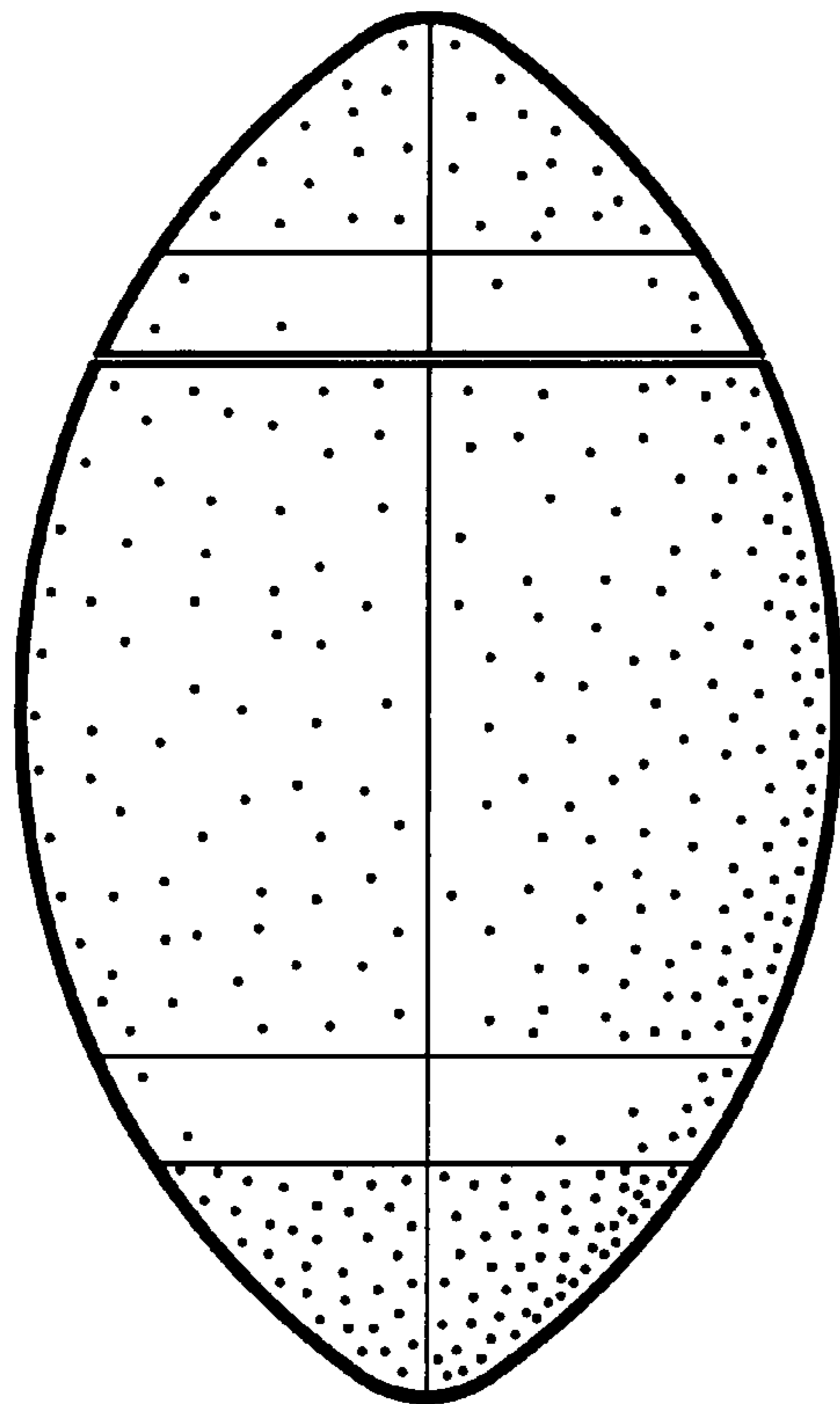


FIG. 4

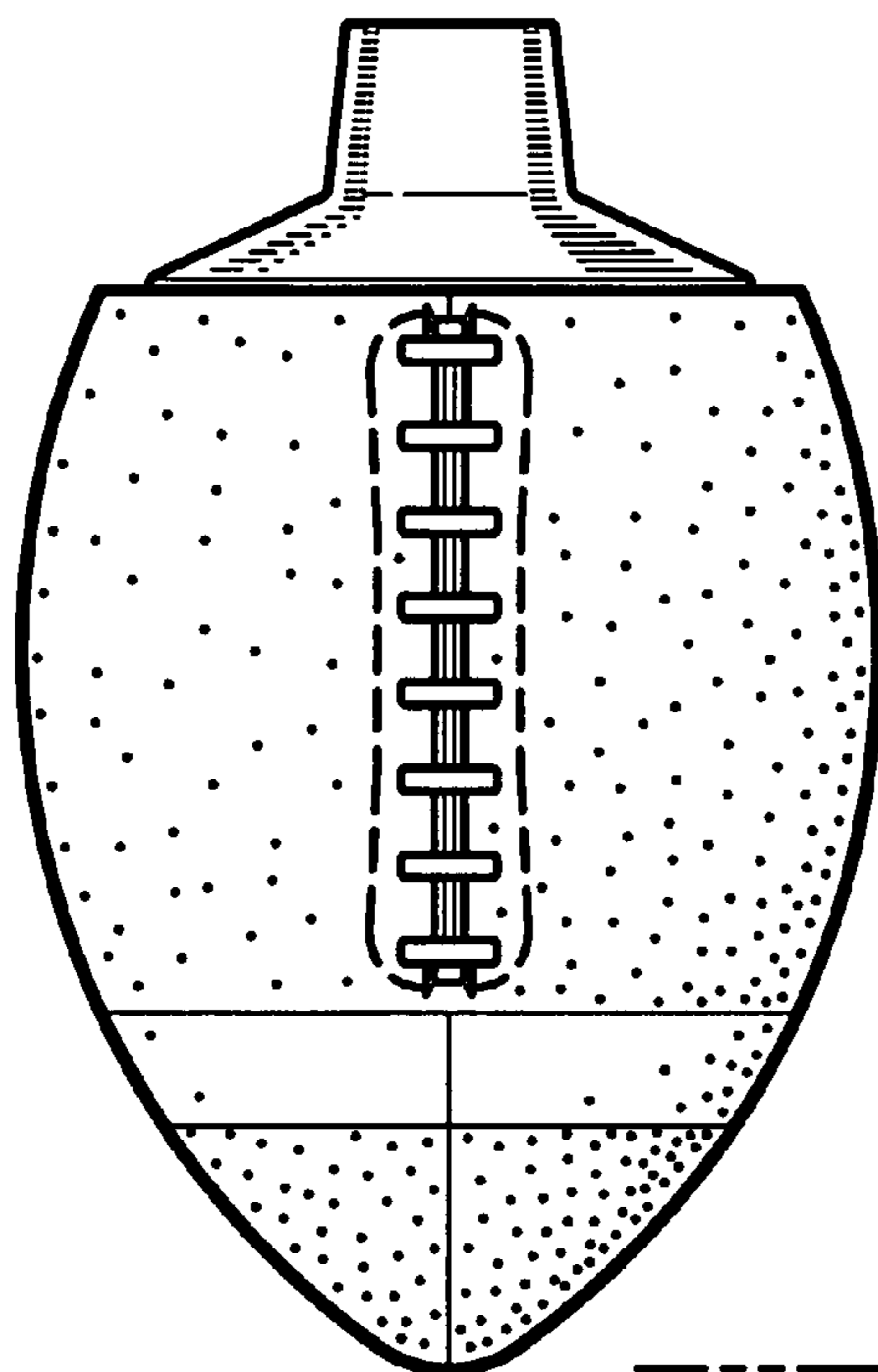
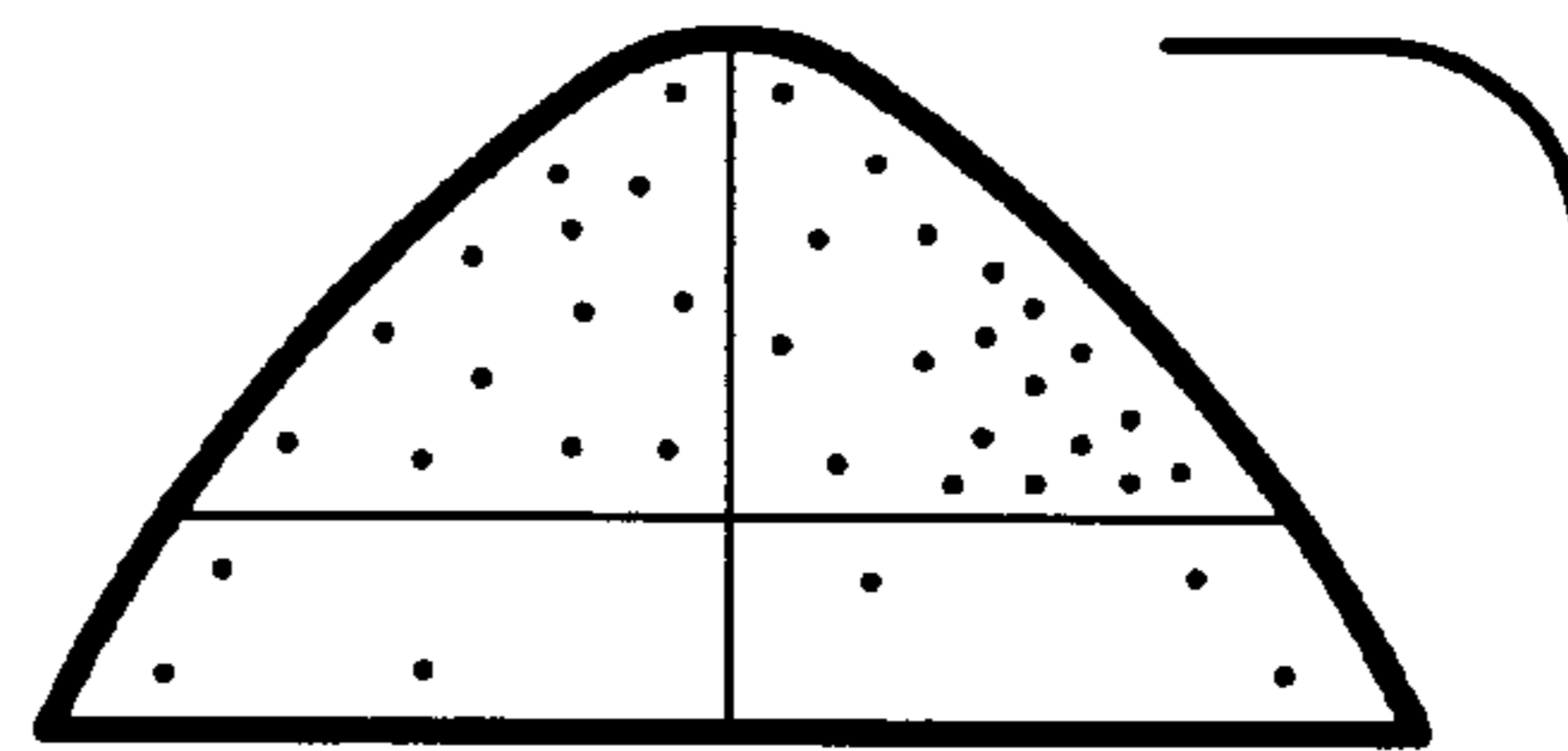


FIG. 5

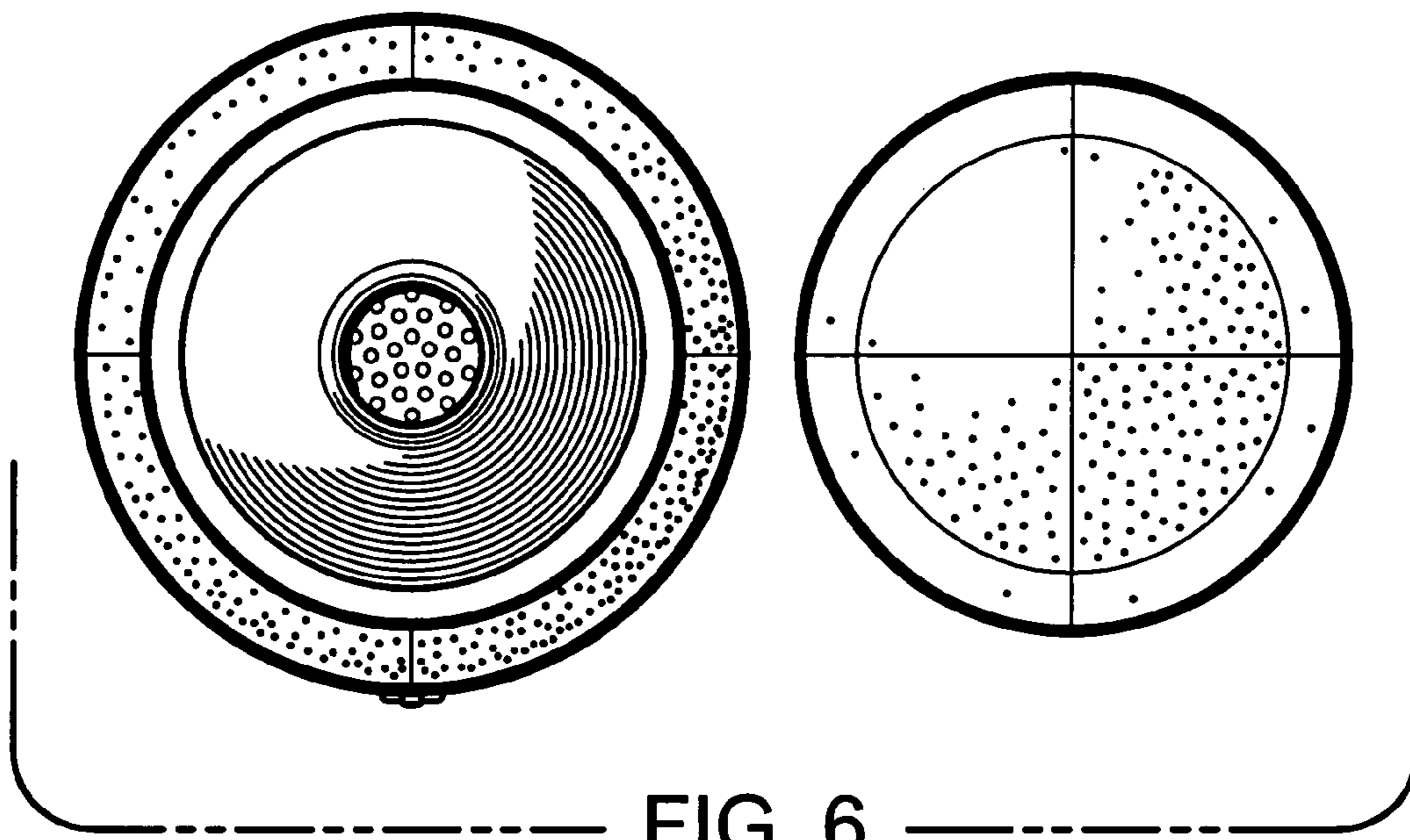


FIG. 6

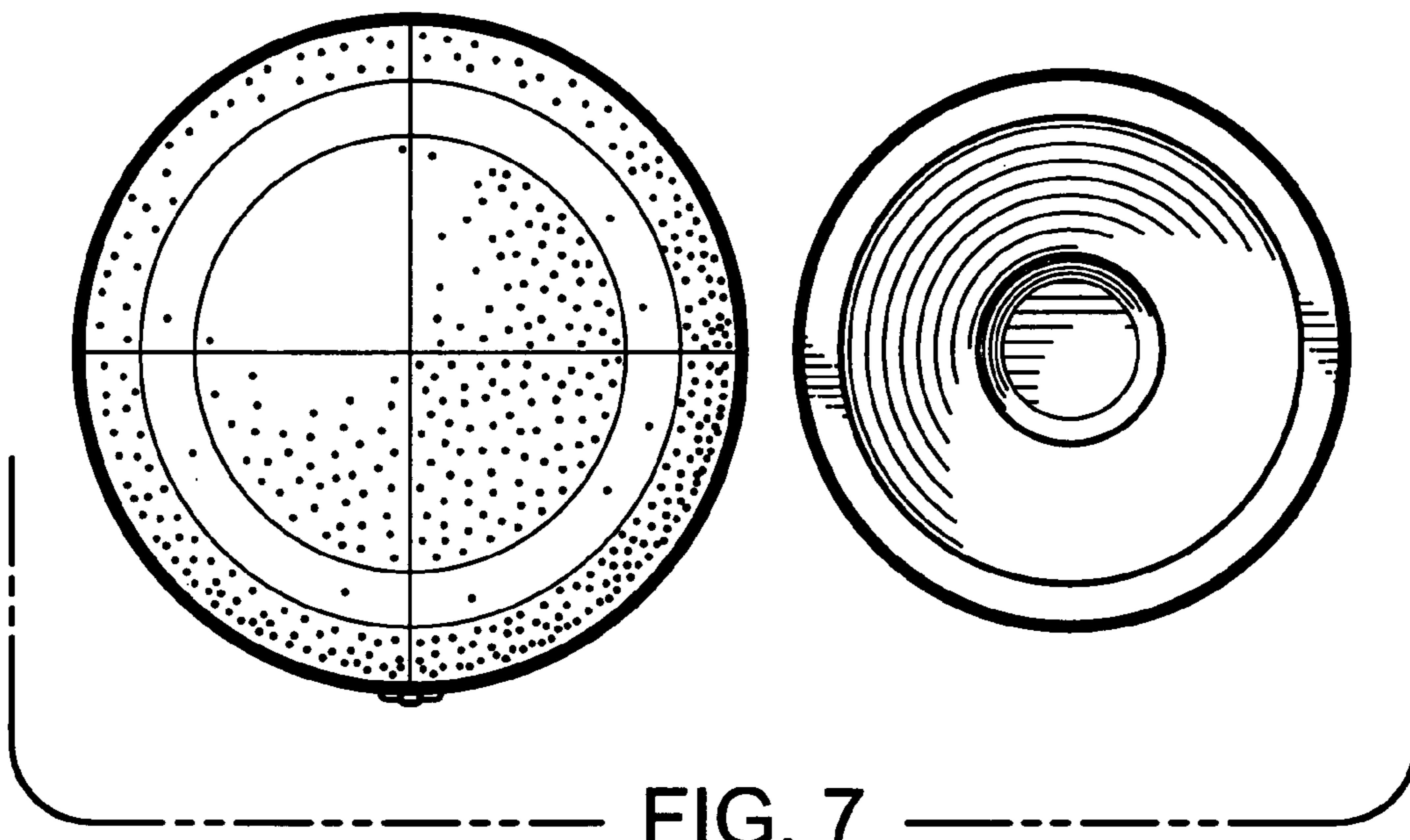


FIG. 7