



US00D587966S

(12) **United States Design Patent**
Martinez et al.

(10) **Patent No.:** **US D587,966 S**
(45) **Date of Patent:** **** Mar. 10, 2009**

(54) **CUP AND TRAY ASSEMBLY**

(75) Inventors: **Gilbert Martinez**, Firestone, CO (US);
Darrell A. Kulzer, Denver, CO (US)

(73) Assignee: **B & R Plastics, Inc.**, Denver, CO (US)

(**) Term: **14 Years**

(21) Appl. No.: **29/283,269**

(22) Filed: **Aug. 9, 2007**

(51) **LOC (9) Cl.** **07-01**

(52) **U.S. Cl.** **D7/505; D7/553.5; D7/553.2**

(58) **Field of Classification Search** D7/213,
D7/300-305, 505-509, 589, 592, 320, 321,
D7/312, 510, 511, 533, 532, 514, 543-548,
D7/534-538, 598, 600, 318, 605, 2, 3, 4,
D7/9, 38, 52, 58, 81, 550.1, 553.1, 553.5,
D7/554.3, 554.4, 619.1, 630; D9/737, 738,
D9/741, 744, 551, 671; D3/202, 30.1, 99,
D3/36; 99/317, 323, 323.3, 285, 321; 100/123;
126/348; 206/217, 541, 150, 501, 45; 211/71,
211/49.1, 53, 74, 77, 78, 79; 215/388, 227-354;
220/592.16, 592.17, 592.2, 592.21, 703-716,
220/735, 28, 23.83, 756, 769, 771, 23.4,
220/23.86; 222/130, 189.07, 108, 500, 129;
248/311.2

See application file for complete search history.

(56) **References Cited**

U.S. PATENT DOCUMENTS

2,619,251 A * 11/1952 Schmidt 220/513
2,728,484 A * 12/1955 Farrington 206/196

3,341,053 A * 9/1967 Keene 220/517
D330,513 S * 10/1992 Gilchrist D7/703
D334,507 S * 4/1993 Erwin D7/605
5,337,984 A * 8/1994 Houck 248/146
5,979,646 A * 11/1999 Strachan 206/217
D428,767 S * 8/2000 Turner, Jr. D7/505
7,048,130 B2 * 5/2006 Hurst 211/74

OTHER PUBLICATIONS

U.S. Appl. No. 29/280,737, filed Jun. 6, 2007.
U.S. Appl. No. 29/283,270, filed Aug. 9, 2007.

* cited by examiner

Primary Examiner—Antoine D Davis

(74) *Attorney, Agent, or Firm*—William W. Cochran;
Cochran Freund & Young LLC

(57) **CLAIM**

The ornamental design for a cup and tray assembly, as shown and described.

DESCRIPTION

FIG. 1 is an isometric view of a cup and tray assembly showing our new design.

FIG. 2 is a front view thereof.

FIG. 3 is a top view thereof.

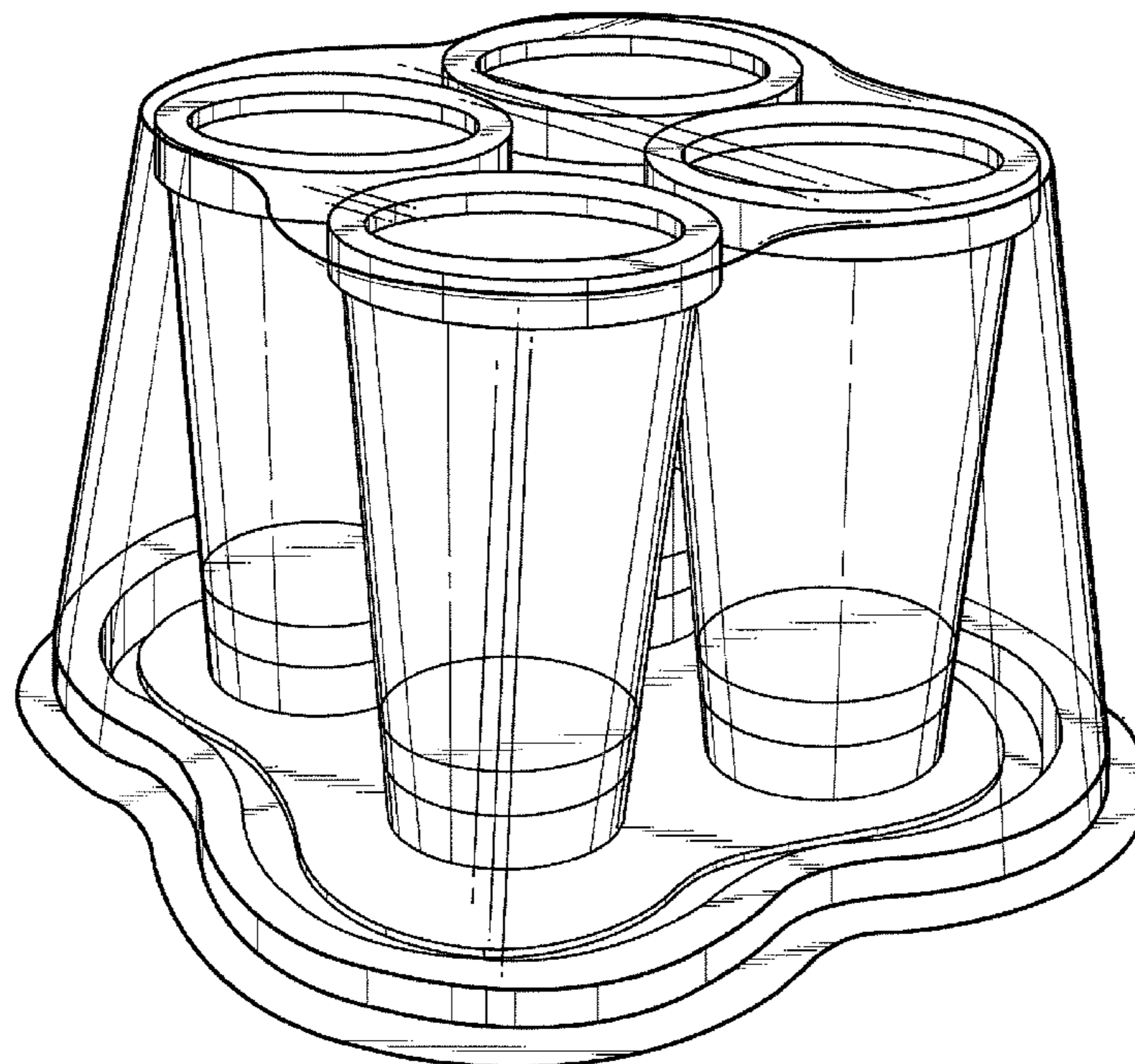
FIG. 4 is a right side view thereof.

FIG. 5 is a left side view thereof.

FIG. 6 is a back view thereof; and,

FIG. 7 is a bottom view thereof.

1 Claim, 7 Drawing Sheets



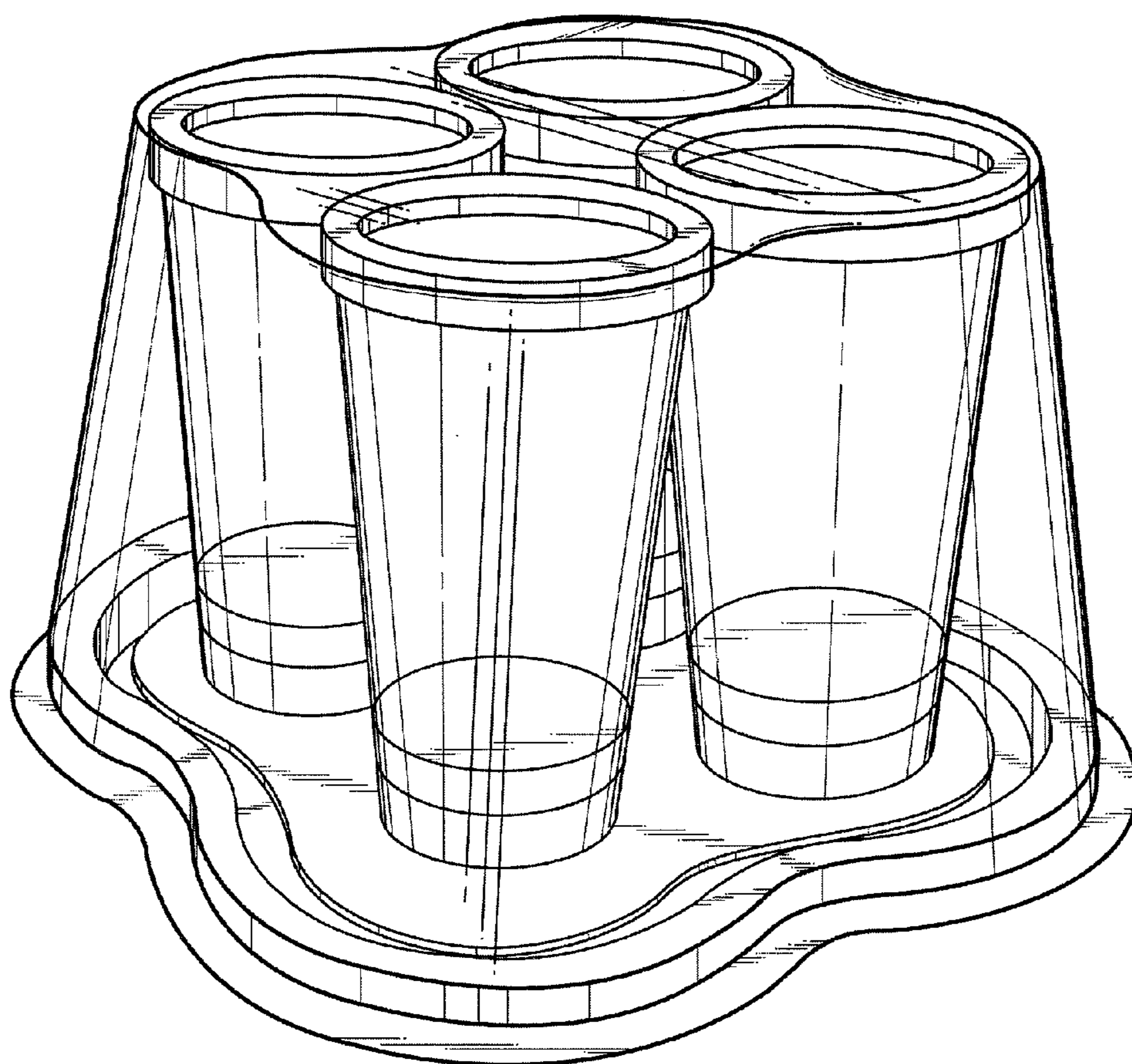


FIG. 1

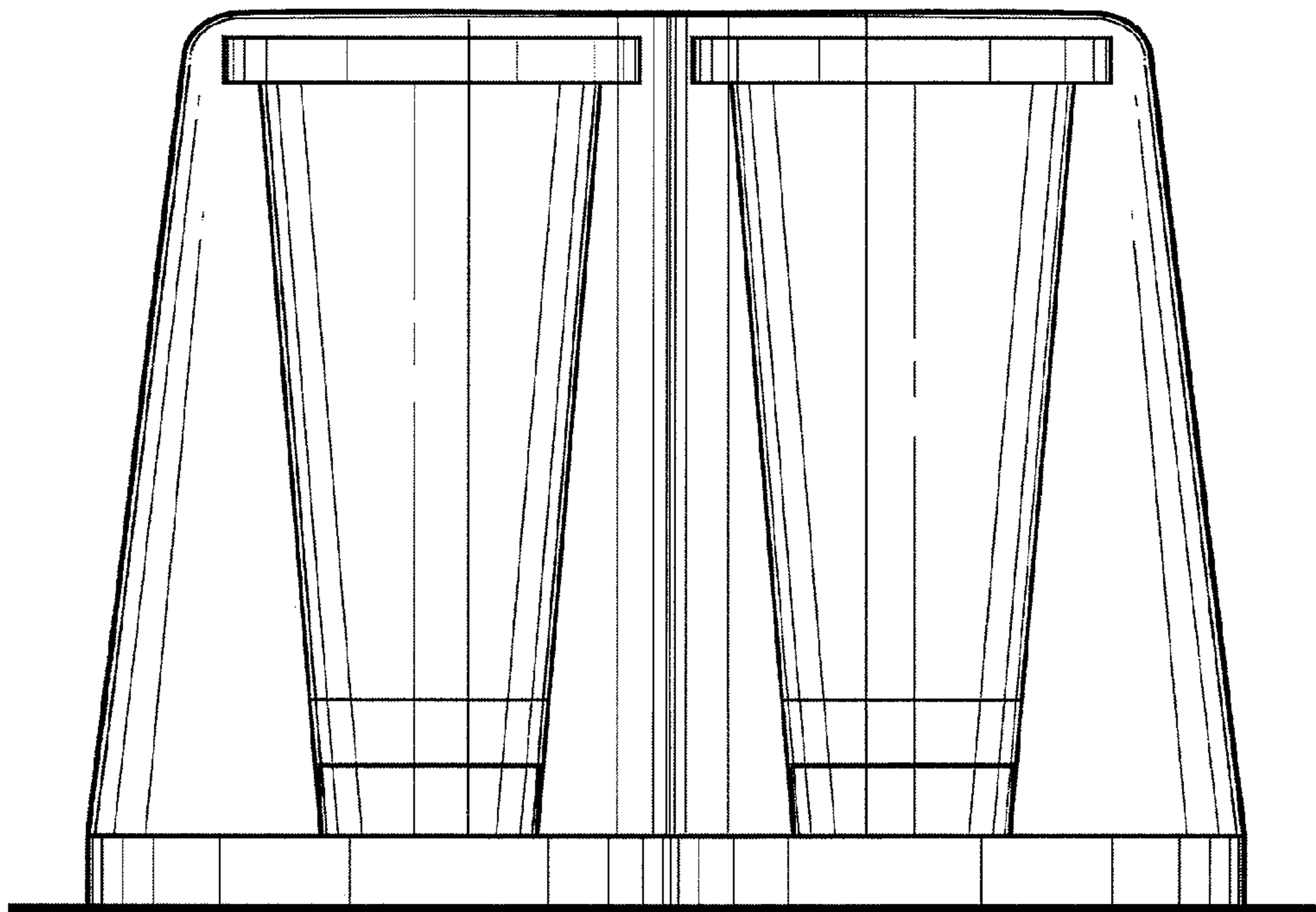


FIG. 2

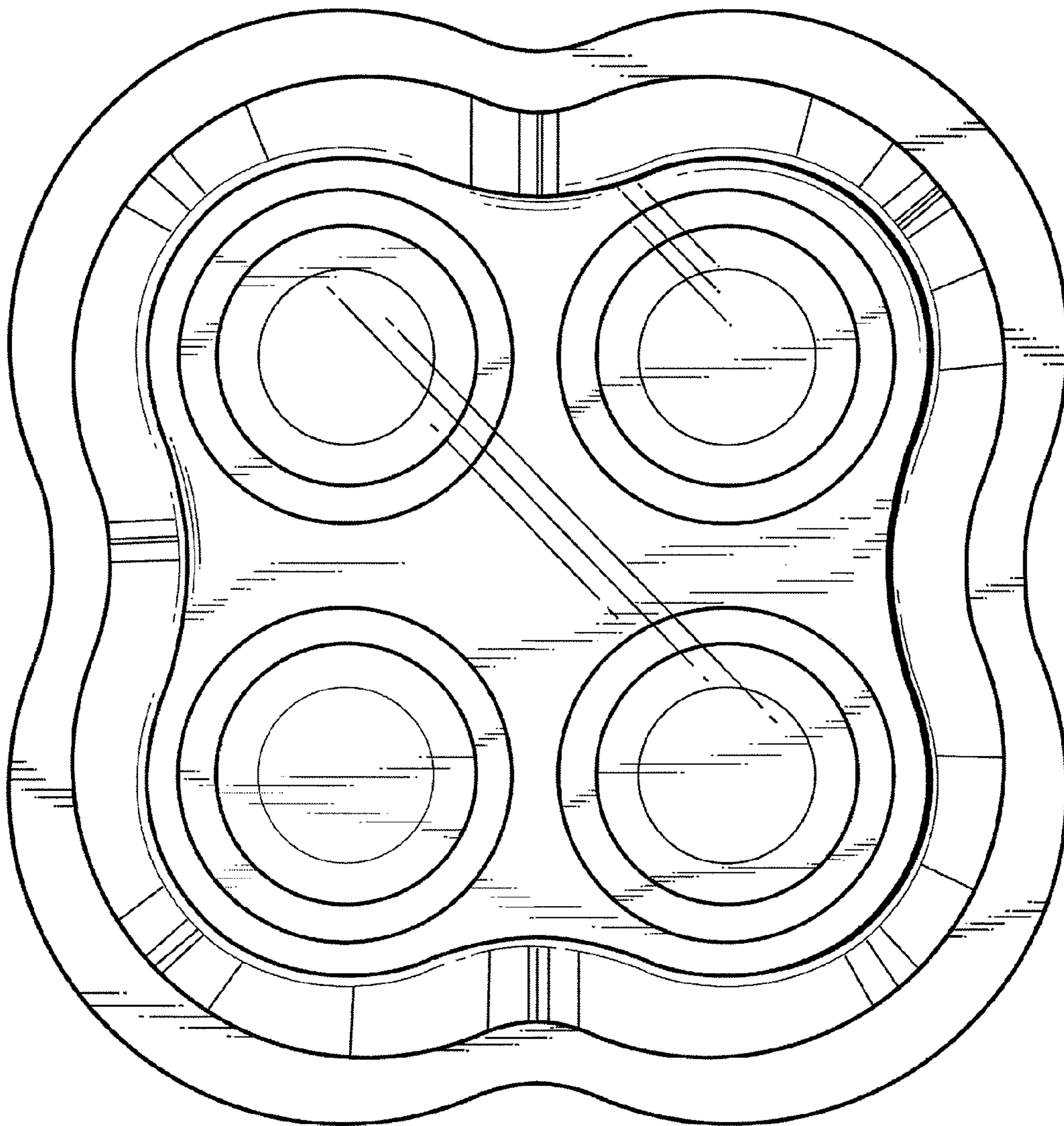


FIG. 3

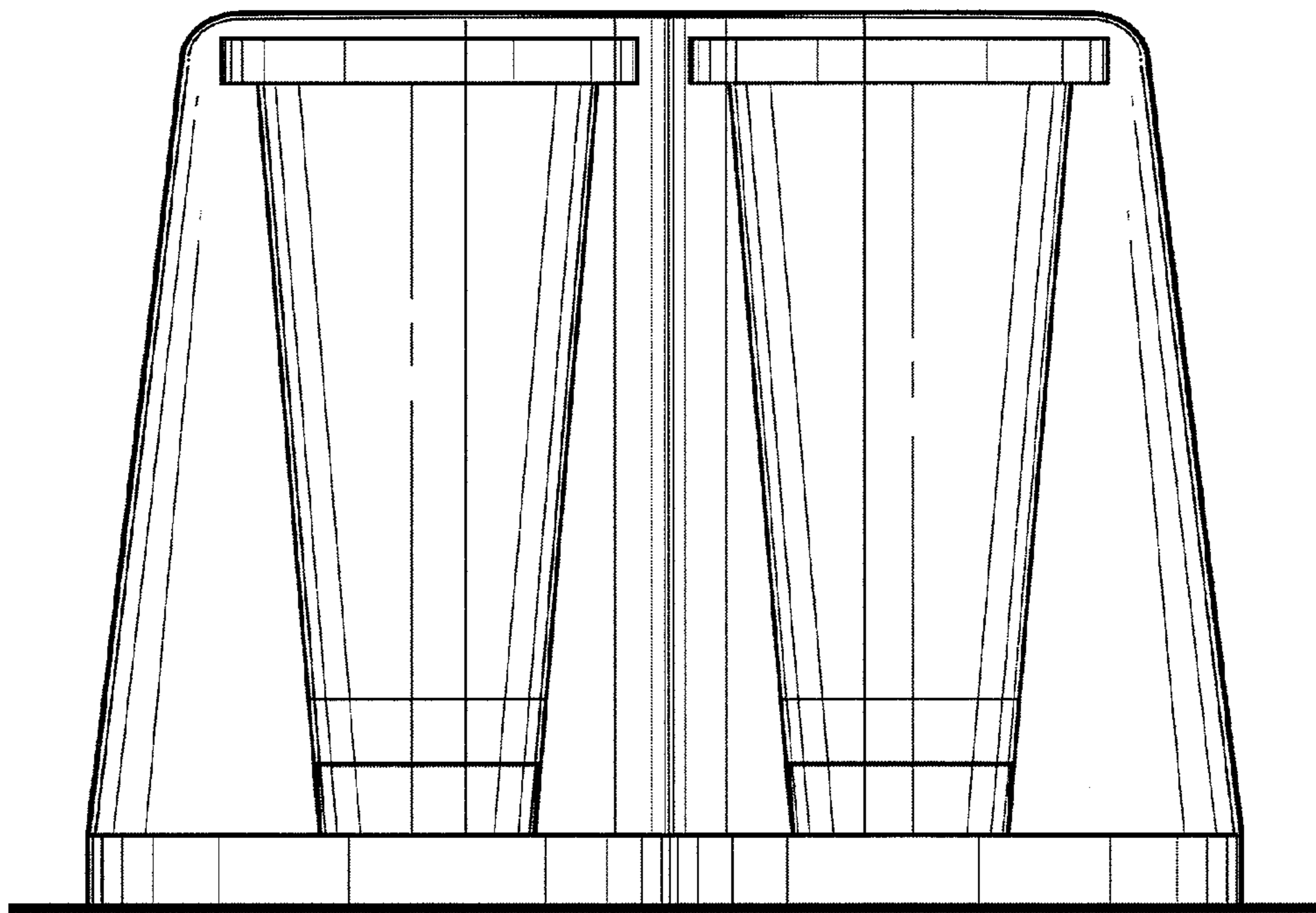


FIG. 4

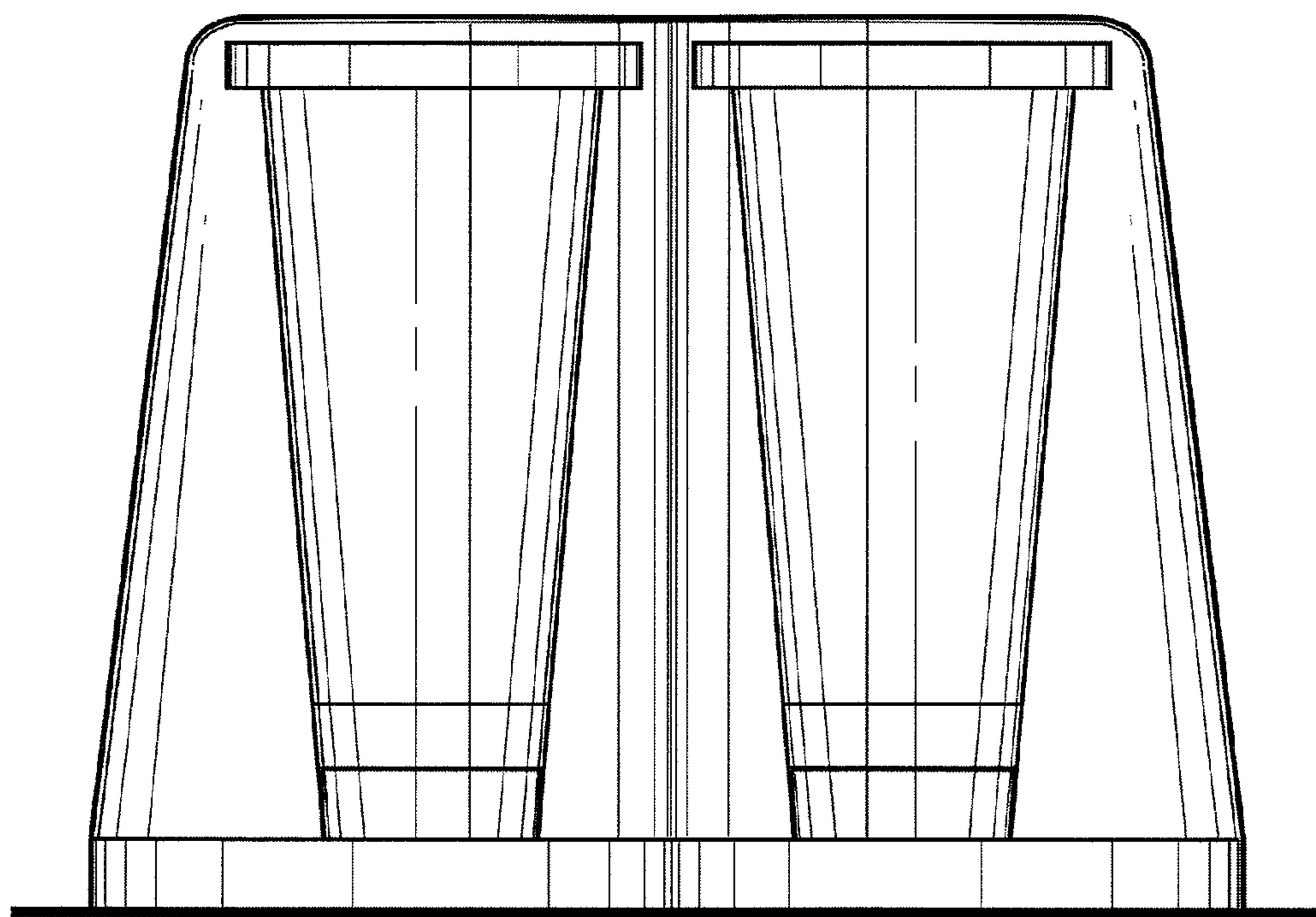


FIG. 5

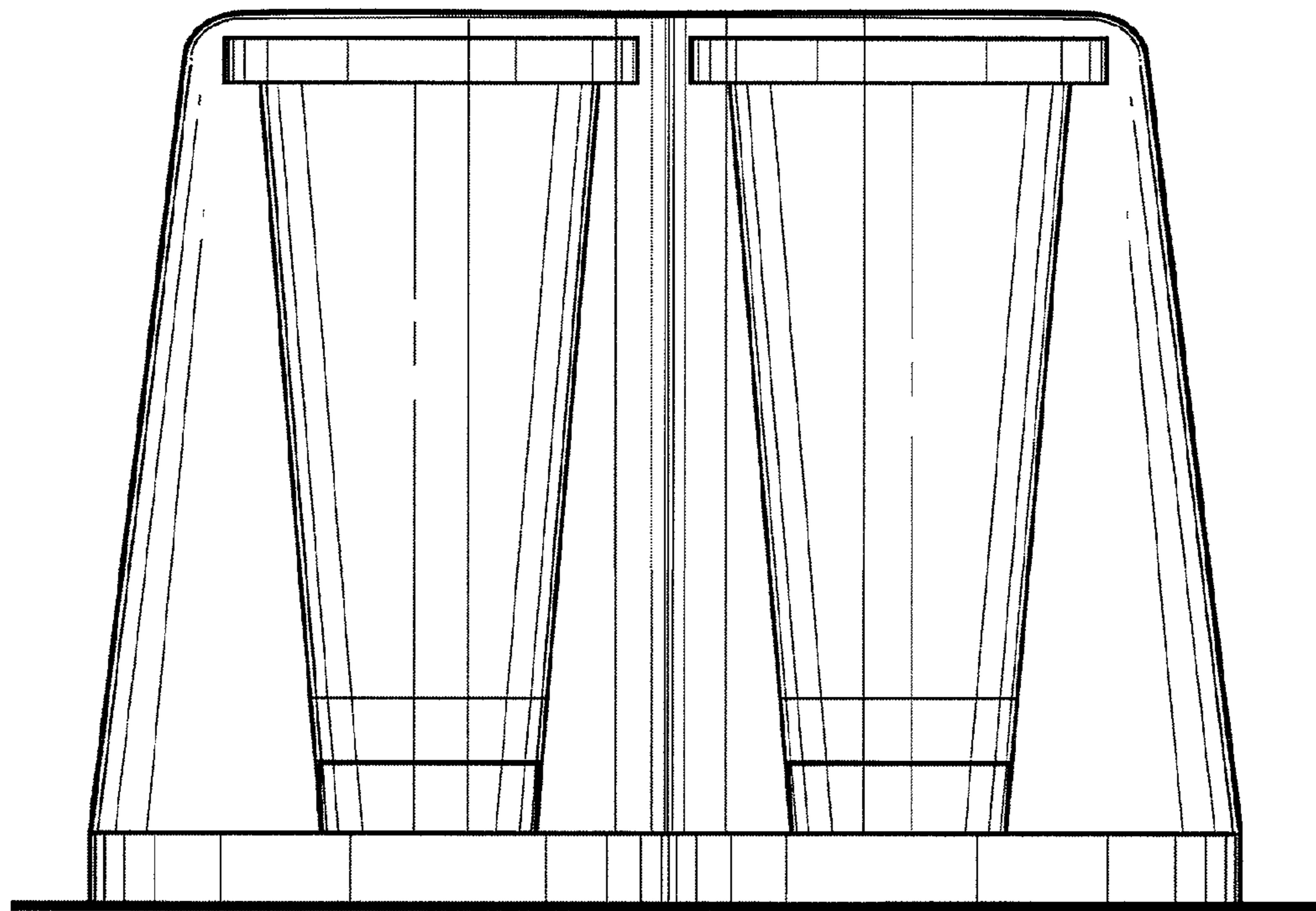


FIG. 6

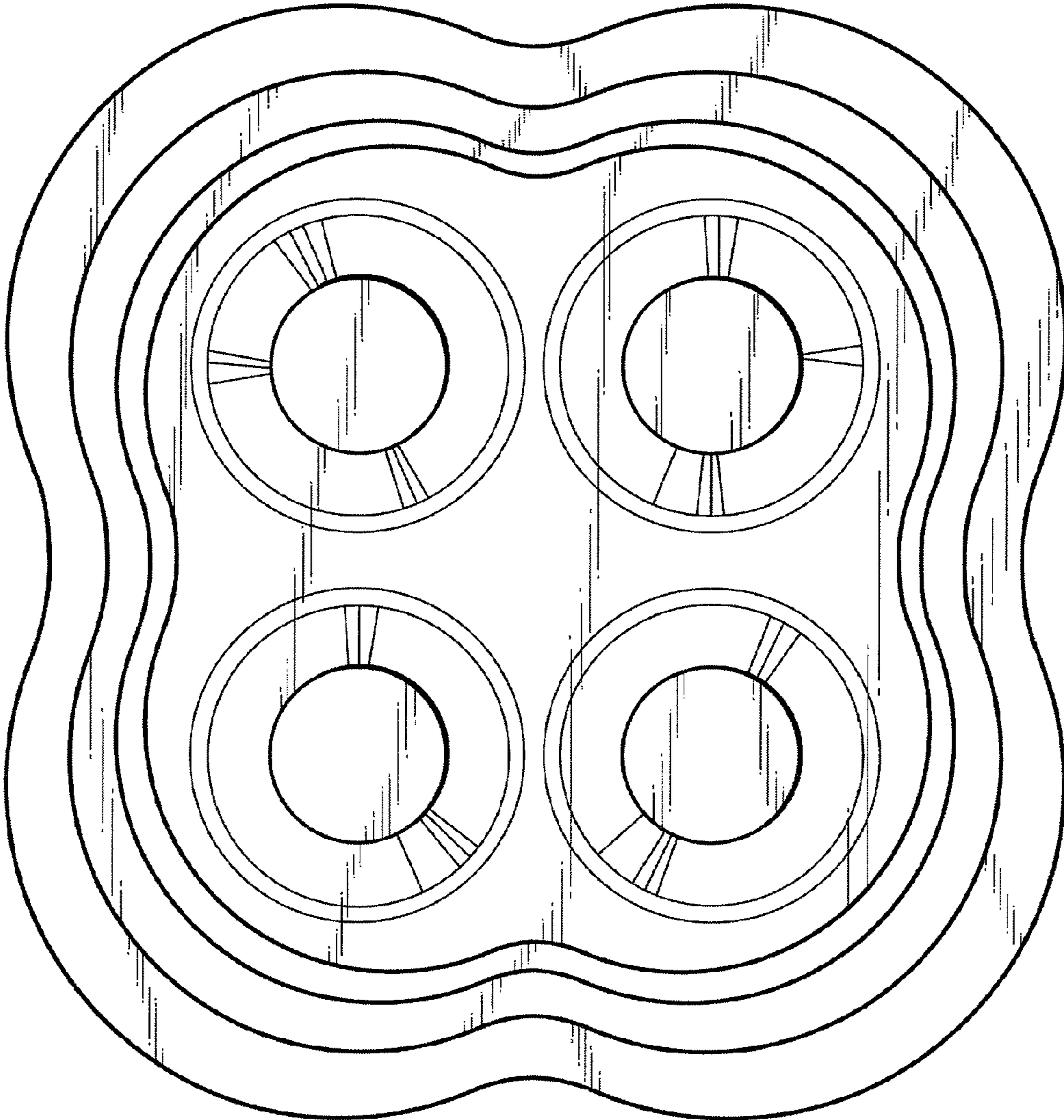


FIG. 7