



US00D587964S

(12) **United States Design Patent**
Thomas

(10) **Patent No.:** **US D587,964 S**
(45) **Date of Patent:** **** Mar. 10, 2009**

(54) **FAUCET HANDLE**

(75) Inventor: **William H. Thomas**, Pawnee, IL (US)

(73) Assignee: **Bunn-O-Matic Corporation**,
Springfield, IL (US)

(**) Term: **14 Years**

(21) Appl. No.: **29/282,694**

(22) Filed: **Jul. 26, 2007**

(51) **LOC (9) Cl.** **07-01**

(52) **U.S. Cl.** **D7/398; D7/397**

(58) **Field of Classification Search** D7/306,
D7/397, 398, 313, 368, 387, 392, 392.1, 395,
D7/300, 311; D20/4; D23/238, 233, 242,
D23/213, 249, 255, 262; 137/600; D6/512,
D6/553; D9/434, 435; 222/222, 255, 481,
222/568, 566, 569

See application file for complete search history.

(56) **References Cited**

U.S. PATENT DOCUMENTS

| | | | | |
|-----------|-----|---------|----------------|--------|
| 2,097,063 | A | 10/1937 | Heller | |
| D159,565 | S * | 8/1950 | Wangelin | D7/398 |
| D187,905 | S * | 5/1960 | Seltsam | D7/398 |
| 3,104,089 | A | 9/1963 | Seltsam | |
| 3,195,566 | A | 7/1965 | Cornelius | |
| 3,207,472 | A | 9/1965 | Seltsam | |
| 3,246,872 | A | 4/1966 | Seltsam | |
| 3,287,796 | A | 11/1966 | Seltsam | |
| 3,301,525 | A | 1/1967 | Chernak et al. | |
| 3,592,219 | A | 7/1971 | Giese | |
| 4,493,443 | A | 1/1985 | Bailey | |
| 4,687,123 | A | 8/1987 | Hyde | |
| D352,637 | S * | 11/1994 | Ugolini | D7/398 |
| D369,937 | S * | 5/1996 | Guadalupi | D7/300 |
| D409,439 | S * | 5/1999 | Precelton | D7/397 |
| 6,070,771 | A | 6/2000 | Hart et al. | |
| 6,089,409 | A | 7/2000 | Hart et al. | |

| | | | | |
|--------------|------|---------|-----------------|---------|
| 6,139,888 | A | 10/2000 | Knepler | |
| 6,176,562 | B1 | 1/2001 | Hart | |
| D450,974 | S * | 11/2001 | Scullion et al. | D7/306 |
| D451,337 | S * | 12/2001 | Sum | D7/387 |
| 6,702,159 | B2 | 3/2004 | Itou et al. | |
| D493,331 | S | 7/2004 | Munoz | |
| 6,808,088 | B2 | 10/2004 | Chiu | |
| 6,868,994 | B2 | 3/2005 | Kawolics | |
| D506,529 | S * | 6/2005 | Roethel | D23/252 |
| 7,000,468 | B2 * | 2/2006 | Doorhy et al. | 73/301 |
| 2008/0135117 | A1 * | 6/2008 | Hansson et al. | 137/600 |

OTHER PUBLICATIONS

U.S. Trademark Reg. No. 1,261,623, Meyer Company (Dec. 20, 1983).

U.S. Trademark Reg. No. 2,058,539, Meyer Company (May 6, 1997).

* cited by examiner

Primary Examiner—Philip S Hyder

Assistant Examiner—Cynthia Underwood

(74) *Attorney, Agent, or Firm*—Barnes & Thornburg LLP

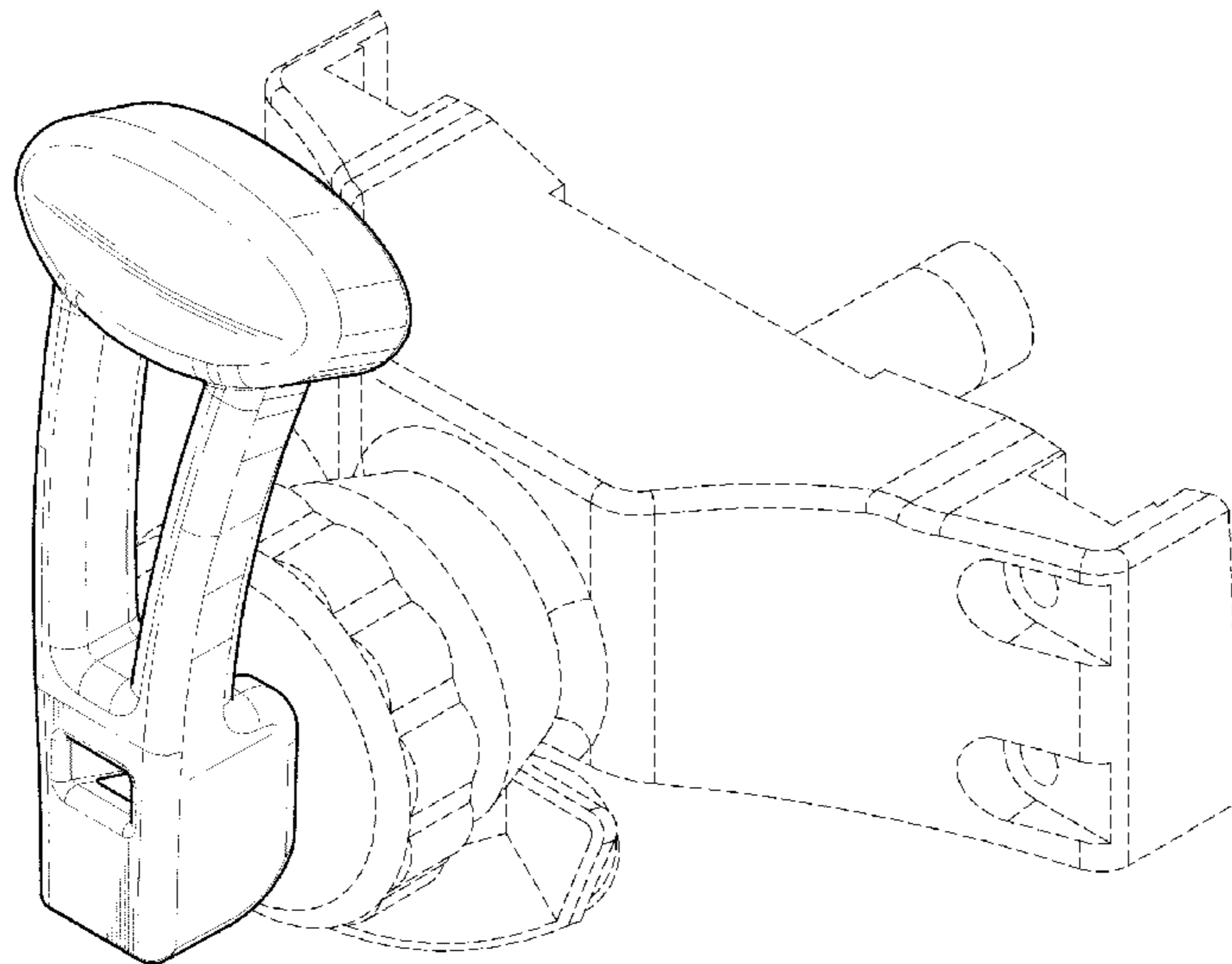
(57) **CLAIM**

What is claimed is the ornamental design for a faucet handle, as shown and described.

DESCRIPTION

FIG. 1 is a perspective view of a faucet handle on a faucet; FIG. 2 is an enlarged perspective view of the faucet handle; FIG. 3 is a front view of the faucet handle; FIG. 4 is a right side view thereof, the left side being a mirror image thereof; FIG. 5 is a top view thereof; FIG. 6 is a bottom view thereof; and, FIG. 7 is a rear view thereof. The portions shown in broken lines are included to show environment and form no part of the claimed design.

1 Claim, 6 Drawing Sheets



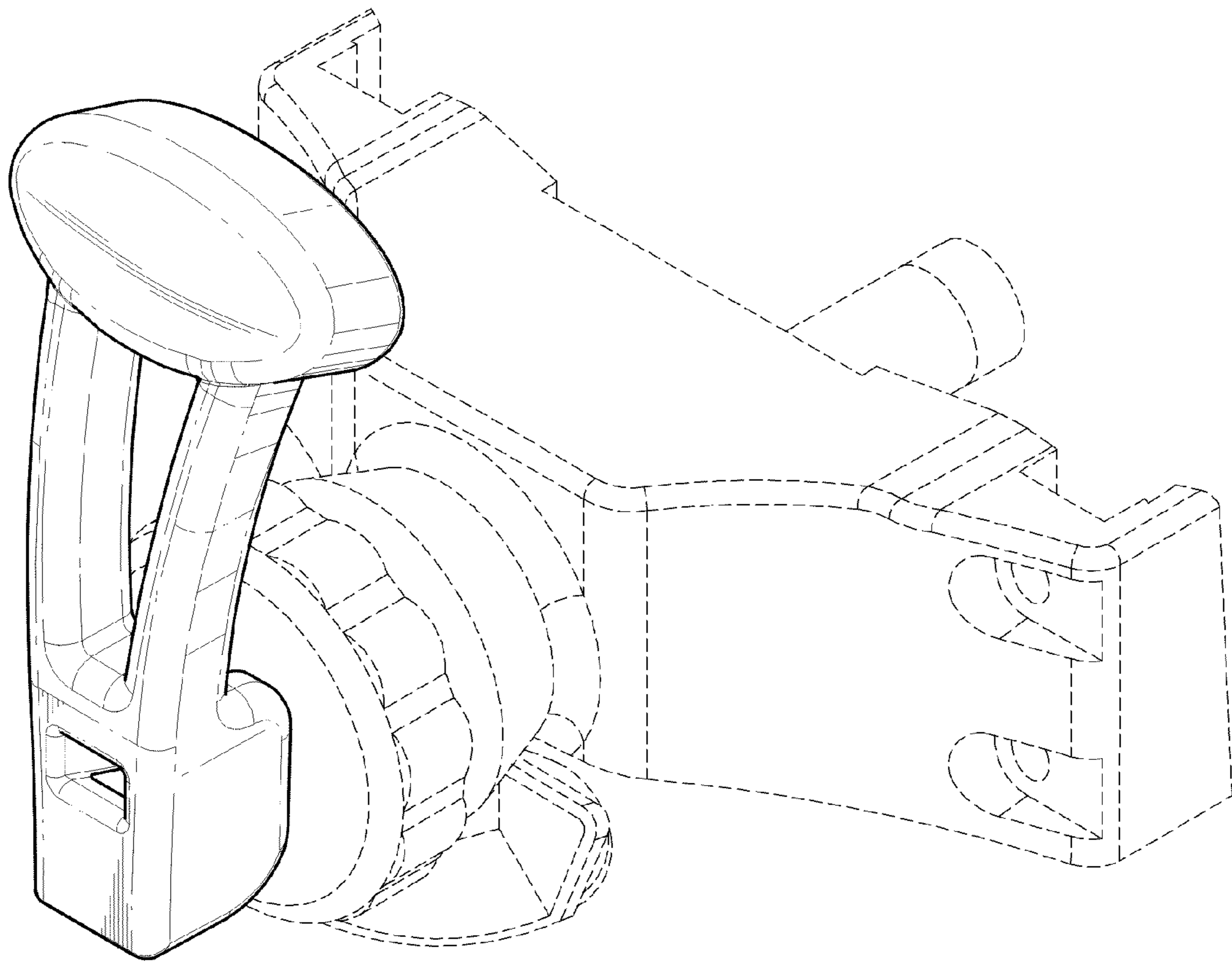


FIG. 1

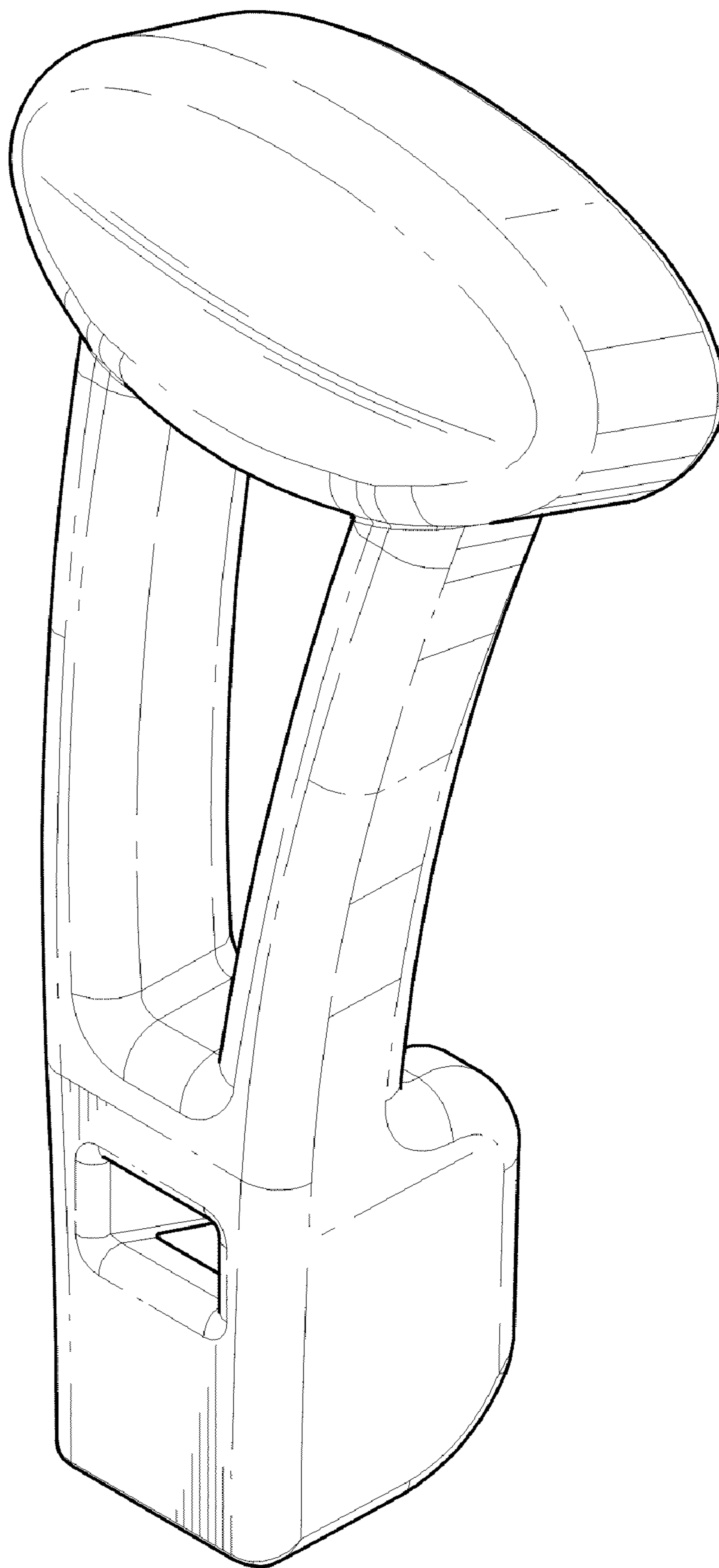


FIG. 2

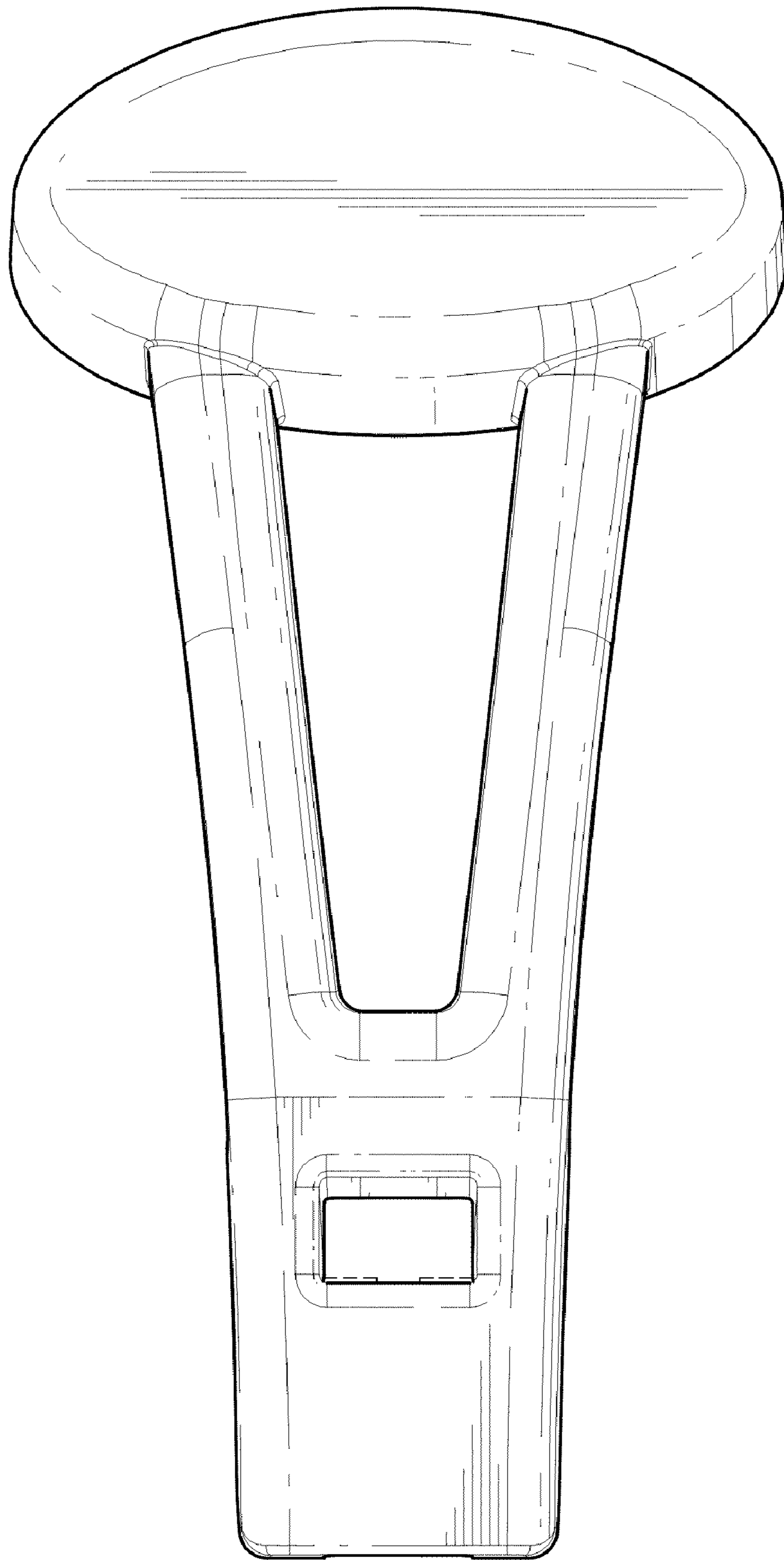


FIG. 3

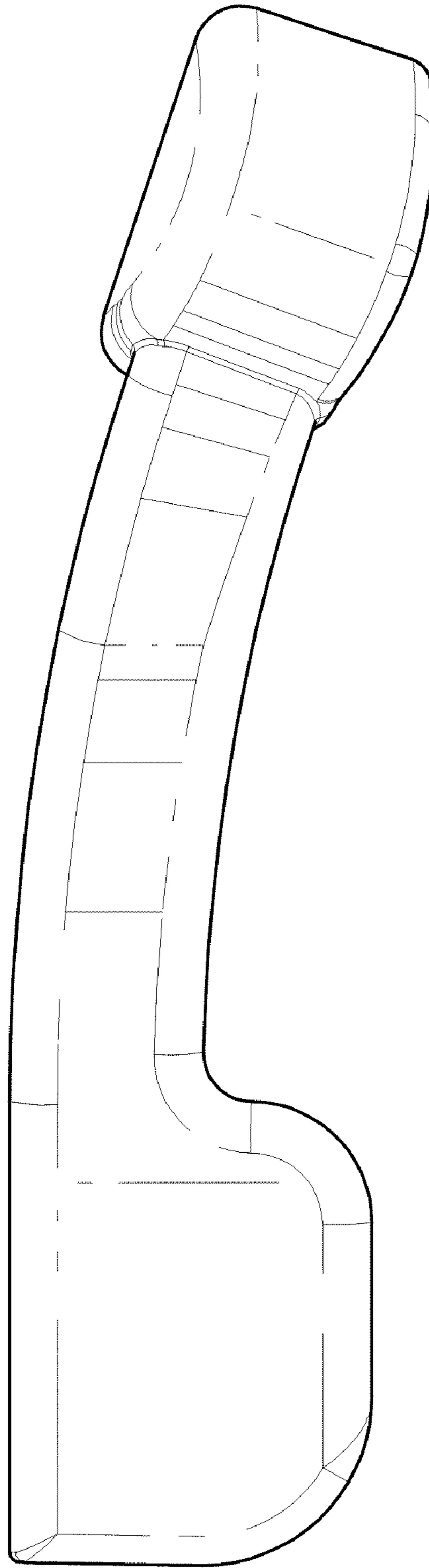


FIG. 4

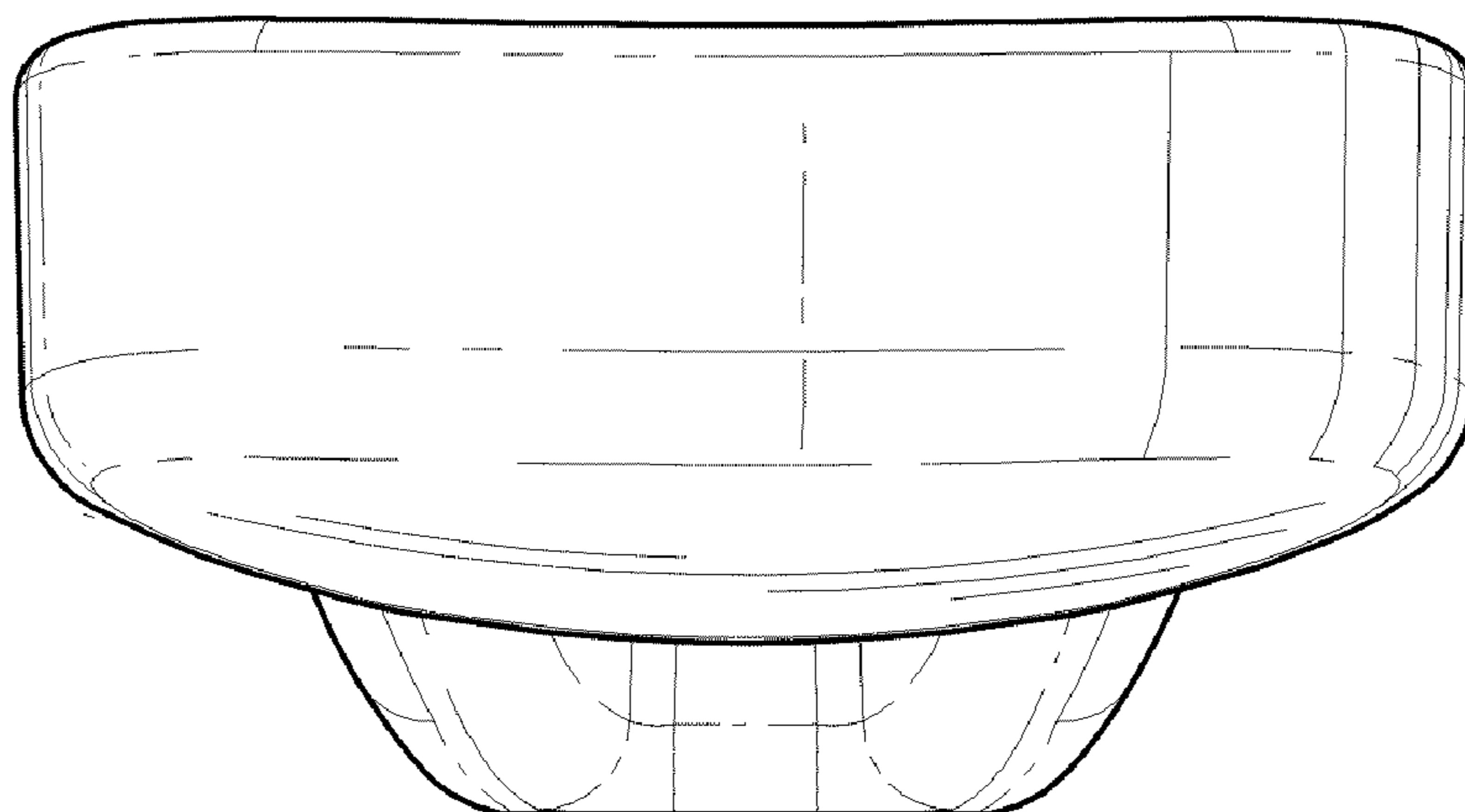


FIG. 5

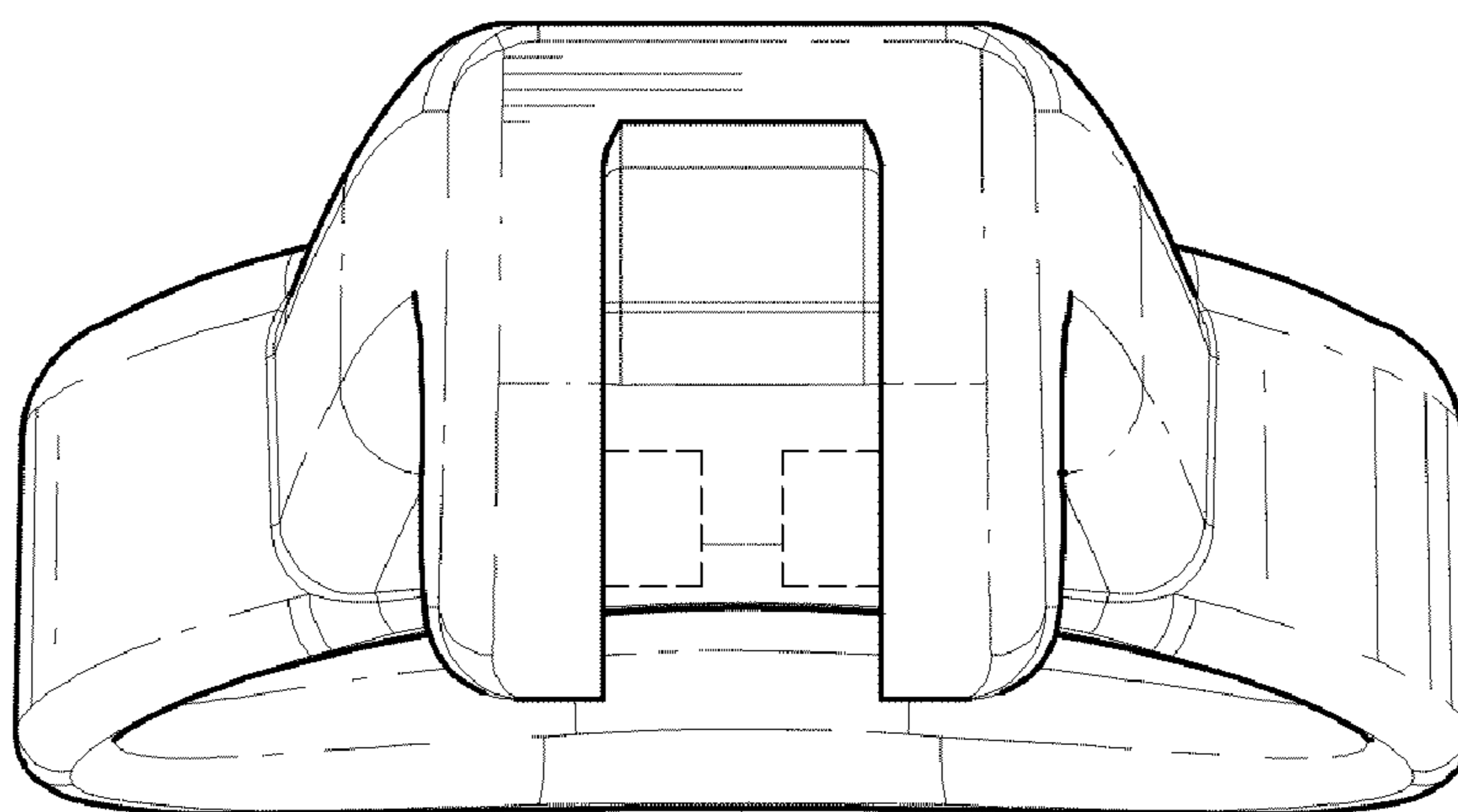


FIG. 6

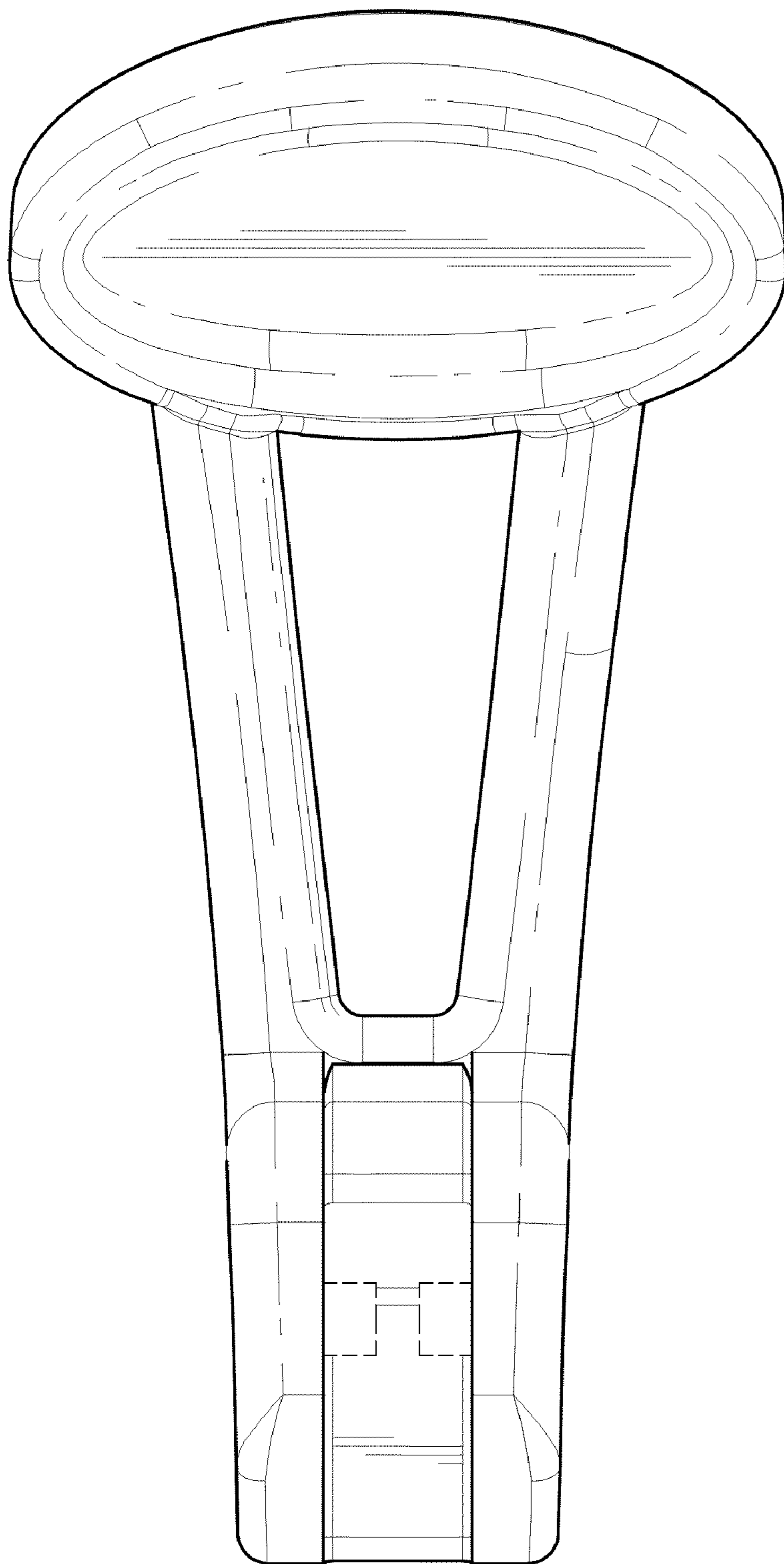


FIG. 7