



US00D587962S

(12) **United States Design Patent**  
**Picozza et al.**

(10) **Patent No.:** **US D587,962 S**  
(45) **Date of Patent:** **\*\* Mar. 10, 2009**

- (54) **STAND MIXER**
- (75) Inventors: **Augusto Picozza**, Boca Raton, FL (US);  
**Giovanni Pino**, Delray Beach, FL (US);  
**Scott Henderson**, Brooklyn, NY (US)
- (73) Assignee: **Sunbeam Products, Inc.**, Boca Raton,  
FL (US)
- (\*\*) Term: **14 Years**
- (21) Appl. No.: **29/327,695**
- (22) Filed: **Nov. 11, 2008**
- (51) **LOC (9) Cl.** ..... **31-00**
- (52) **U.S. Cl.** ..... **D7/379**
- (58) **Field of Classification Search** ..... D7/317-318,  
D7/356, 376-386, 392, 412-415, 665; 15/246;  
99/348, 495, 501-502, 509-511; 241/30-37.5,  
241/101.01-101.2, 127, 166-169.1, 274-278.2,  
241/285.1-285.3, 291, 292.1; 248/131; 310/68 R;  
366/64-69, 98, 192, 197-211, 205-206,  
366/241-254, 279-292, 341-344; 388/800  
See application file for complete search history.

(56) **References Cited**

U.S. PATENT DOCUMENTS

2,070,768	A *	2/1937	Wright	99/495
D110,579	S *	7/1938	Chapman	D7/379
2,179,745	A *	11/1939	Kochner	99/501
D120,342	S *	5/1940	Geiger et al.	D7/379
2,488,364	A *	11/1949	Zilliotto	D88/800
D167,149	S *	7/1952	Jepson	D7/379
2,648,514	A *	8/1953	Rosier et al.	248/131
2,676,760	A *	4/1954	Simpson	241/127
2,719,702	A *	10/1955	Brace	366/197
2,789,798	A *	4/1957	Brace	366/199
D182,885	S *	5/1958	Ernest	D7/379
2,877,001	A *	3/1959	Kaufman	366/201
D188,283	S *	6/1960	Jepson et al.	D7/379
D194,473	S *	1/1963	Reed	D7/379
D195,425	S *	6/1963	Reed	D7/379
3,097,318	A *	7/1963	Jepson	310/68 R

3,187,366	A *	6/1965	Fant	15/246
3,198,490	A *	8/1965	Jepson et al.	366/344
3,275,051	A *	9/1966	Jepson et al.	99/502
3,333,824	A *	8/1967	Jepson et al.	366/344
D208,805	S *	10/1967	De Fano	D7/379
D210,682	S *	4/1968	De Fano	D7/379
3,904,178	A *	9/1975	Scott et al.	366/199
D255,760	S *	7/1980	Ernest et al.	D7/379
4,277,181	A *	7/1981	Stahly et al.	366/69
4,568,193	A *	2/1986	Contri et al.	366/206
D384,549	S *	10/1997	Cesaroni et al.	D7/379
D395,572	S *	6/1998	Carroll et al.	D7/379
5,782,558	A *	7/1998	Roberts	366/199
D453,444	S *	2/2002	Garman	D7/379
D465,698	S *	11/2002	Allan	D7/379
D533,021	S *	12/2006	Koszalinski et al.	D7/379
D540,114	S *	4/2007	Picozza et al.	D7/379
D540,115	S *	4/2007	Picozza et al.	D7/379

\* cited by examiner

*Primary Examiner*—Caron Veynar  
*Assistant Examiner*—Ricky Pham  
(74) *Attorney, Agent, or Firm*—Seth Blum

(57) **CLAIM**

The ornamental design for a stand mixer, as shown and described.

**DESCRIPTION**

FIG. 1 is a front right perspective view of the stand mixer showing the new design;  
FIG. 2 is a front elevation view thereof;  
FIG. 3 is a back elevation view thereof;  
FIG. 4 is a right side elevation view thereof;  
FIG. 5 is a left side elevation view thereof;  
FIG. 6 is a top plan view elevation thereof; and,  
FIG. 7 is a bottom plan view thereof.

The broken lines in the drawings are for illustrative purposes only and form no part of the claimed design.

**1 Claim, 3 Drawing Sheets**

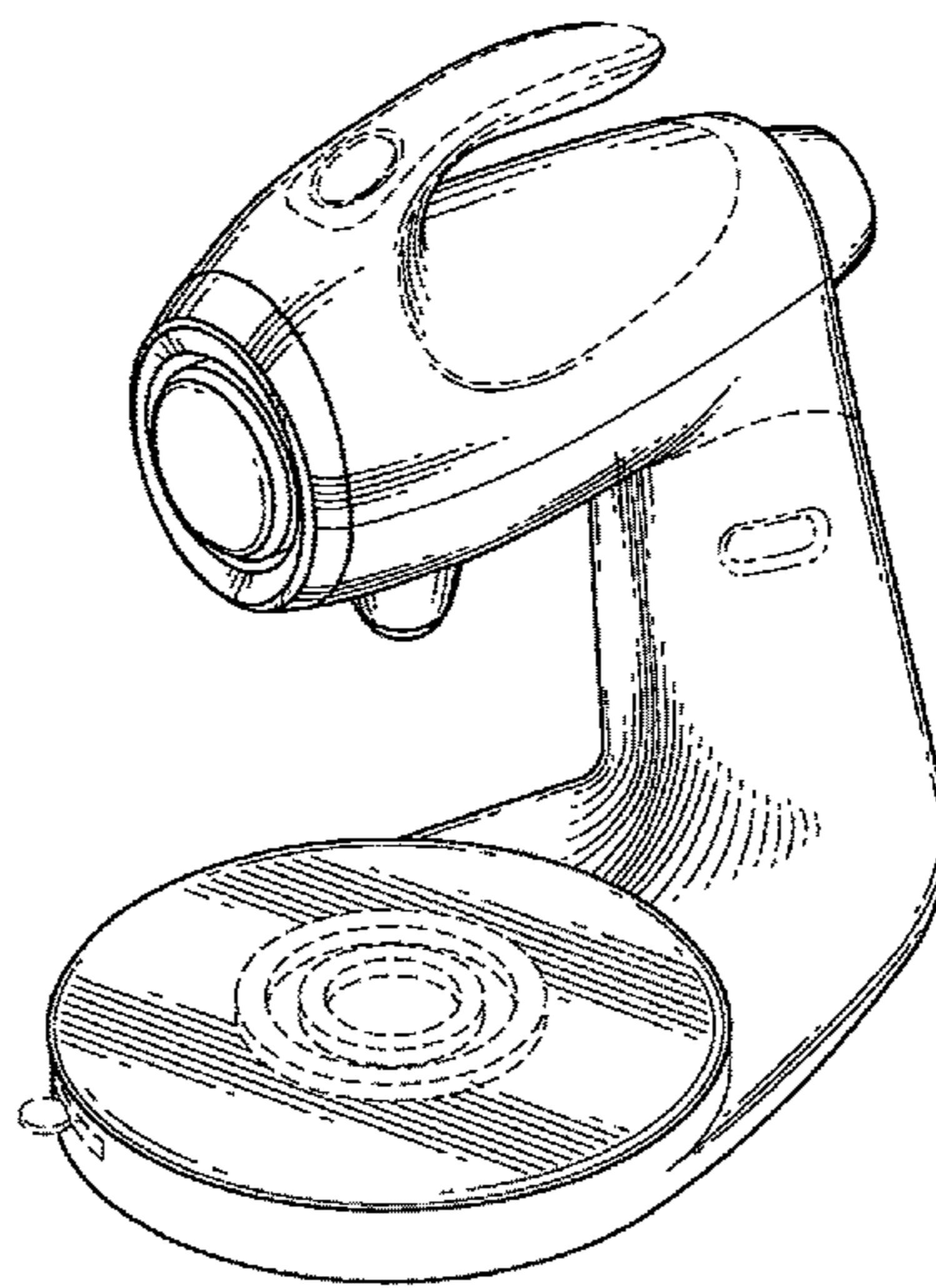


FIG. 1

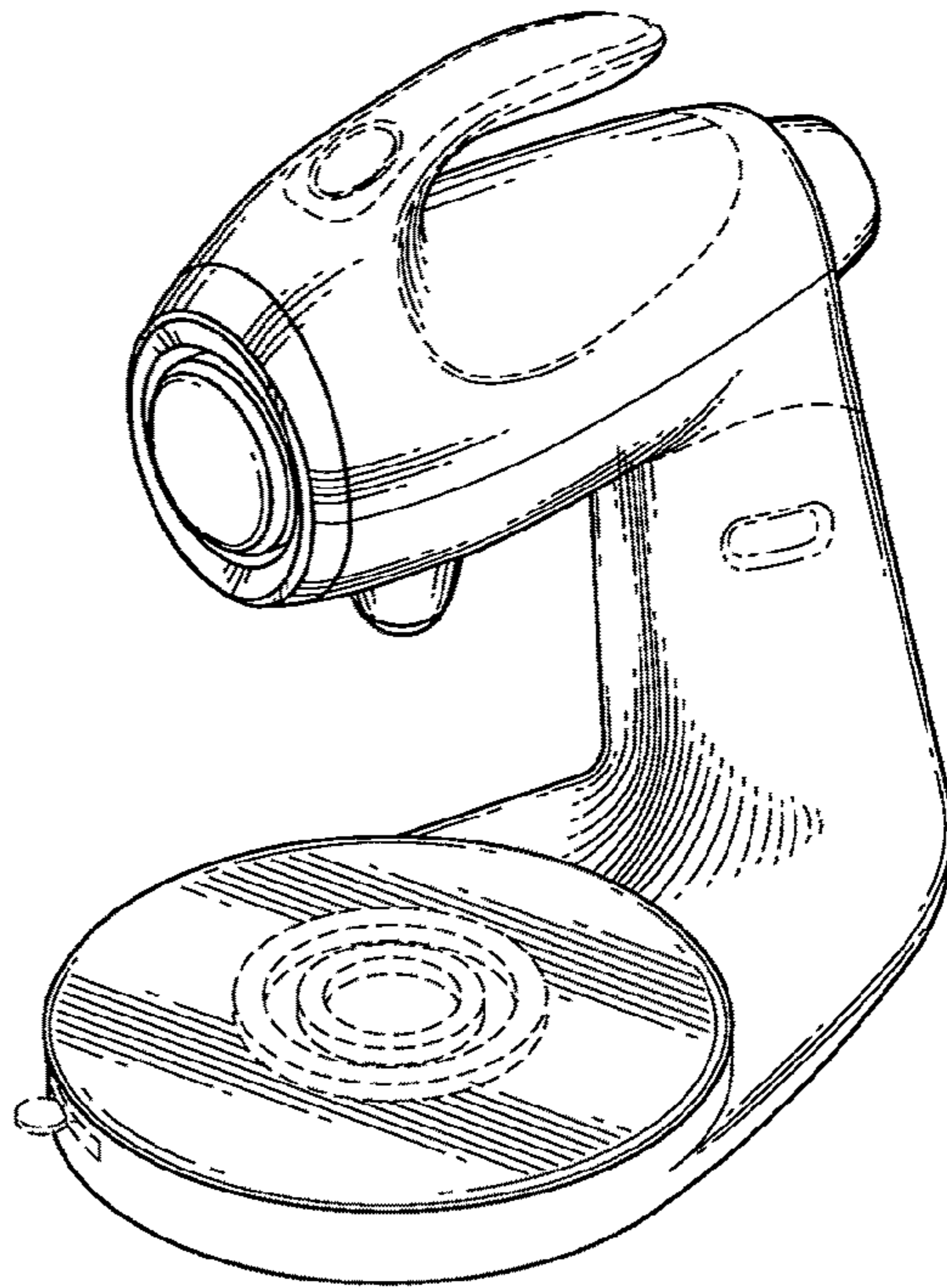


FIG. 2

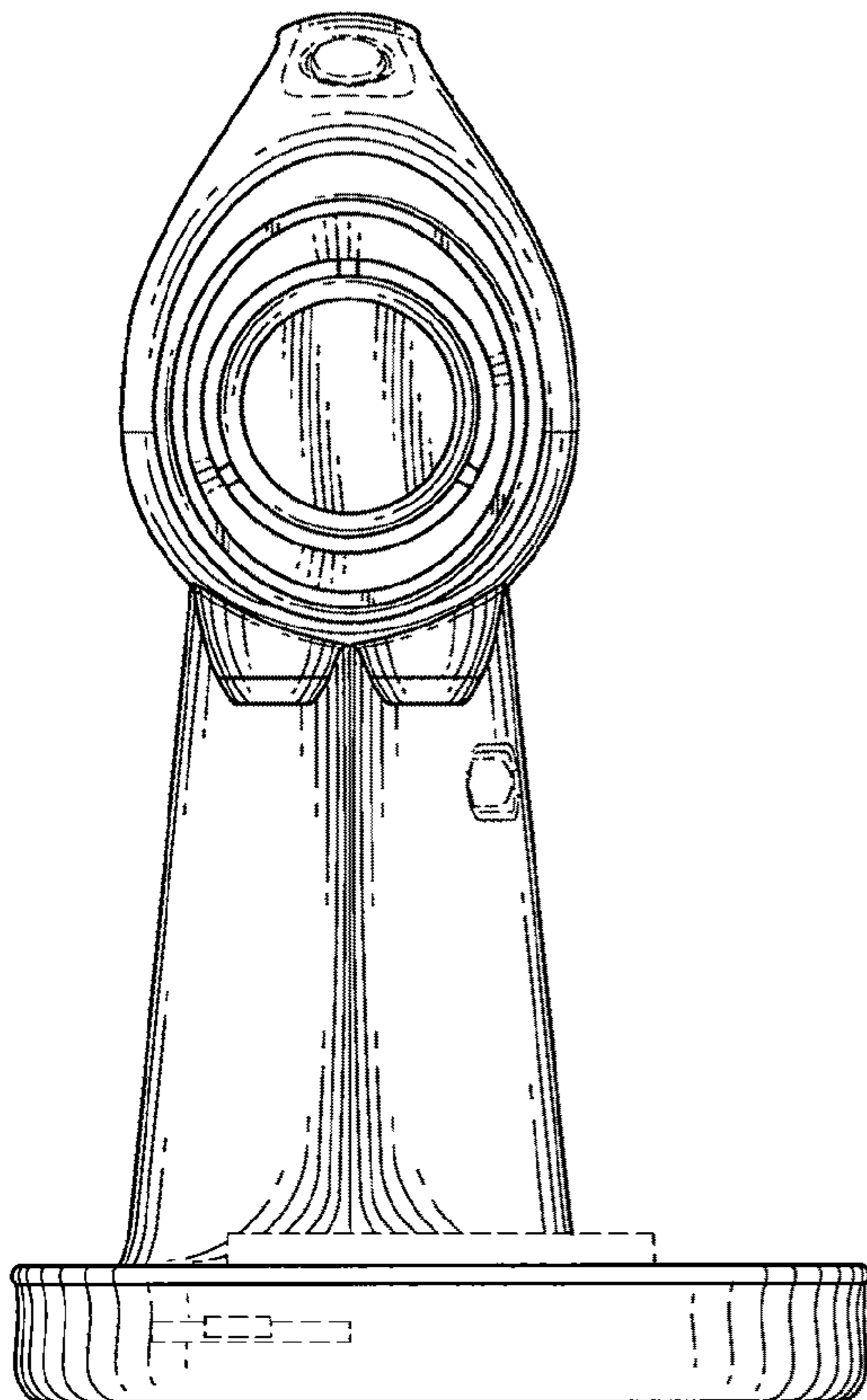
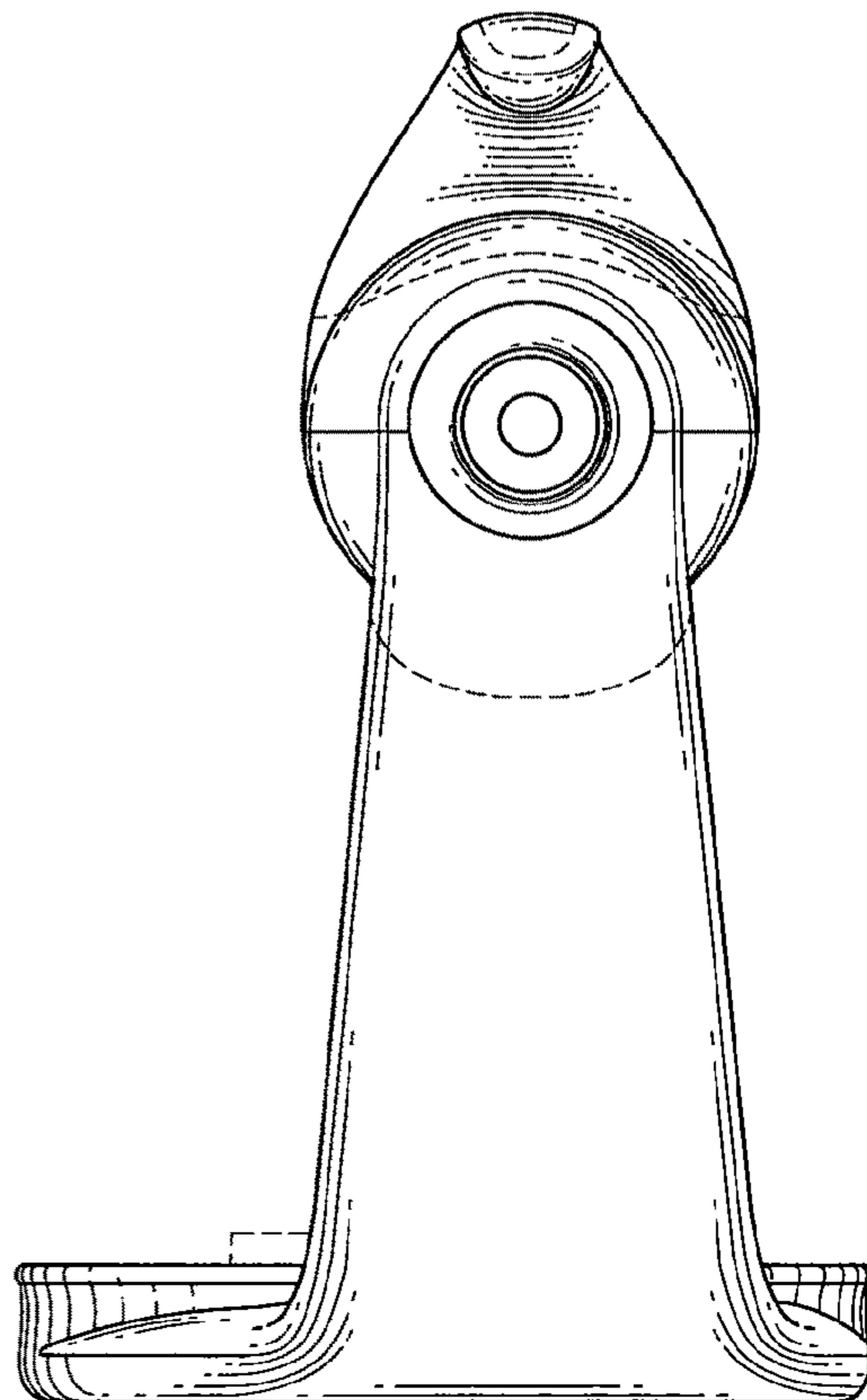


FIG. 3



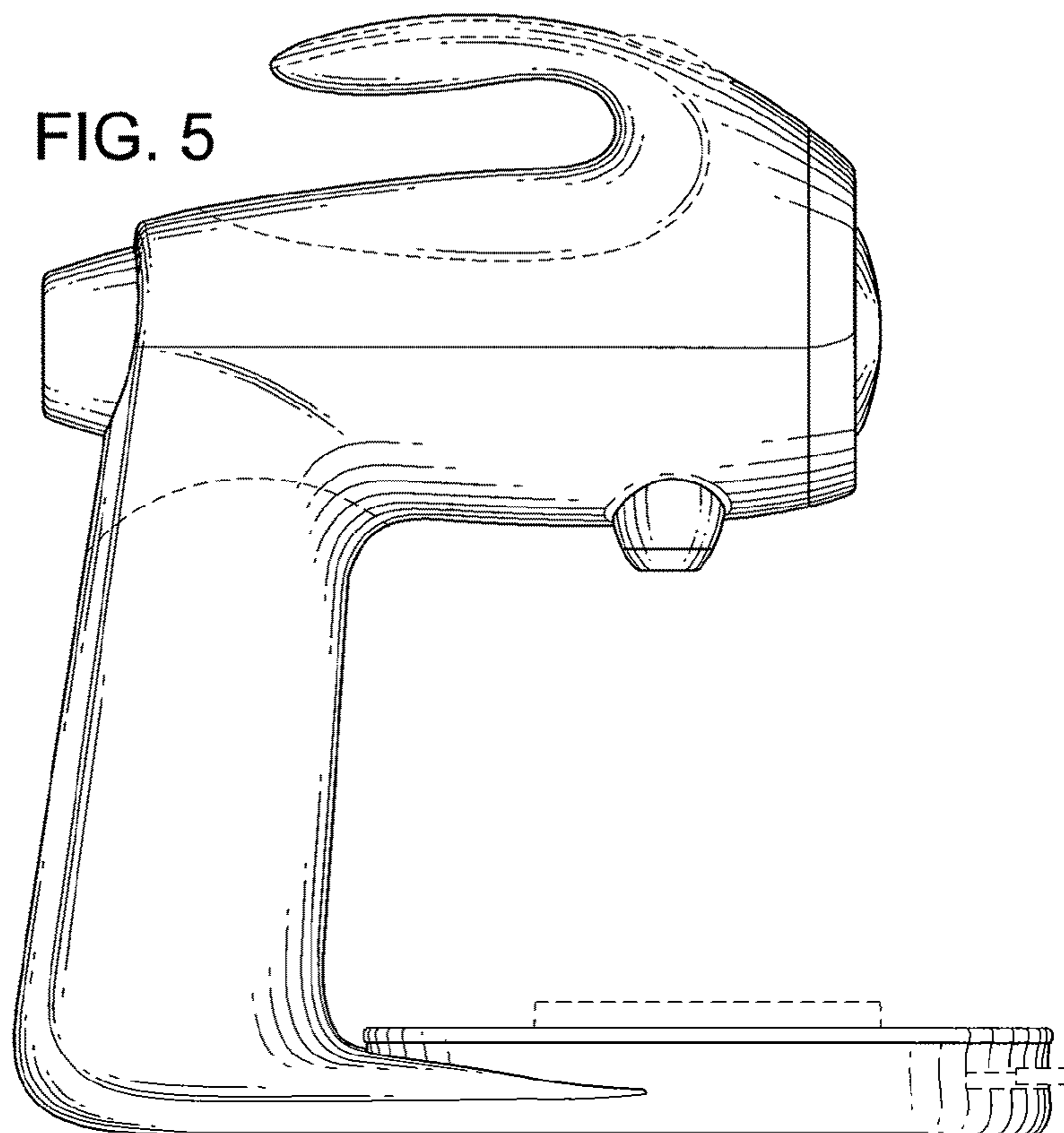
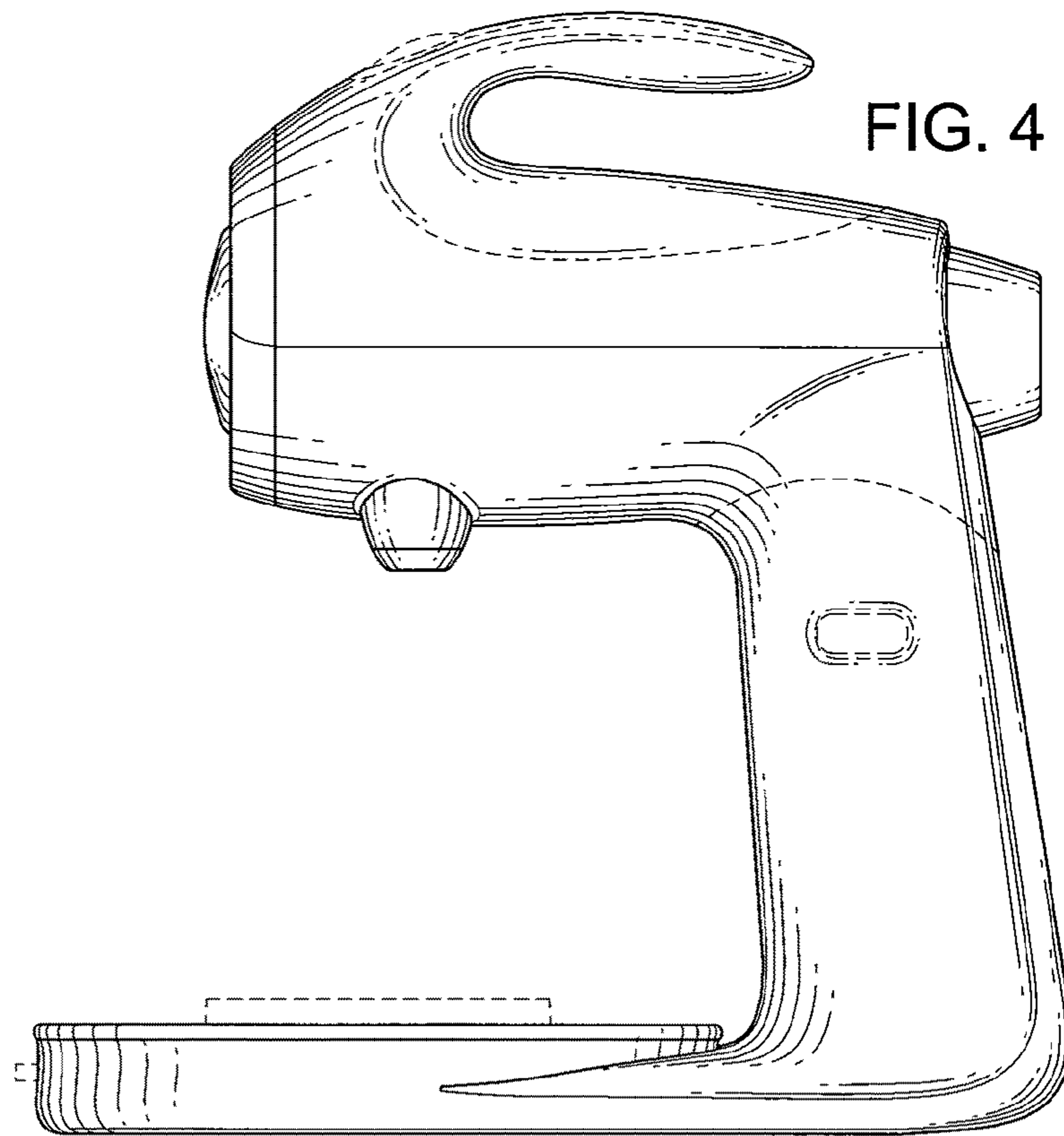


FIG. 6

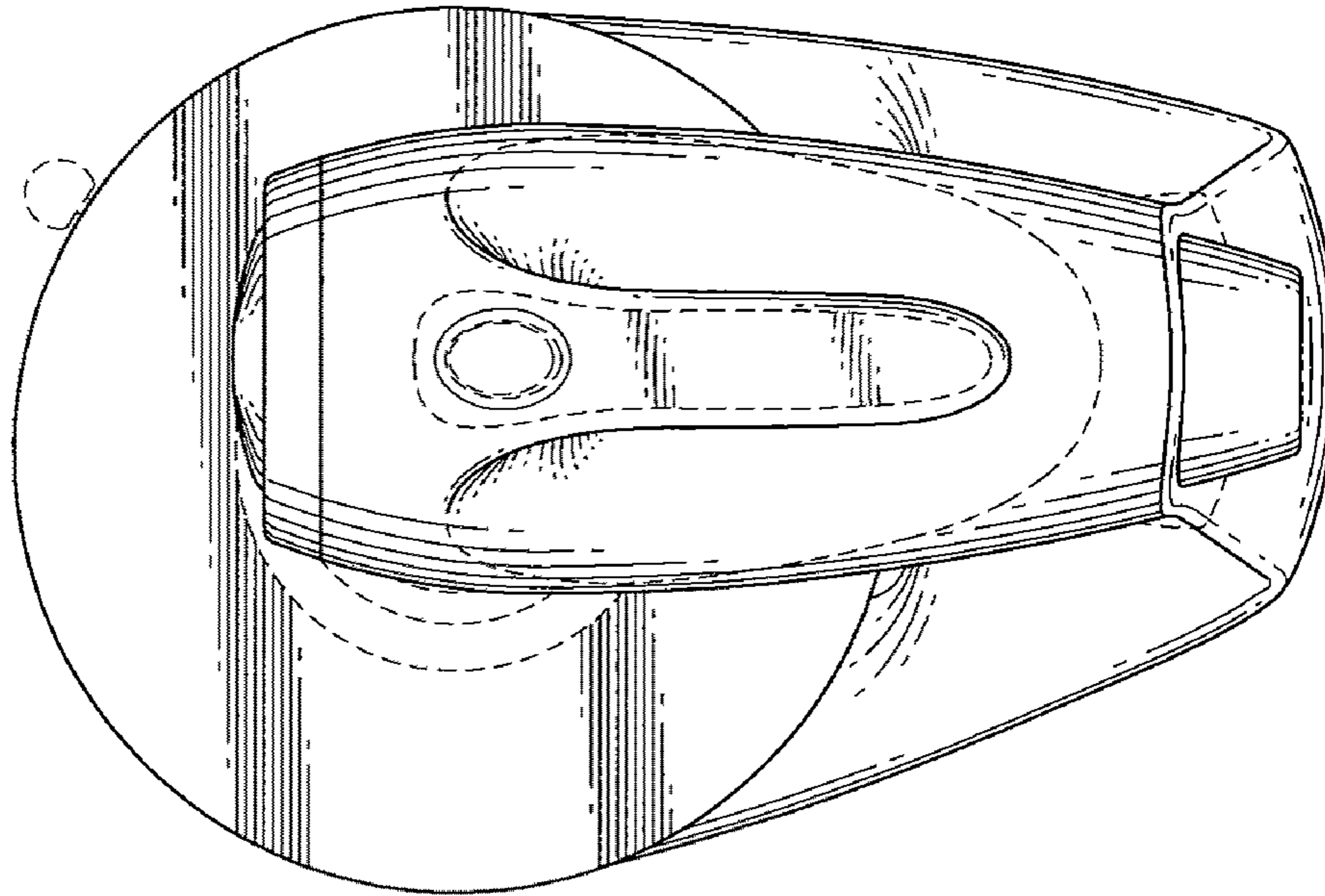


FIG. 7

