



US00D587961S

(12) **United States Design Patent**
Lavy

(10) **Patent No.:** **US D587,961 S**
(45) **Date of Patent:** **** Mar. 10, 2009**

(54) **BLENDER**

(57) **CLAIM**

(76) Inventor: **Danny Lavy**, 775 Lexington Ave.,
Westmont, Quebec (CA) H3Y 1K9

The ornamental design for a blender, as shown and described.

(**) Term: **14 Years**

DESCRIPTION

(21) Appl. No.: **29/325,461**

FIG. 1 is a perspective view of a blender and jar showing my new design;

(22) Filed: **Oct. 1, 2008**

FIG. 2 is a front elevational view of the blender and jar shown in FIG. 1;

(51) **LOC (9) Cl.** **31-00**

FIG. 3 is a rear elevational view of the blender and jar shown in FIG. 1;

(52) **U.S. Cl.** **D7/378**

(58) **Field of Classification Search** D7/317-318,
D7/356, 376-386, 392, 412-415, 665; 99/348,
99/509-511; 241/30-37.5, 101.01-101.2,
241/166-169.1, 274-278.2, 285.1-285.3,
241/291, 292.1; 366/64-67, 98, 192, 194-211,
366/205-206, 241-254, 279-292, 341-343
See application file for complete search history.

FIG. 4 is a top plan view of the blender and jar shown in FIG. 1, a bottom plan view not being shown as it is devoid of ornamentation;

FIG. 5 is a left side elevational view of the blender and jar shown in FIG. 1;

(56) **References Cited**

U.S. PATENT DOCUMENTS

- D228,698 S * 10/1973 William, Jr. D7/378
- D444,344 S * 7/2001 Barthelemy et al. D7/378
- D466,760 S * 12/2002 Baerenrodt et al. D7/378
- D484,357 S * 12/2003 Seum et al. D7/378
- D525,481 S * 7/2006 Kassenaar D7/378
- D553,904 S * 10/2007 Romandy D7/378
- D560,963 S * 2/2008 Altheimer et al. D7/378
- 2006/0018189 A1 * 1/2006 Chang Chien 366/205

FIG. 6 is a perspective view of the blender shown in FIG. 1, shown with the jar being omitted for ease of illustration in FIGS. 6-10;

FIG. 7 is a front elevational view of the blender shown in FIG. 6;

FIG. 8 is a rear elevational view of the blender shown in FIG. 6;

FIG. 9 is a top plan view of the blender shown in FIG. 6, a bottom plan view not being shown as it is devoid of ornamentation; and,

FIG. 10 is a left side elevational view of the blender shown in FIG. 6.

* cited by examiner

The broken lines shown in the Figures are used for illustrative purposes only and form no part of the claimed design.

Primary Examiner—Caron Veynar
Assistant Examiner—Ricky Pham
(74) *Attorney, Agent, or Firm*—Cook Alex Ltd.

1 Claim, 7 Drawing Sheets

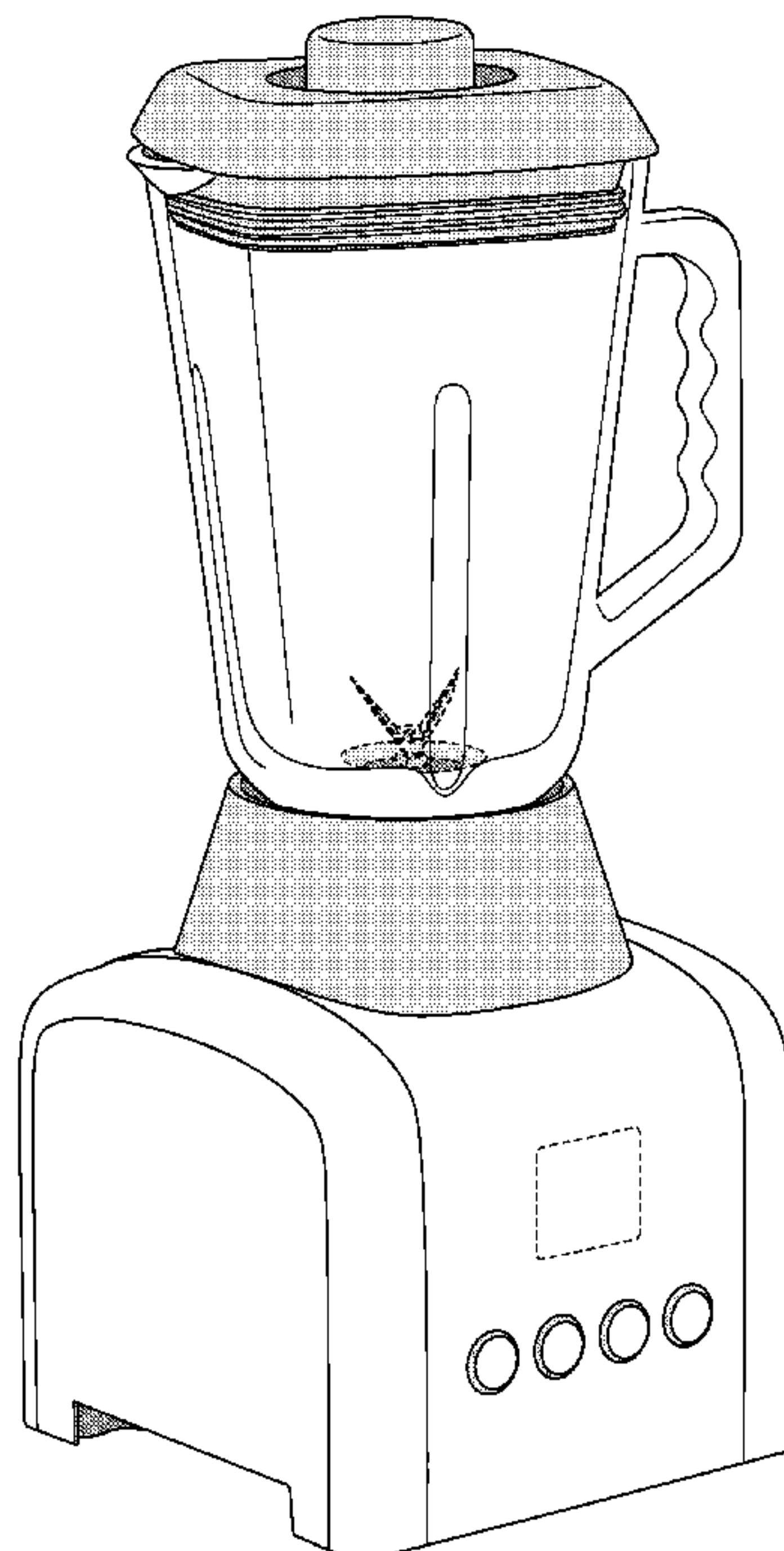


FIGURE 1

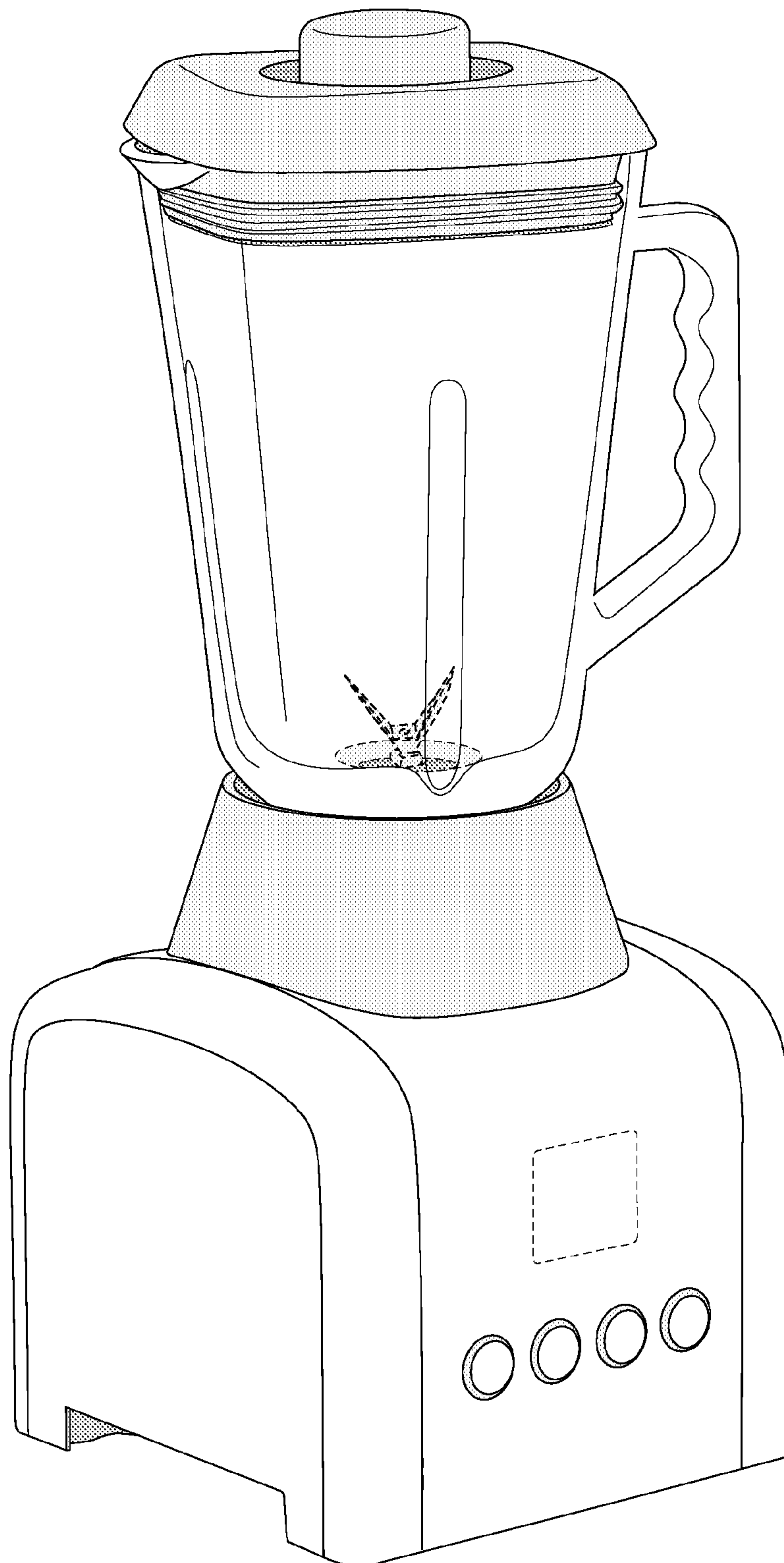


FIGURE 2

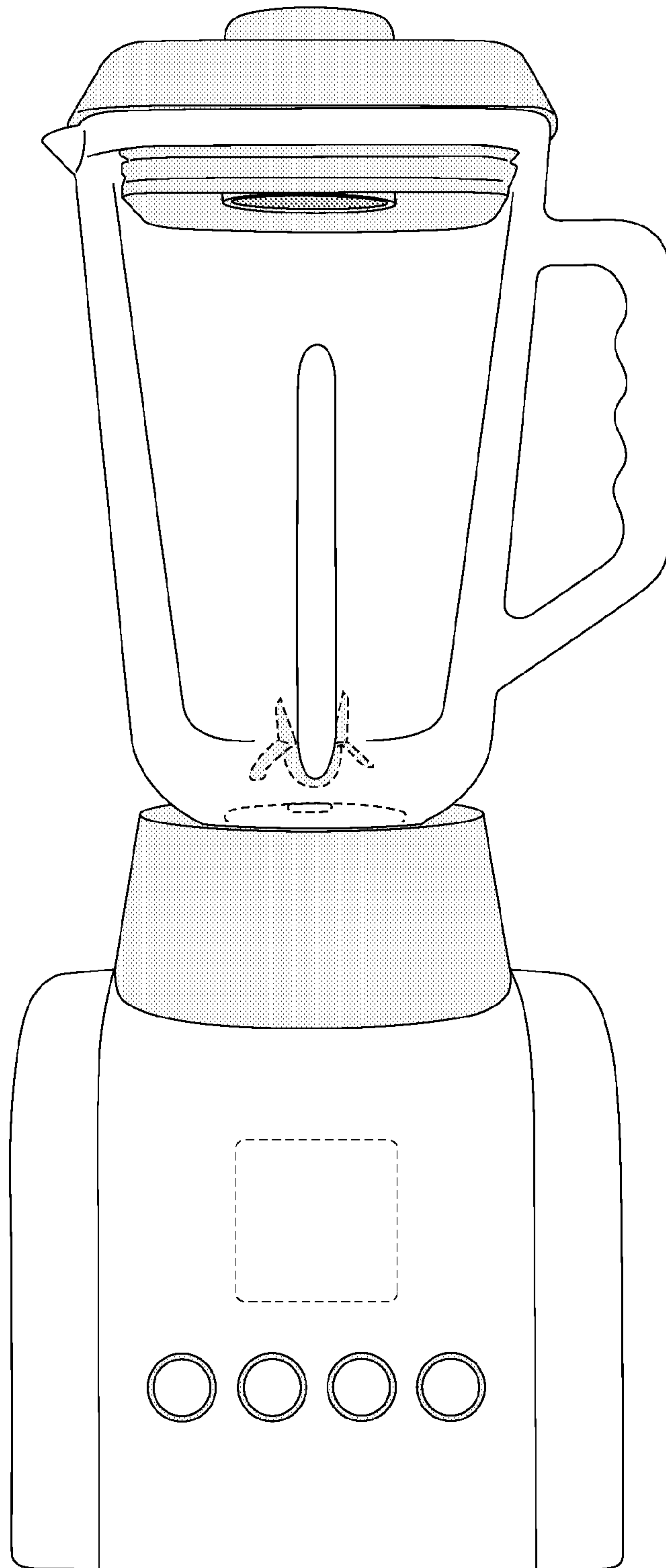


FIGURE 3

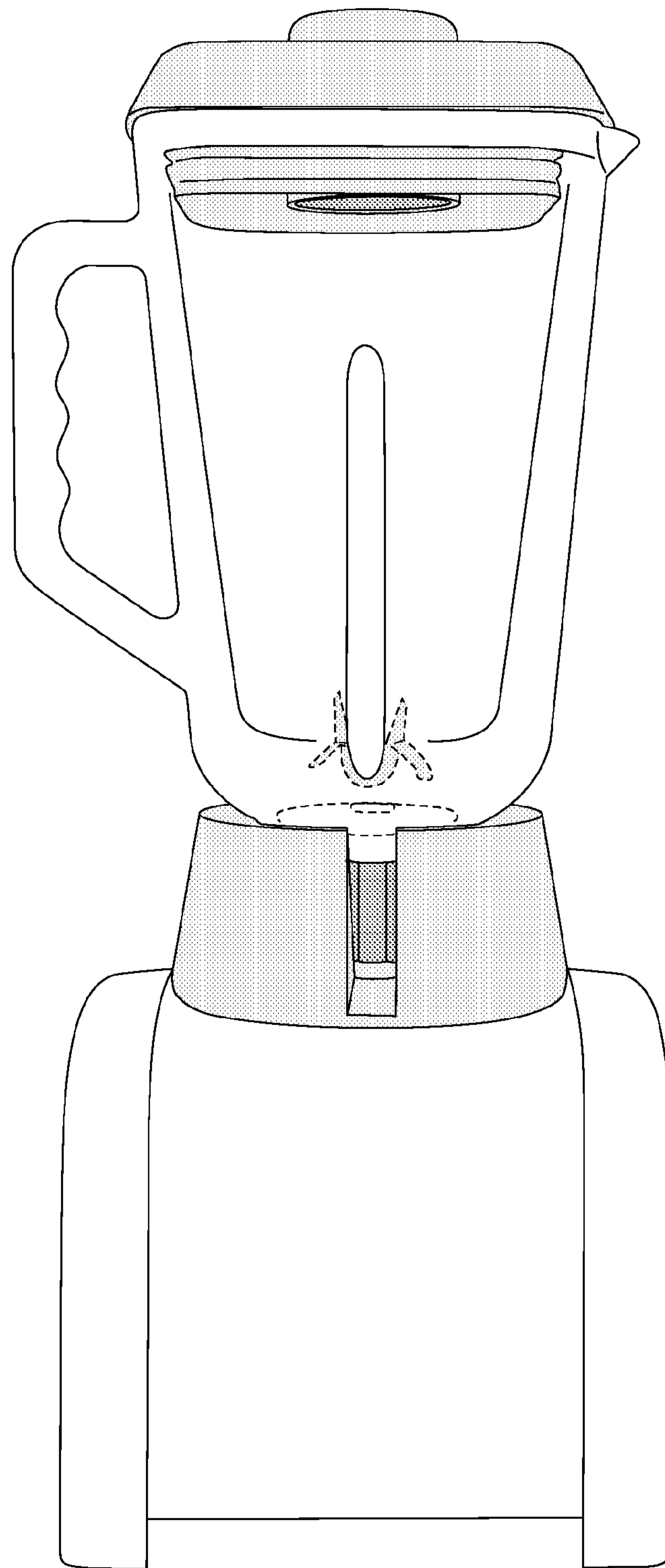


FIGURE 4

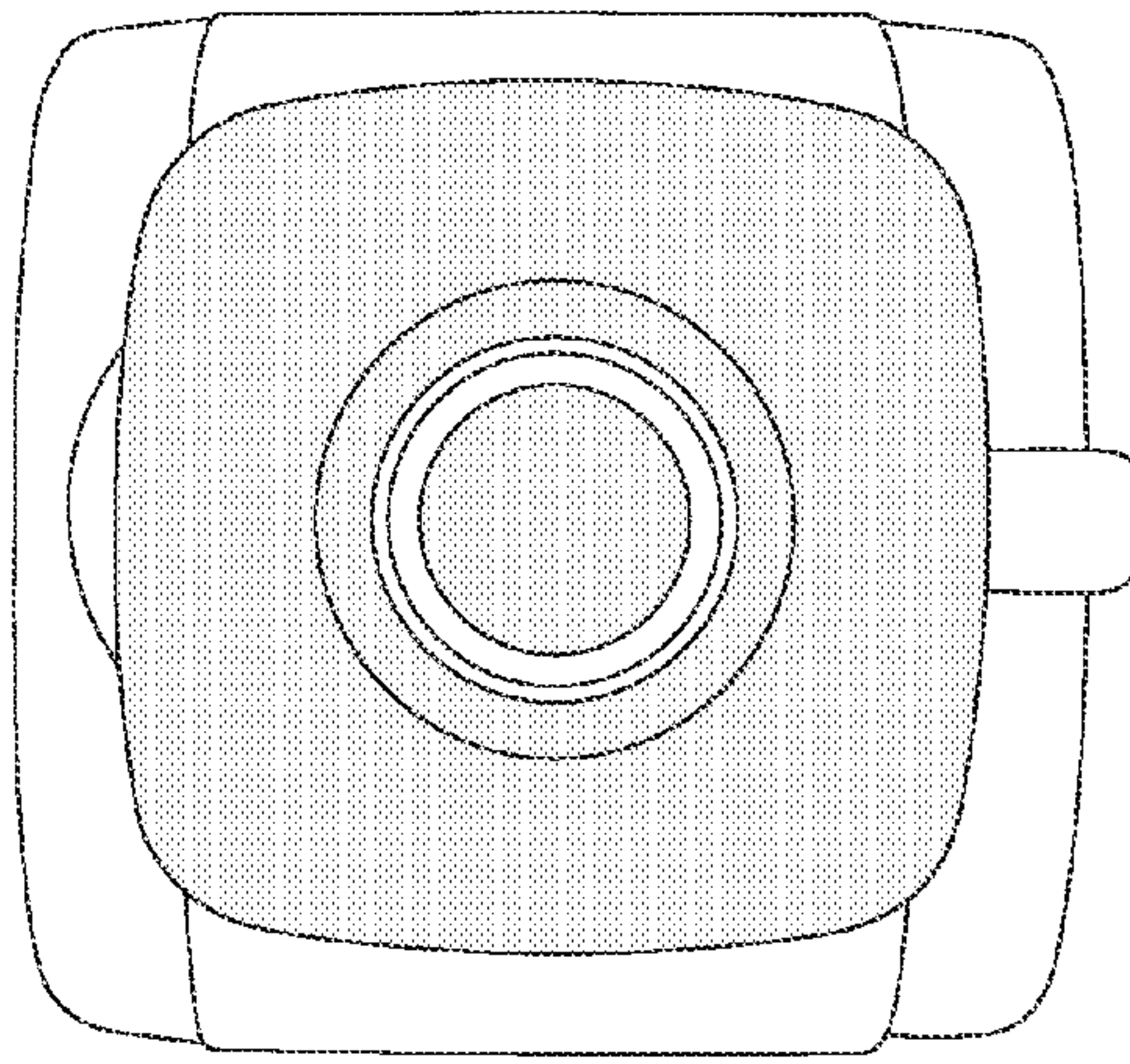


FIGURE 5

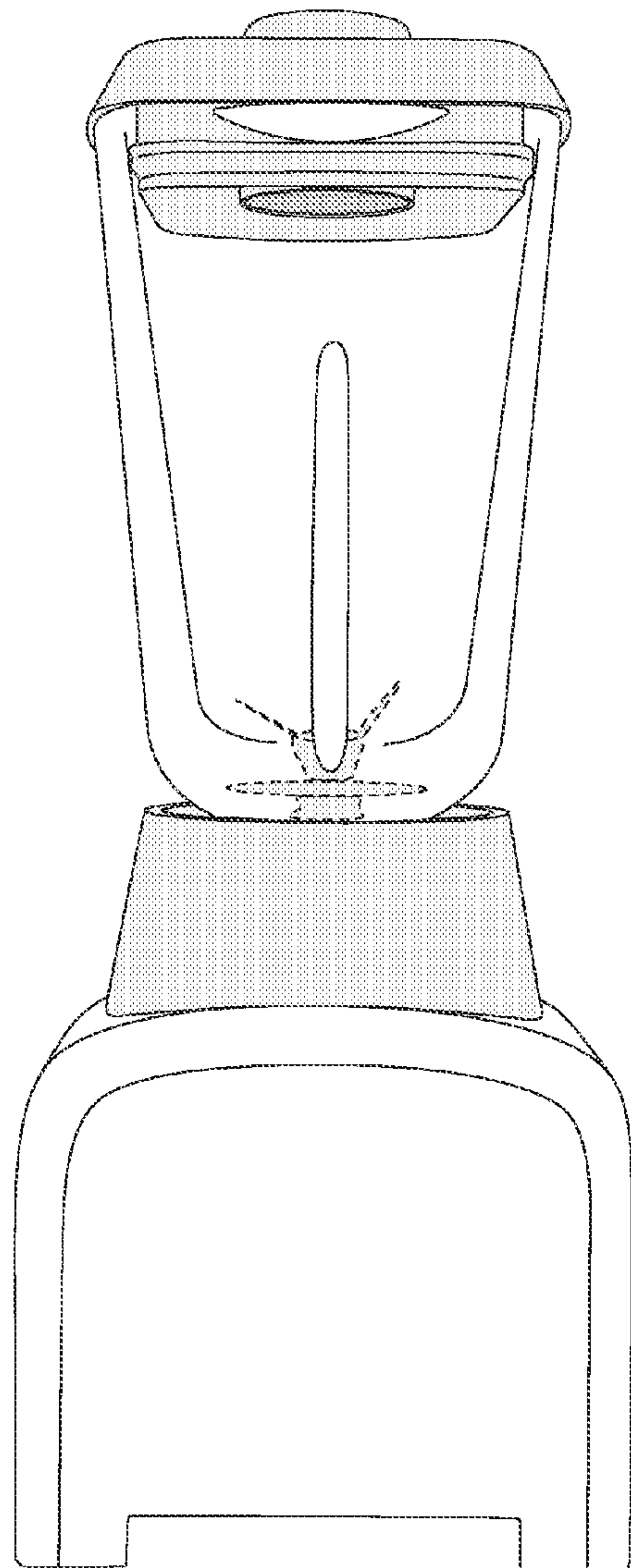


FIGURE 6

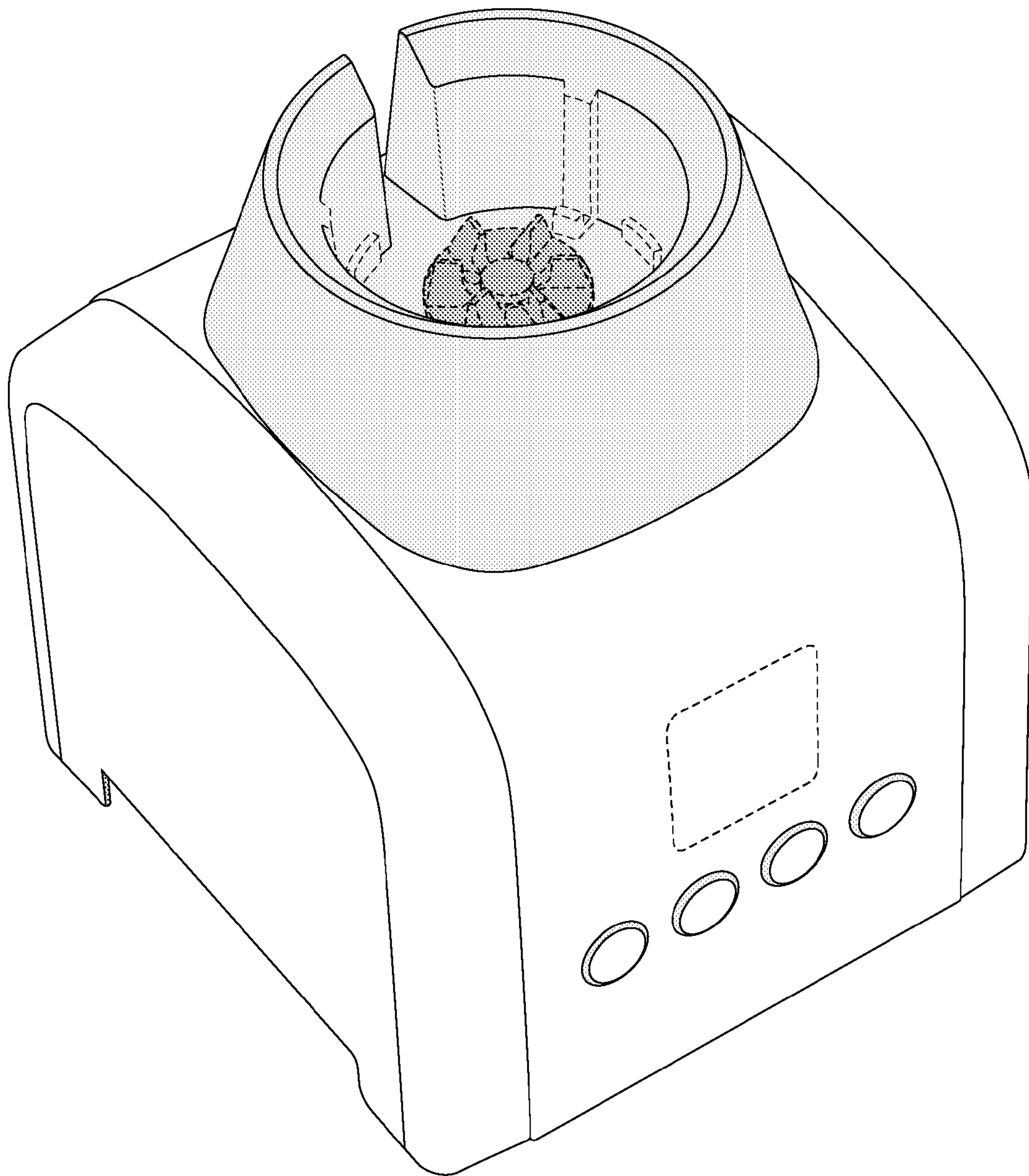


FIGURE 7

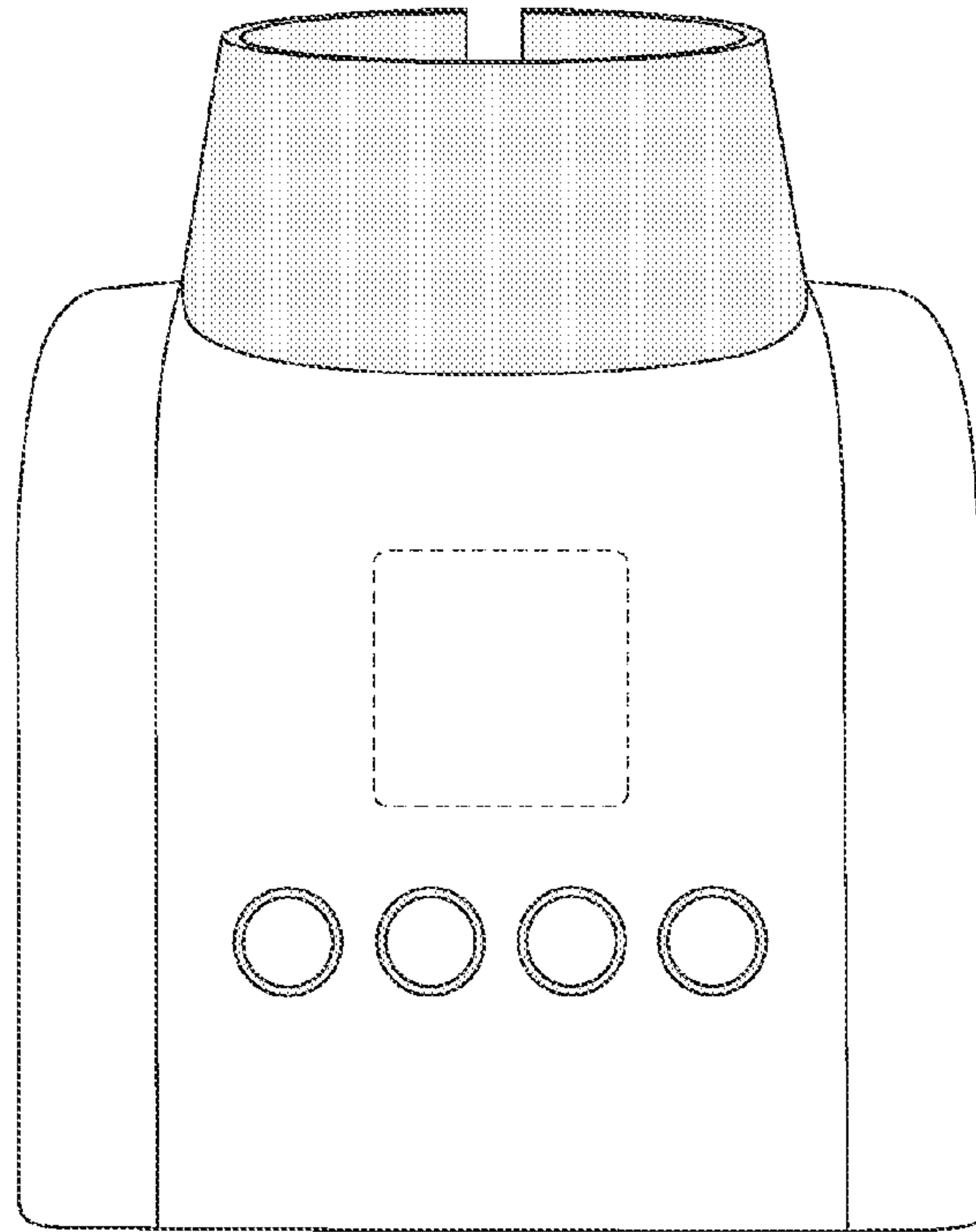


FIGURE 8

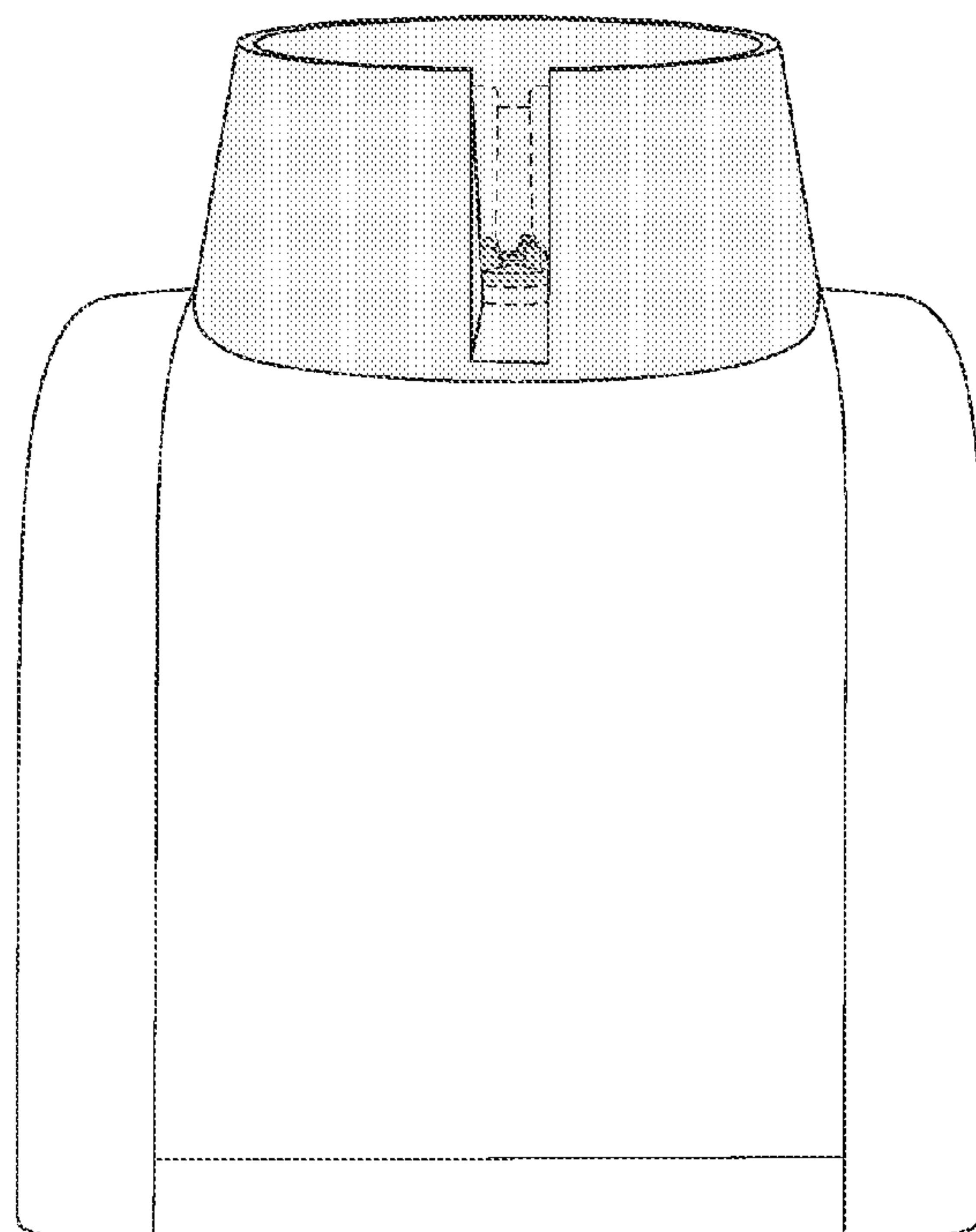


FIGURE 9

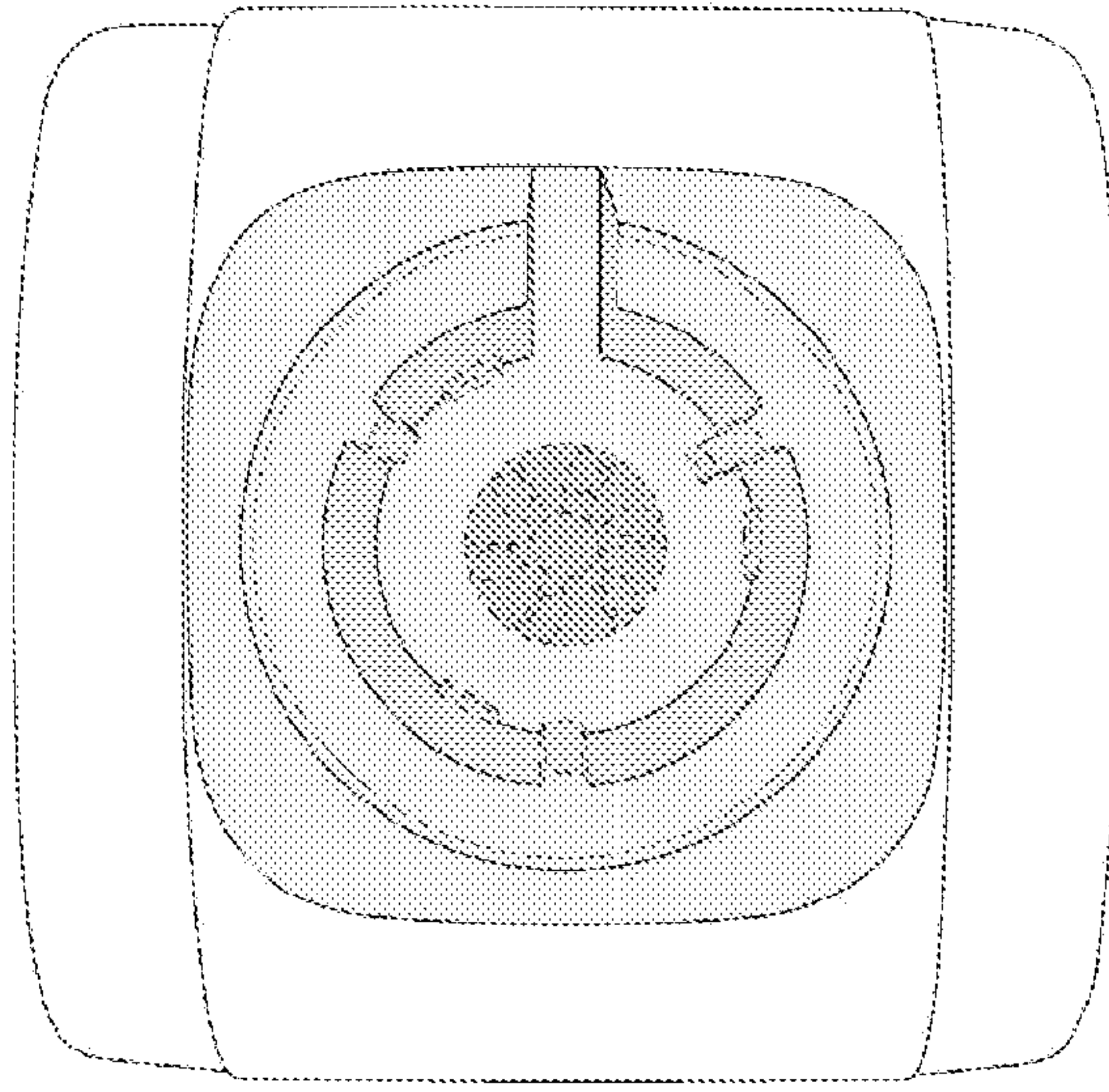


FIGURE 10

