



US00D587959S

(12) **United States Design Patent**  
**Hensel**

(10) **Patent No.:** **US D587,959 S**  
(45) **Date of Patent:** **\*\* Mar. 10, 2009**

(54) **TOASTER OVEN**

(75) Inventor: **Keith James Hensel**, Lane Cove (AU)

(73) Assignee: **Breville Pty Ltd**, Botany, New South Wales (AU)

(\*\*) Term: **14 Years**

(21) Appl. No.: **29/325,017**

(22) Filed: **Sep. 24, 2008**

(30) **Foreign Application Priority Data**

Mar. 28, 2008 (AU) ..... 11500/2008

(51) **LOC (9) Cl.** ..... **07-02**

(52) **U.S. Cl.** ..... **D7/350.1**

(58) **Field of Classification Search** .... D7/350.1–350.4,  
D7/351, 402, 405; 126/19 M, 275 R, 275 E,  
126/756–758, 386, 387, 21 A; D15/81; 99/327–328,  
99/329 R, 331–332, 348, 357, 467, 448, 468,  
99/483, 339; 366/98, 146; 219/393  
See application file for complete search history.

(56) **References Cited**

**U.S. PATENT DOCUMENTS**

D380,643 S \* 7/1997 Piret ..... D7/350.4  
D476,846 S \* 7/2003 Piret ..... D7/351  
D489,934 S \* 5/2004 Sagawa et al. .... D7/351

D495,556 S \* 9/2004 Milrud et al. .... D7/405  
D521,799 S \* 5/2006 Ledingham et al. .... D7/350.1  
D525,477 S \* 7/2006 Kim ..... D7/351  
D530,561 S \* 10/2006 Kim ..... D7/351  
D567,013 S \* 4/2008 Choya ..... D7/350.1  
D568,675 S \* 5/2008 Kawata ..... D7/350.1

\* cited by examiner

*Primary Examiner*—Ruth McInroy  
(74) *Attorney, Agent, or Firm*—Molins & Co.

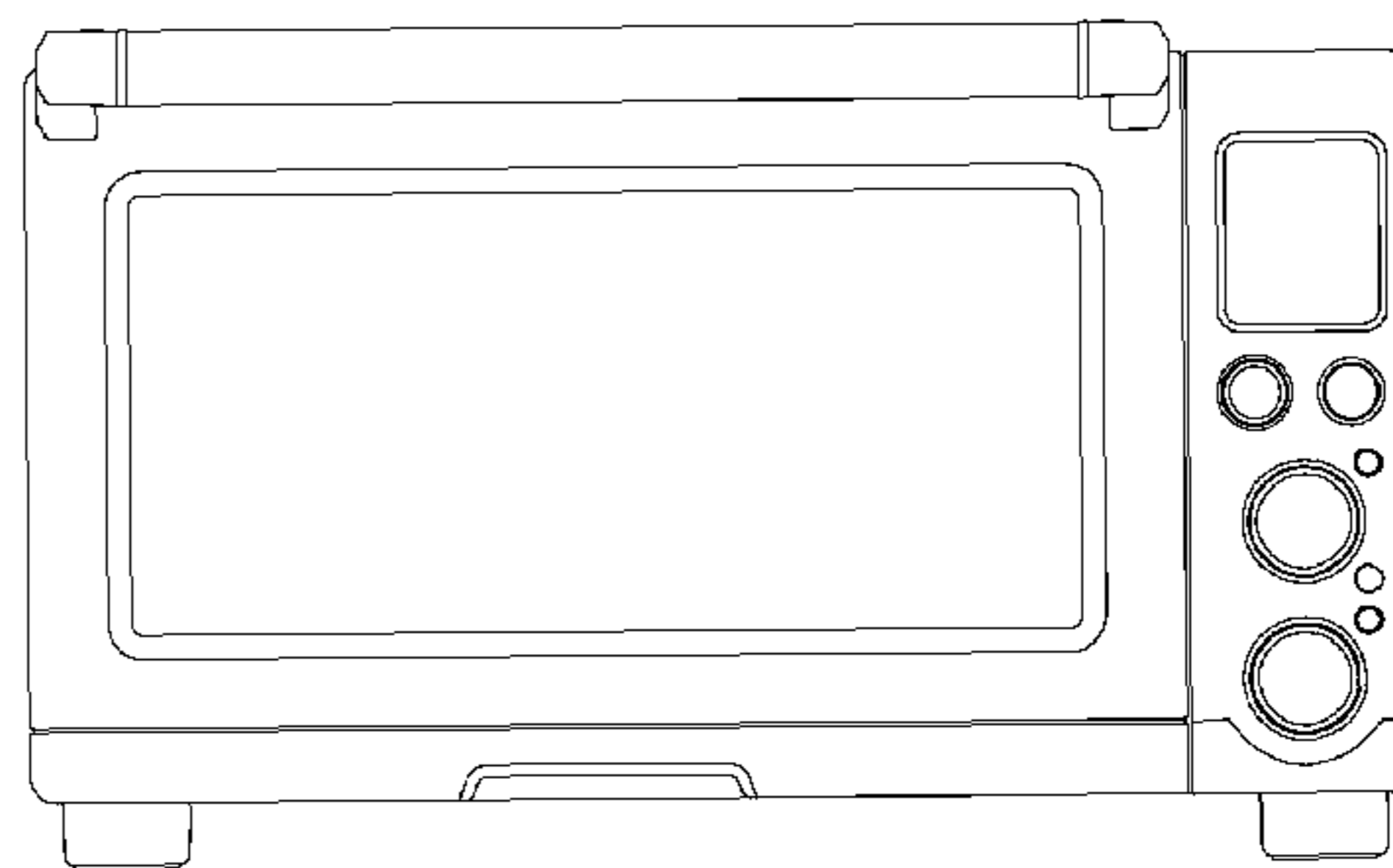
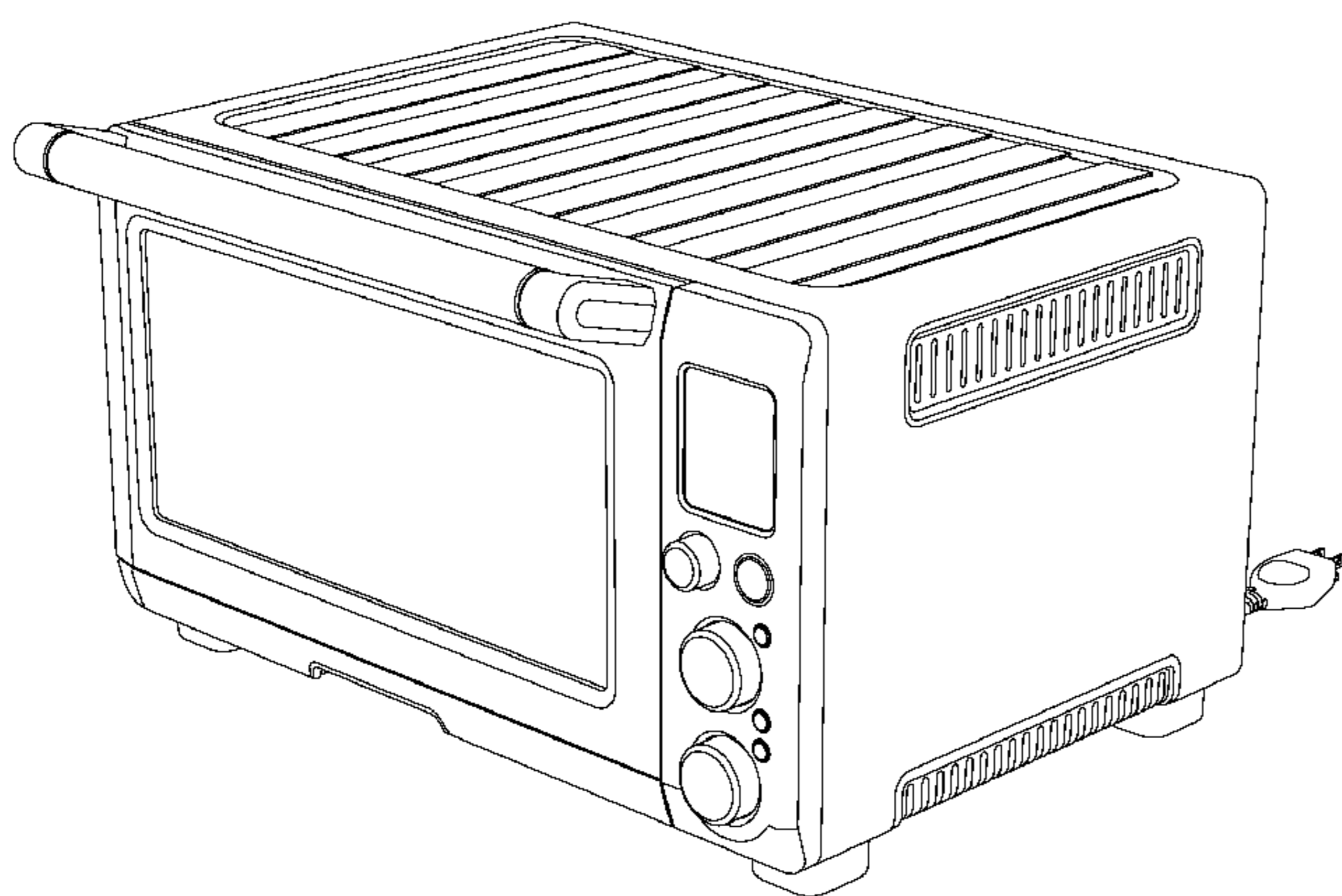
(57) **CLAIM**

The ornamental design for a toaster oven, as shown and described.

**DESCRIPTION**

FIG. 1 is a front top perspective view of a toaster oven showing my new design;  
FIG. 2 is a rear bottom perspective view thereof;  
FIG. 3 is a front view thereof;  
FIG. 4 is a top view thereof;  
FIG. 5 is a bottom view thereof;  
FIG. 6 is a right view thereof;  
FIG. 7 is a left view thereof; and,  
FIG. 8 is a rear view thereof.

**1 Claim, 8 Drawing Sheets**



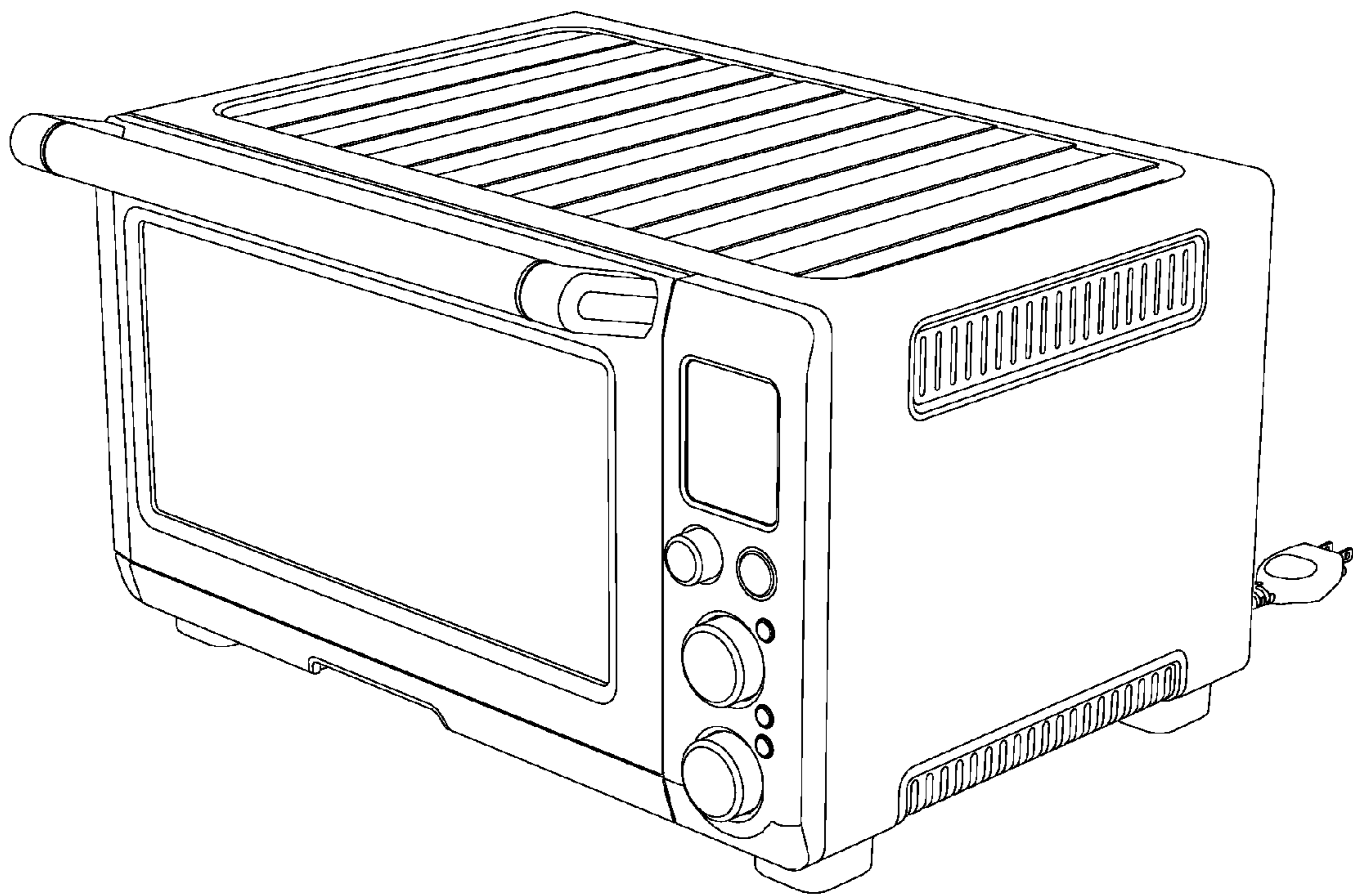


Figure 1

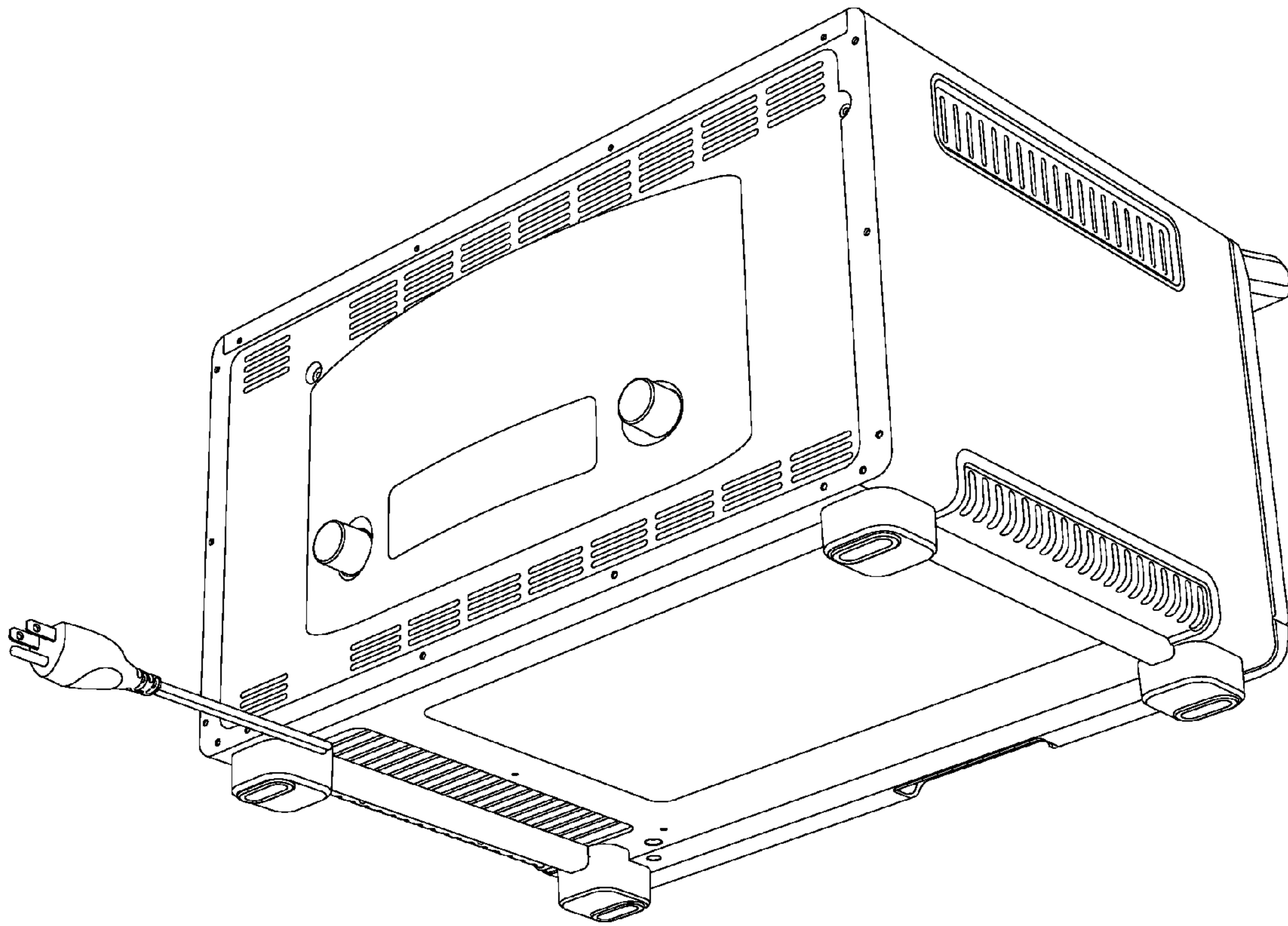


Figure 2

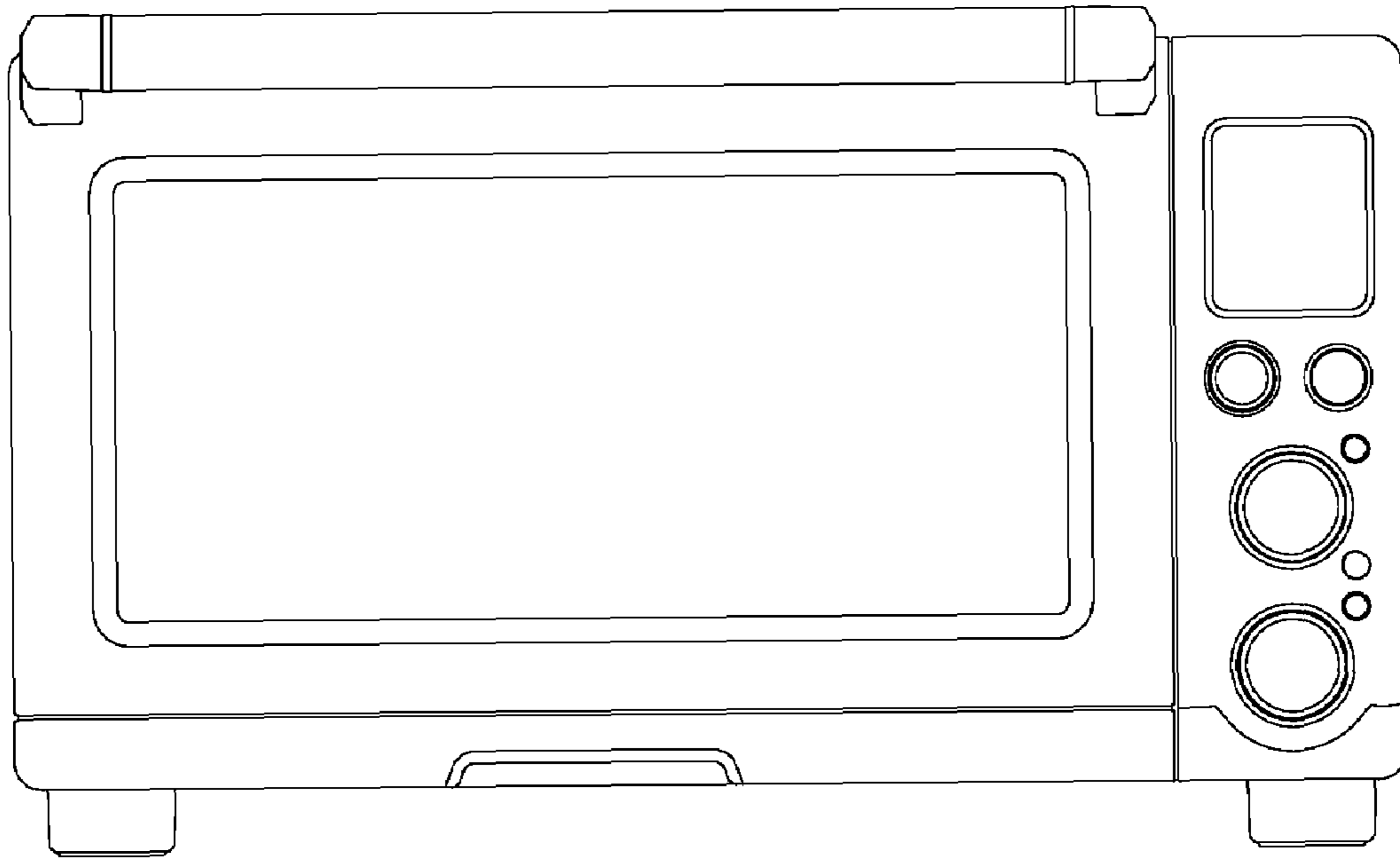


Figure 3

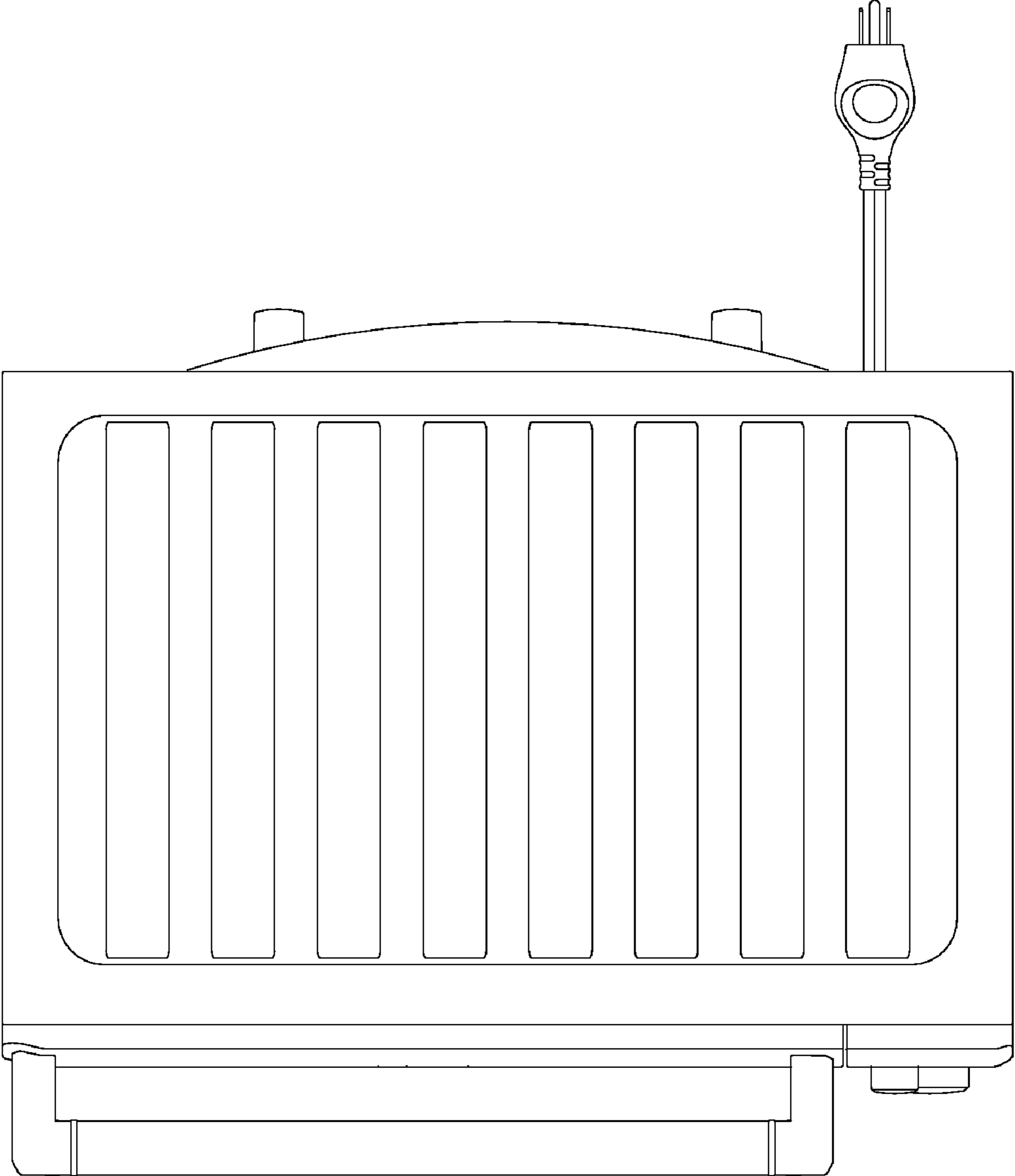


Figure 4

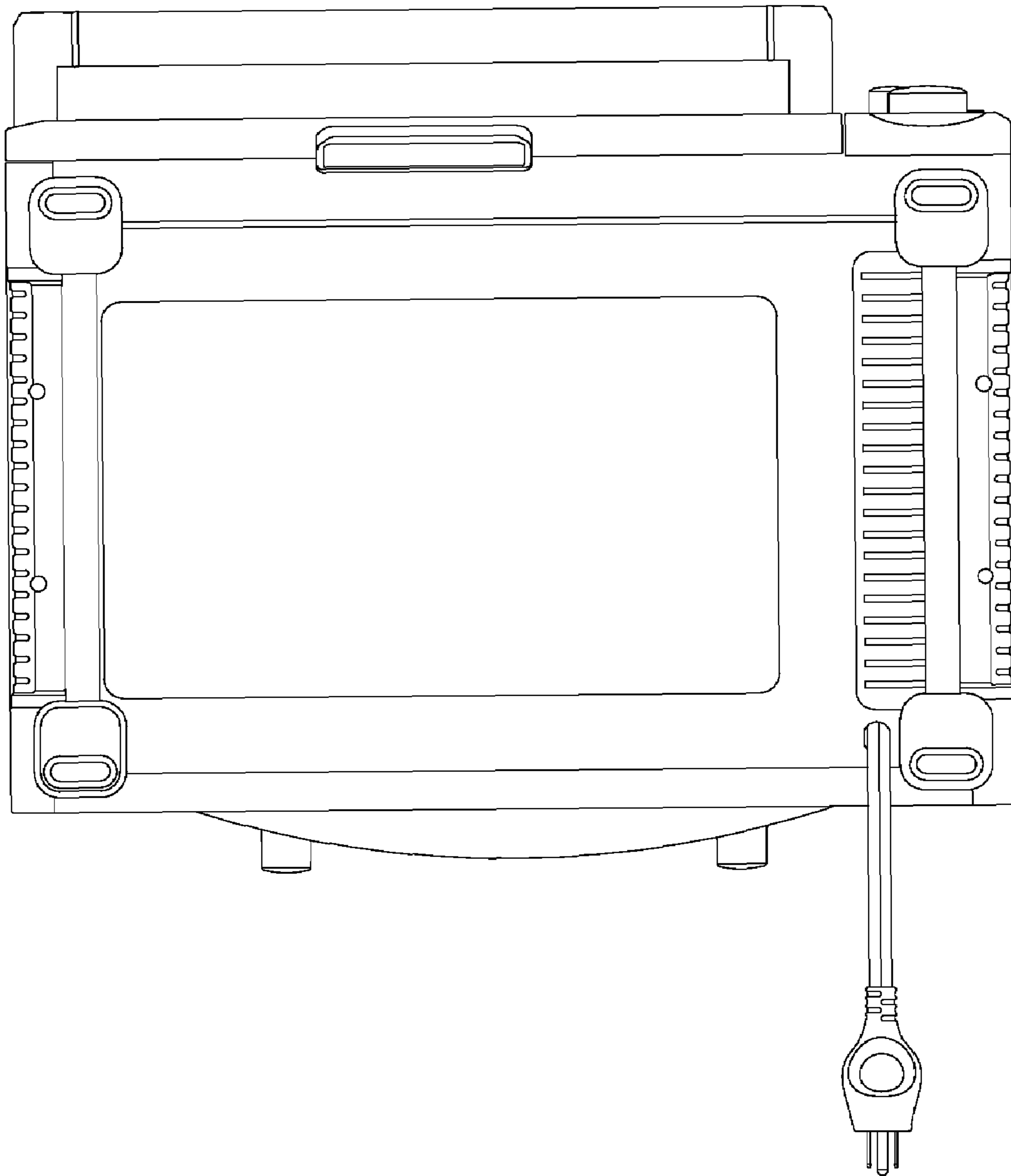


Figure 5

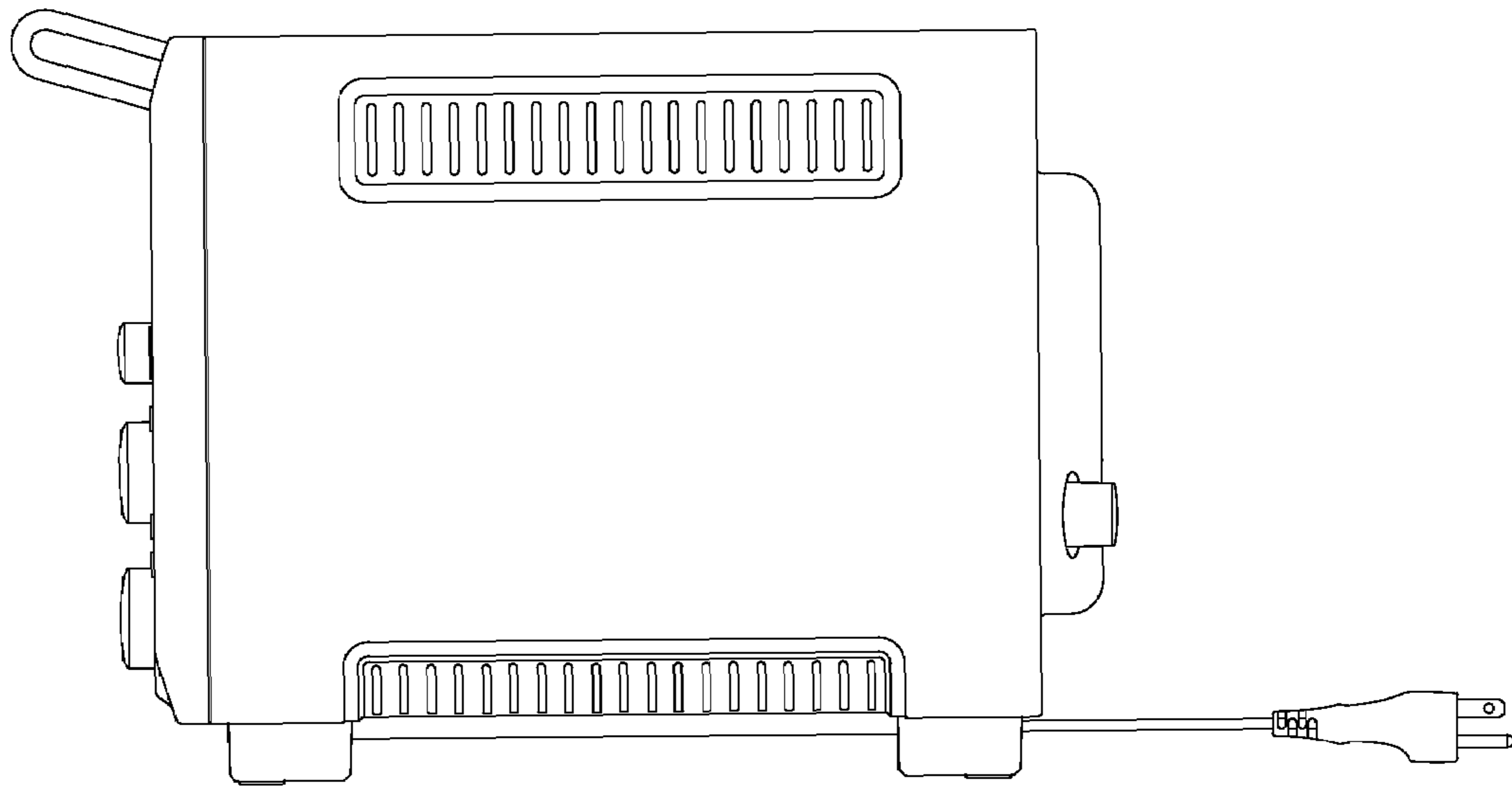


Figure 6

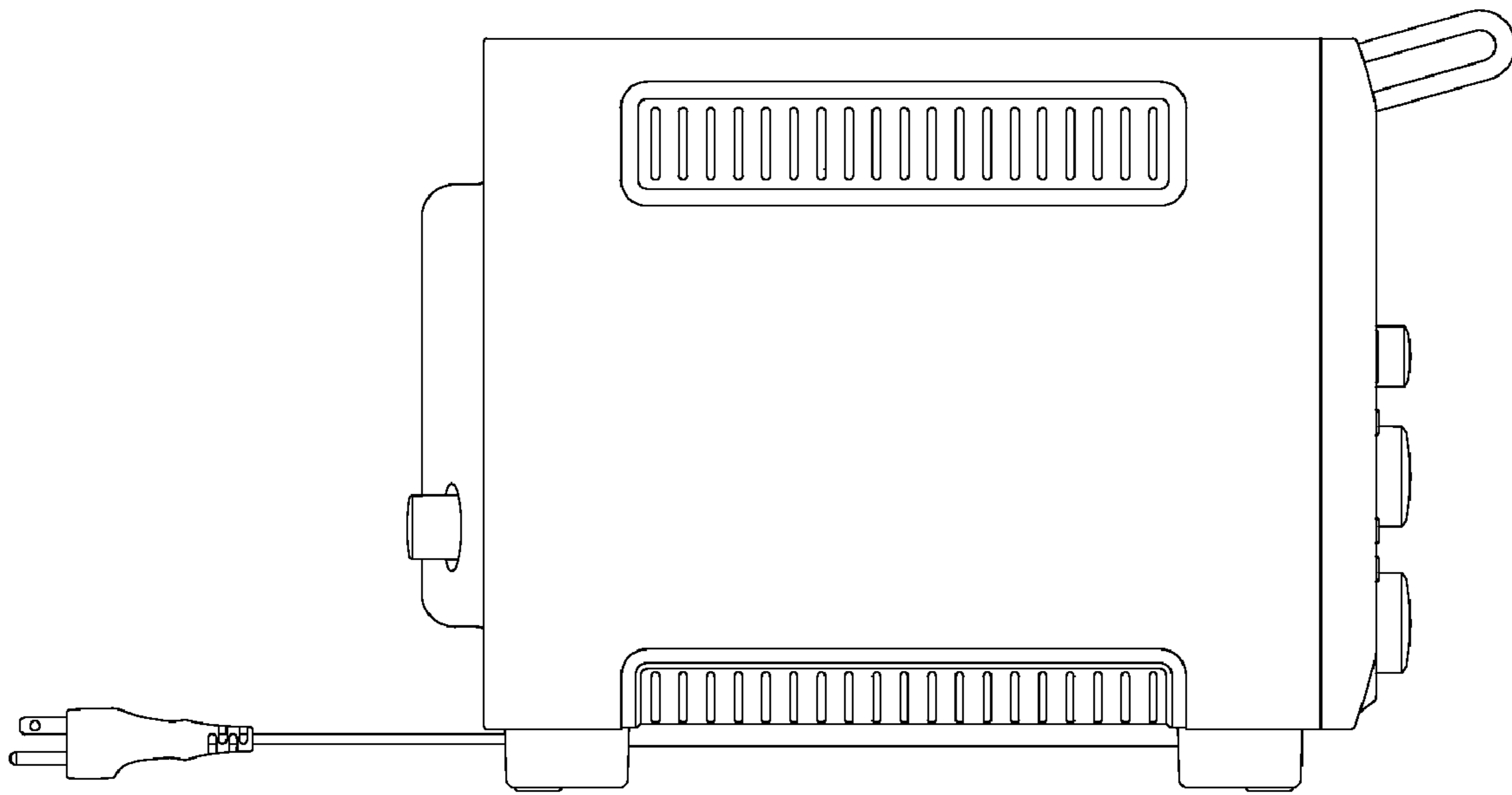


Figure 7



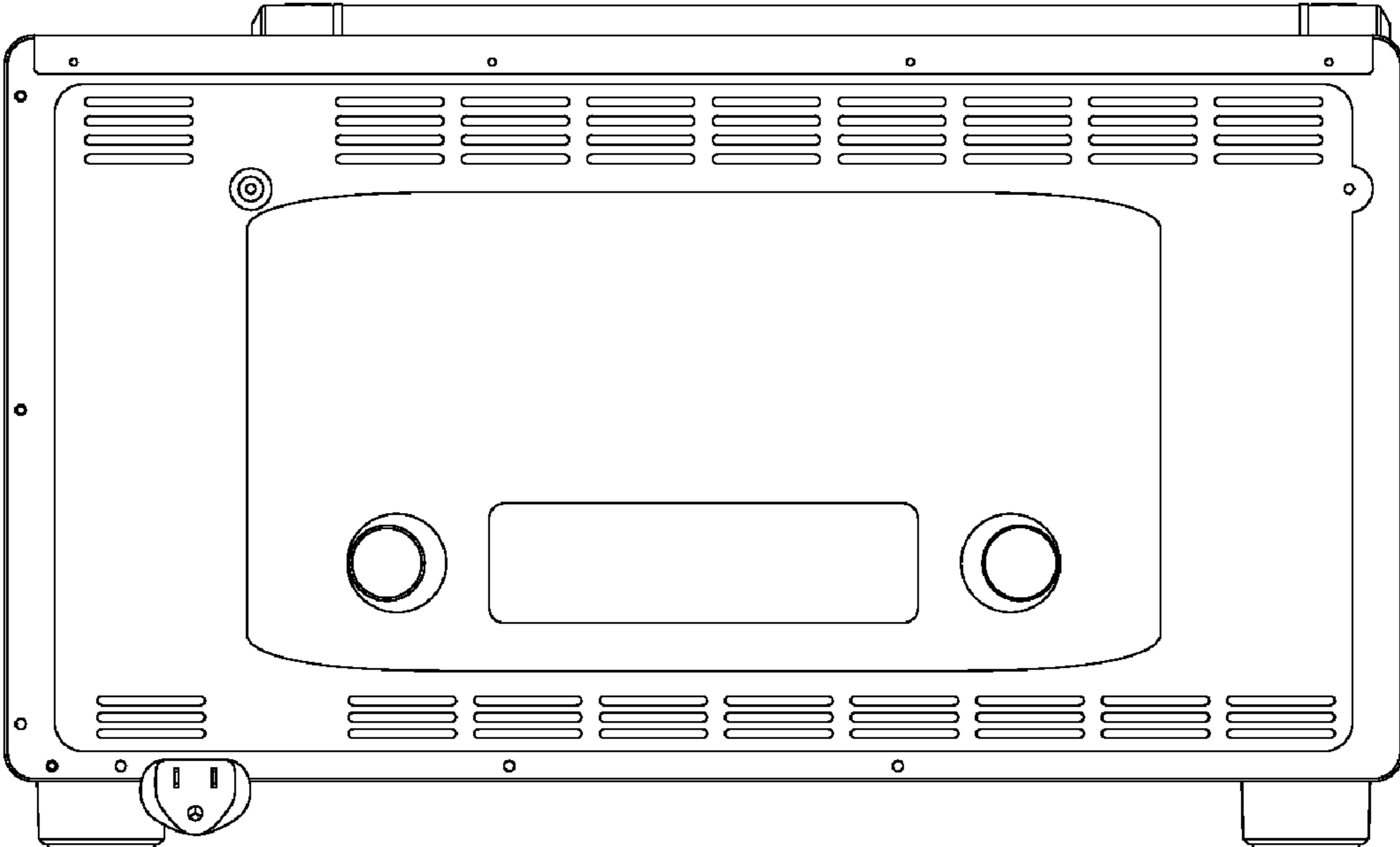


Figure 8