



US00D587956S

(12) **United States Design Patent**  
**Adachi**

(10) **Patent No.:** **US D587,956 S**  
(45) **Date of Patent:** **\*\* Mar. 10, 2009**

(54) **DRINK DISPENSER**

(75) Inventor: **Katsuhiko Adachi**, Osaka (JP)

(73) Assignee: **Sanyo Electric Co., Ltd.**, Osaka (JP)

(\*\*) Term: **14 Years**

(21) Appl. No.: **29/287,247**

(22) Filed: **Jul. 13, 2007**

(30) **Foreign Application Priority Data**

Jan. 17, 2007	(JP)	.....	2007-000705
Jan. 17, 2007	(JP)	.....	2007-000706
Jan. 17, 2007	(JP)	.....	2007-000707

(51) **LOC (9) Cl.** ..... **07-01**

(52) **U.S. Cl.** ..... **D7/308; D7/307; D7/311**

(58) **Field of Classification Search** ..... D7/309-311,  
D7/306-308, 300, 397-399; 99/280, 286,  
99/305, 306, 295, 279, 299, 285; D20/1,  
D20/4, 5; 222/108, 1, 152, 190, 399; D15/79  
See application file for complete search history.

(56) **References Cited**

**U.S. PATENT DOCUMENTS**

3,268,672	A *	8/1966	Roesel, Jr. et al.	.....	381/186
D206,519	S *	12/1966	Wolfe	.....	D7/308
D233,081	S *	10/1974	Koch	.....	D7/311
D233,271	S *	10/1974	Holcomb	.....	D7/308

D246,310	S *	11/1977	Syverson et al.	.....	D7/309
D272,975	S *	3/1984	Miller	.....	D7/309
D359,874	S *	7/1995	Smith et al.	.....	D7/311
D404,242	S *	1/1999	Schroeder	.....	D7/307
D440,109	S *	4/2001	Anton et al.	.....	D7/307
D454,464	S *	3/2002	Mogler et al.	.....	D7/307
D529,750	S *	10/2006	Baron et al.	.....	D7/307
D555,968	S *	11/2007	Pfeifer et al.	.....	D7/306
D557,970	S *	12/2007	Asbridge	.....	D7/307
D564,279	S *	3/2008	Hodges	.....	D7/307

\* cited by examiner

*Primary Examiner*—Marianne Pandozzi

(74) *Attorney, Agent, or Firm*—Rabin & Berdo, PC

(57) **CLAIM**

The ornamental design for a drink dispenser, as shown and described.

**DESCRIPTION**

FIG. 1 is a perspective view of a drink dispenser showing my new design;

FIG. 2 is a front elevational view thereof;

FIG. 3 is a rear elevational view hereof;

FIG. 4 is a top plan view thereof;

FIG. 5 is a bottom plan view thereof;

FIG. 6 is a right side elevational view thereof; and,

FIG. 7 is a left side elevational view thereof.

**1 Claim, 4 Drawing Sheets**

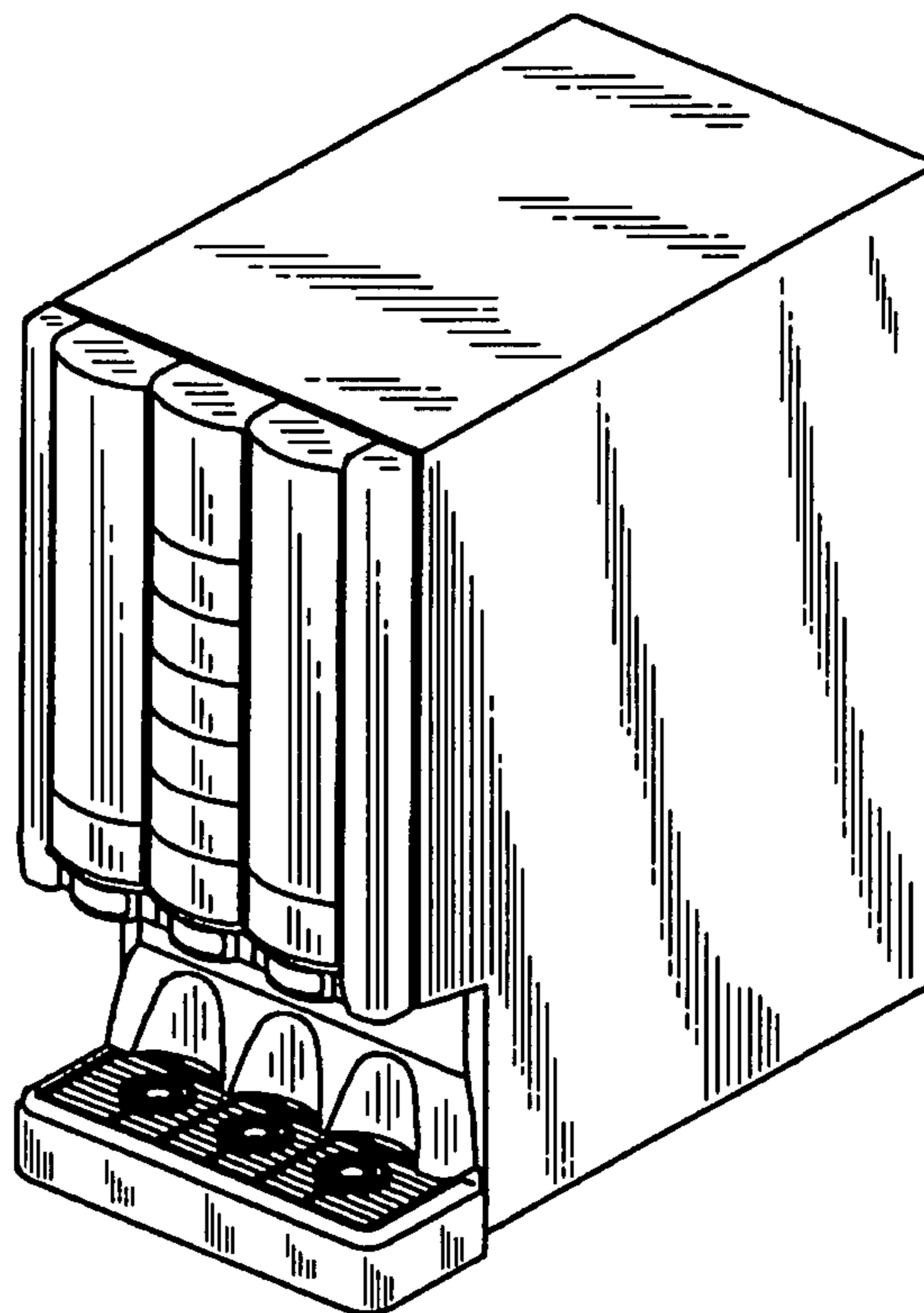


FIG. 1

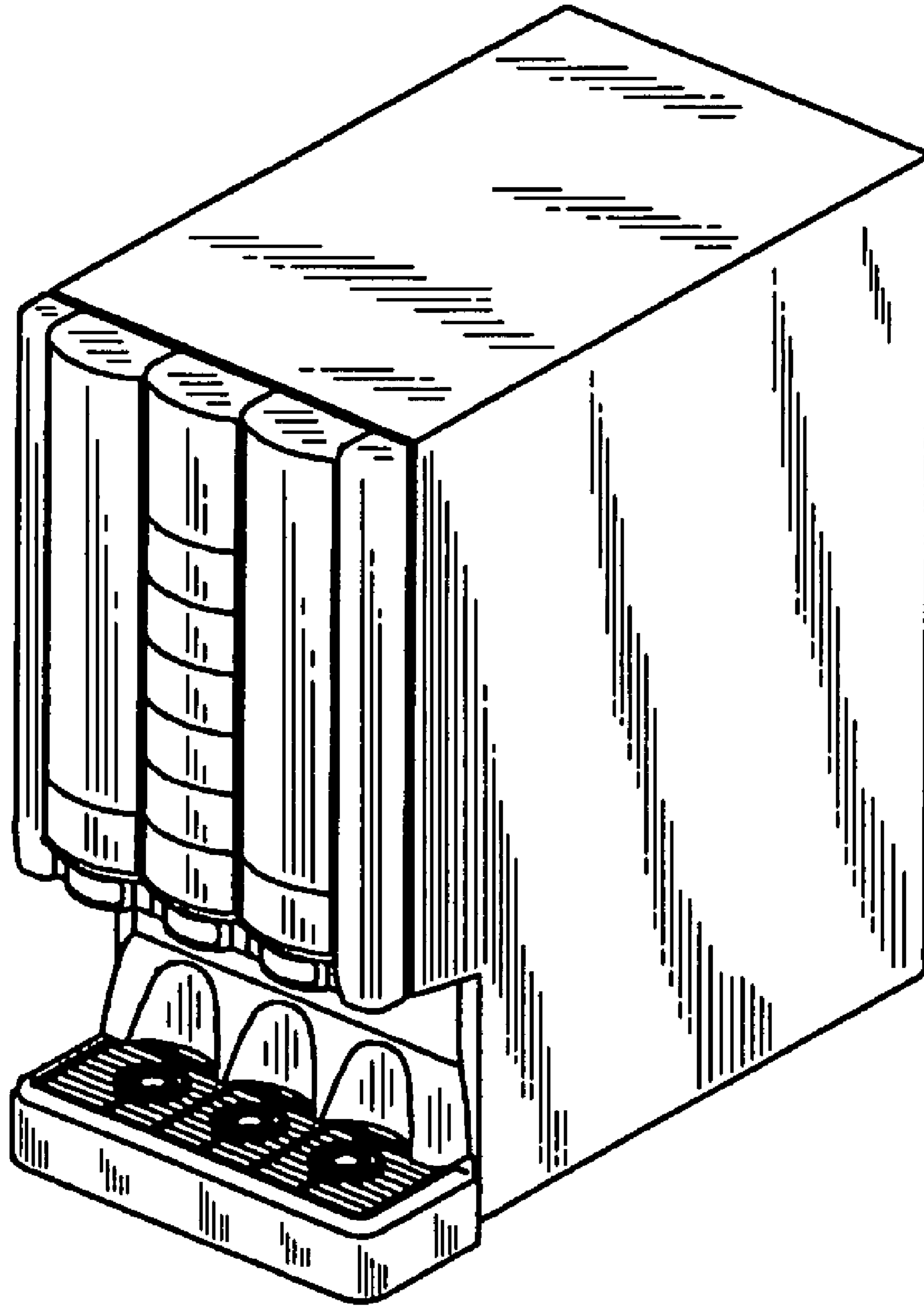


FIG. 2

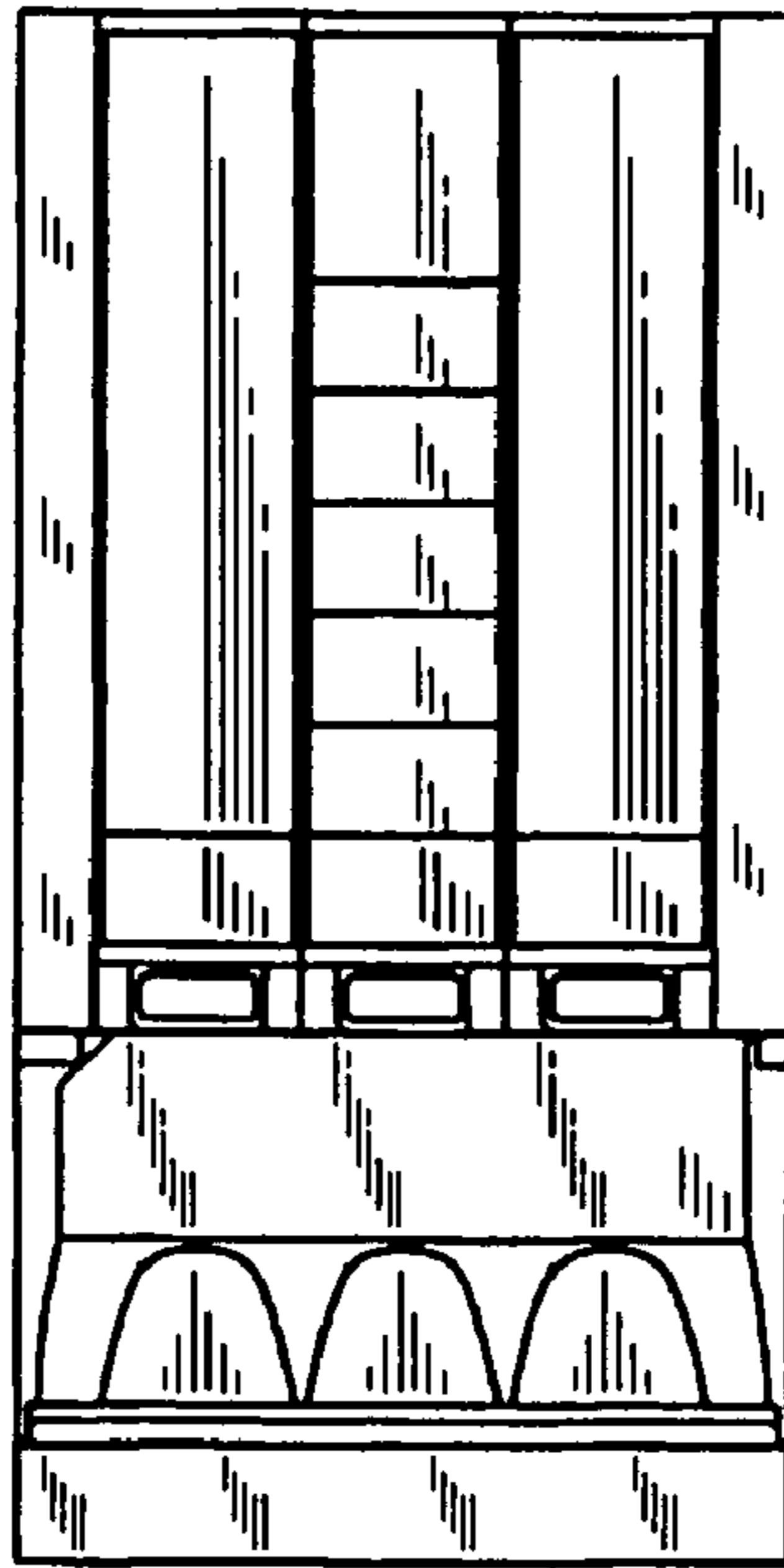


FIG. 3

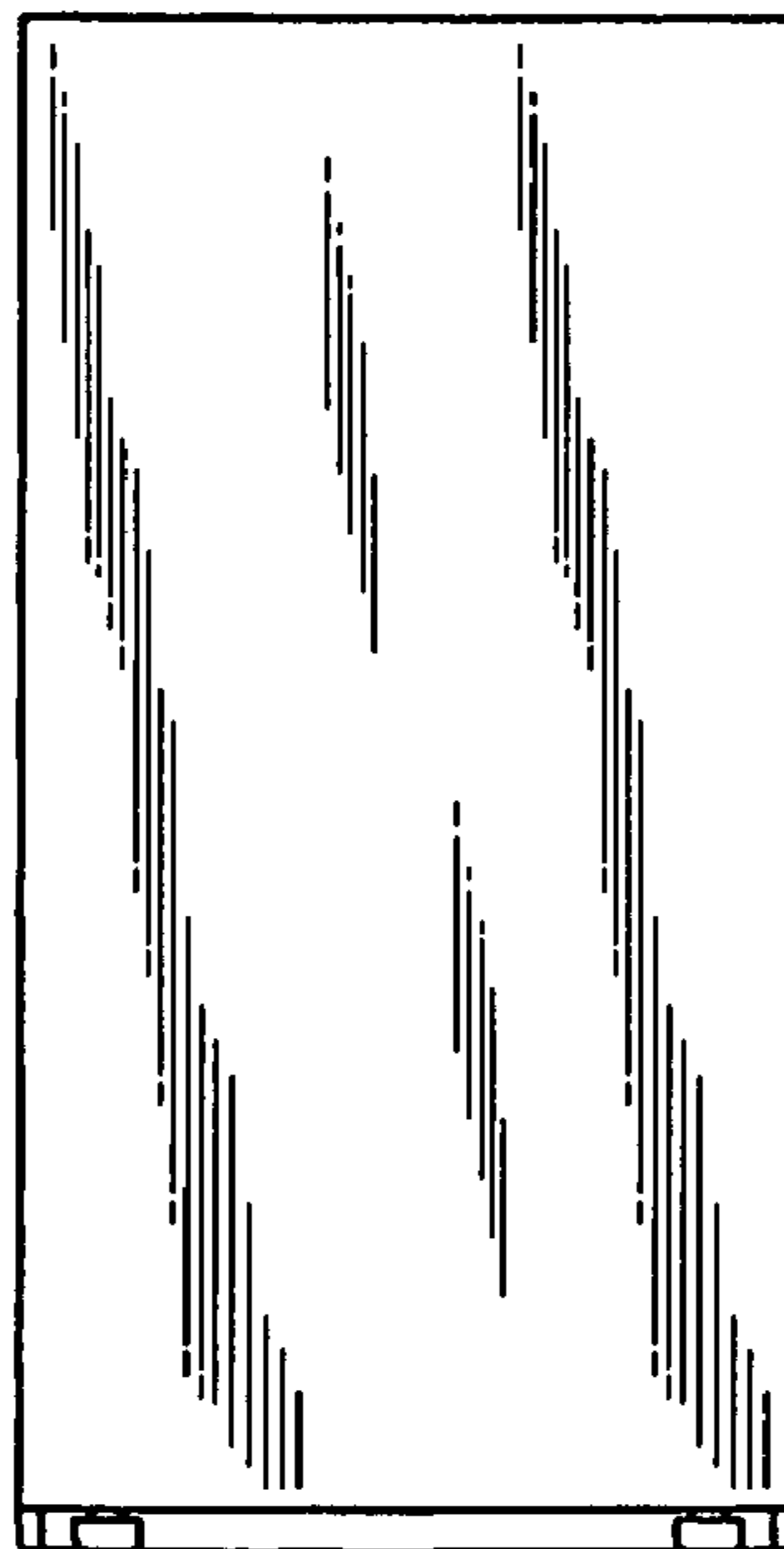


FIG. 4

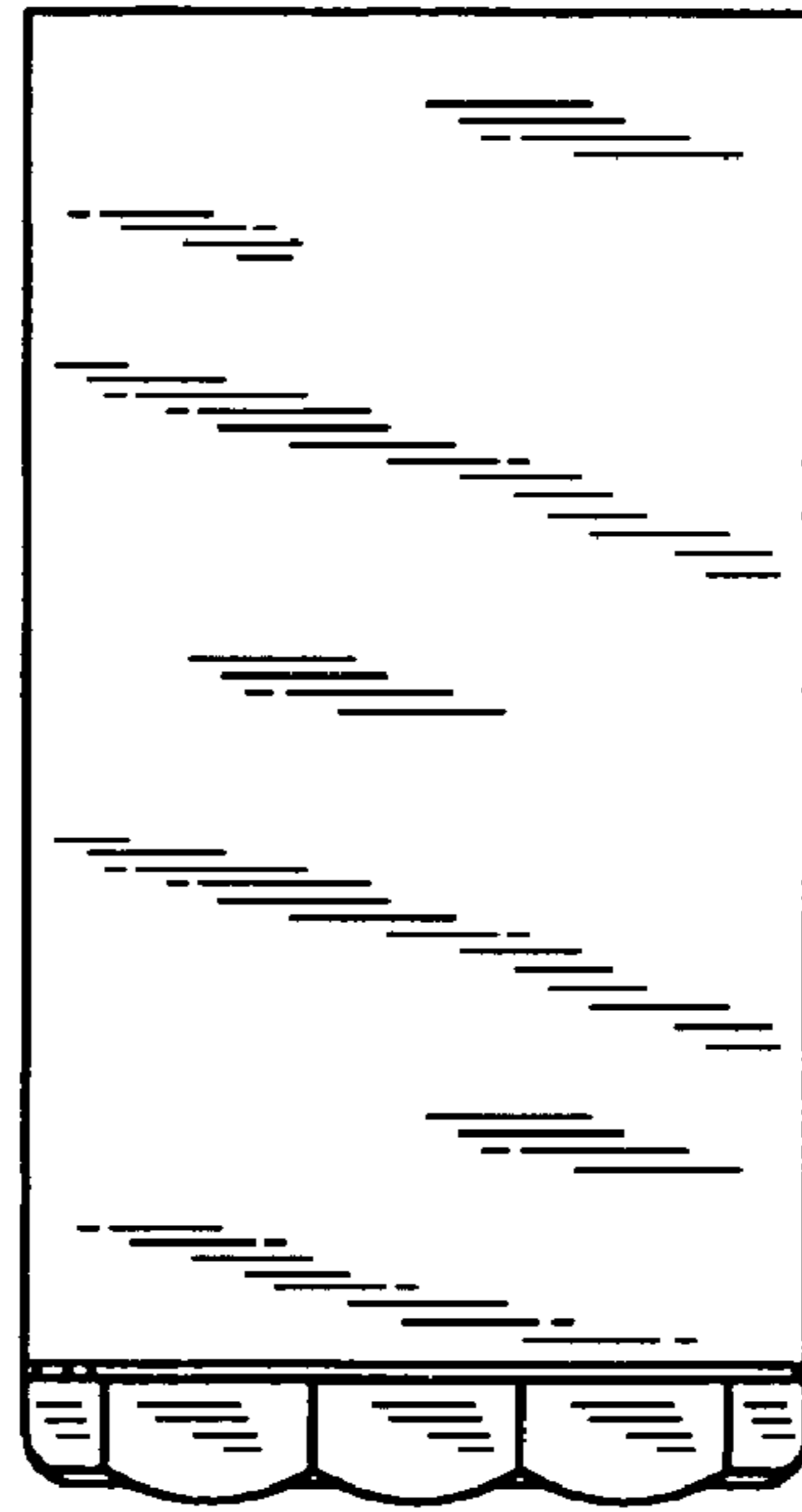


FIG. 5

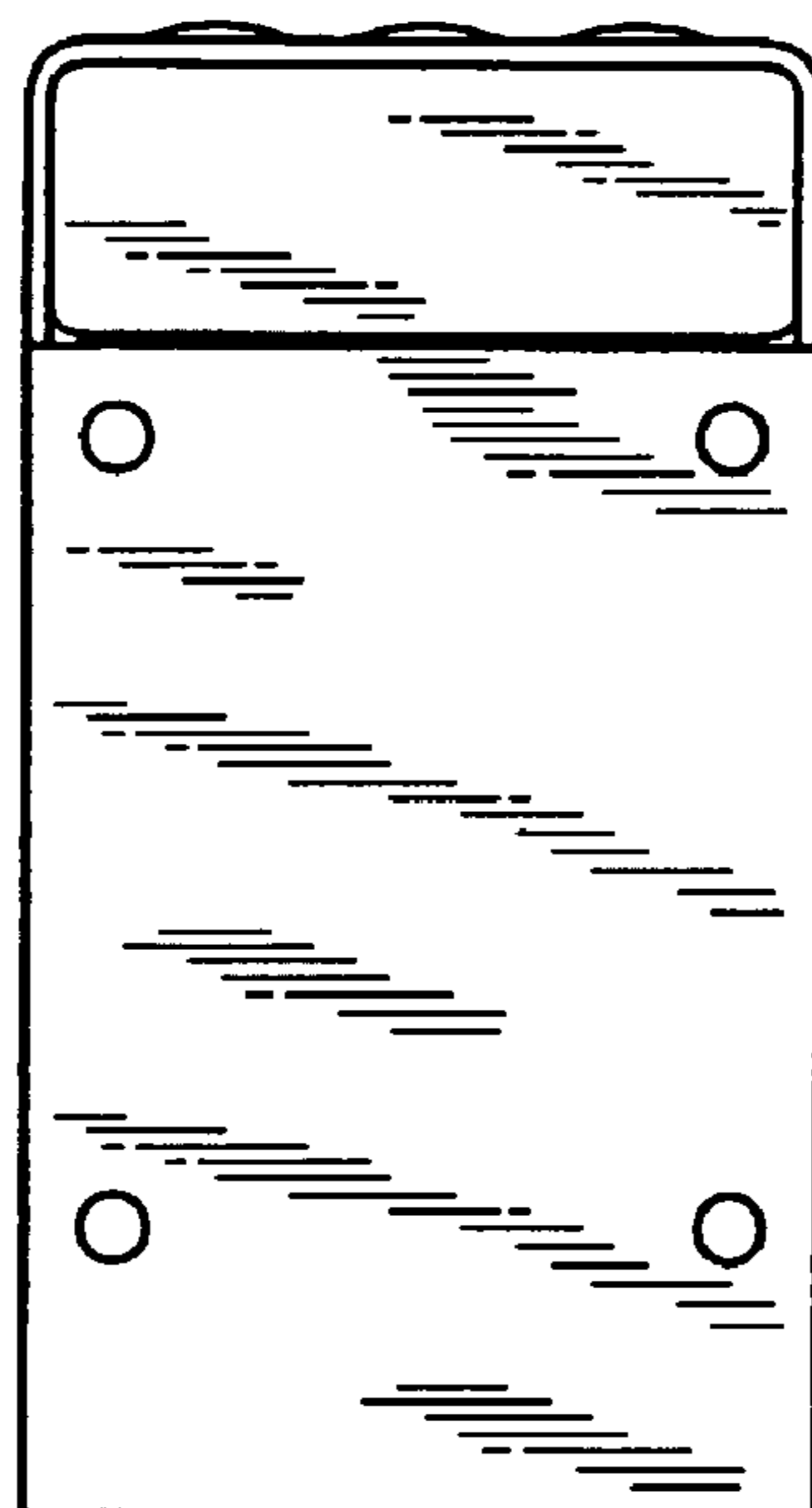


FIG. 6

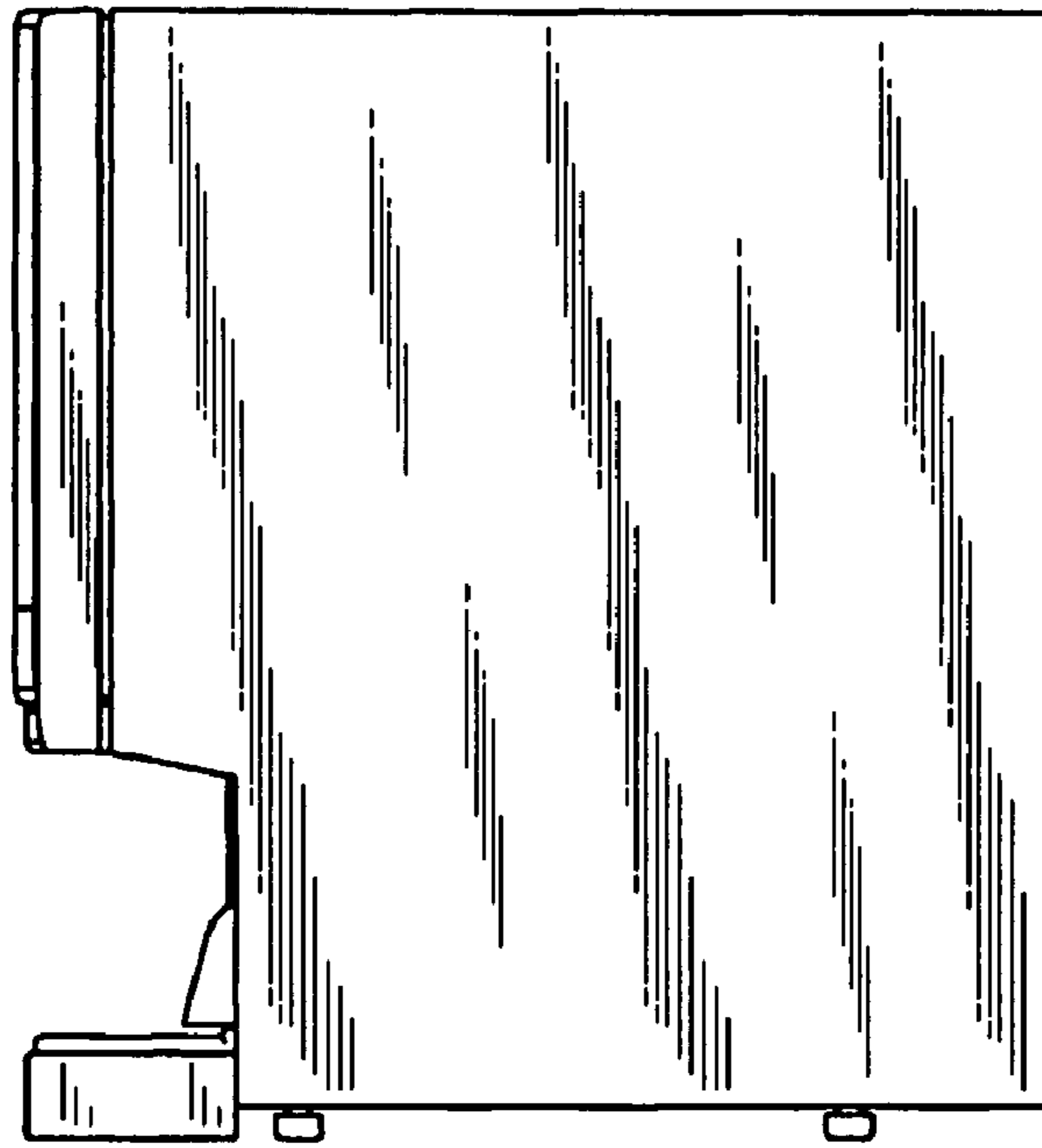


FIG. 7

