



US00D587953S

(12) **United States Design Patent**
Aliberti

(10) **Patent No.:** **US D587,953 S**
(45) **Date of Patent:** **** Mar. 10, 2009**

(54) **SAFETY DRINKING STRAW**

(76) Inventor: **Francine Aliberti**, 322 Valeview Dr.,
West Mifflin, PA (US) 15122

(**) Term: **14 Years**

(21) Appl. No.: **29/308,183**

(22) Filed: **Jun. 2, 2008**

(51) **LOC (9) Cl.** **07-06**

(52) **U.S. Cl.** **D7/300.2**

(58) **Field of Classification Search** D7/300.2,
D7/507, 509, 510, 619.1-625; D9/716, 717;
D24/108; 215/229, 388, 389; 206/216; 239/16,
239/24-33; 210/266, 282

See application file for complete search history.

(56) **References Cited**

U.S. PATENT DOCUMENTS

248,843	A	11/1881	Bower	
1,287,103	A	12/1918	Richard	
D271,836	S *	12/1983	Border	D7/300.2
4,995,976	A	2/1991	Vermes et al.	
5,156,335	A	10/1992	Smith et al.	
D332,198	S	1/1993	Goodman, Jr.	
5,427,315	A	6/1995	Lipson	
5,427,316	A *	6/1995	Leone	239/33
5,509,605	A	4/1996	Cripe	
D427,477	S *	7/2000	Pope	D7/300.2

D487,375	S	3/2004	Bengtsson et al.	
6,745,949	B2	6/2004	Lee	
D497,509	S *	10/2004	Nelson	D7/300.2
D497,764	S *	11/2004	Nelson	D7/300.2
D498,967	S *	11/2004	White	D7/300.2
2002/0134850	A1 *	9/2002	Hollenberg	239/33
2003/0234297	A1 *	12/2003	Bloom	239/33
2005/0109857	A1 *	5/2005	Boone, Jr.	239/16
2006/0065757	A1 *	3/2006	Calabrese	239/16
2008/0023567	A1 *	1/2008	Byerly	239/33

* cited by examiner

Primary Examiner—Holly H Baynham

Assistant Examiner—Cynthia M Chin

(74) *Attorney, Agent, or Firm*—Robert C. Montgomery;
Eugene A. Vittone, II

(57) **CLAIM**

The ornamental design for a safety drinking straw, as shown and described.

DESCRIPTION

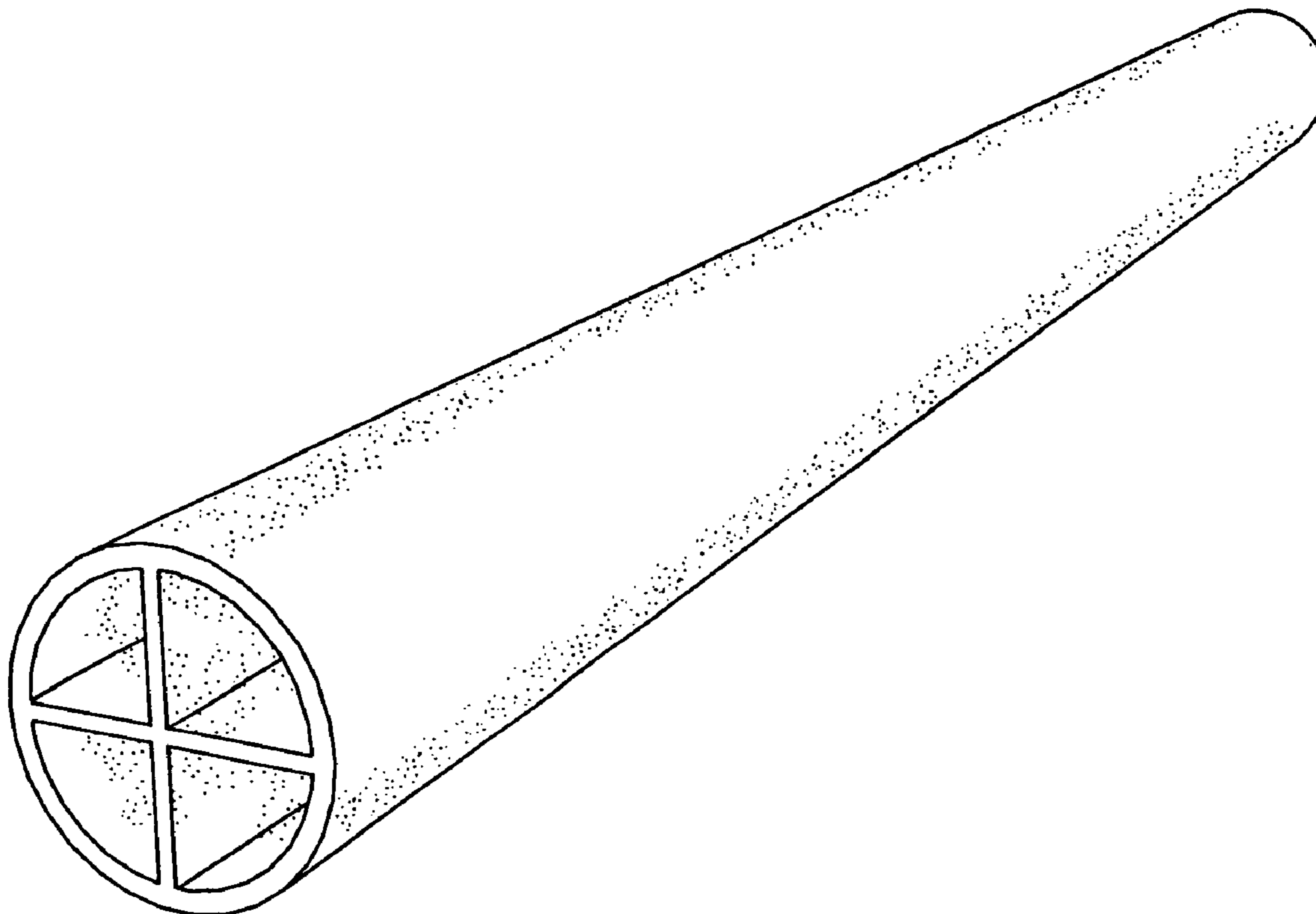
FIG. 1 is an enlarged perspective view of a safety drinking straw showing my new design;

FIG. 2 is a front view thereof;

FIG. 3 is a side view thereof; and,

FIG. 4 is a top view thereof.

1 Claim, 2 Drawing Sheets



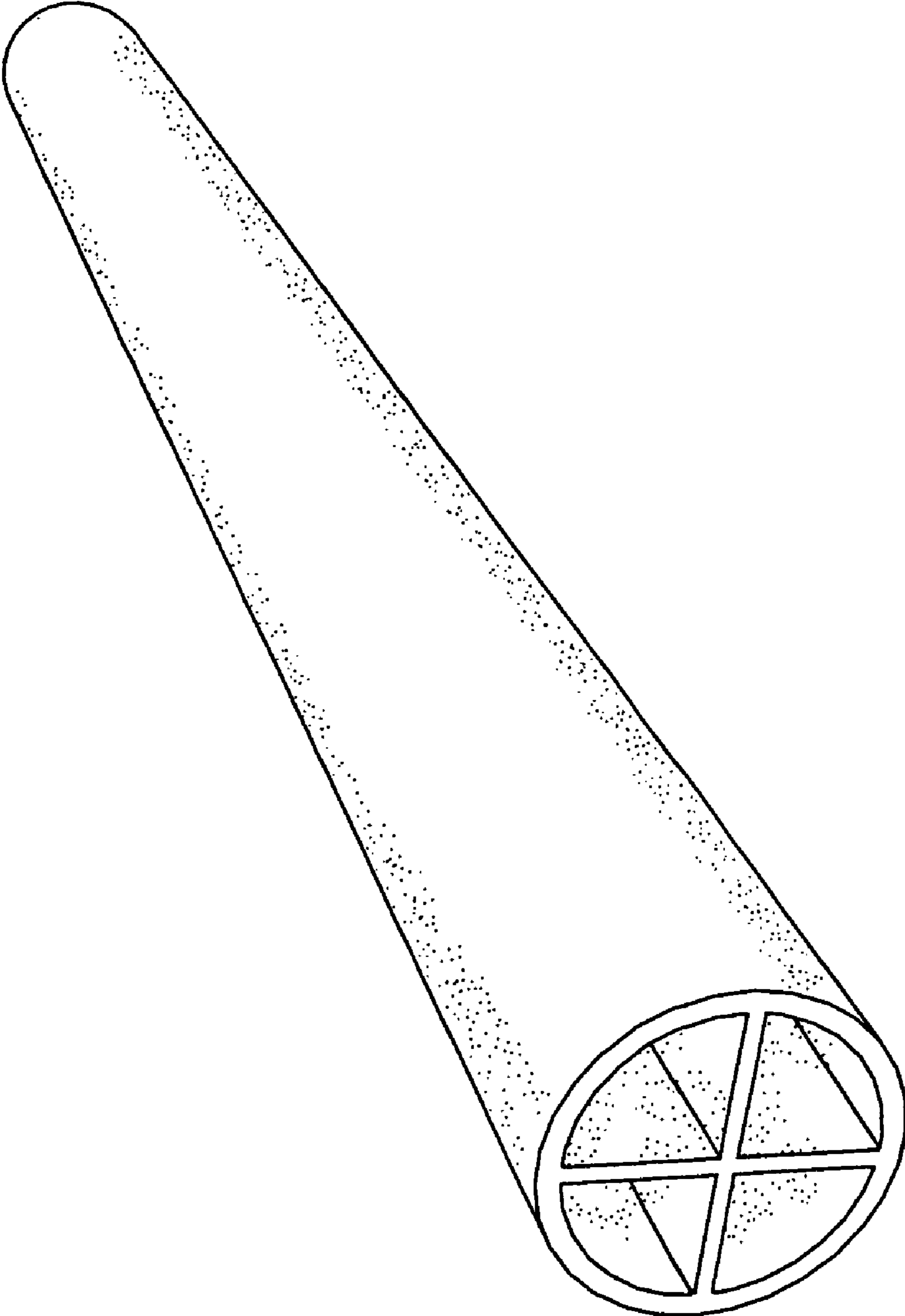


Fig. 1

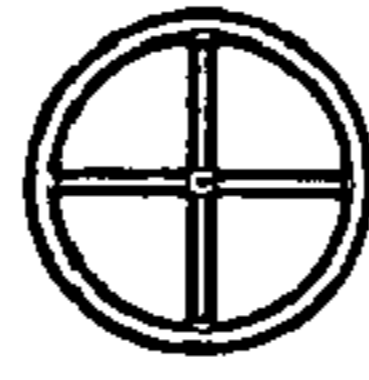


Fig. 2



Fig. 3

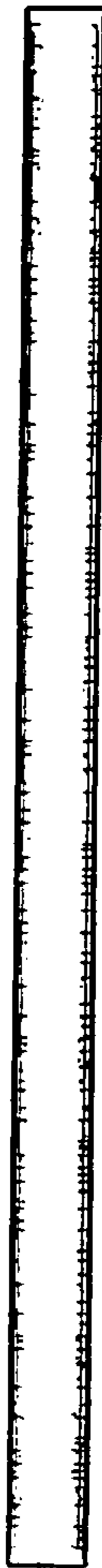


Fig. 4