



US00D587947S

(12) **United States Design Patent**
Valiulis et al.

(10) **Patent No.:** **US D587,947 S**
(45) **Date of Patent:** **** Mar. 10, 2009**

(54) **PEGBOARD RECEPTACLE**

(75) Inventors: **Thomas E. Valiulis**, Rockford, IL (US);
Robert L. Northrup, Jr., Machesney
Park, IL (US); **Patrick J. Barkdoll**,
Pecatonica, IL (US)

(73) Assignee: **Southern Imperial, Inc.**, Rockford, IL
(US)

(**) Term: **14 Years**

(21) Appl. No.: **29/303,683**

(22) Filed: **Feb. 14, 2008**

(51) **LOC (9) Cl.** **06-04**

(52) **U.S. Cl.** **D6/553**

(58) **Field of Classification Search** D6/553,
D6/567; D19/65, 75, 77, 78, 86-91, 99-100;
211/10, 11, 13.1, 44-50, 119.005, 87.01,
211/88.01, 126.13, 126.16; 229/405, 928
See application file for complete search history.

(56) **References Cited**

U.S. PATENT DOCUMENTS

D520,286 S *	5/2006	Chen et al.	D6/553
D520,794 S *	5/2006	Grover	D6/567
D544,272 S *	6/2007	Chen et al.	D6/553
D546,610 S *	7/2007	Blanchard	D6/567
D563,136 S *	3/2008	Kramer	D6/553

* cited by examiner

Primary Examiner—Brian N Vinson
(74) *Attorney, Agent, or Firm*—Reinhart Boerner Van Deuren
P.C.

(57) **CLAIM**

I claim the ornamental design for the pegboard receptacle, as shown and described.

DESCRIPTION

FIG. 1 is a perspective view of a pegboard receptacle for mounting to a slatwall or pegboard in accordance with an embodiment of the present invention, in which the pegboard receptacle may be opaque and in which dash lines are used to demonstrate that such features as a plastic material gate or other such surface interruptions are optional and form no part of the claim design;

FIG. 2 is a right-side view of the receptacle shown in FIG. 1; FIG. 3 is a left-side view of the receptacle shown in FIG. 1;

FIG. 4 is a top view of the receptacle shown in FIG. 1;

FIG. 5 is a bottom view of the receptacle shown in FIG. 1;

FIG. 6 is a front view of the receptacle shown in FIG. 1;

FIG. 7 is a rear view of the receptacle shown in FIG. 1;

FIG. 8 is a perspective view of a pegboard receptacle for mounting to a slatwall or pegboard in accordance with an embodiment of the present invention, in which the pegboard receptacle may be translucent and in which dash lines are used to demonstrate that such features as a plastic material gate or other such surface interruptions are optional and form no part of the claim design;

FIG. 9 is a right-side view of the receptacle shown in FIG. 8;

FIG. 10 is a left-side of the receptacle shown in FIG. 8;

FIG. 11 is a top view of the receptacle shown in FIG. 8;

FIG. 12 is a bottom view of the receptacle shown in FIG. 8;

FIG. 13 is a front view of the receptacle shown in FIG. 8; and,

FIG. 14 is a rear view of the receptacle shown in FIG. 8.

1 Claim, 8 Drawing Sheets

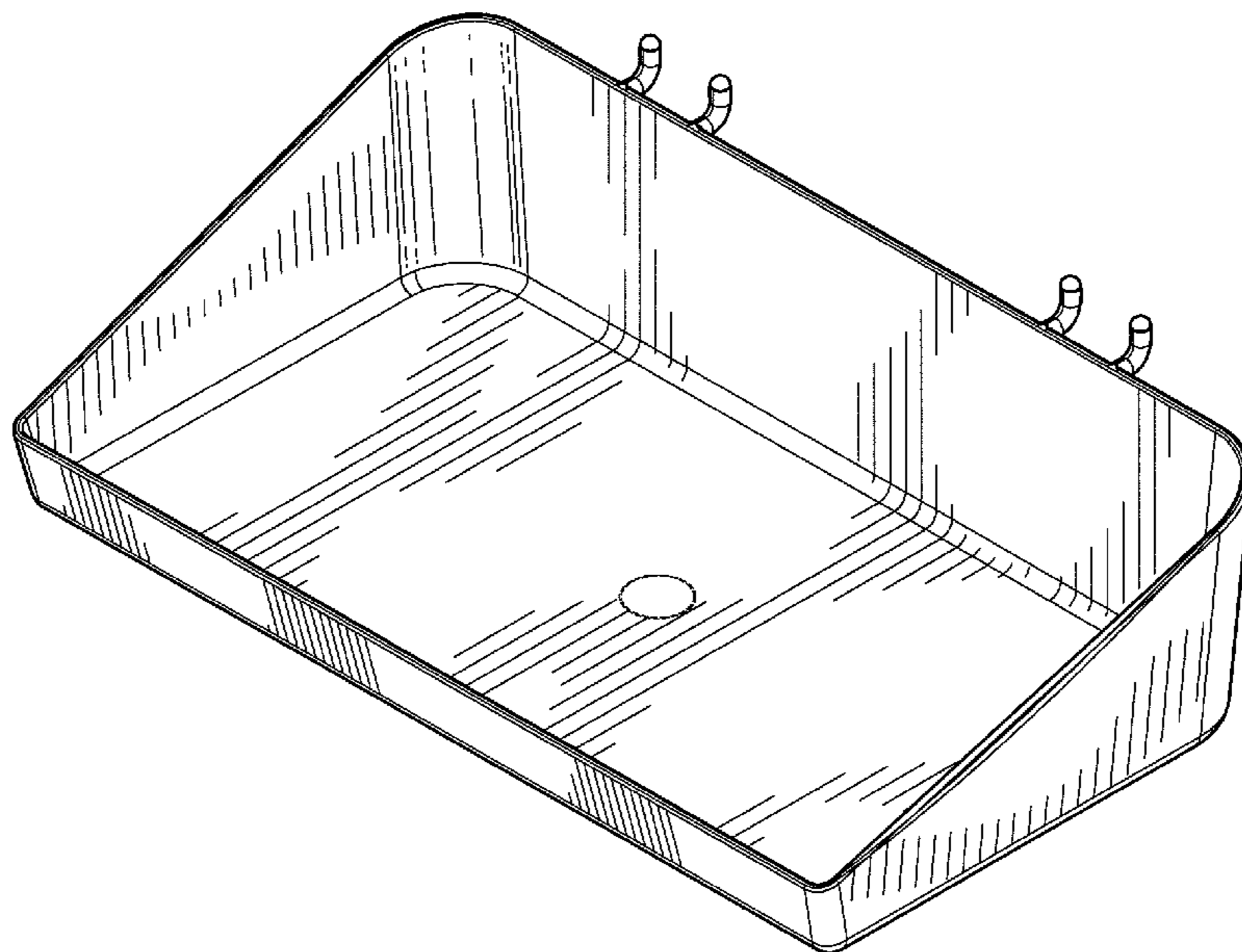


FIG. 1

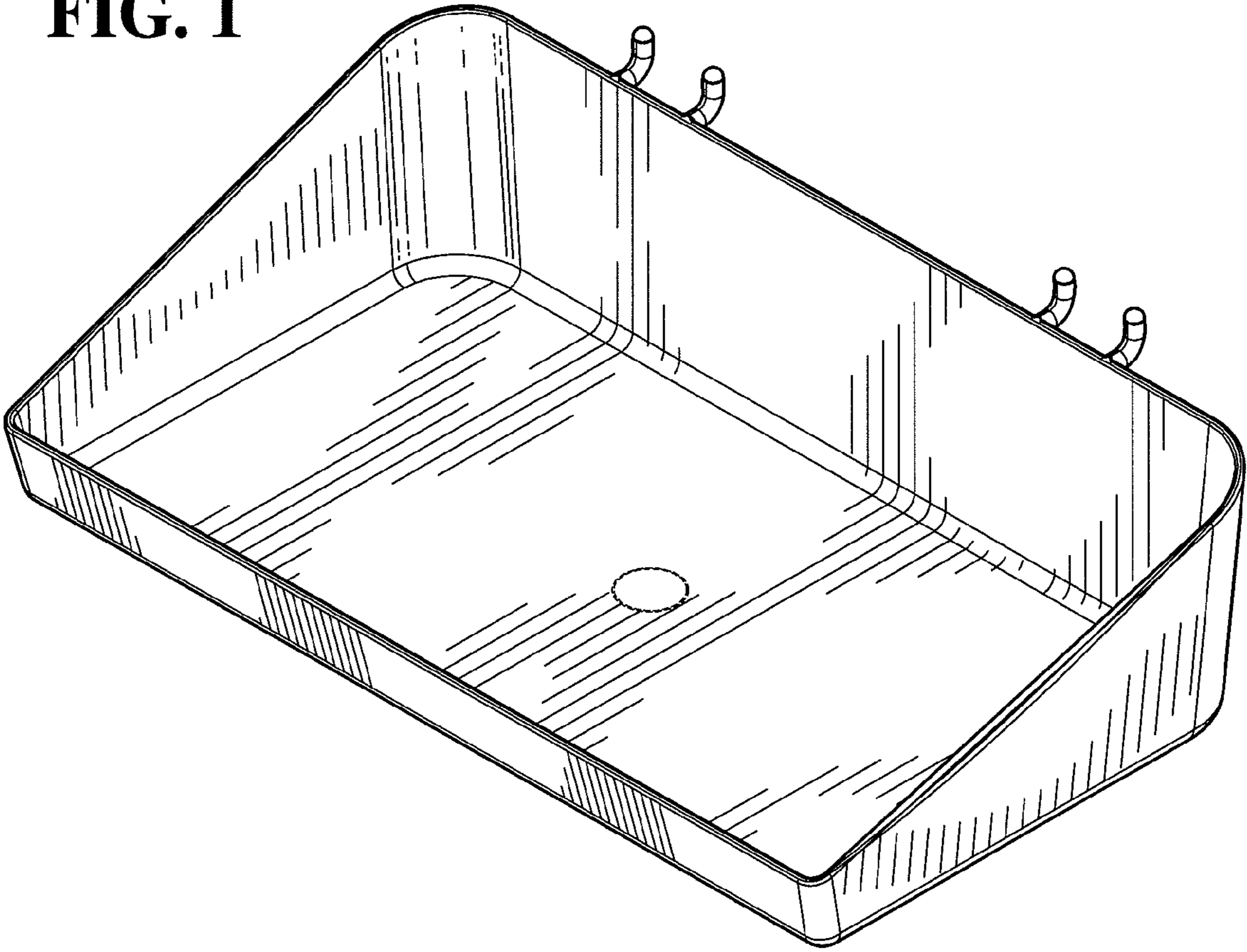


FIG. 2

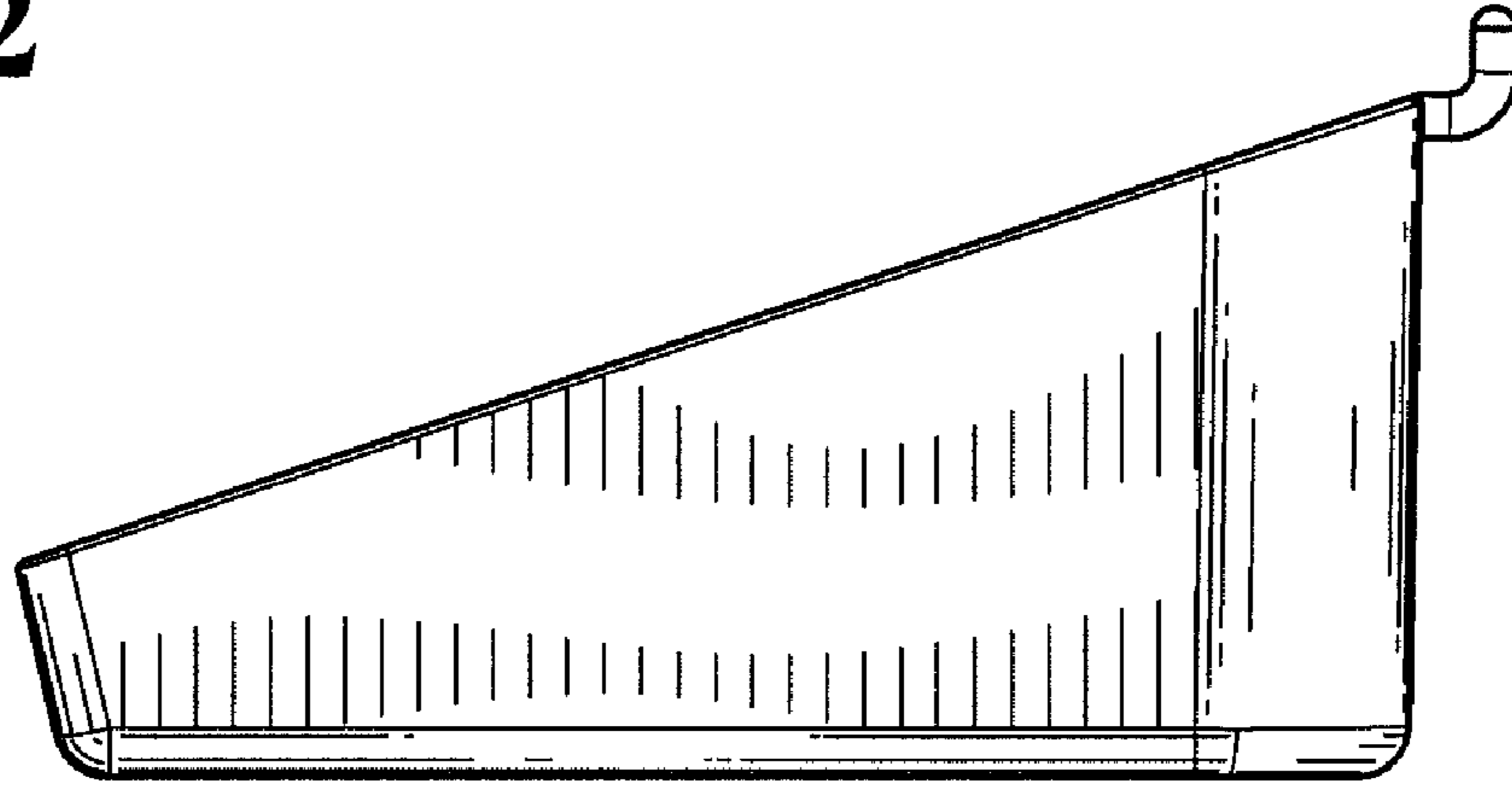


FIG. 3

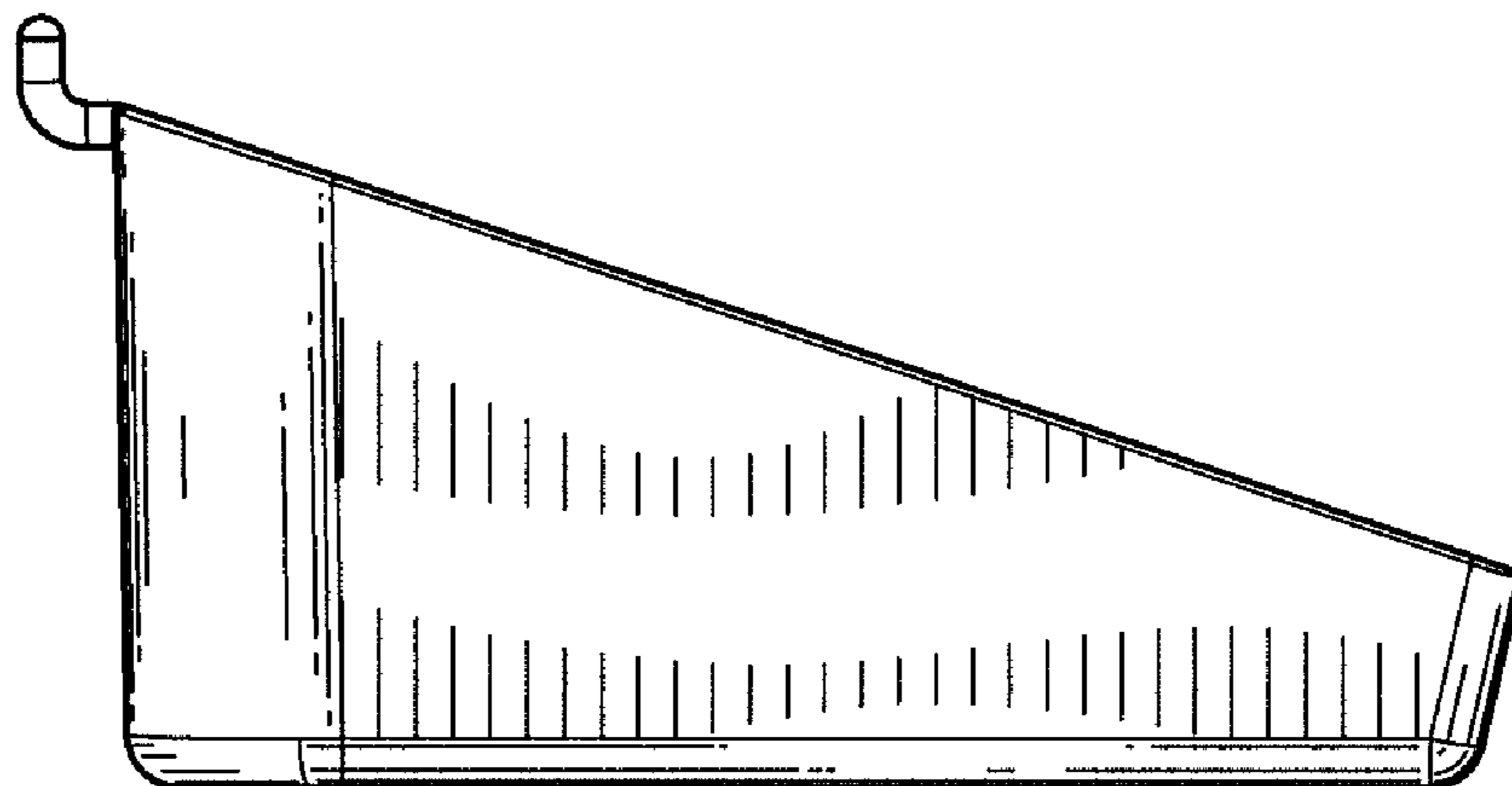


FIG. 5

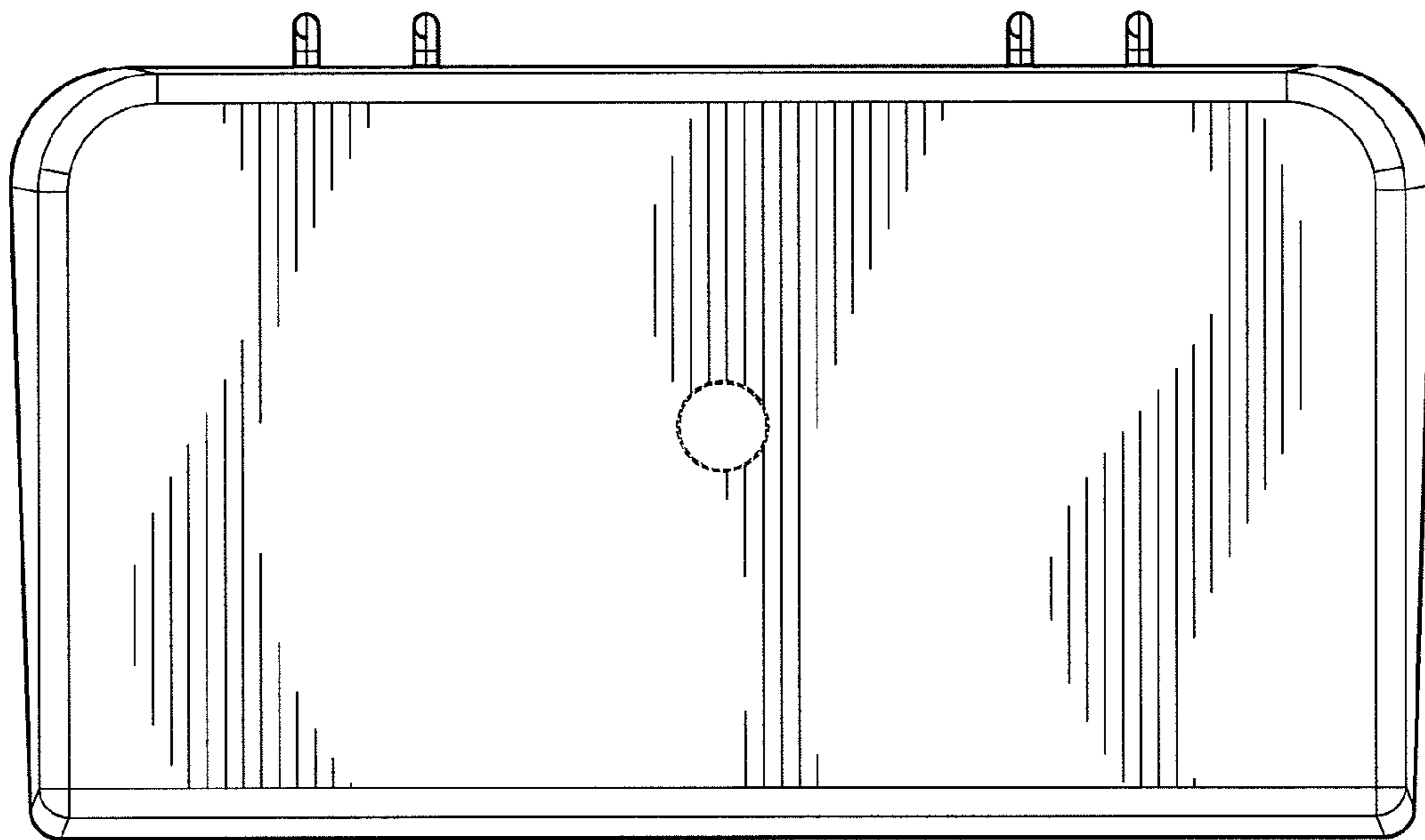


FIG. 4

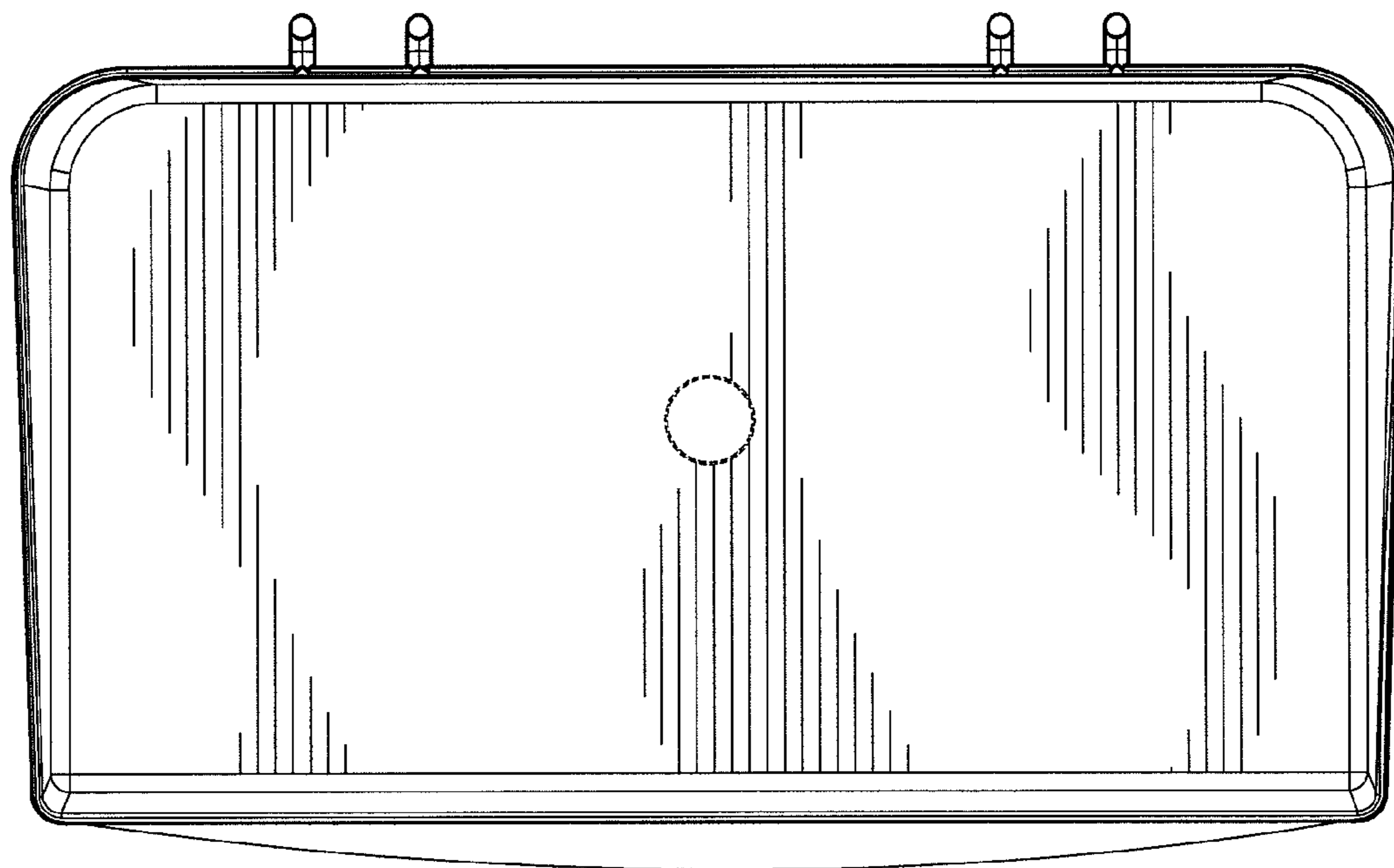


FIG. 6

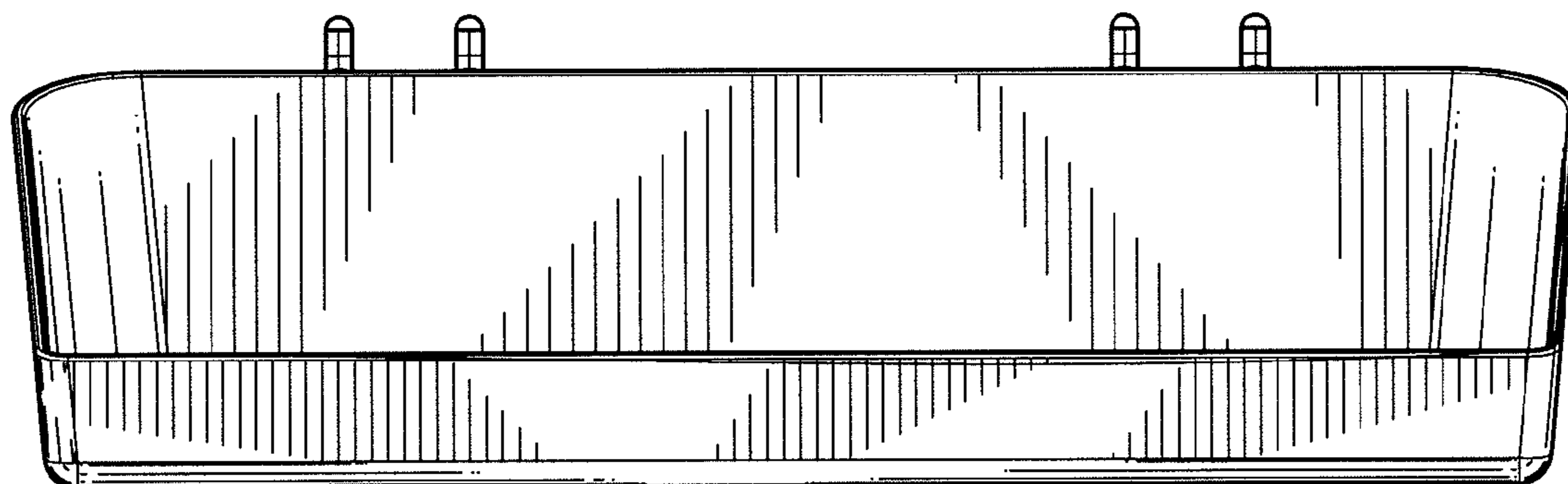


FIG. 7

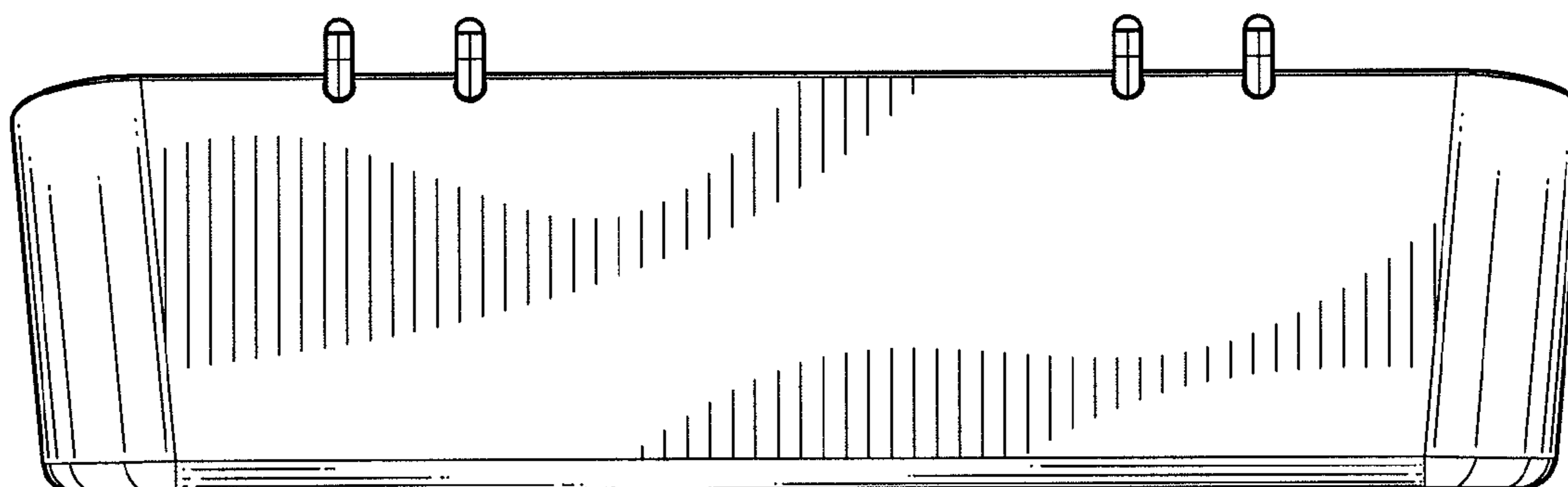


FIG. 8

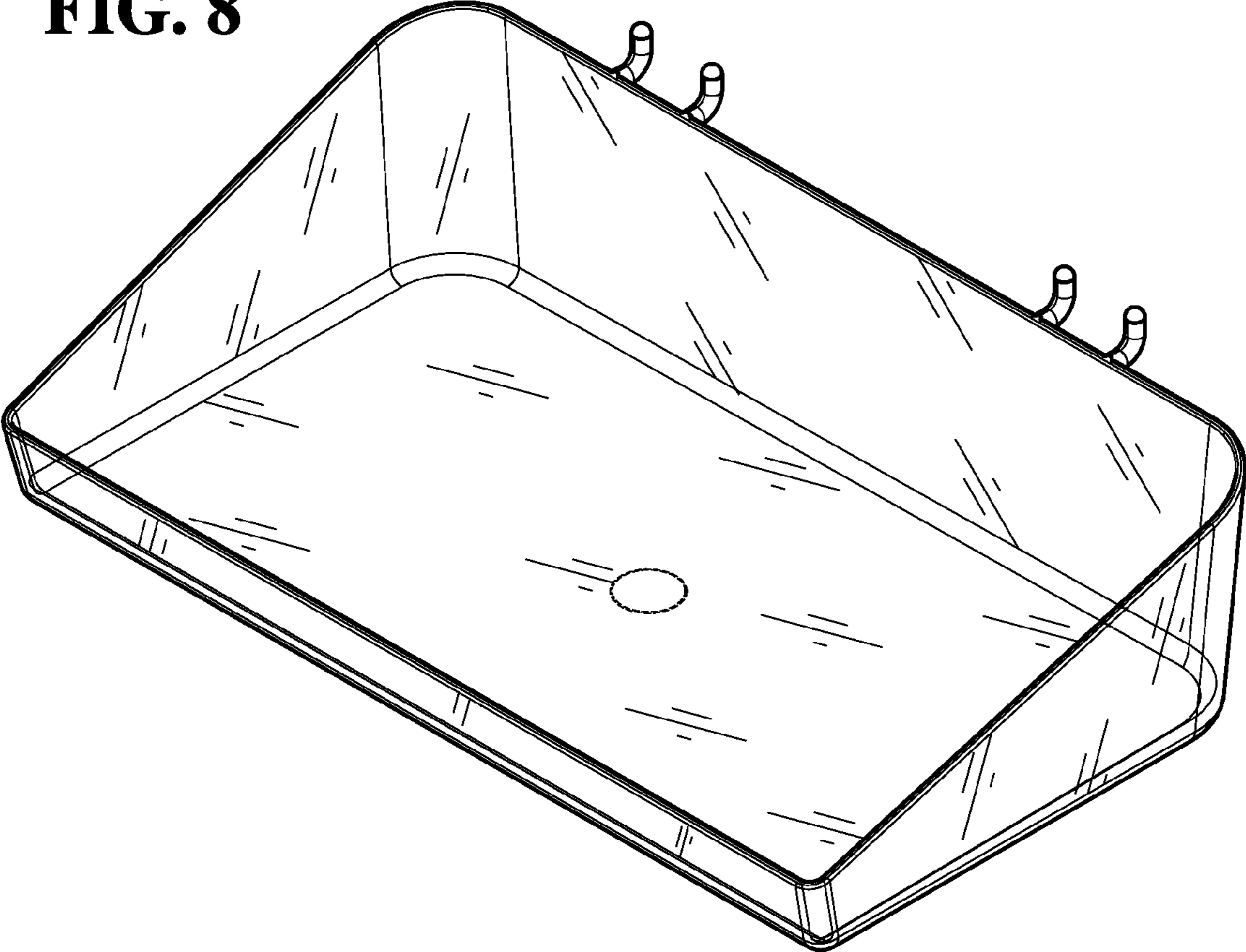


FIG. 9

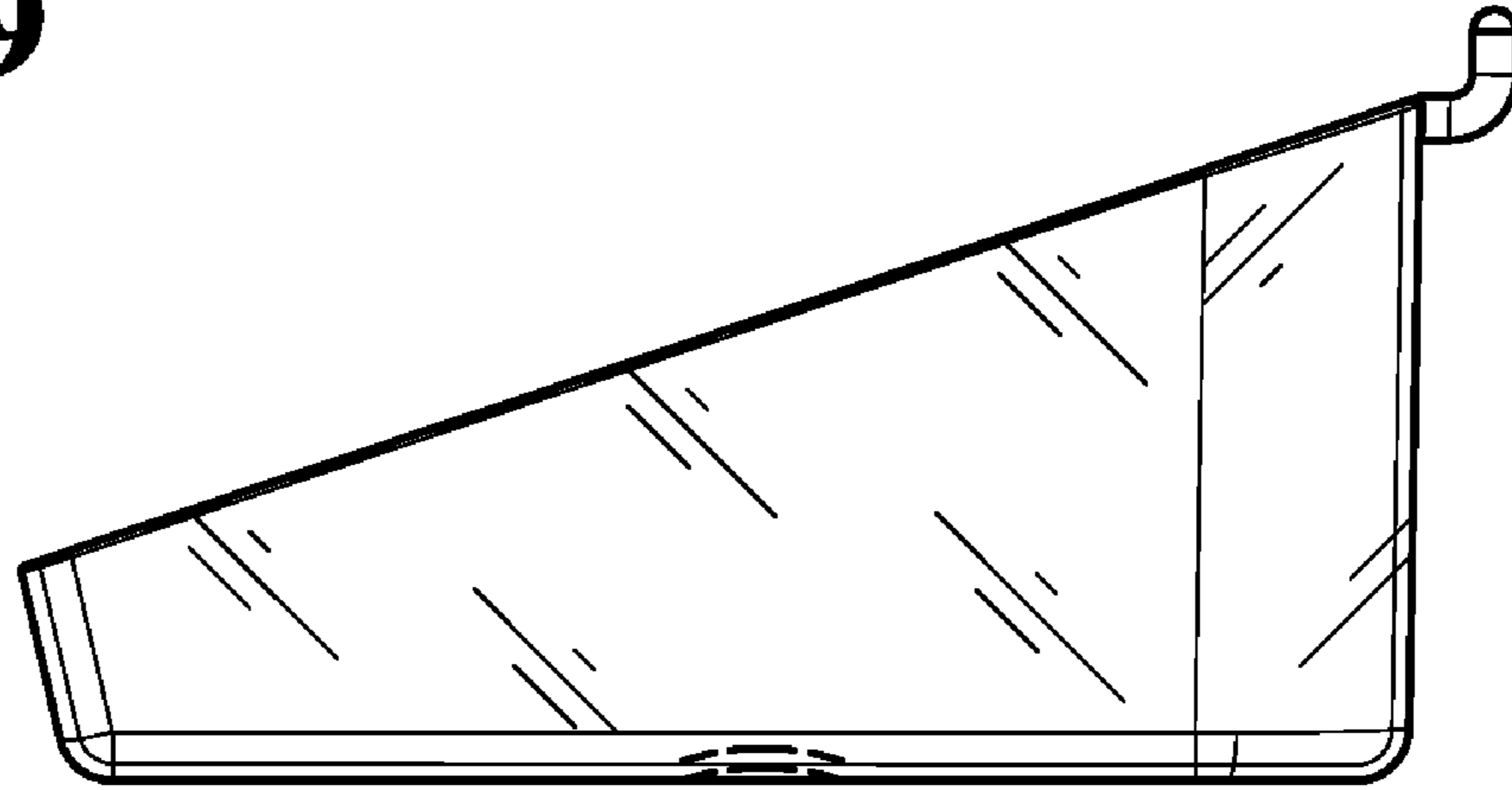


FIG. 10

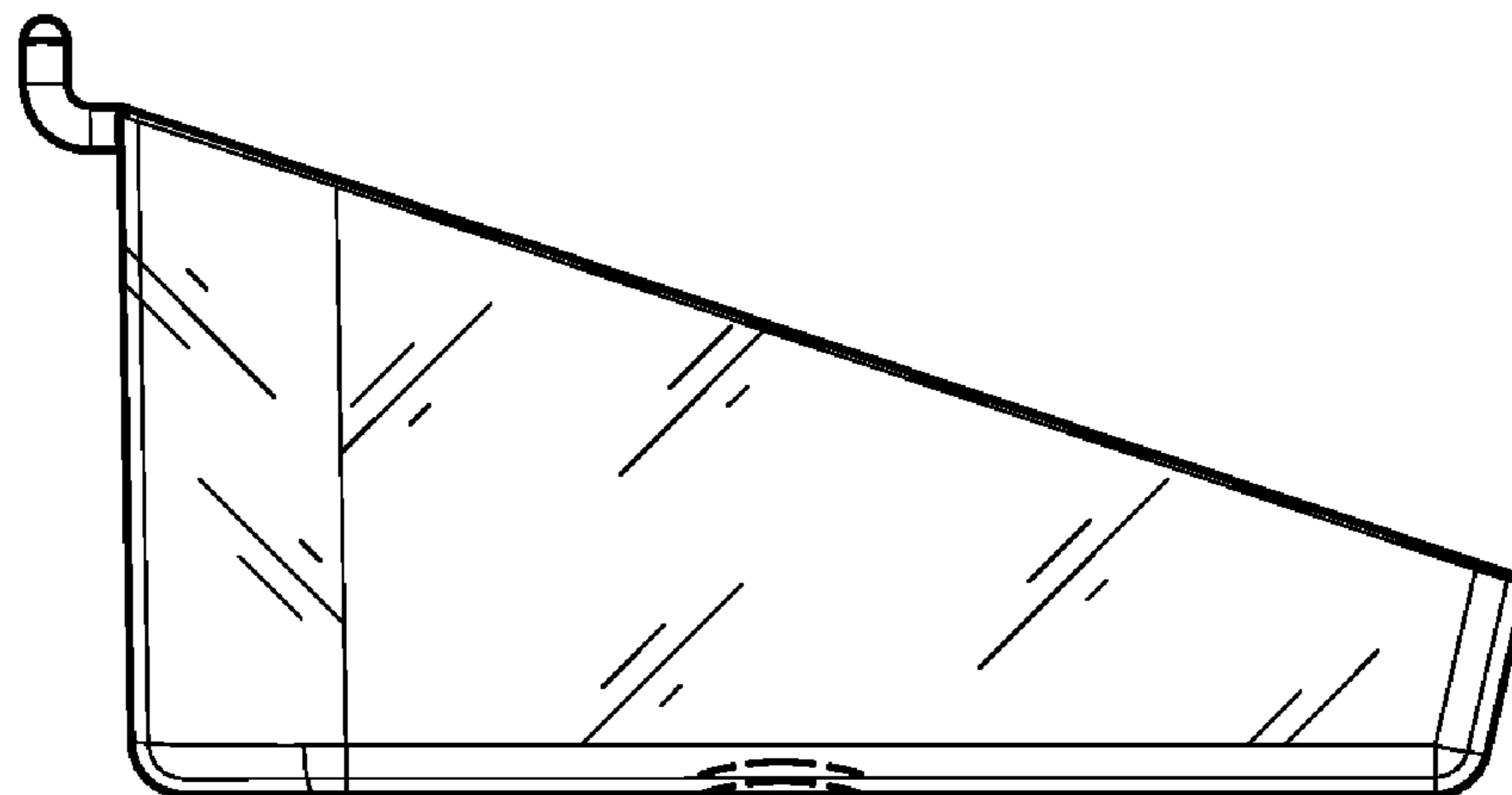


FIG. 12

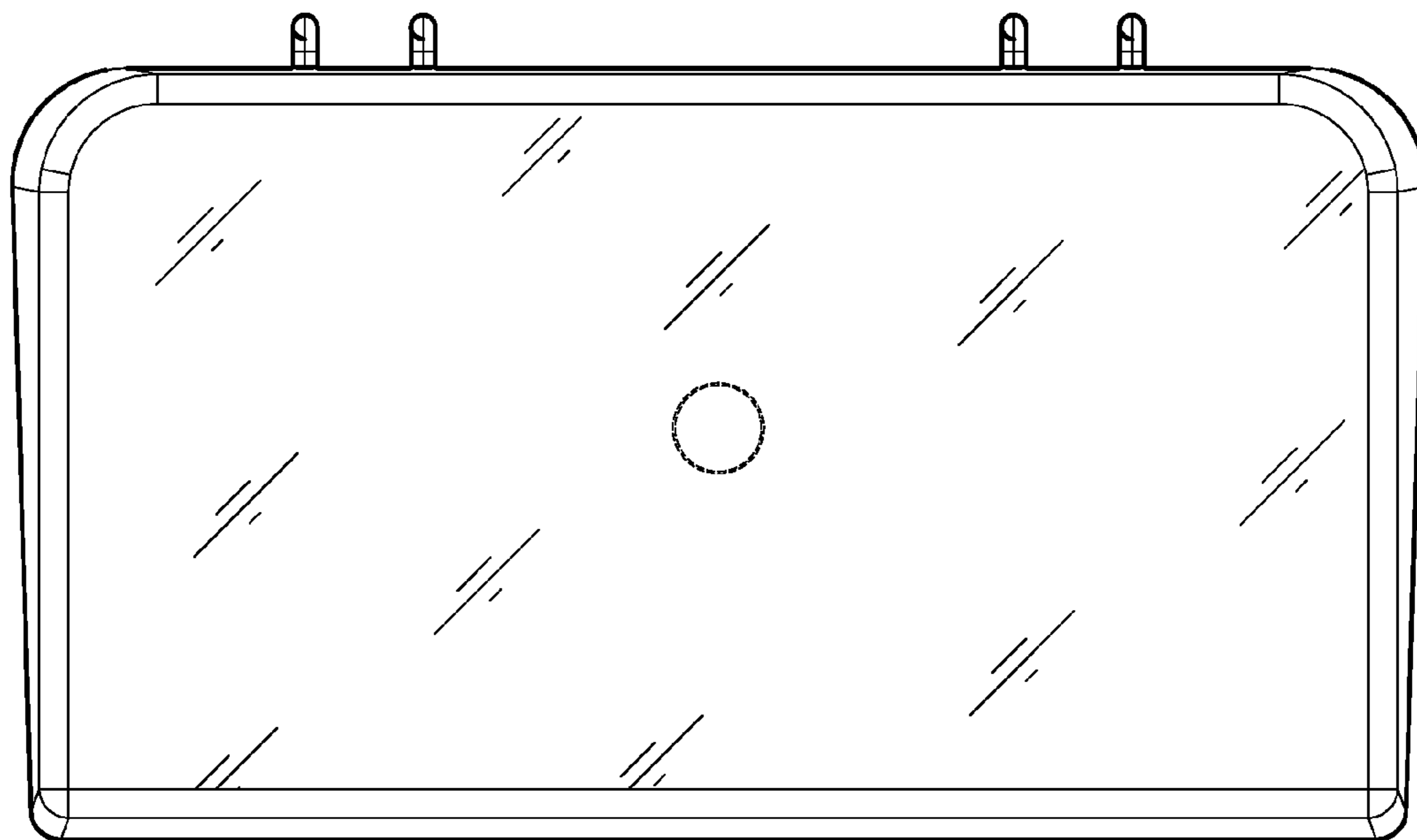


FIG. 11

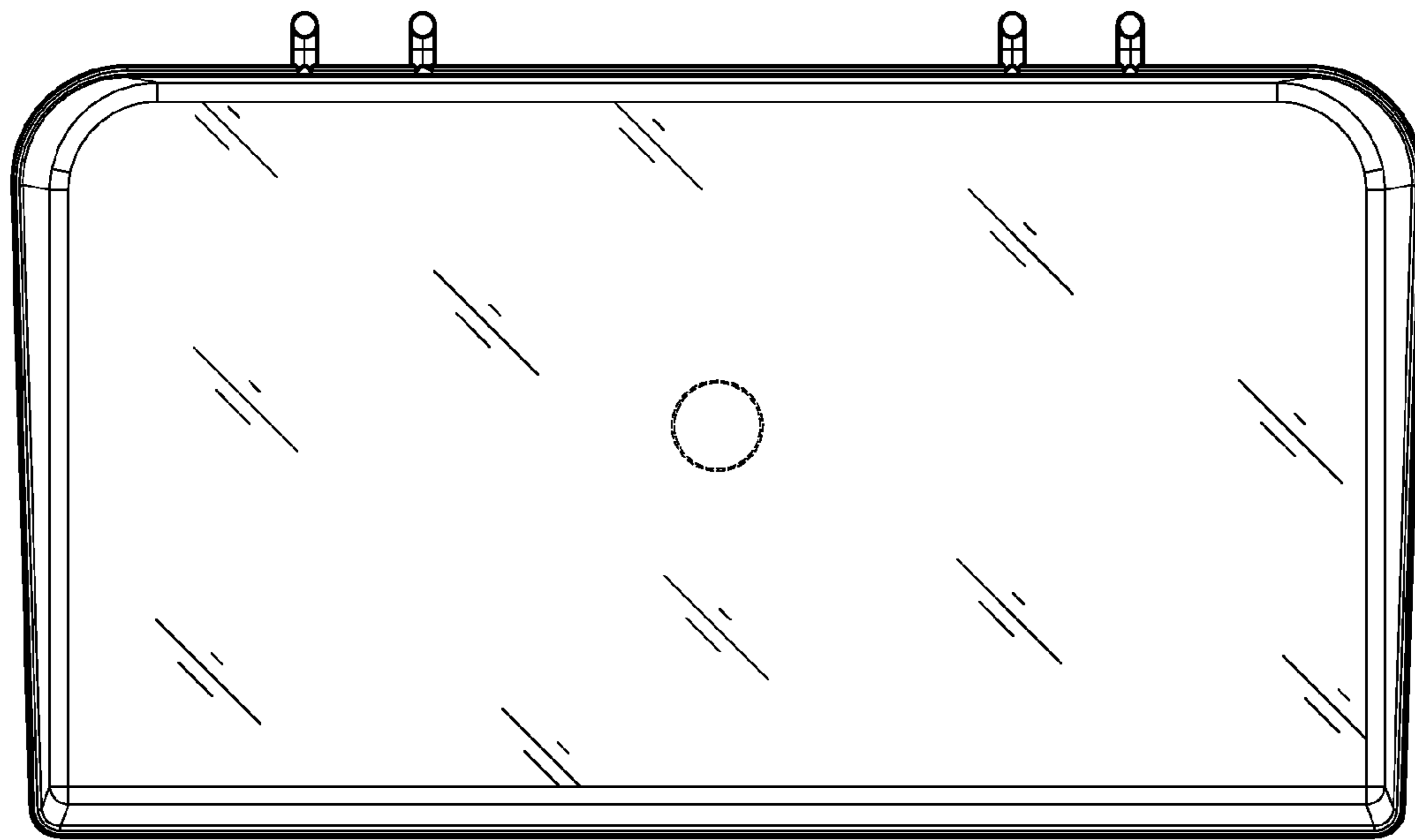


FIG. 13

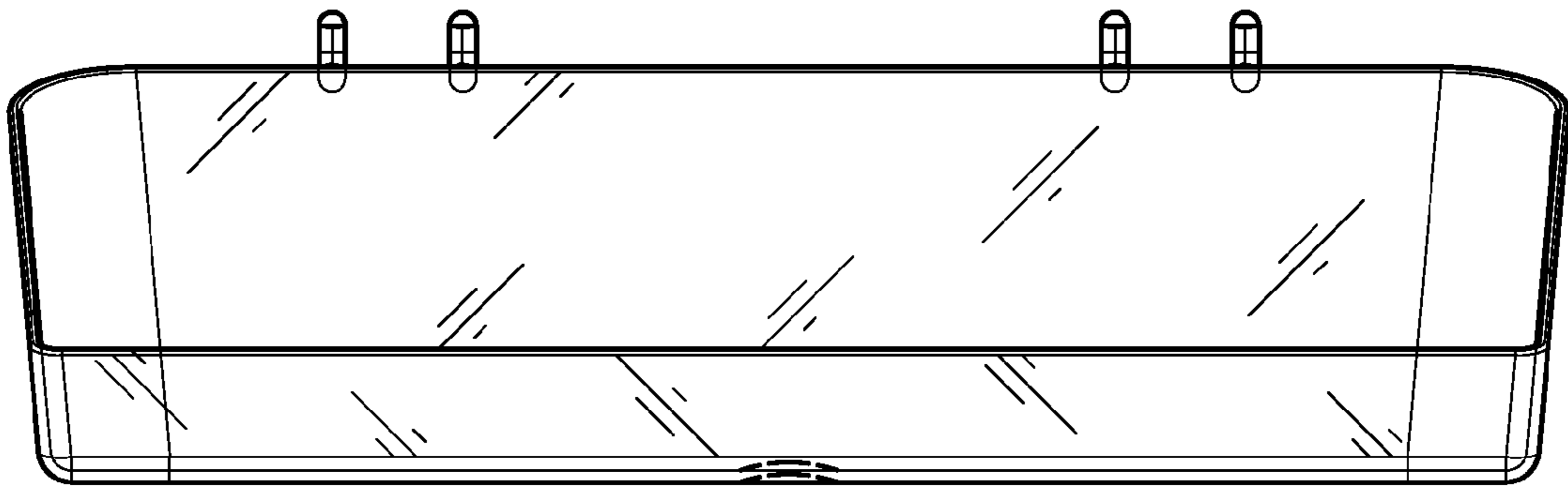


FIG. 14

