



US00D587945S

(12) **United States Design Patent**
Rubin et al.

(10) **Patent No.:** **US D587,945 S**
(45) **Date of Patent:** **** Mar. 10, 2009**

(54) **WALL MOUNTABLE SUPPORT**

(75) Inventors: **Leila M. Rubin**, Sheboygan, WI (US);
Herbert V. Kohler, Jr., Kohler, WI (US)

(73) Assignee: **Kohler Co.**, Kohler, WI (US)

(**) Term: **14 Years**

(21) Appl. No.: **29/324,508**

(22) Filed: **Sep. 12, 2008**

Related U.S. Application Data

(62) Division of application No. 29/279,809, filed on May 8, 2007, now Pat. No. Des. 577,939.

(51) **LOC (9) Cl.** **06-04**

(52) **U.S. Cl.** **D6/548**

(58) **Field of Classification Search** D6/546-550,
D6/518-519, 522-524; D8/300, 303, 315-321,
D8/354, 363, 373, 380; 108/28-29; 211/13.1,
211/16, 60.1, 86.01, 87.01, 88.01, 88.04,
211/100, 105.1-105.2, 119.003, 123, 126.1,
211/133.6, 134, 181.1, 182; 248/175, 176.1,
248/200, 214, 251, 302, 309.1; 16/110.1,
16/412, 415; 242/570, 590; 206/389, 557
See application file for complete search history.

(56) **References Cited**

U.S. PATENT DOCUMENTS

D477,169 S *	7/2003	Hoernig	D6/548
D485,464 S *	1/2004	Clucas	D6/566
D492,868 S *	7/2004	Ayers et al.	D6/524
D493,313 S *	7/2004	Hoernig	D6/524
D540,594 S *	4/2007	Hoernig	D6/548

OTHER PUBLICATIONS

Kohler Co. "Bancroft 28" Tower Bar". Model No. K-11410. Kohler Co. online catalog. Copyright 2007 Kohler Co.
Danze. "Plymouth Double Towel Bar 24". HomePortfolio.com online catalog. Copyright 1997-2007 HomePortfolio Inc.

Kohler Co. "Devonshire 24" double towel bar". Model No. K-10553. Kohler Co. online catalog. c Copyright 2007 Kohler Co.
Atelier Design Group. "Complements Collection". Model No. Complements #501401. HomePortfolio.com online catalog. Copyright 1997-2007 HomePortfolio Inc.
Bath Emporium. "Towel Racks". BathEmporium.com online catalog. Copyright Bath Emporium.
Use. "Nuovo 20" Shelf/Towel Rod". Model No. 1690.01. HomePortfolio.com online catalog. Copyright 1997-2007 HomePortfolio Inc.
Ginger. "Canterbury Shelf with Towel Bar". HomePortfolio.com online catalog. Copyright 1997-2007 HomePortfolio Inc.
Ginger. "Circa 20" Hotel Shelf with Towel Bar", HomePortfolio.com online catalog. Copyright 1997-2007 HomePortfolio Inc.

* cited by examiner

Primary Examiner—Brian N Vinson

(74) *Attorney, Agent, or Firm*—Quarles & Brady LLP

(57) **CLAIM**

The ornamental design for a wall mountable support, as shown and described.

DESCRIPTION

In a preferred embodiment, the nature of this product is a wall mountable support, such as a double ledge shelf.

FIG. 1 is a left, top, front perspective view of a wall mountable support according to our new design;

FIG. 2 is a top plan view thereof;

FIG. 3 is a left side elevational view thereof, the right side elevational view thereof being a mirror image of the left side shown;

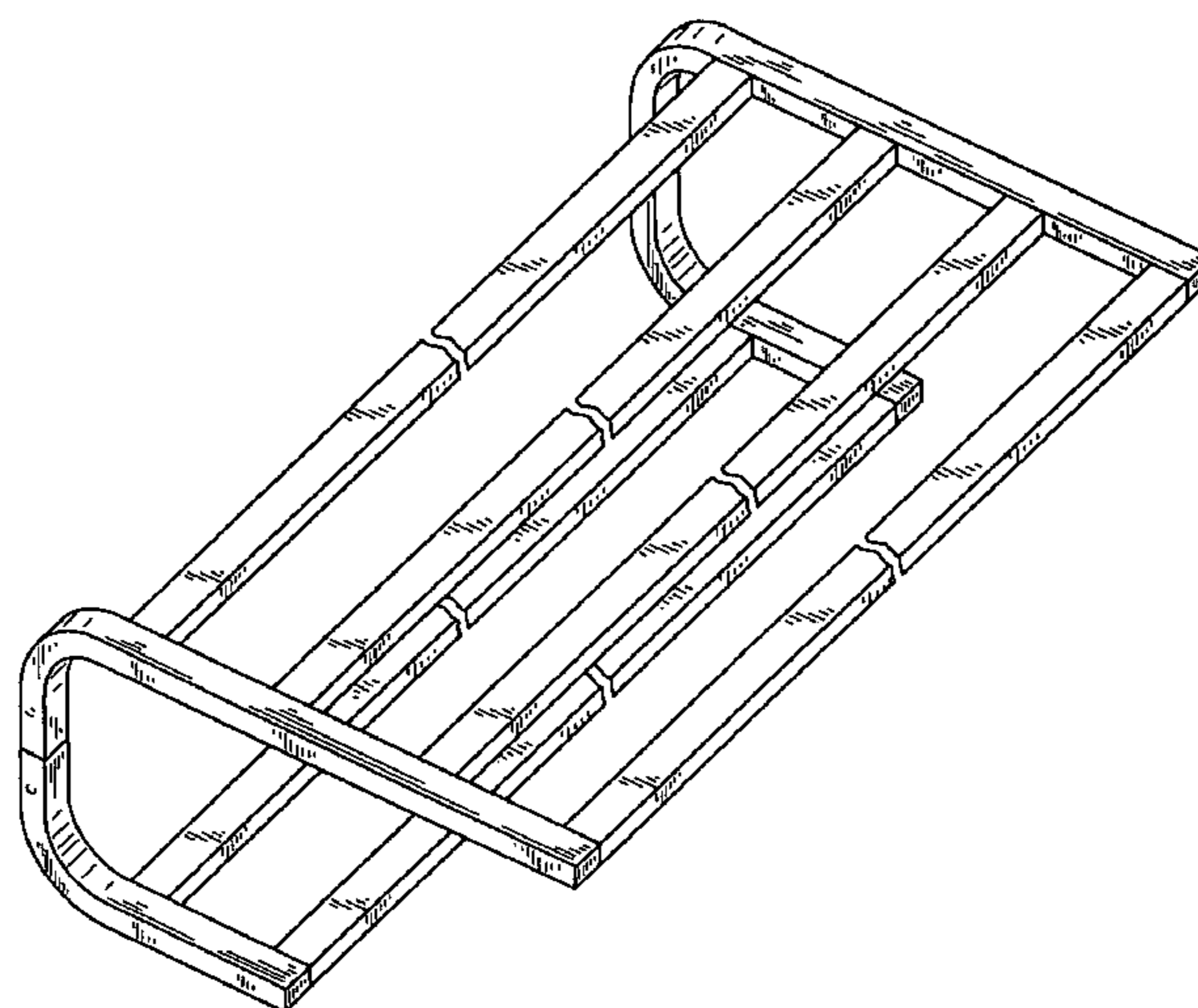
FIG. 4 is a front elevational view thereof;

FIG. 5 is a rear elevational view thereof; and,

FIG. 6 is a bottom plan view thereof.

The broken line disclosure in the views is for illustrative purposes only and forms no part of the claimed design. The broken away horizontal elements are understood to indicate unclaimed length.

1 Claim, 5 Drawing Sheets



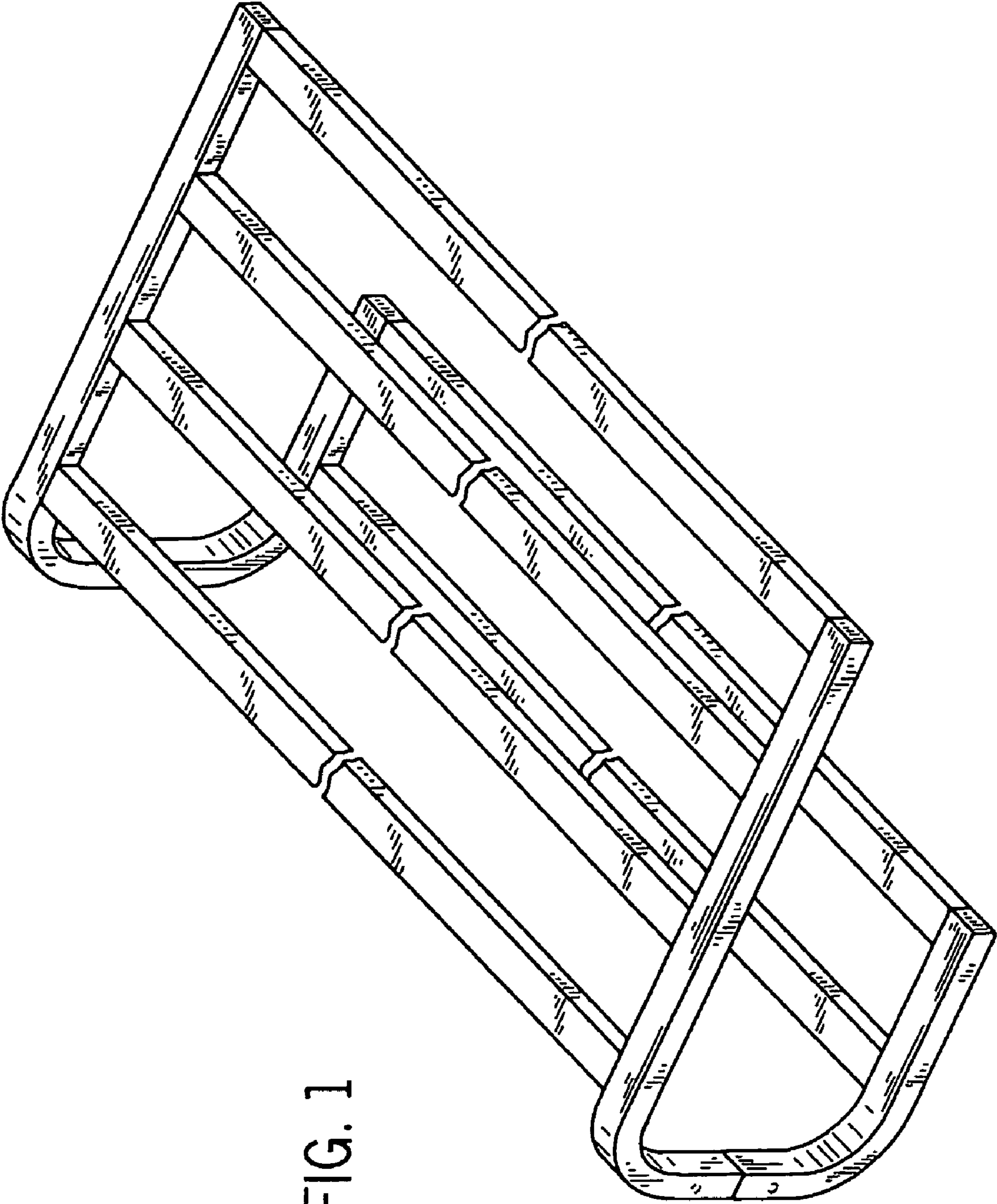
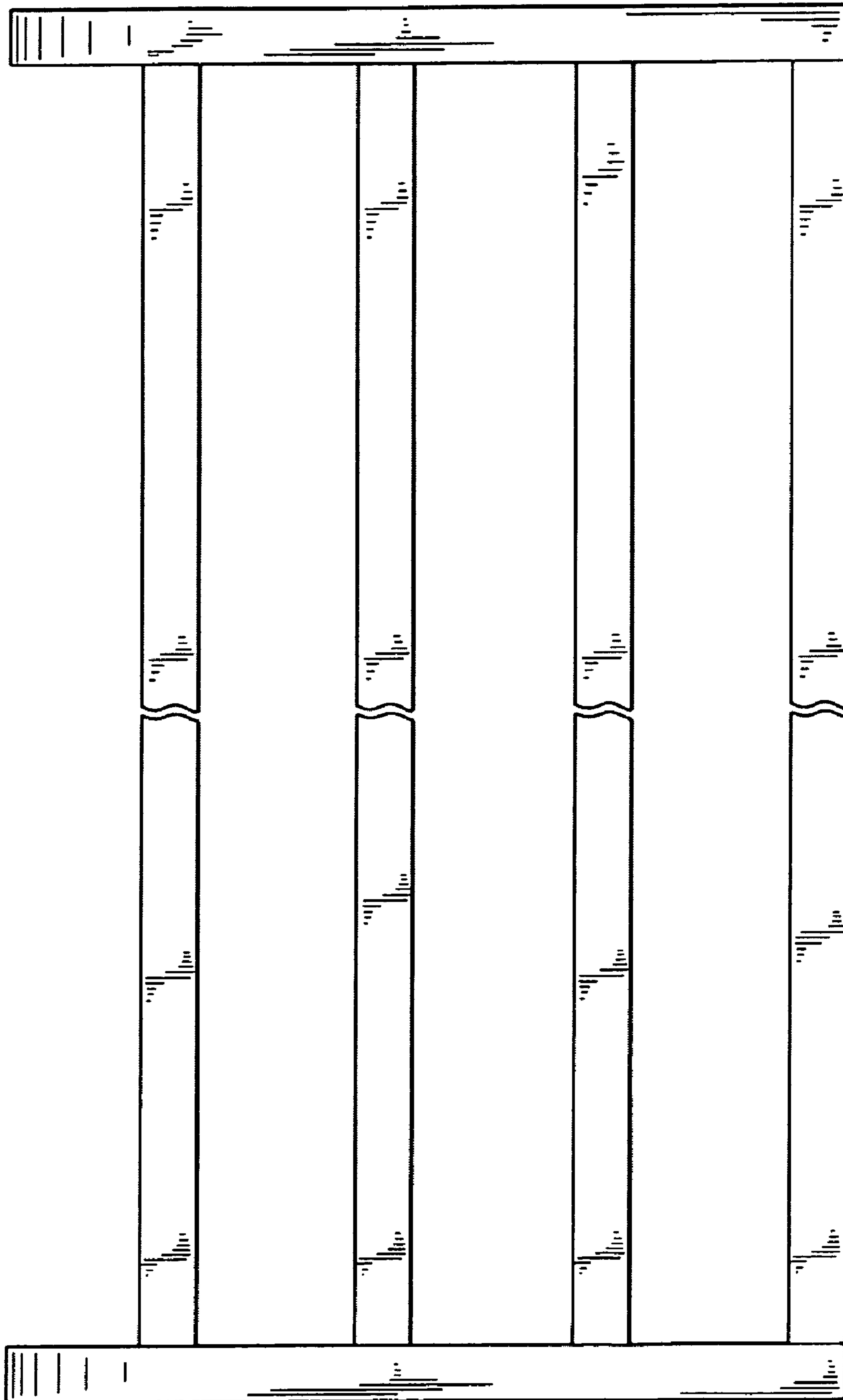


FIG. 1

FIG. 2



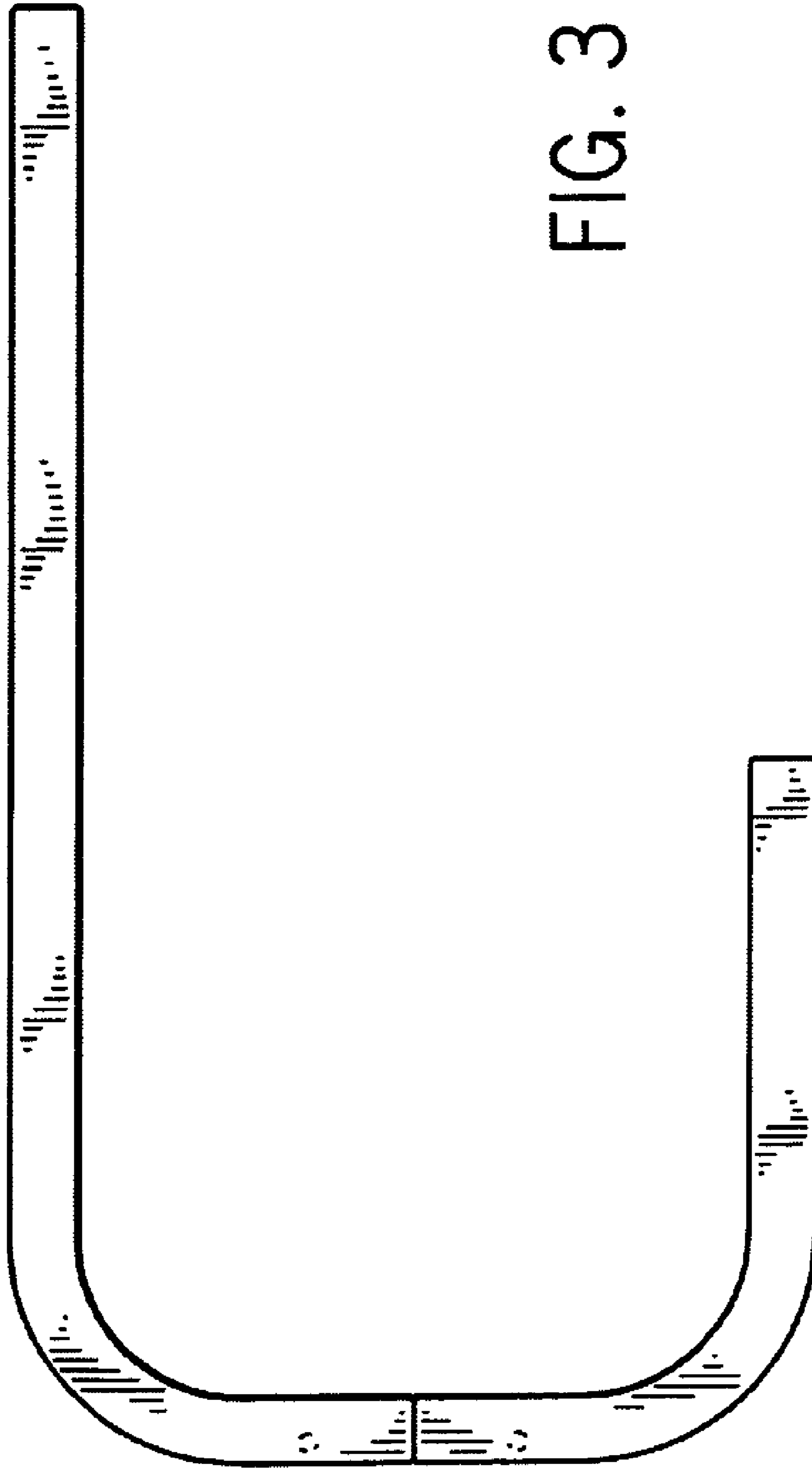


FIG. 3

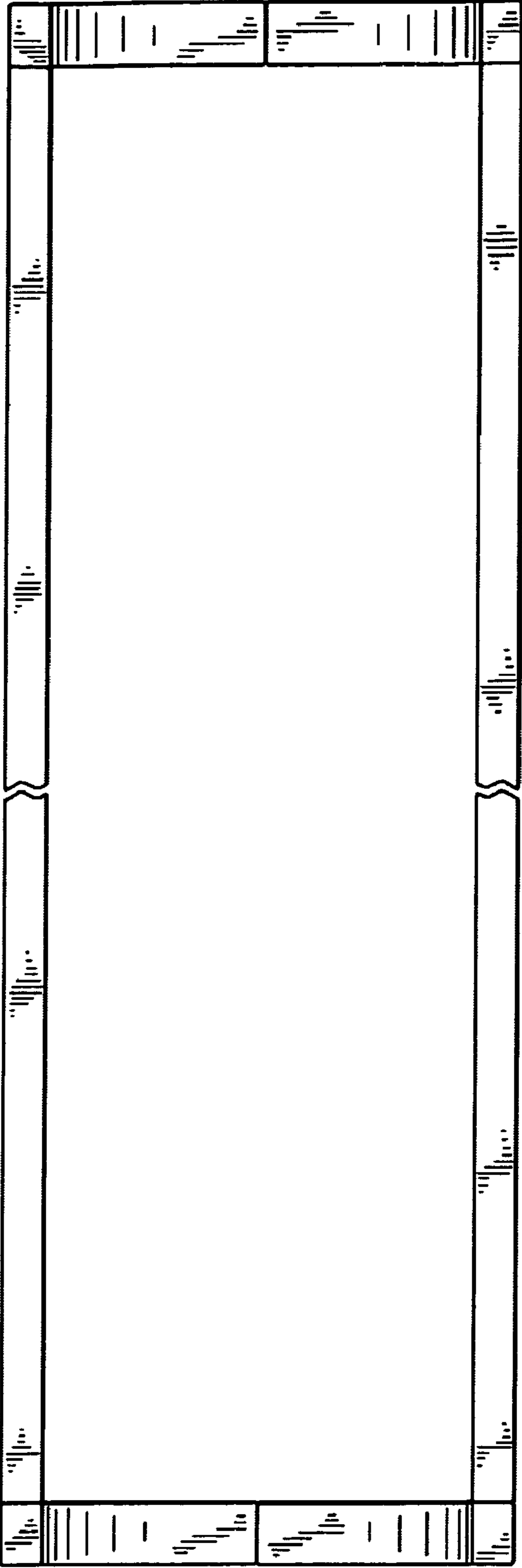


FIG. 4

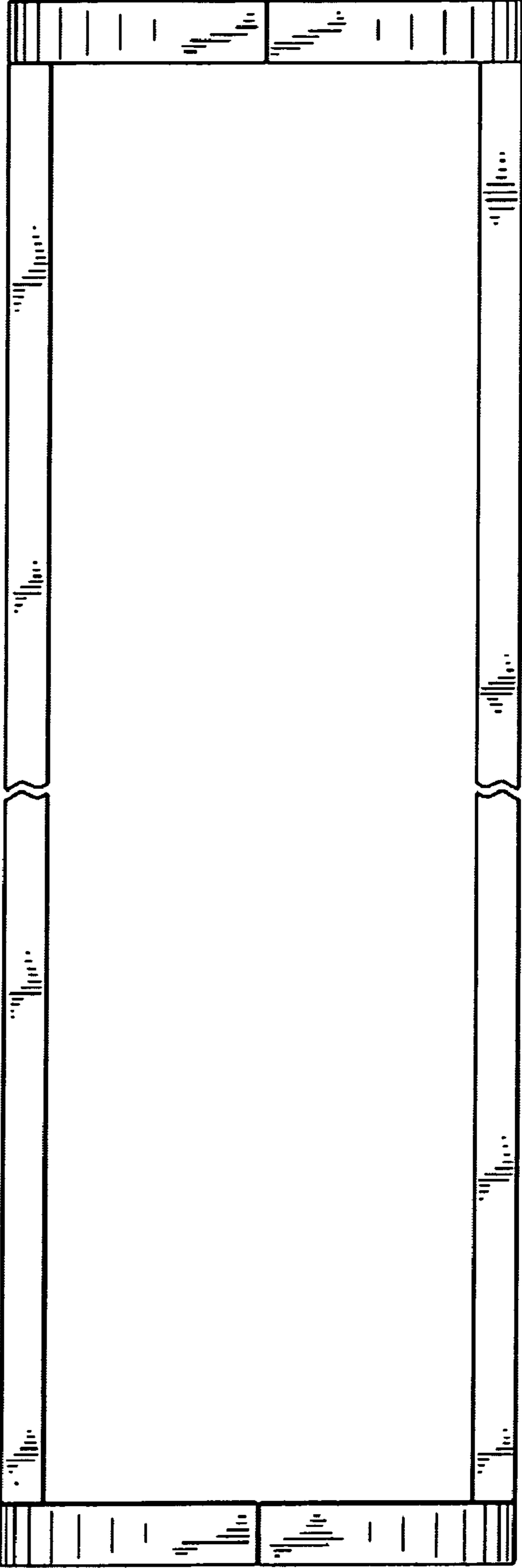


FIG. 5

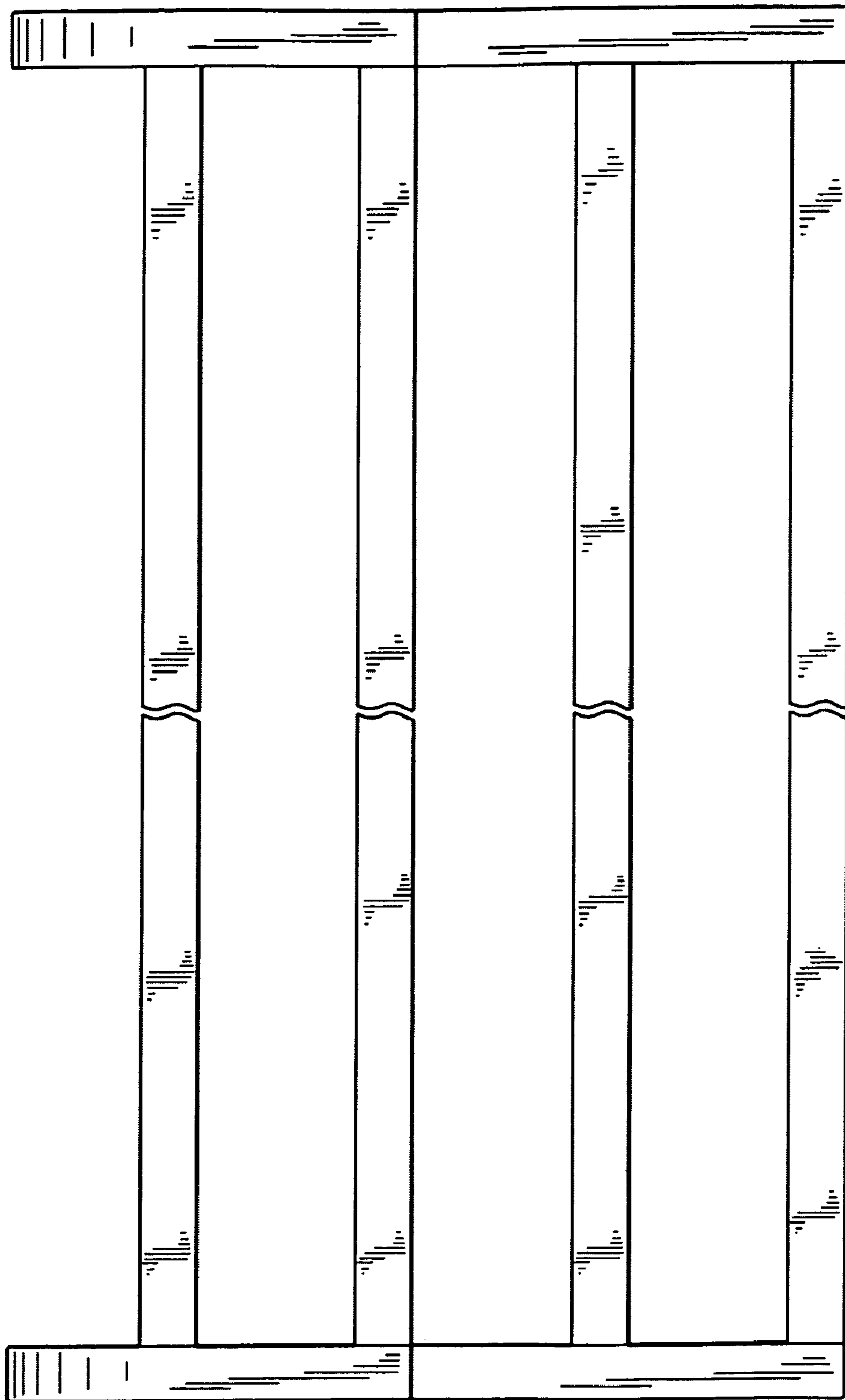


FIG. 6