



US00D587944S

(12) **United States Design Patent**
Erickson

(10) **Patent No.:** **US D587,944 S**

(45) **Date of Patent:** **** Mar. 10, 2009**

(54) **SHELVING**

(75) Inventor: **Jason P. Erickson**, Mesquite, TX (US)

(73) Assignee: **Madix, Inc.**, Terrell, TX (US)

(**) Term: **14 Years**

(21) Appl. No.: **29/258,270**

(22) Filed: **Apr. 19, 2006**

(51) **LOC (9) Cl.** **06-04**

(52) **U.S. Cl.** **D6/511**

(58) **Field of Classification Search** D6/396-397,
D6/477-479, 426, 511; 211/90.01, 134,
211/153, 183, 85.1

See application file for complete search history.

(56) **References Cited**

U.S. PATENT DOCUMENTS

D328,680	S	*	8/1992	Zapf	D6/511
D330,090	S	*	10/1992	Walter et al.	D26/51
D373,699	S	*	9/1996	Moon	D6/574
D433,860	S	*	11/2000	Suzuki	D6/555
6,640,354	B2	*	11/2003	Bonack et al.	4/611
D518,661	S	*	4/2006	Mendini	D6/436
D520,274	S	*	5/2006	Paus	D6/511
D520,287	S	*	5/2006	Sparkowski	D6/574

D521,286	S	*	5/2006	Colmenares	D6/511
D530,939	S	*	10/2006	Nakamura	D6/425
D544,280	S	*	6/2007	Langenfeld	D6/574
D555,398	S	*	11/2007	Plumb	D6/474
D563,138	S	*	3/2008	Kramer	D6/562
D566,423	S	*	4/2008	Raile	D6/467
D572,056	S	*	7/2008	McConnell	D6/511

* cited by examiner

Primary Examiner—Elizabeth A Albert

Assistant Examiner—Kelley A Donnelly

(74) *Attorney, Agent, or Firm*—Hitchcock Evert LLP

(57) **CLAIM**

The ornamental design for shelving, as shown and described.

DESCRIPTION

FIG. 1 is a left front perspective view of a first embodiment of the shelving showing my new design;

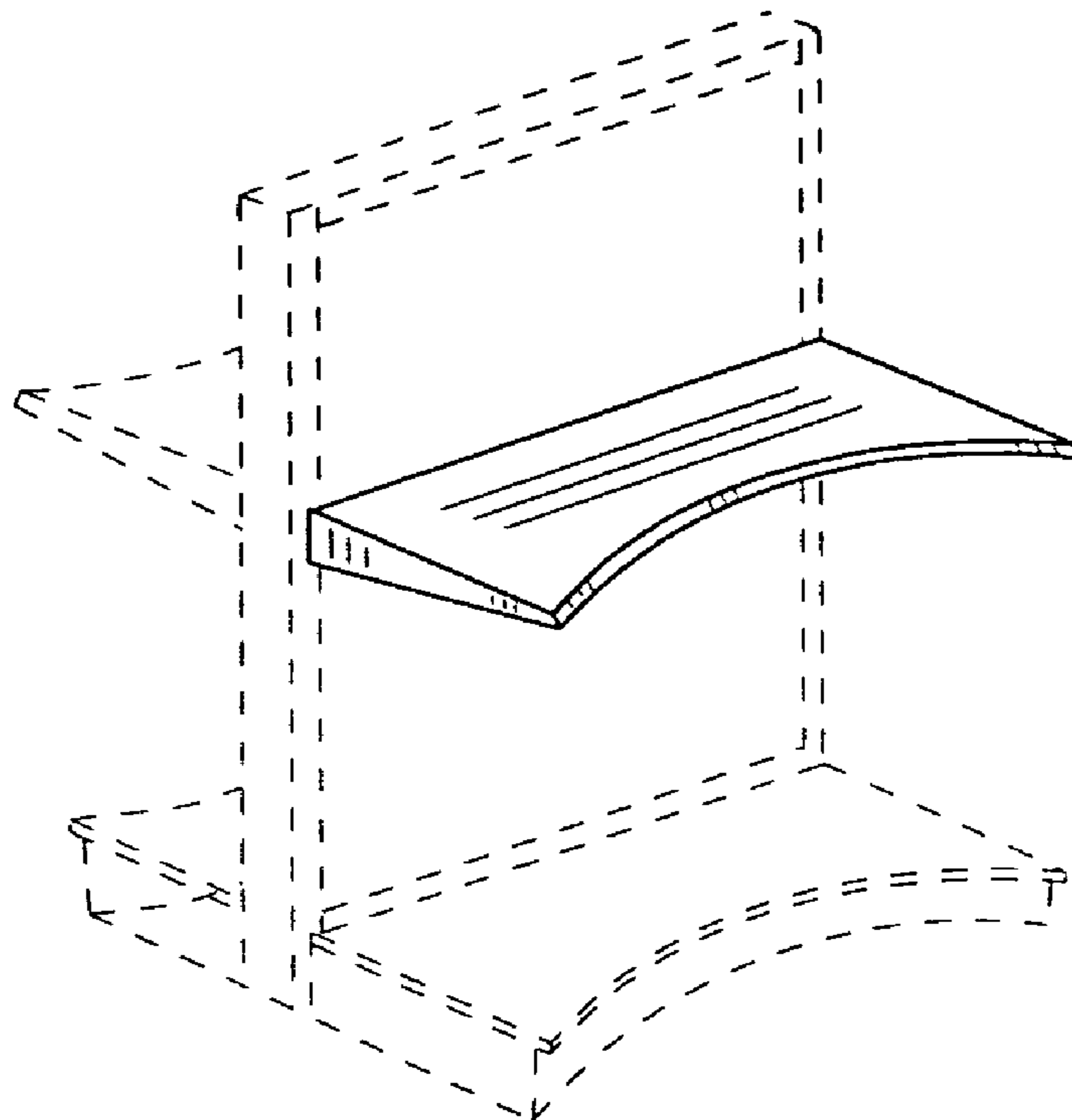
FIG. 2 is a front view thereof;

FIG. 3 is a side view thereof, the opposite side being a mirror image; and,

FIG. 4 is a top view thereof.

The broken lines are for environmental purposes only and form no part of the claimed design.

1 Claim, 1 Drawing Sheet



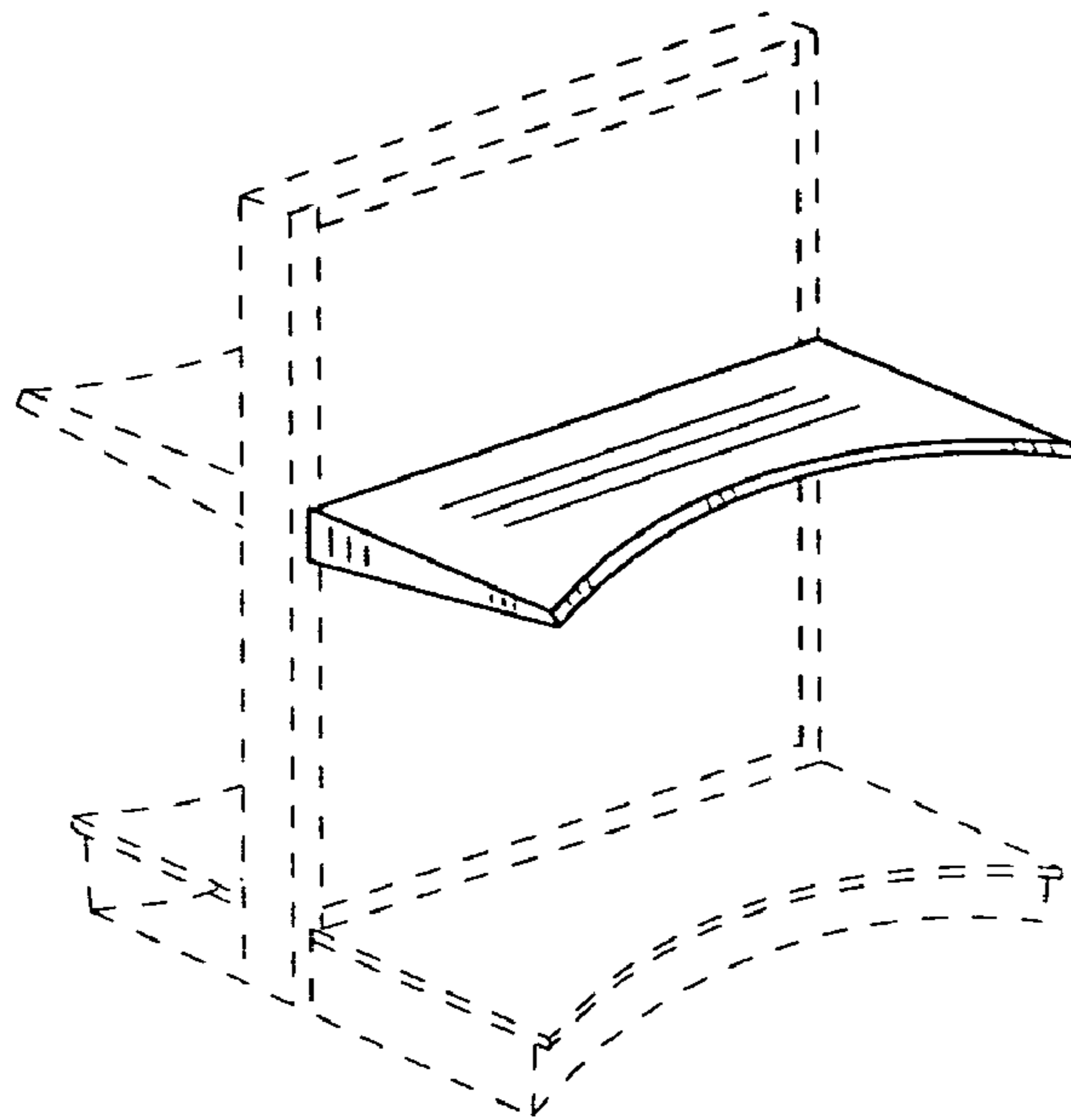


FIG. 1

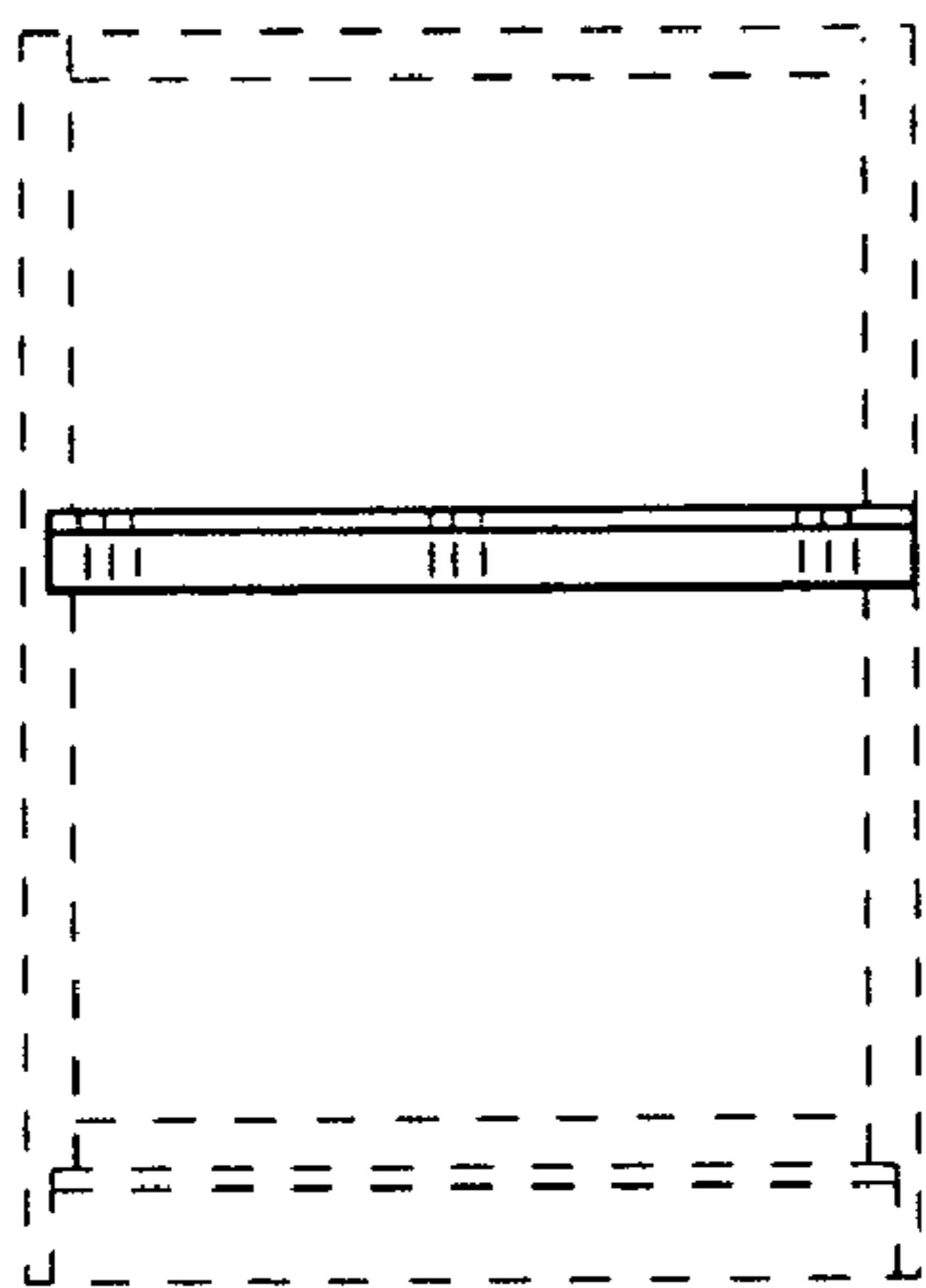


FIG. 2

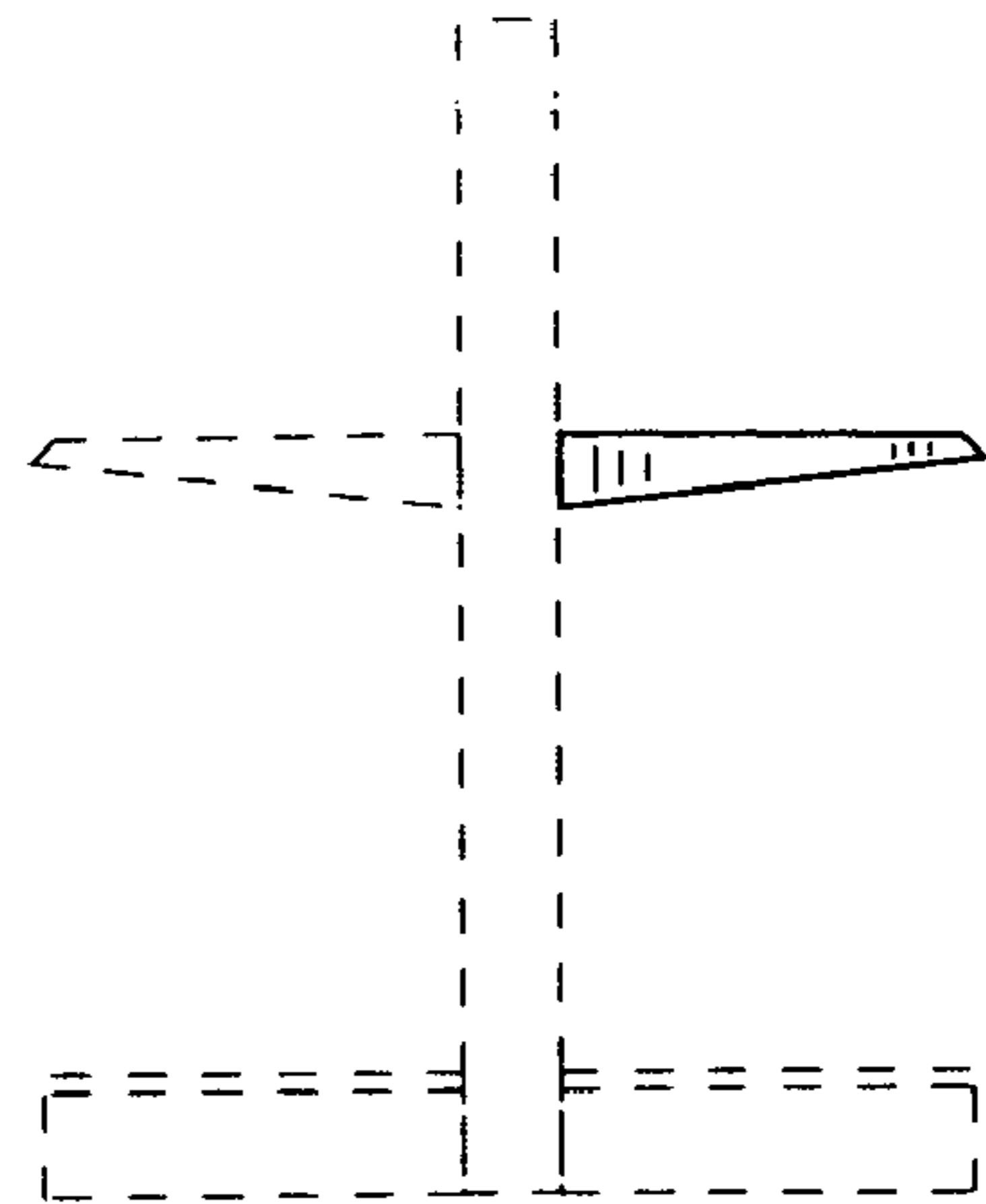


FIG. 3

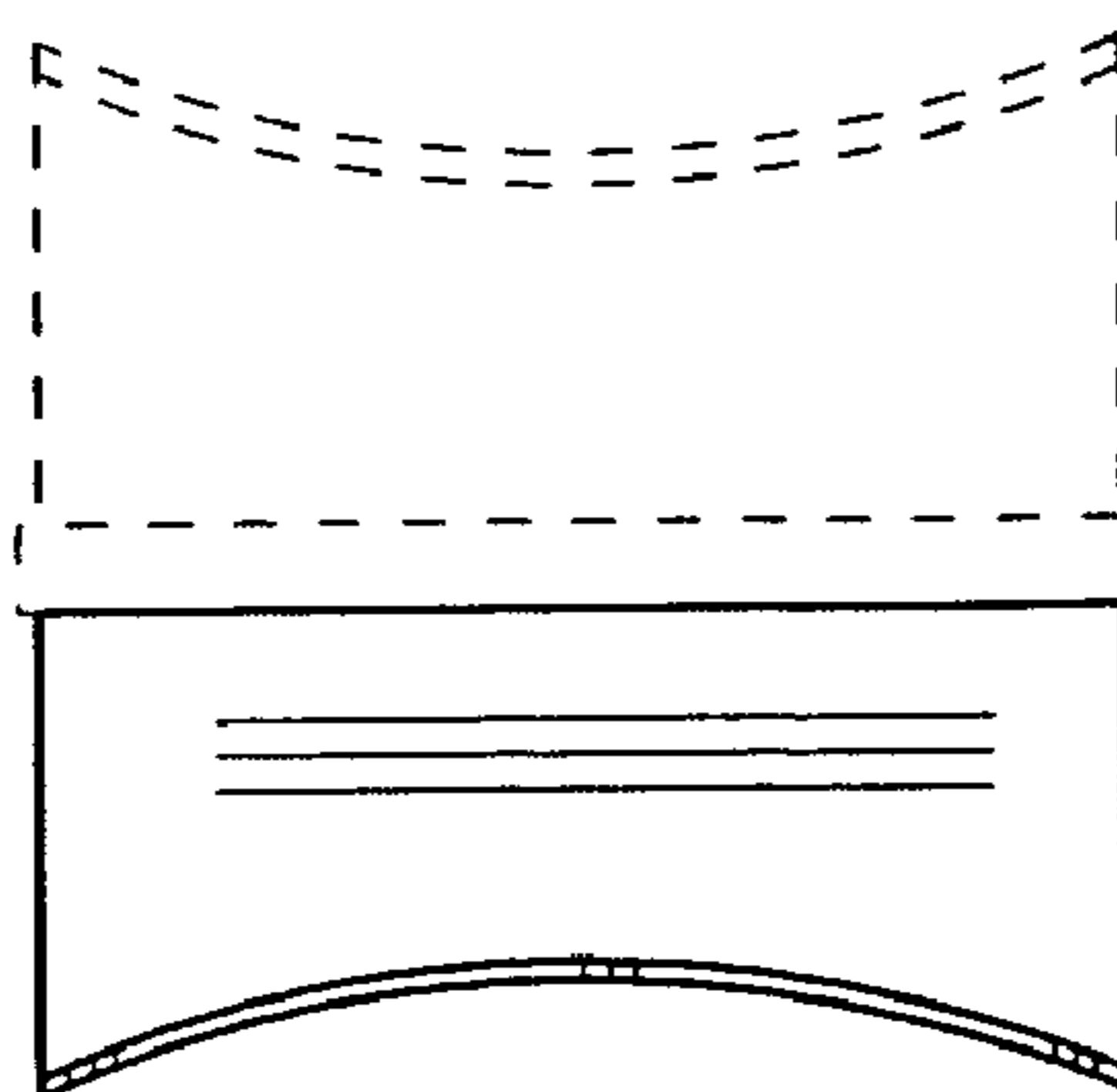


FIG. 4