



US00D587942S

(12) **United States Design Patent**
Dallmann et al.

(10) **Patent No.:** **US D587,942 S**
(45) **Date of Patent:** **** Mar. 10, 2009**

(54) **LUMBAR SUPPORT FOR AN OFFICE CHAIR**

(75) Inventors: **Joern Dallmann**, Nuremberg (DE);
Larry A. Wilkerson, Comstock Park,
MI (US); **Joe Willette**, Grand Haven, MI
(US); **Michael W. Welsh**, Rockford, MI
(US); **Pete Beyer**, Hamilton, MI (US)

(73) Assignee: **Haworth, Inc.**, Holland, MI (US)

(**) Term: **14 Years**

(21) Appl. No.: **29/293,533**

(22) Filed: **Nov. 29, 2007**

Related U.S. Application Data

(62) Division of application No. 29/286,495, filed on May 8, 2007, now Pat. No. Des. 562,574, which is a division of application No. 29/224,332, filed on Feb. 28, 2005, now Pat. No. Des. 545,076.

(51) **LOC (9) Cl.** **06-01**

(52) **U.S. Cl.** **D6/502**

(58) **Field of Classification Search** D6/364-369,
D6/334-336, 356, 358, 370, 372-375, 379,
D6/491, 495, 498, 500-502; 297/411.2,
297/411.27, 411.28, 411.36, 452.29, 284.4,
297/452.3

See application file for complete search history.

(56) **References Cited**

U.S. PATENT DOCUMENTS

D388,258 S * 12/1997 Ambasz D6/366
D445,580 S * 7/2001 Pennington et al. D6/366
6,758,522 B2 * 7/2004 Ligon et al. 297/284.4
D493,627 S * 8/2004 Ma D6/366

D495,509 S * 9/2004 Breen D6/366
D509,388 S * 9/2005 Koepke et al. D6/500
7,000,986 B2 * 2/2006 Cruz Fernandes de Pinho
et al. 297/284.4
D559,573 S * 1/2008 Igarashi D6/366
7,328,950 B2 * 2/2008 McMillen et al. 297/284.4
2002/0036420 A1 * 3/2002 Footitt 297/284.4
2004/0140701 A1 * 7/2004 Schmitz et al. 297/284.4
2005/0017555 A1 * 1/2005 Elliot 297/284.4
2005/0029847 A1 * 2/2005 Forkel 297/284.4
2005/0062323 A1 * 3/2005 Dicks 297/284.4
2007/0057550 A1 * 3/2007 Beyer et al. 297/284.4
2007/0120405 A1 * 5/2007 Chou 297/284.4
2007/0236063 A1 * 10/2007 Blendea 297/284.4

* cited by examiner

Primary Examiner—Caron Veynar

Assistant Examiner—Katrina A Kile

(74) *Attorney, Agent, or Firm*—Flynn, Thiel, Boutell & Tanis,
P.C.

(57) **CLAIM**

The ornamental design for a lumbar support for an office chair, as shown and described.

DESCRIPTION

FIG. 1 is a front view of a lumbar support for an office chair showing our new design;

FIG. 2 is a top view thereof;

FIG. 3 is a left side view thereof, the right side view being a mirror image thereof;

FIG. 4 is a left side cross-sectional view as taken along line 4-4 of FIG. 1; and,

FIG. 5 is an upper right, front isometric view thereof.

1 Claim, 2 Drawing Sheets

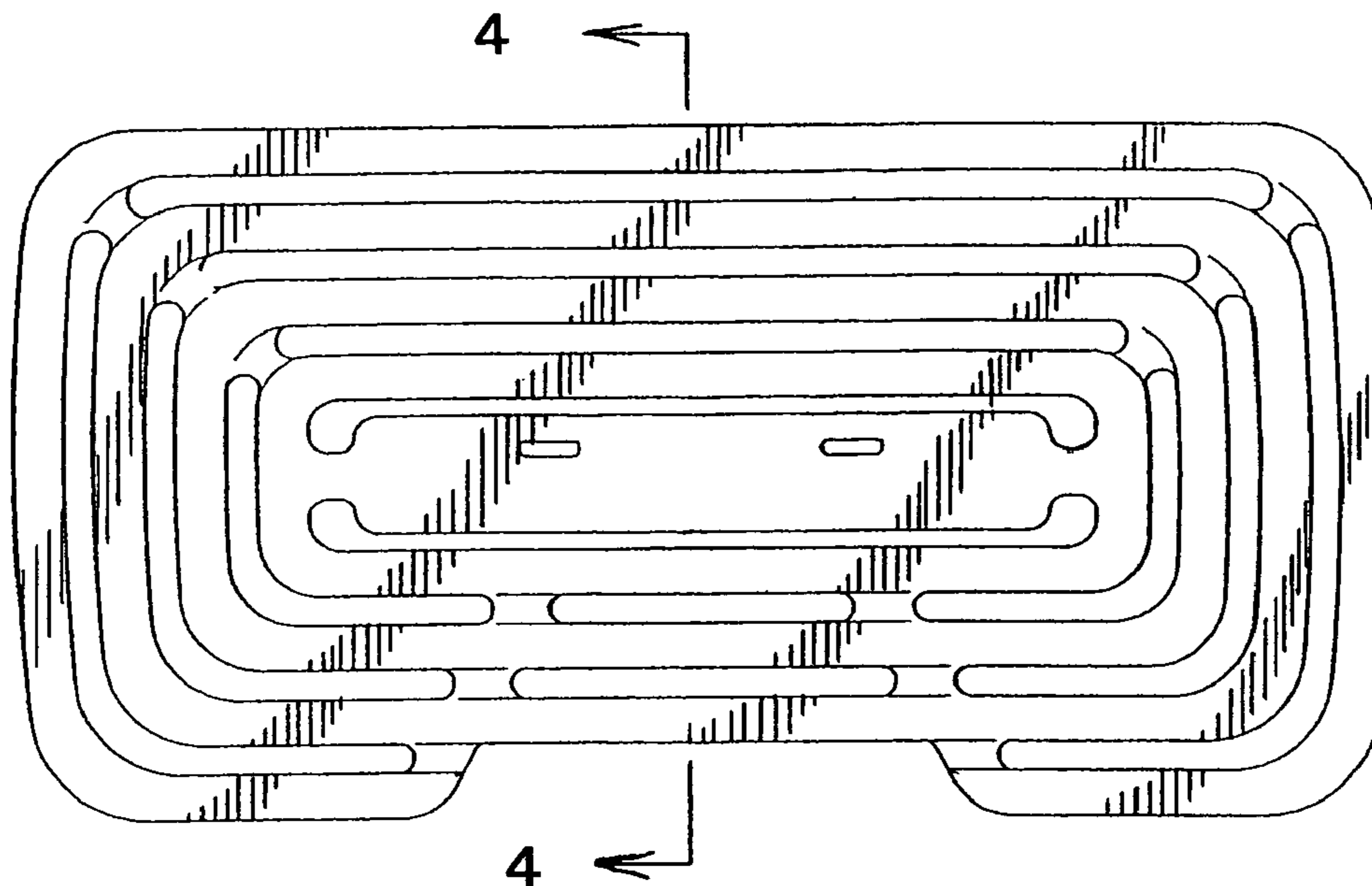




FIG. 2

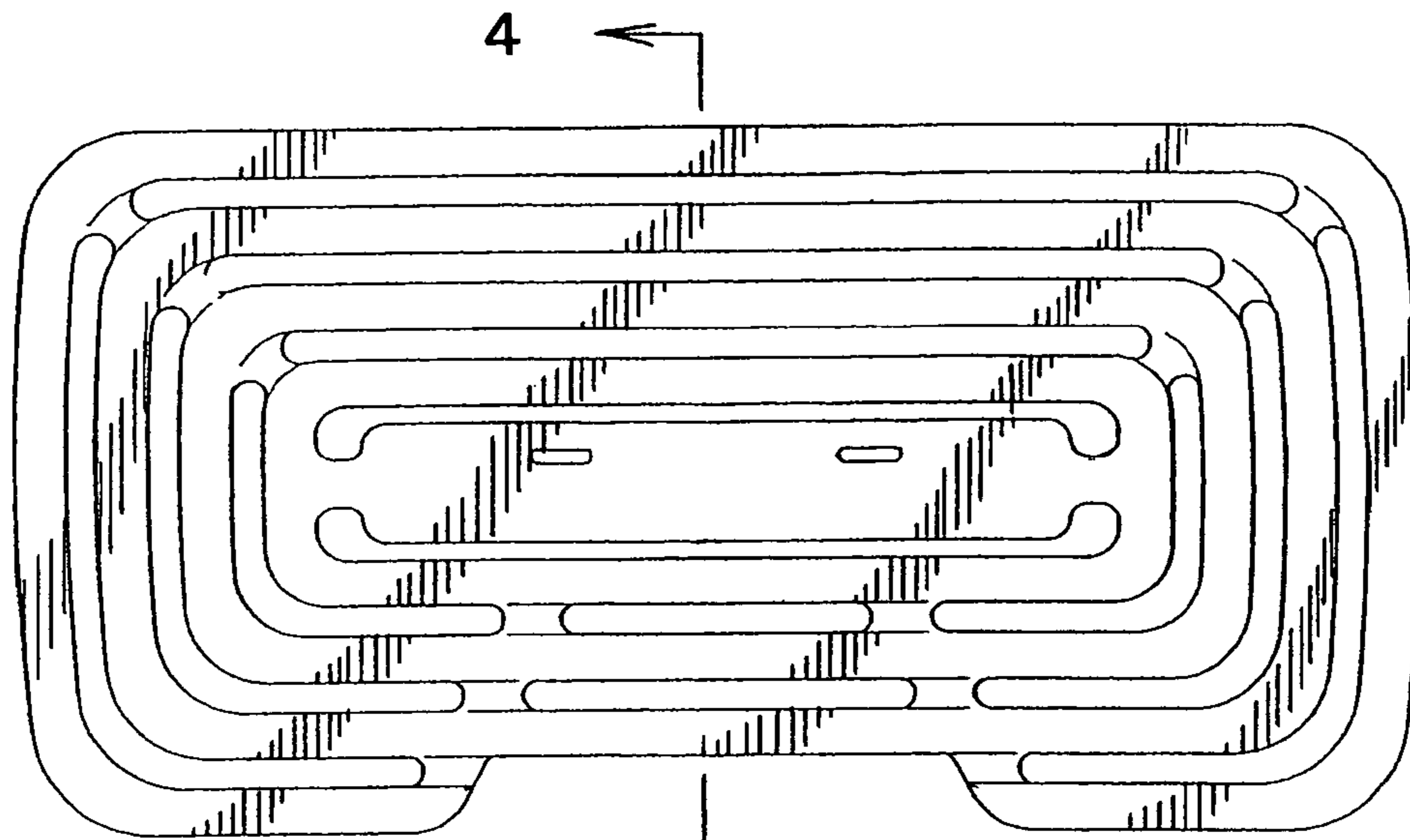


FIG. 1

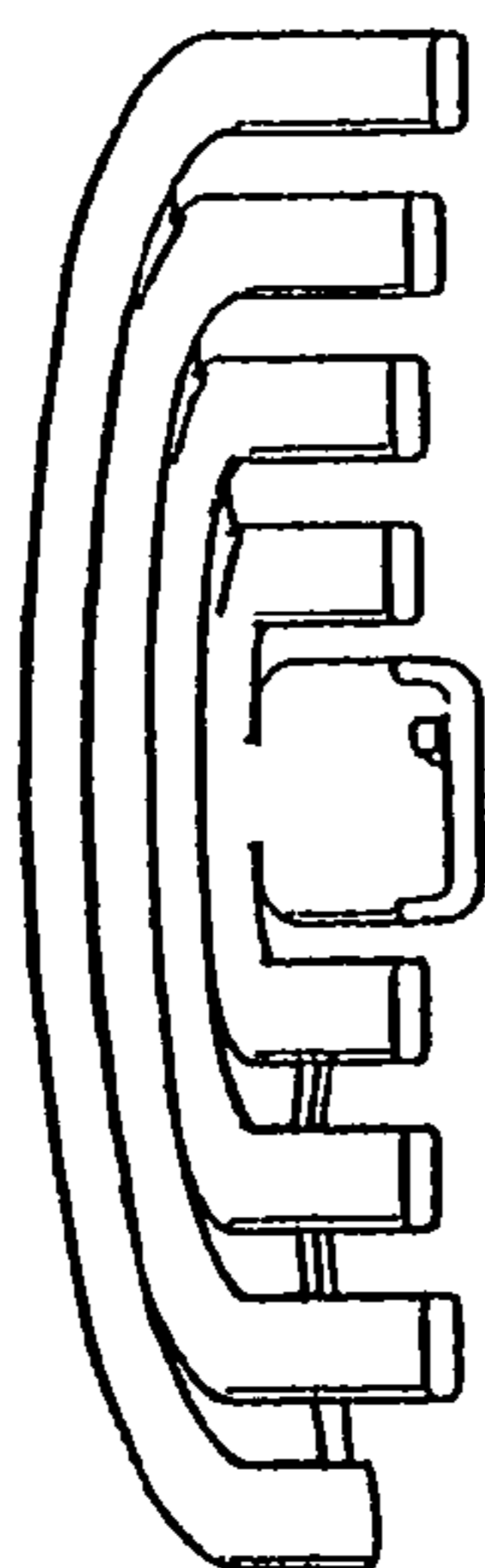


FIG. 3

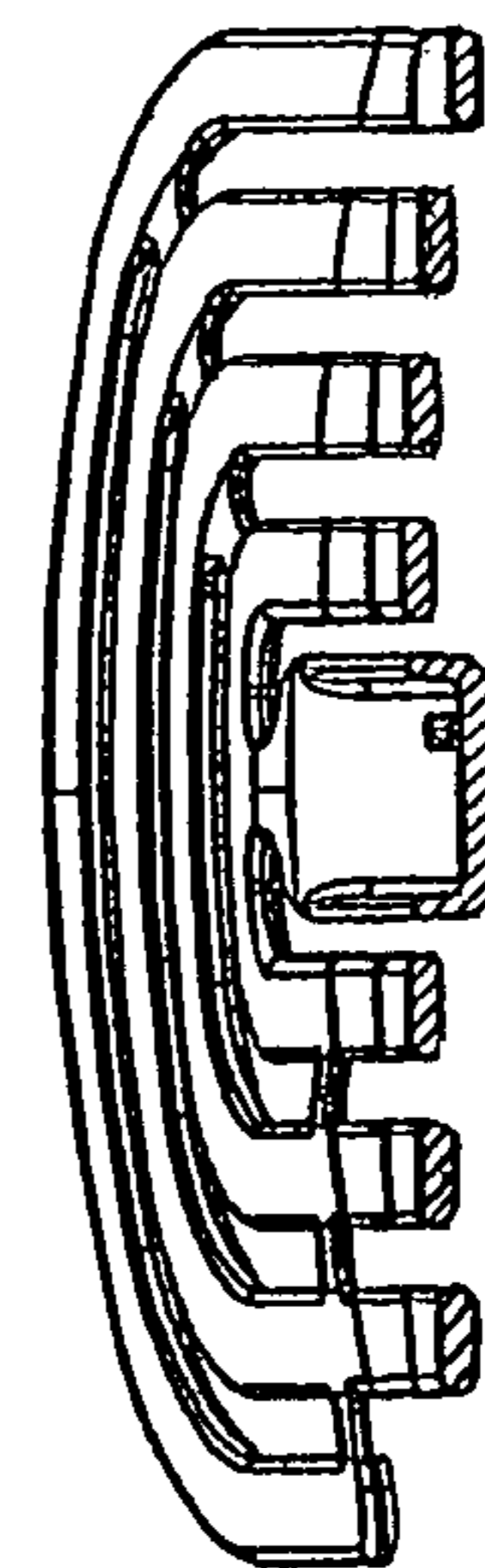


FIG. 4

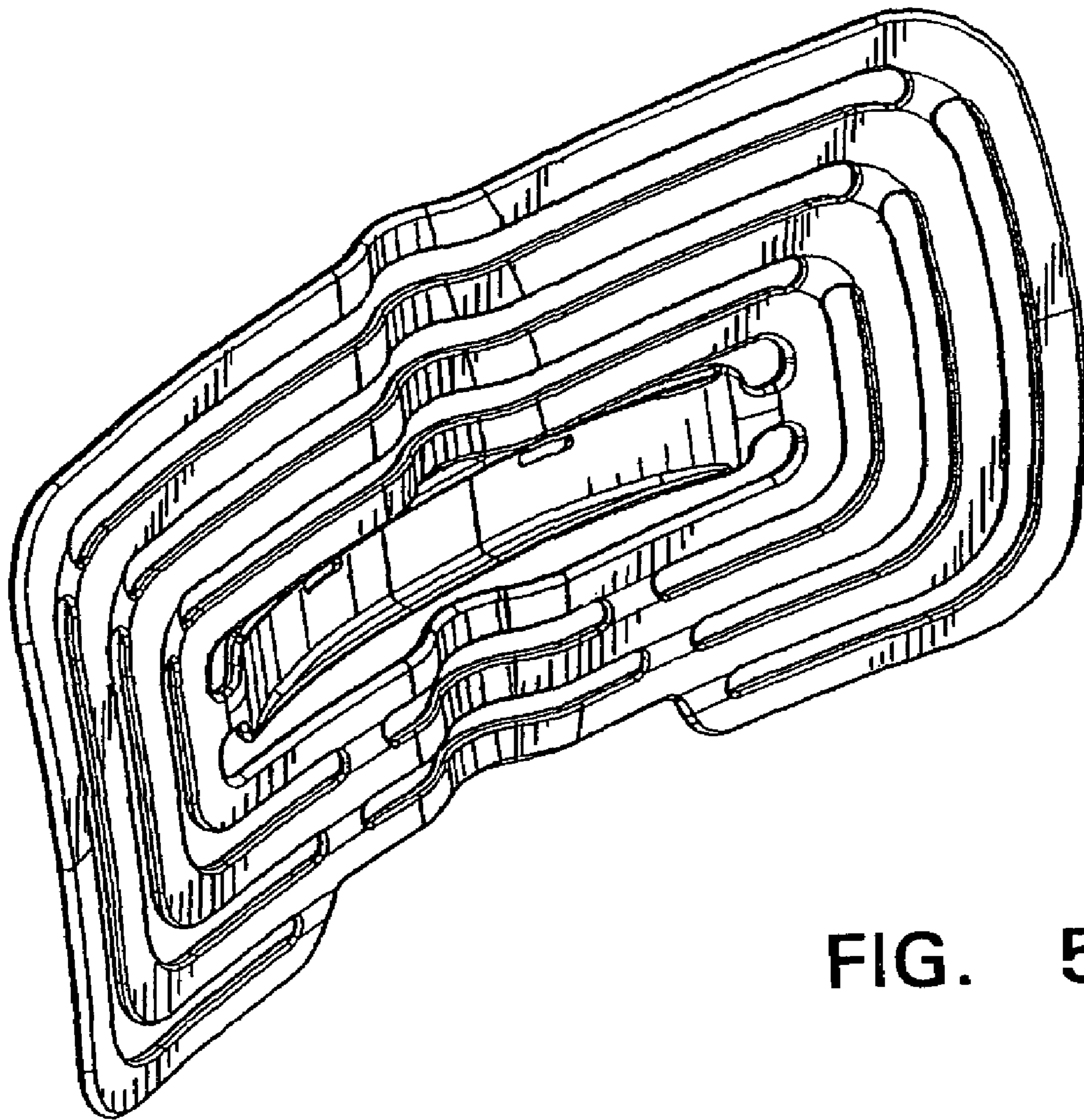


FIG. 5