



US00D587939S

(12) **United States Design Patent**
Schloss

(10) **Patent No.:** **US D587,939 S**
(45) **Date of Patent:** **** Mar. 10, 2009**

(54) **DRAWER FRONT COVER**

(76) Inventor: **Ben Schloss**, c/o SF Enterprises 1201
Old County Rd., Unit #4, Belmont, CA
(US) 94002

(**) Term: **14 Years**

(21) Appl. No.: **29/269,234**

(22) Filed: **Nov. 24, 2006**

(51) **LOC (9) Cl.** **06-04**

(52) **U.S. Cl.** **D6/491**

(58) **Field of Classification Search** D6/491-492,
D6/509-511; D3/319; D7/354, 409, 554.3,
D7/69, 698; D9/456-457; 40/124.01, 299.01,
40/300; 229/108; 362/812; 108/69
See application file for complete search history.

(56) **References Cited**

U.S. PATENT DOCUMENTS

2,842,420 A * 7/1958 Hansen et al. 312/348.6

(Continued)

Primary Examiner—Elizabeth A. Albert

Assistant Examiner—Kelley A Donnelly

(74) *Attorney, Agent, or Firm*—Charles R. Cypher; James R. Cypher

(57) **CLAIM**

The ornamental design for a drawer front cover, as shown and described.

DESCRIPTION

FIG. 1 is a front, lower perspective view of the drawer front cover of the present invention.

FIG. 2 is a right side perspective view of the drawer front cover of the present invention mounted on a drawer showing my new design, the left side being a mirror image.

FIG. 3 is a lower, front perspective view of the drawer front cover of the present invention mounted on a drawer showing my new design.

FIG. 4 is an alternate side perspective view of the drawer front cover of the present invention mounted on a drawer showing my new design, the left side being a mirror image.

FIG. 5 is an lower right front perspective view of the drawer front cover of FIG. 1;

FIG. 6 is a right side elevational view thereof, the left side being a mirror image thereof.

FIG. 7 is a top elevation view thereof, the back being a mirror image thereof.

FIG. 8 is a front plan view thereof, the bottom being a mirror image thereof.

FIG. 9 is an lower right front perspective view of a second embodiment of a drawer front cover showing my new design, differing only in size and proportion from the embodiment of FIG. 1.

FIG. 10 is a right side elevational view thereof, the left side being a mirror image thereof.

FIG. 11 is a top elevation view thereof, the back being a mirror image thereof.

FIG. 12 is a front plan view thereof, the bottom being a mirror image thereof.

FIG. 13 is a right side elevational view of a third embodiment of a drawer front cover showing my new design, differing only in size and proportion from the embodiment of FIG. 1, the left side being a mirror image thereof.

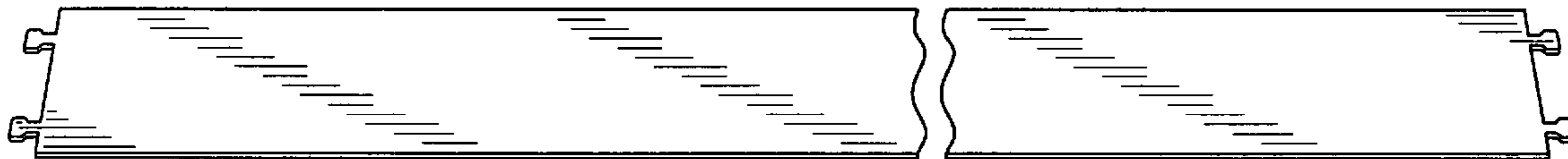
FIG. 14 is a top elevation view thereof, the back being a mirror image thereof; and,

FIG. 15 is a front plan view thereof, the bottom being a mirror image thereof.

The drawings are broken away to indicate that no particular length is claimed.

The toolbox drawer and tool box shown in broken lines are for environmental purposes only and form no part of the claimed design.

1 Claim, 7 Drawing Sheets



US D587,939 S

Page 2

U.S. PATENT DOCUMENTS

2,881,662	A *	4/1959	Harris	248/472	D501,341	S *	2/2005	Cassidy et al.	D6/509
D347,343	S *	5/1994	Von Gunten et al.	D6/491	D503,864	S *	4/2005	DiFanti	D6/491
D373,272	S *	9/1996	Saunders	D6/492	D505,809	S *	6/2005	Cassidy et al.	D6/491
D407,011	S *	3/1999	Boije	D8/381	D510,220	S *	10/2005	Sandy	D6/511
6,287,659	B1 *	9/2001	Robbins et al.	428/43	D543,591	S *	5/2007	Simasko	D20/43

* cited by examiner

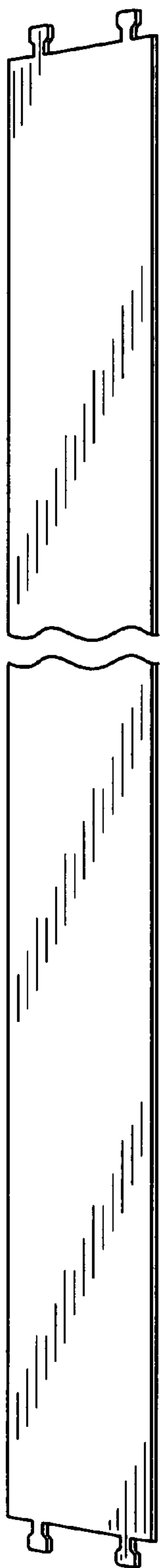


FIG. 1

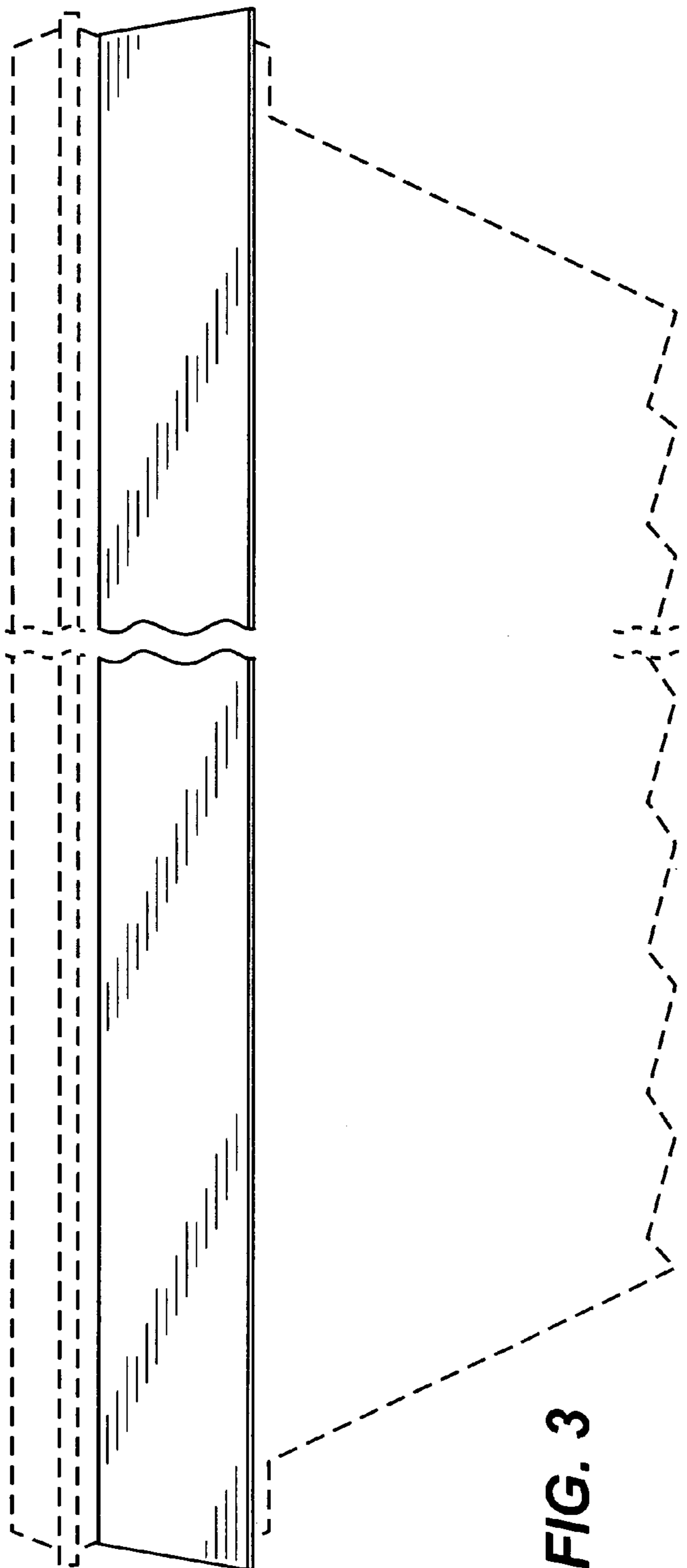


FIG. 3

FIG. 2

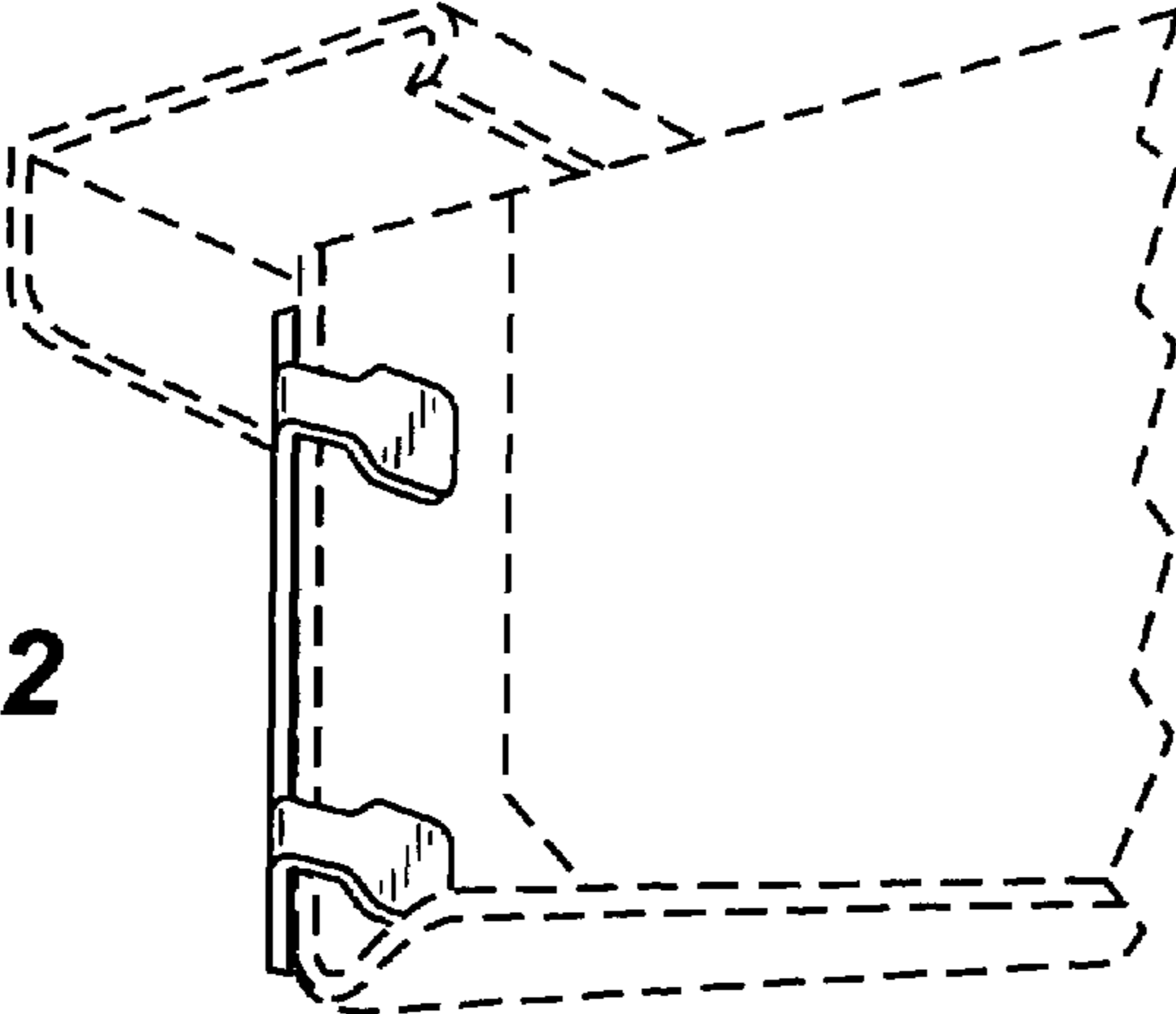
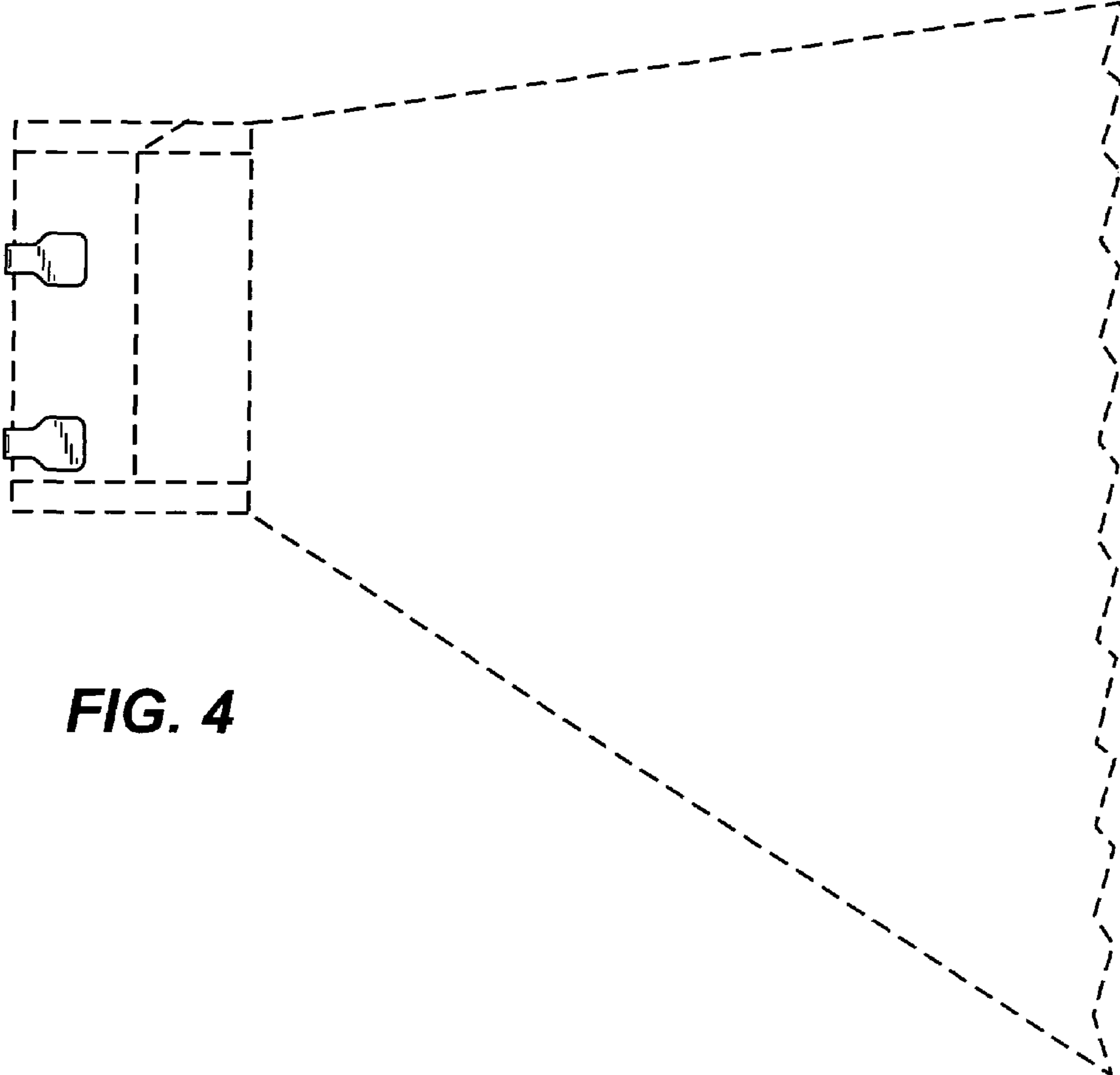


FIG. 4



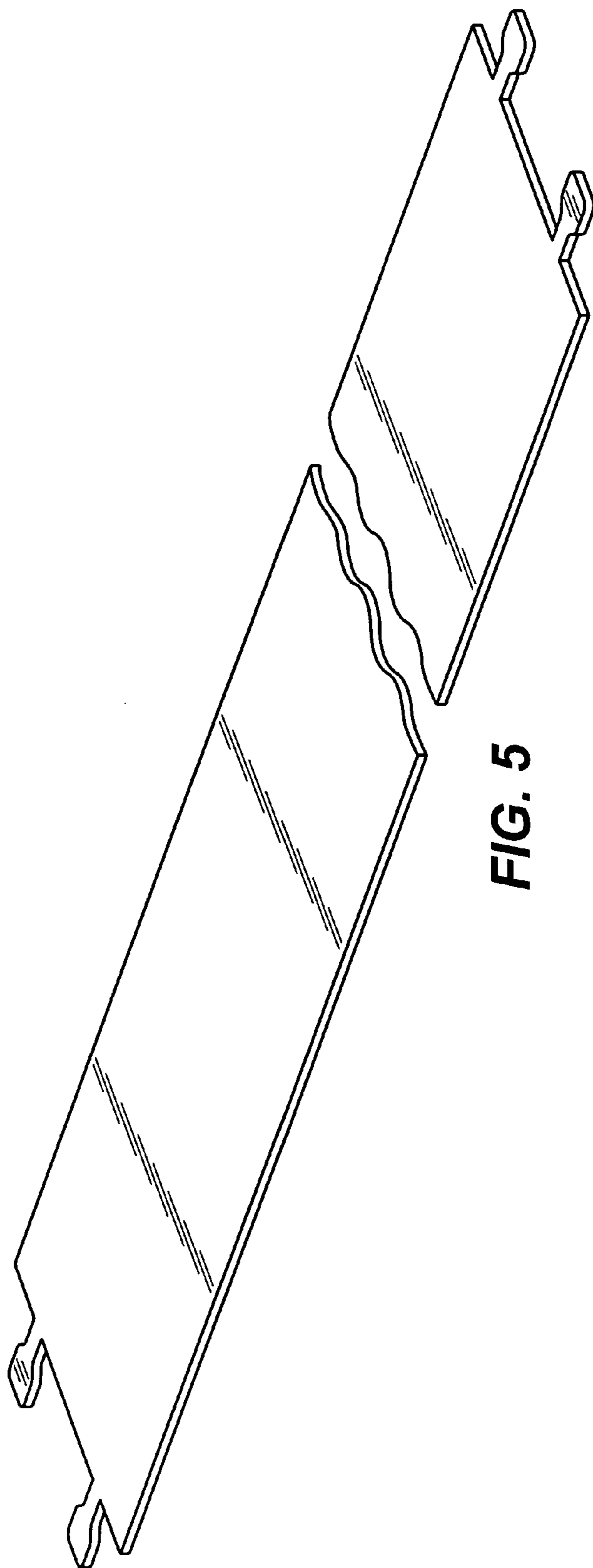


FIG. 5



FIG. 6



FIG. 7

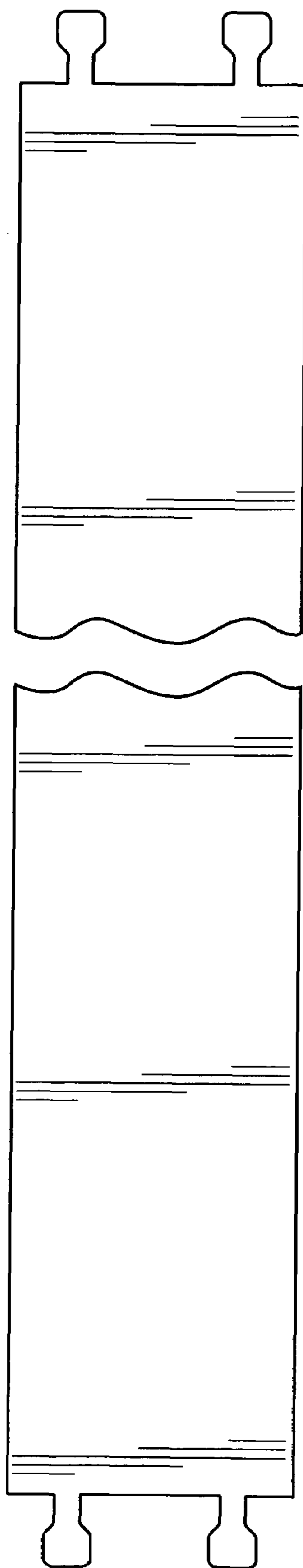


FIG. 8

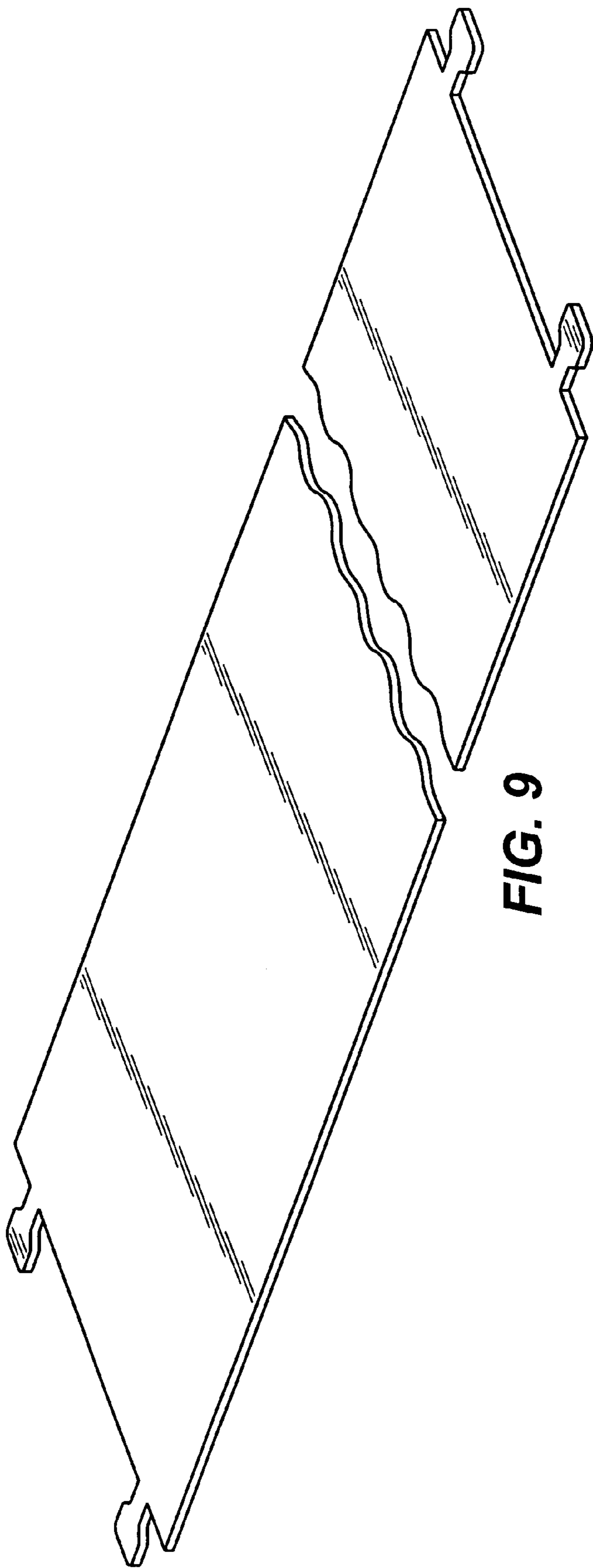


FIG. 9



FIG. 10



FIG. 11

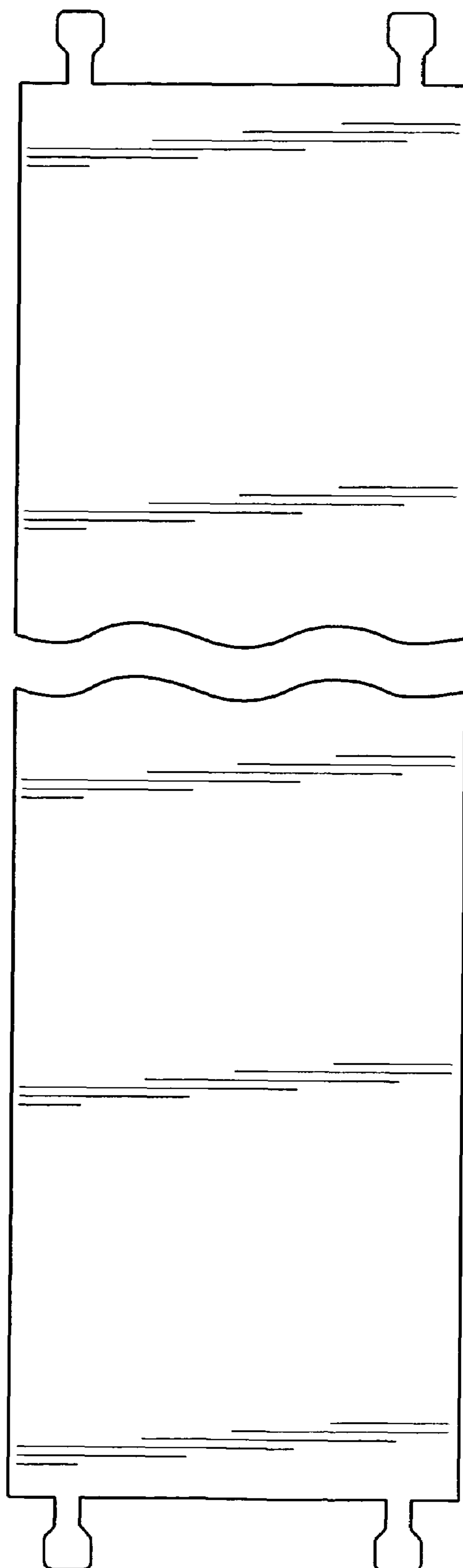


FIG. 12



FIG. 13

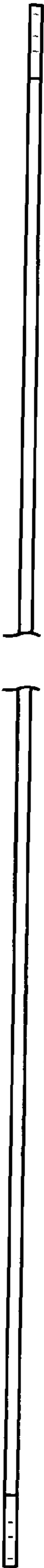


FIG. 14

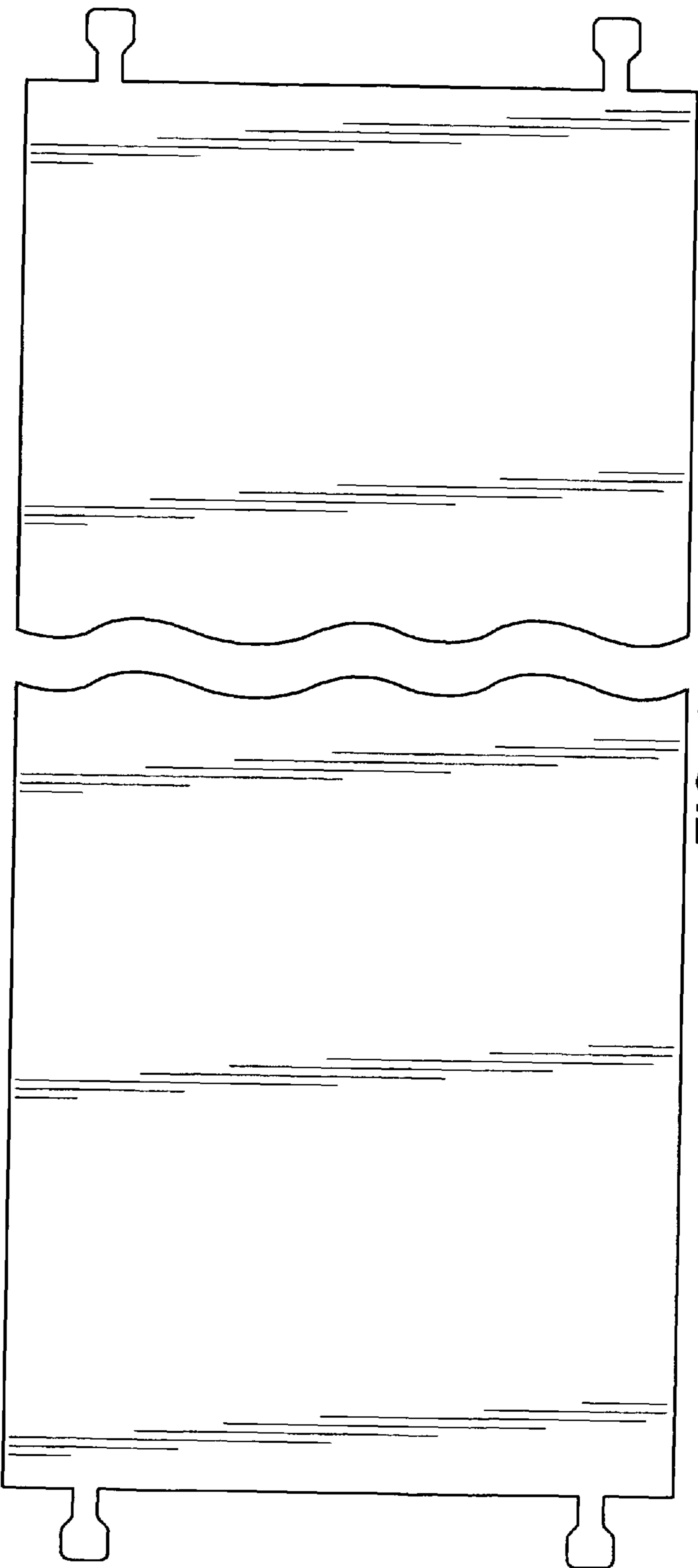


FIG. 15