



US00D587938S

(12) **United States Design Patent**
Hartsfield, Jr.

(10) **Patent No.:** **US D587,938 S**
(45) **Date of Patent:** **** Mar. 10, 2009**

(54) **RADIAL COUNTER**

D449,750 S * 10/2001 Antonioni D6/481

(75) Inventor: **Alvis Lloyd Hartsfield, Jr.**, Missouri
City, TX (US)

(73) Assignee: **Kitchen Equipment Fabricating
Company**, Houston, TX (US)

(**) Term: **14 Years**

(21) Appl. No.: **29/247,146**

(22) Filed: **Jun. 1, 2006**

(51) **LOC (9) Cl.** **06-03**

(52) **U.S. Cl.** **D6/481**

(58) **Field of Classification Search** D6/402,
D6/422-428, 436, 480, 481, 484, 511; 312/140,
312/140.2, 194-196, 223.1, 223.2
See application file for complete search history.

(56) **References Cited**

U.S. PATENT DOCUMENTS

- D92,467 S * 6/1934 Gray D6/436
- D201,971 S * 8/1965 Mohon D6/428
- D210,131 S * 2/1968 Rourke D6/510
- D244,734 S * 6/1977 Laroye D6/428
- D351,299 S * 10/1994 Barrish D6/481
- D386,916 S * 12/1997 Conner D6/426
- D396,582 S * 8/1998 Ilitch et al. D6/481

OTHER PUBLICATIONS

Brisk Desk Systems, Table Top Shapes, Table Top Angle 43, first table top on the left in the second row.*

* cited by examiner

Primary Examiner—Janice E Seeger

Assistant Examiner—Zenia I Bennett

(74) *Attorney, Agent, or Firm*—Locke Lord Bissell & Liddell LLP

(57) **CLAIM**

The ornamental design for a radial counter, as shown and described.

DESCRIPTION

FIG. 1 is a perspective view of a radial counter design.

FIG. 2 is a front view of the design.

FIG. 3 is a back view of the design.

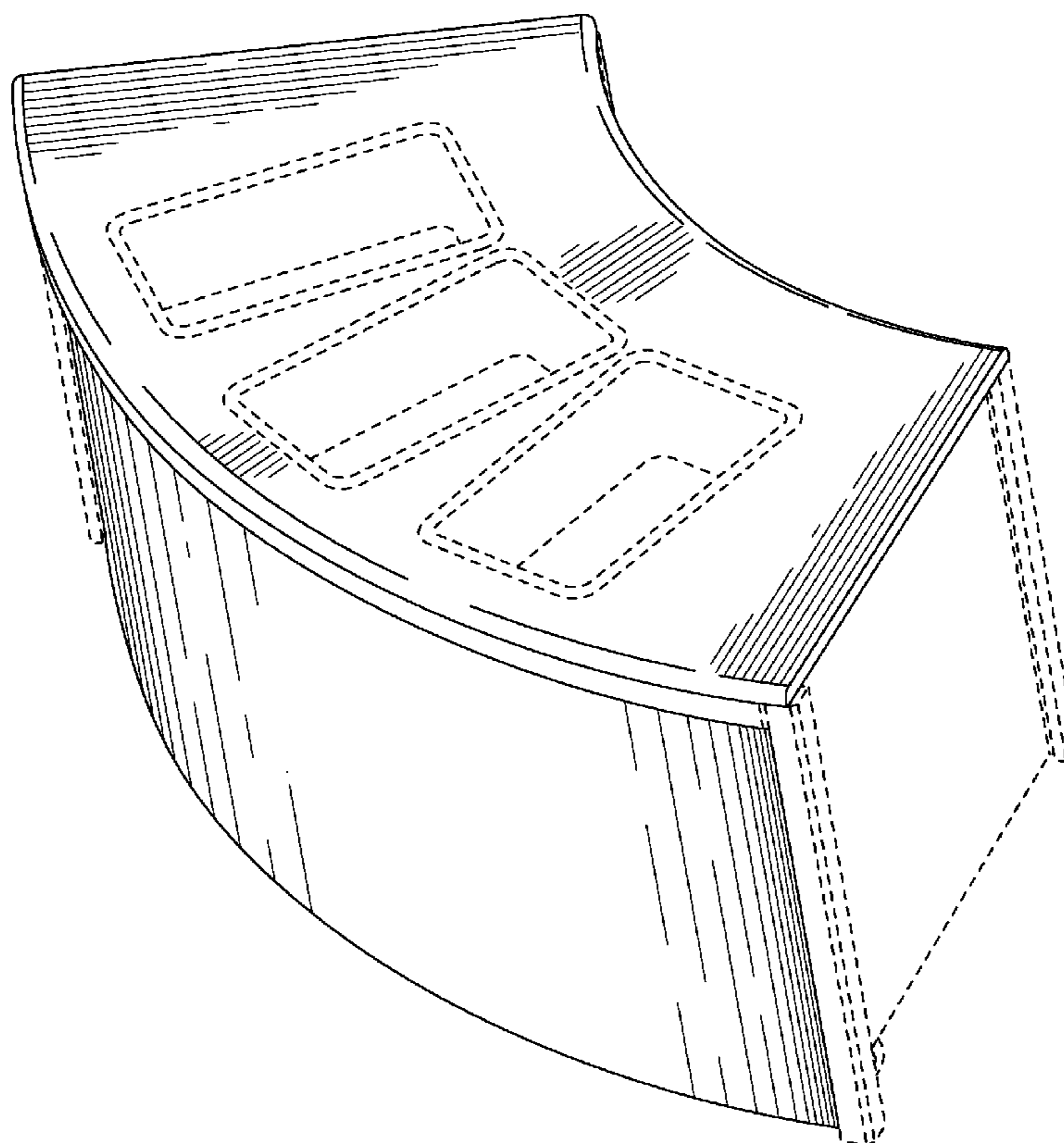
FIG. 4 is a side view of the design with the other side being a mirror image.

FIG. 5 is a top view of the design; and,

FIG. 6 is a bottom view of the design.

The broken lines in FIGS. 1-6 are for illustrative purposes only and form no part of the claimed design.

1 Claim, 4 Drawing Sheets



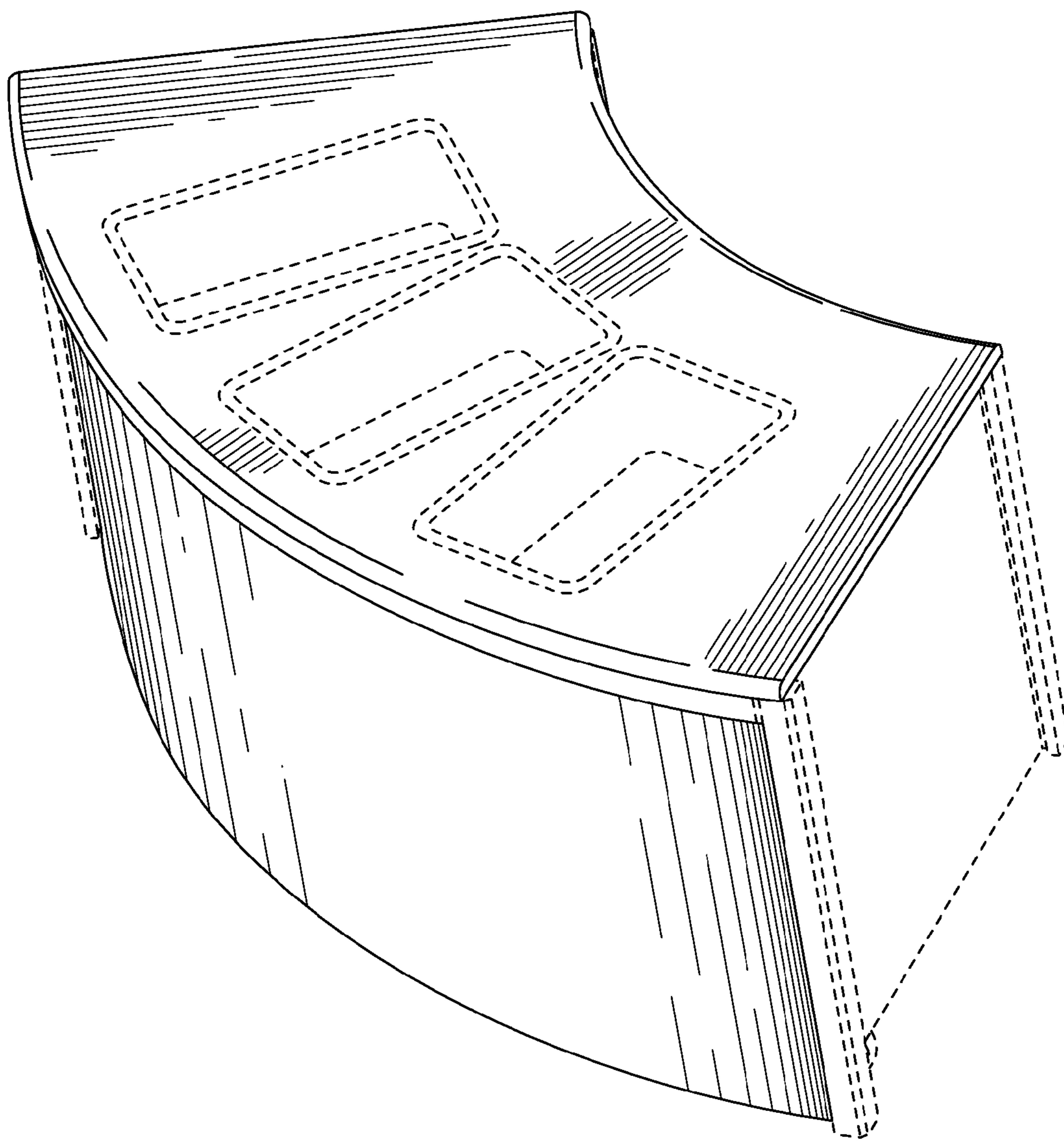


FIG. 1

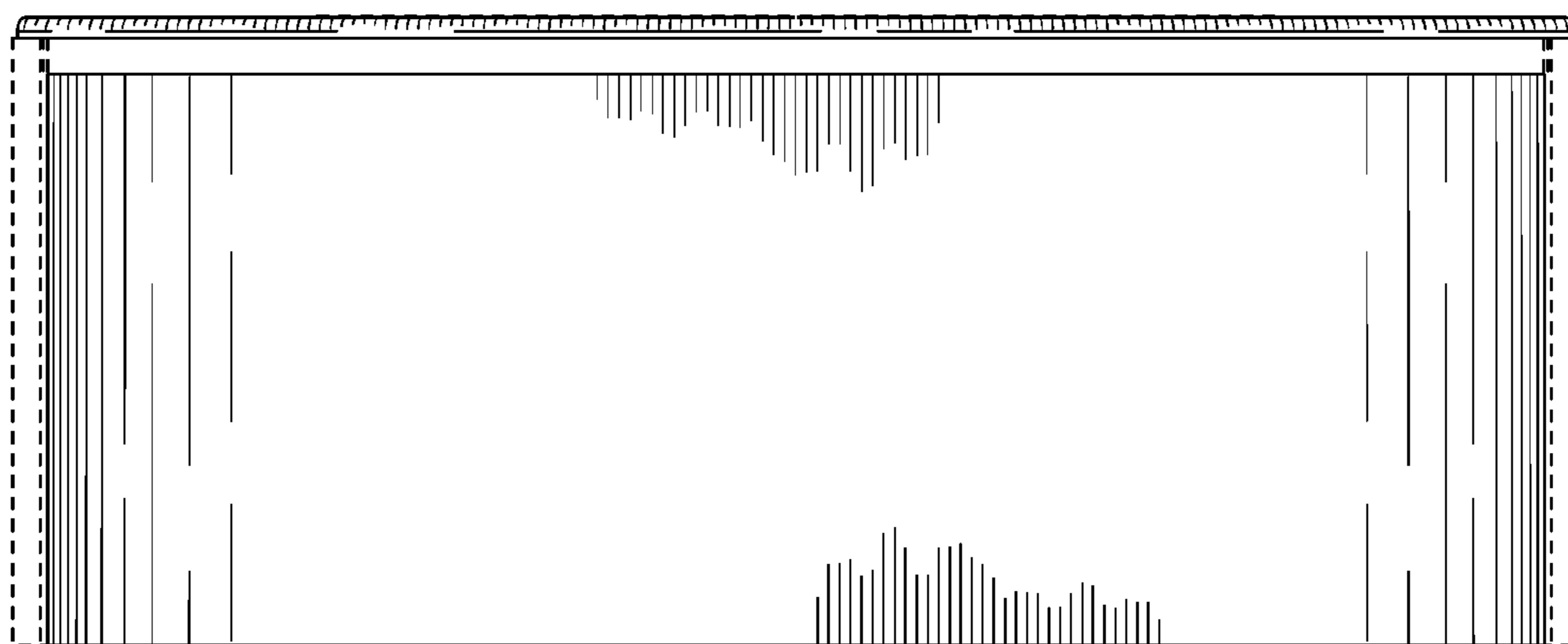


FIG. 2

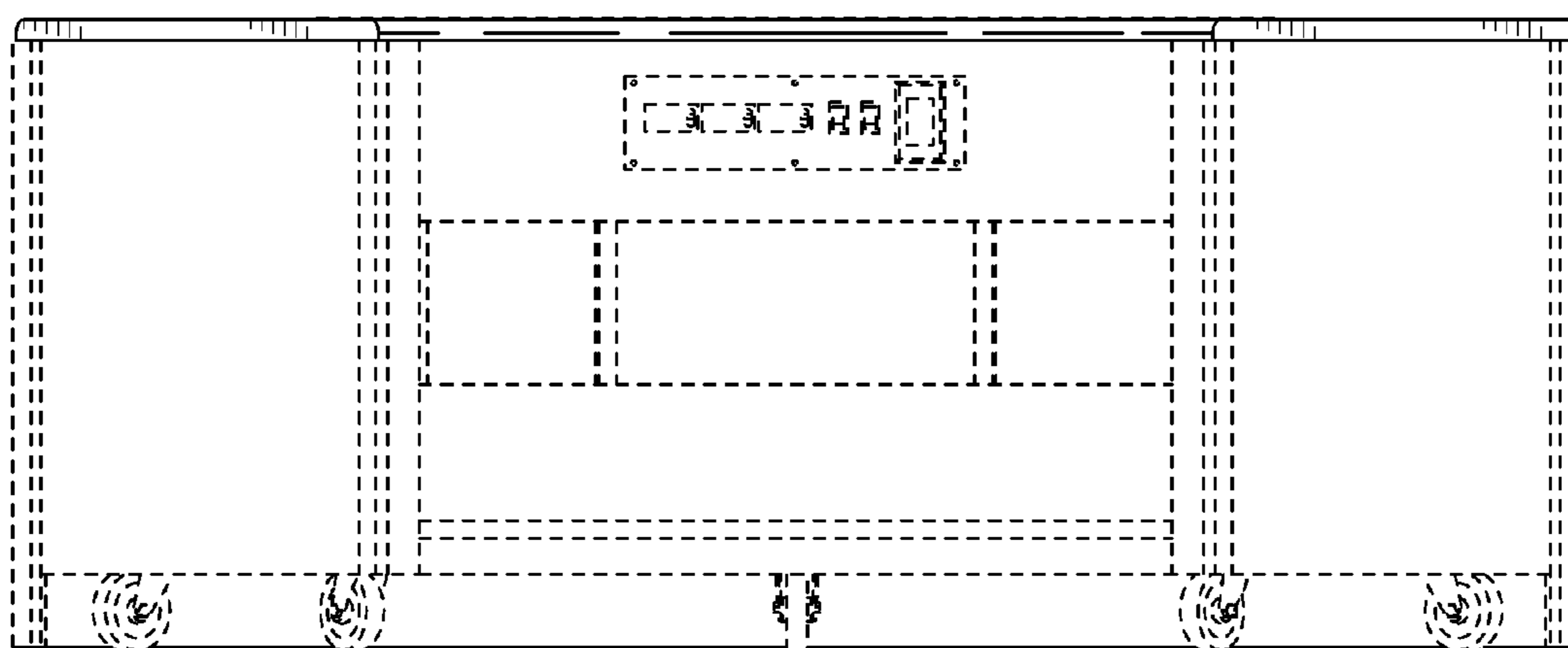


FIG. 3

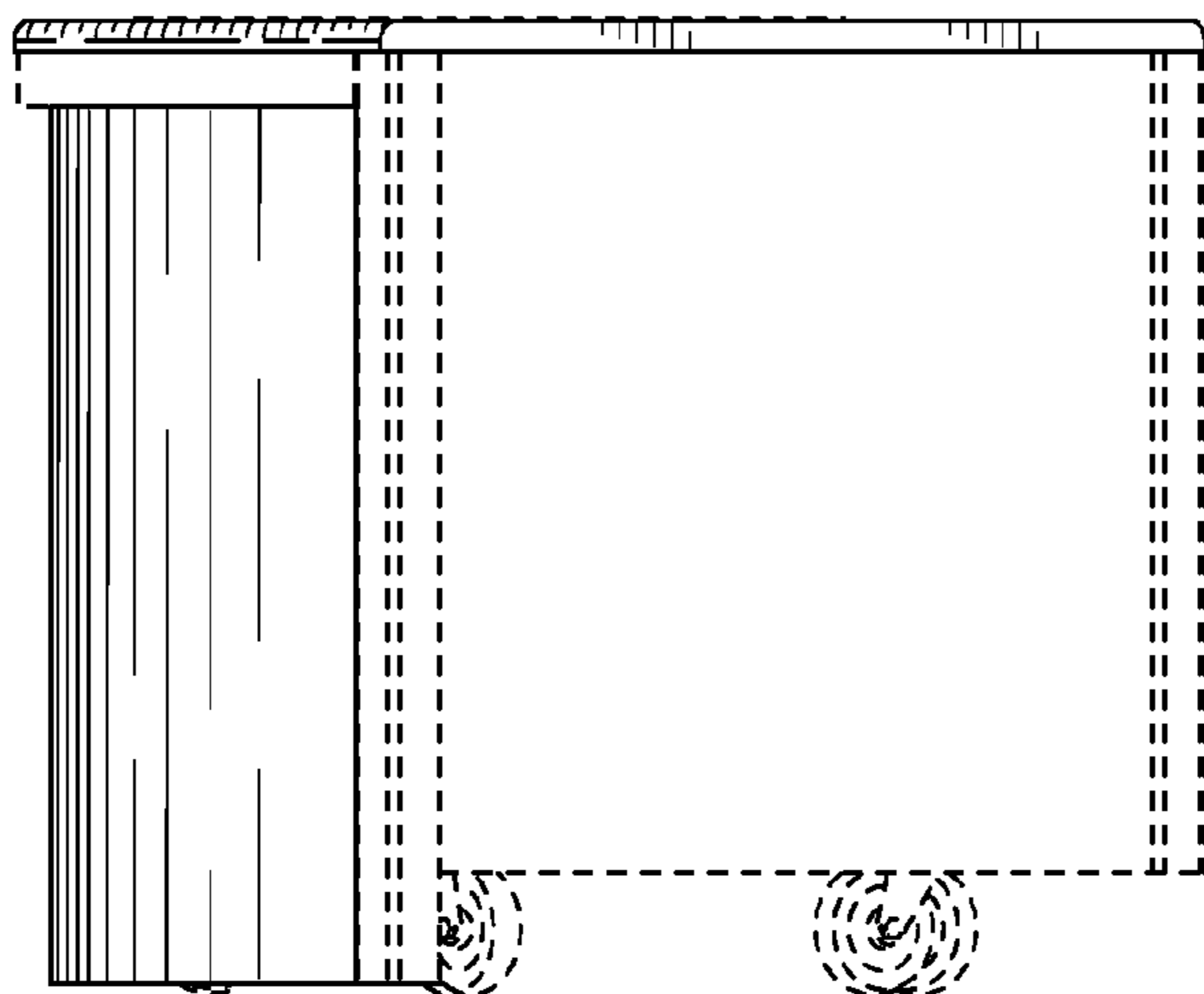


FIG. 4

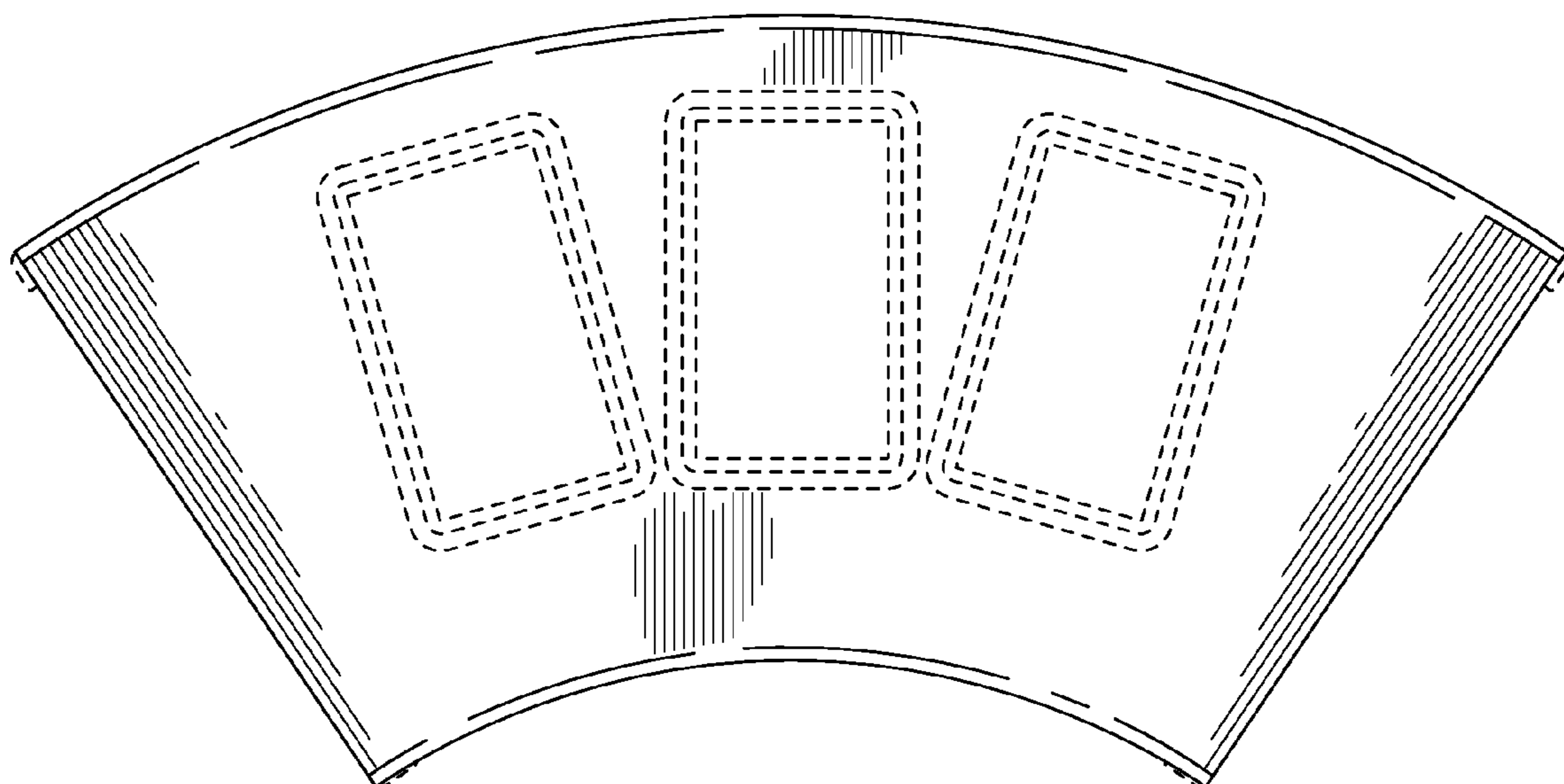


FIG. 5

