



US00D587936S

(12) **United States Design Patent**  
**Johnson**

(10) **Patent No.:** **US D587,936 S**

(45) **Date of Patent:** **\*\* Mar. 10, 2009**

(54) **KEY CHAIN HOLDING DEVICE**

(76) Inventor: **Kathleen K. Johnson**, 1400 Colorado St., #C, Boulder City, NV (US) 89005

(\*\*) Term: **14 Years**

(21) Appl. No.: **29/320,115**

(22) Filed: **Jun. 20, 2008**

(51) **LOC (9) Cl.** ..... **06-04**

(52) **U.S. Cl.** ..... **D6/467; D6/563**

(58) **Field of Classification Search** ..... D6/462,  
D6/563, 449, 467, 450; D8/347; 70/460;  
D3/211, 207; D11/60; D21/483, 532; 211/85.9,  
211/13.1, 87.01

See application file for complete search history.

(56) **References Cited**

**U.S. PATENT DOCUMENTS**

D260,829 S *	9/1981	Creamer .....	D6/563
5,365,760 A *	11/1994	Song .....	70/460
D439,401 S *	3/2001	Johnson .....	D3/211
D478,207 S *	8/2003	Johnson .....	D3/207

D485,505 S *	1/2004	Cohen .....	D11/60
D581,655 S *	12/2008	Johnson .....	D3/211

\* cited by examiner

*Primary Examiner*—Caron Veynar

*Assistant Examiner*—Sydney R Buffalow

(74) *Attorney, Agent, or Firm*—Jeffrey D. Moy; Weiss & Moy, P.C.

(57) **CLAIM**

The ornamental design for a key chain holding device, as shown and described.

**DESCRIPTION**

FIG. 1 is an elevated perspective view of the key chain holding device;

FIG. 2 is a back view of the key chain holding device;

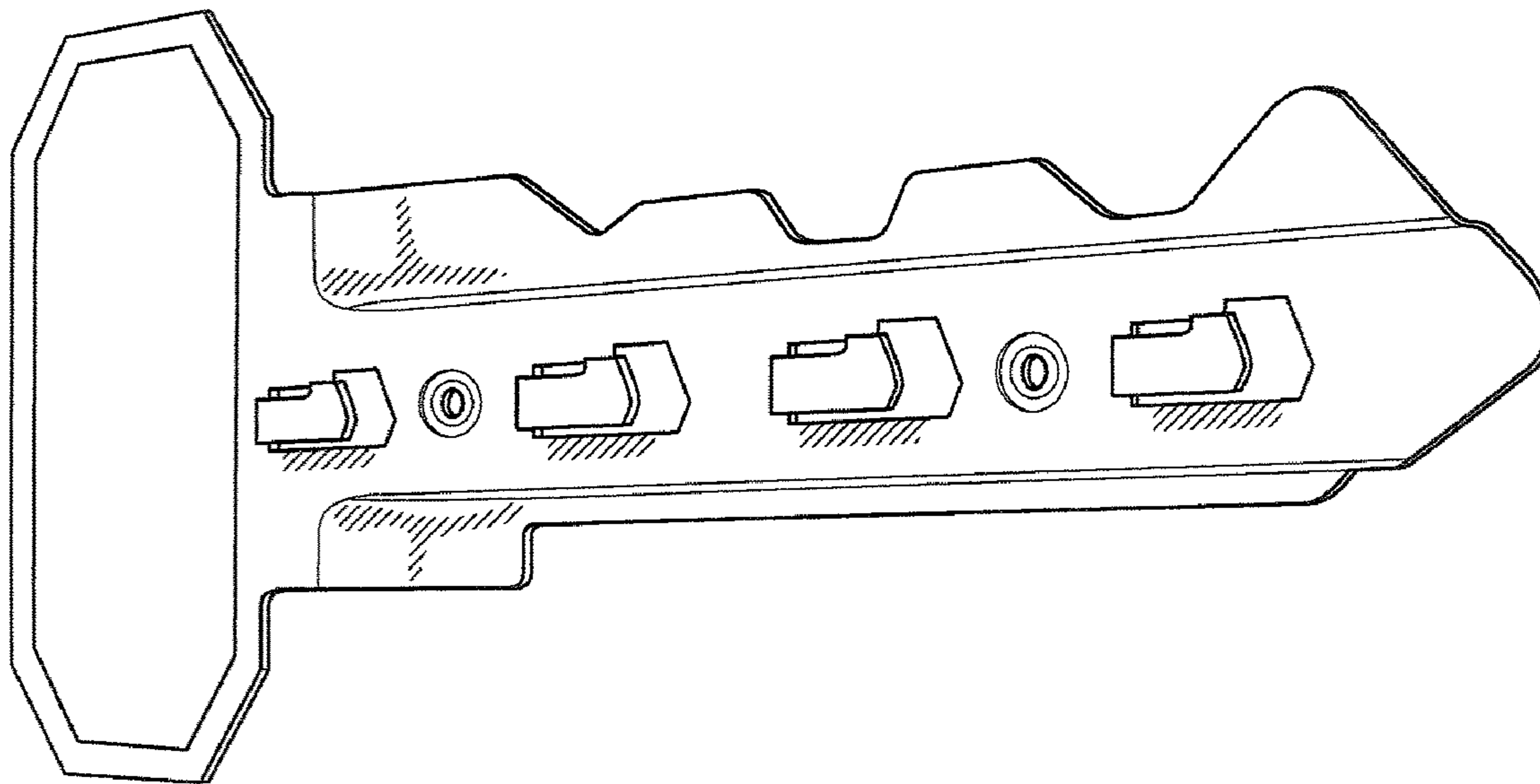
FIG. 3 is bottom view of the key chain holding device; and

FIG. 4 is a top view of the key chain holding device;

FIG. 5 is a first side view of the key chain holding device; and,

FIG. 6 is a second side view of the key chain holding device.

**1 Claim, 2 Drawing Sheets**



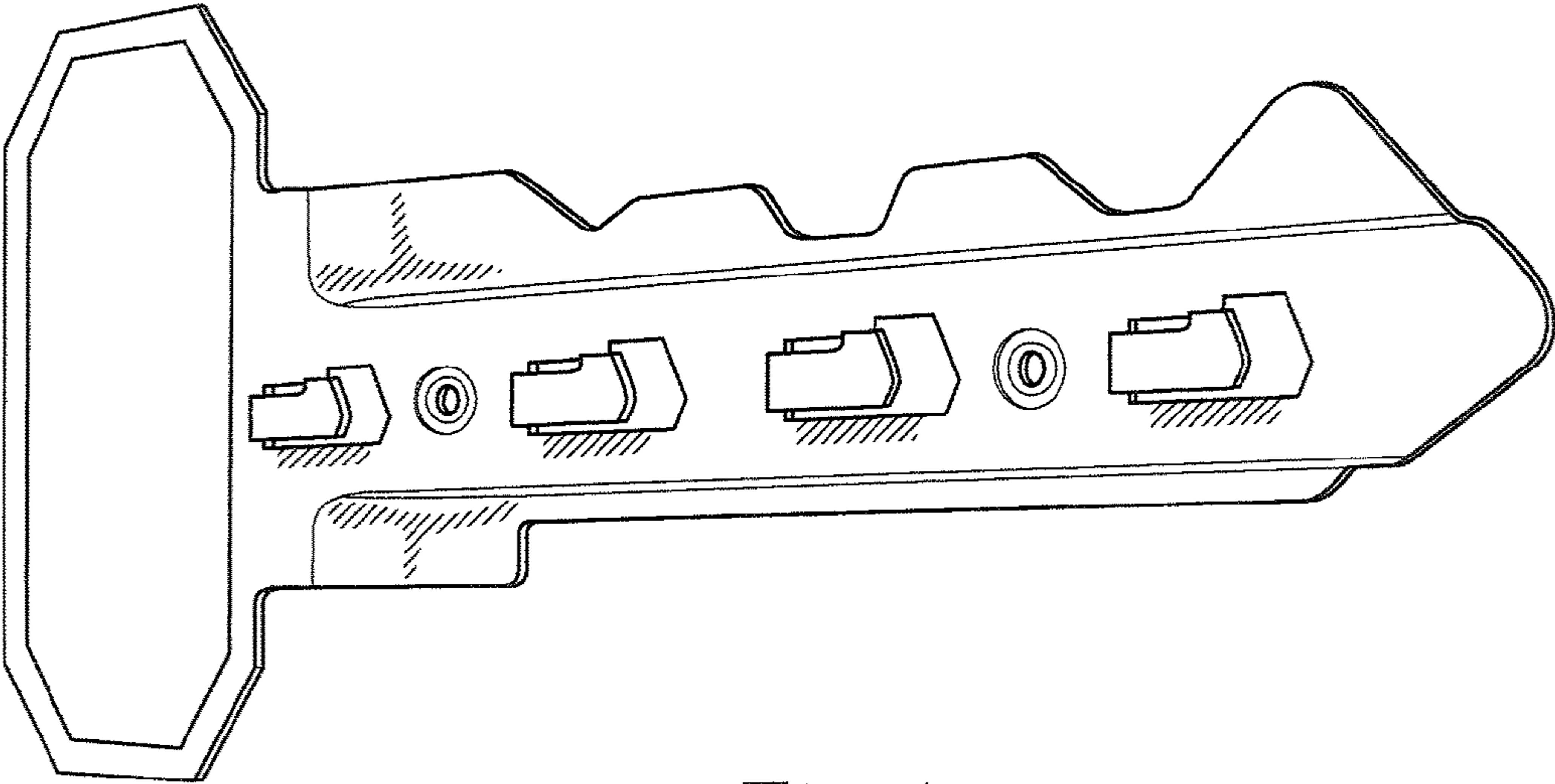


Fig. 1

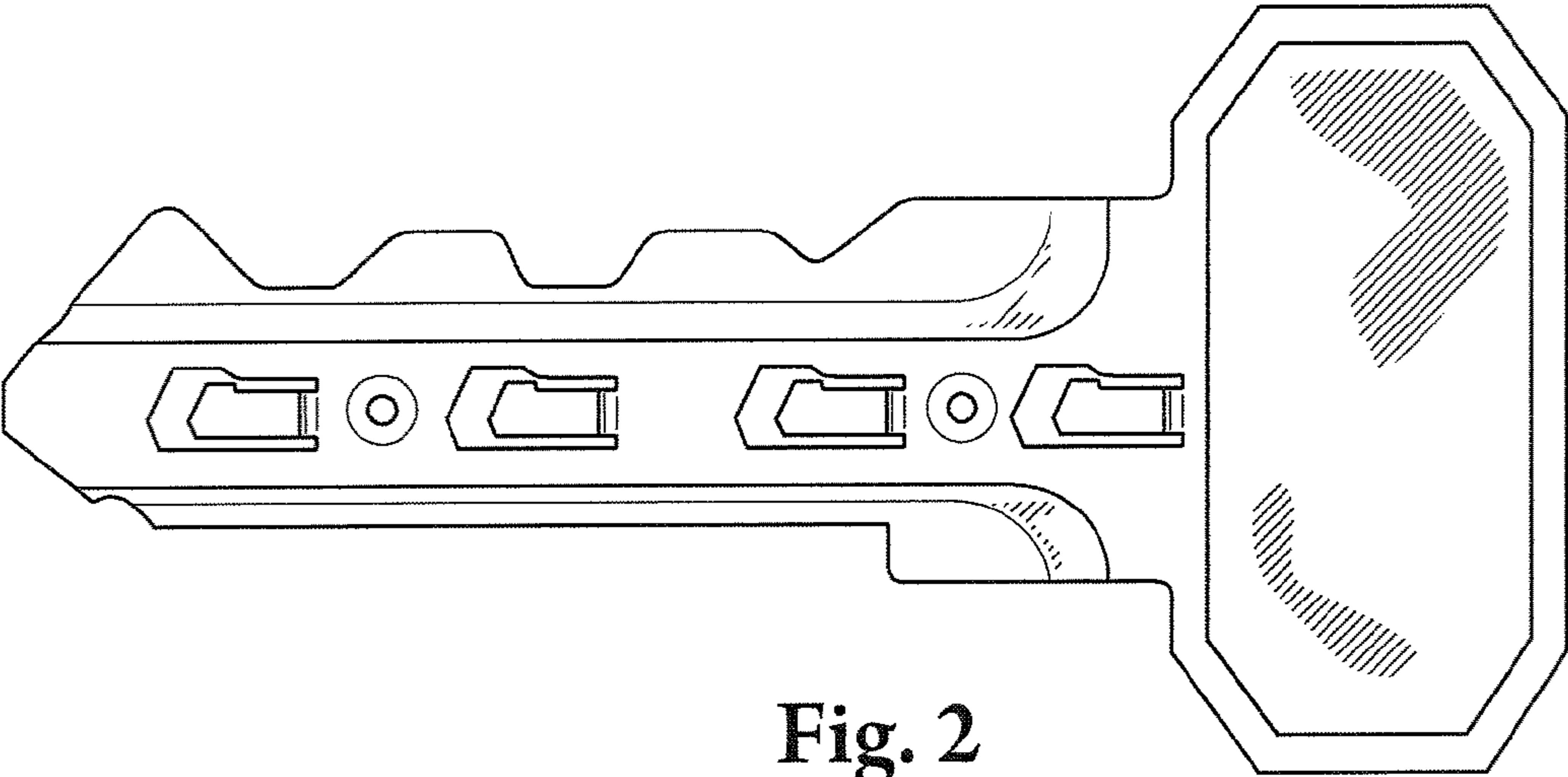


Fig. 2

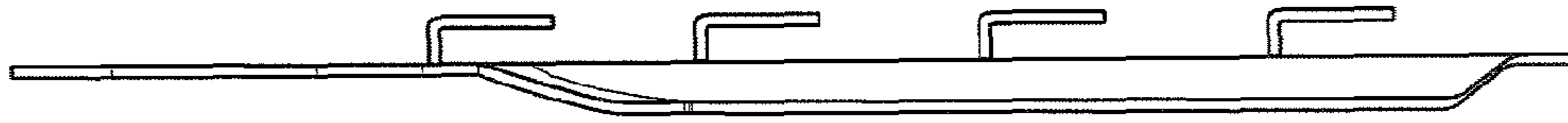


Fig. 3

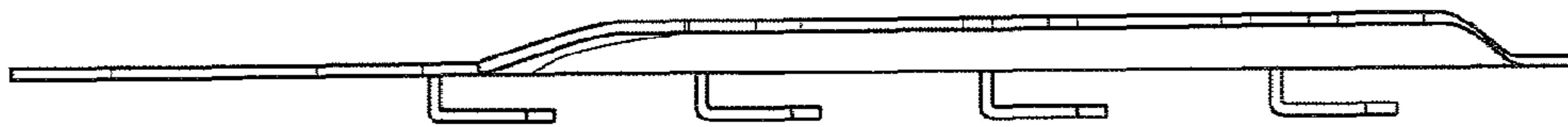


Fig. 4

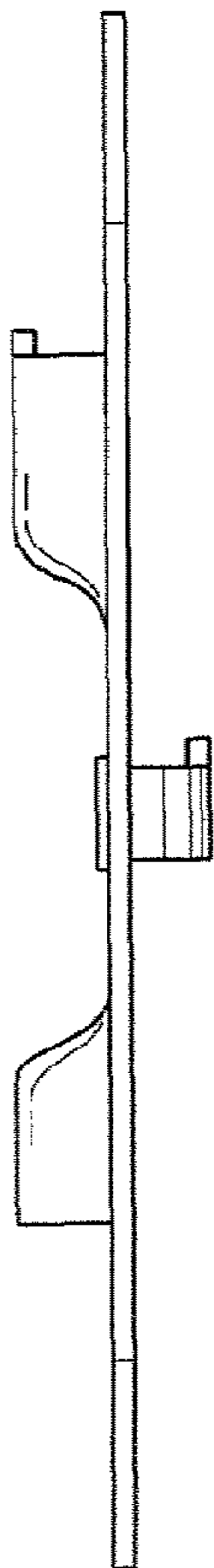


Fig. 5

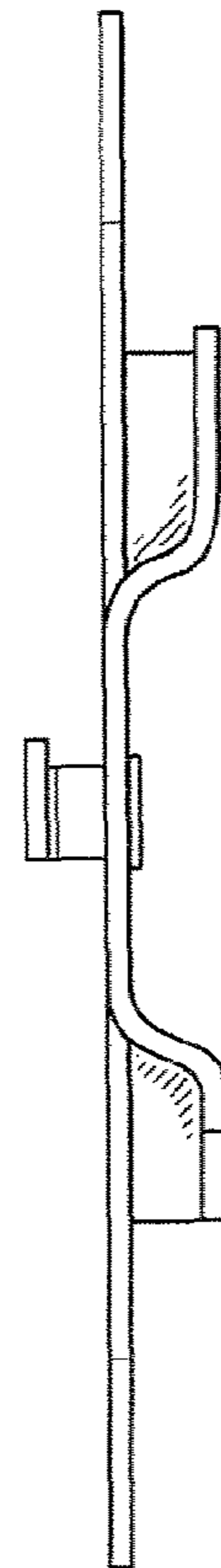


Fig. 6