



US00D587934S

(12) **United States Design Patent**  
**Winig et al.**

(10) **Patent No.:** **US D587,934 S**  
(45) **Date of Patent:** **\*\* Mar. 10, 2009**

(54) **DISPLAY PANEL**

(75) Inventors: **Alan Winig**, Wynnewood, PA (US);  
**Richard Winig**, Villanova, PA (US);  
**James Eldon**, Barto, PA (US)

(73) Assignee: **Eye Designs, LLC**, Collegetown, PA (US)

(\*\*) Term: **14 Years**

(21) Appl. No.: **29/317,545**

(22) Filed: **May 1, 2008**

(51) **LOC (9) Cl.** ..... **06-04**

(52) **U.S. Cl.** ..... **D6/449**

(58) **Field of Classification Search** ..... D6/455-469,  
D6/411, 437, 396, 436, 408, 515, 509, 567;  
211/87.01, 13.1, 85.6, 11, 85.1, 85.13, 85.4;  
206/5, 6, 6.1

See application file for complete search history.

(56) **References Cited**

**U.S. PATENT DOCUMENTS**

|           |    |   |         |                   |       |           |
|-----------|----|---|---------|-------------------|-------|-----------|
| D193,043  | S  | * | 6/1962  | Talmadge          | ..... | D6/465    |
| 5,085,388 | A  |   | 2/1992  | Creutz            | ..... | 248/288.5 |
| 5,593,045 | A  |   | 1/1997  | Eldon, III et al. | ..... | 211/13    |
| 5,819,957 | A  |   | 10/1998 | Hahn              | ..... | 211/85.1  |
| D401,450  | S  |   | 11/1998 | Ennis             | ..... | D6/466    |
| D402,827  | S  |   | 12/1998 | Ennis             | ..... | D6/466    |
| D406,714  | S  |   | 3/1999  | Eldon, III et al. | ..... | D6/567    |
| 5,921,409 | A  |   | 7/1999  | Gerber et al.     | ..... | 211/85.1  |
| 6,401,371 | B2 |   | 6/2002  | Martorella        | ..... | 40/358    |
| 6,443,316 | B1 |   | 9/2002  | Mao               | ..... | 422/74    |
| D464,510  | S  | * | 10/2002 | Shea              | ..... | D6/469    |

|           |    |   |         |                 |       |            |
|-----------|----|---|---------|-----------------|-------|------------|
| 6,502,706 | B1 | * | 1/2003  | Kent            | ..... | 211/87.01  |
| 6,519,883 | B2 |   | 2/2003  | Martorella      | ..... | 40/358     |
| 6,644,608 | B1 |   | 11/2003 | Begg            | ..... | 248/229.16 |
| 7,147,113 | B2 |   | 12/2006 | Obstfeld et al. | ..... | 211/85.1   |
| D536,563  | S  |   | 2/2007  | Smith           | ..... | D6/567     |
| D554,392  | S  |   | 11/2007 | Lane et al.     | ..... | D6/468     |
| D567,542  | S  | * | 4/2008  | Lane            | ..... | D6/468     |
| D571,576  | S  | * | 6/2008  | Lane            | ..... | D6/457     |

\* cited by examiner

*Primary Examiner*—Caron Veynar

*Assistant Examiner*—Sydney R Buffalow

(74) *Attorney, Agent, or Firm*—Duane Morris LLP

(57) **CLAIM**

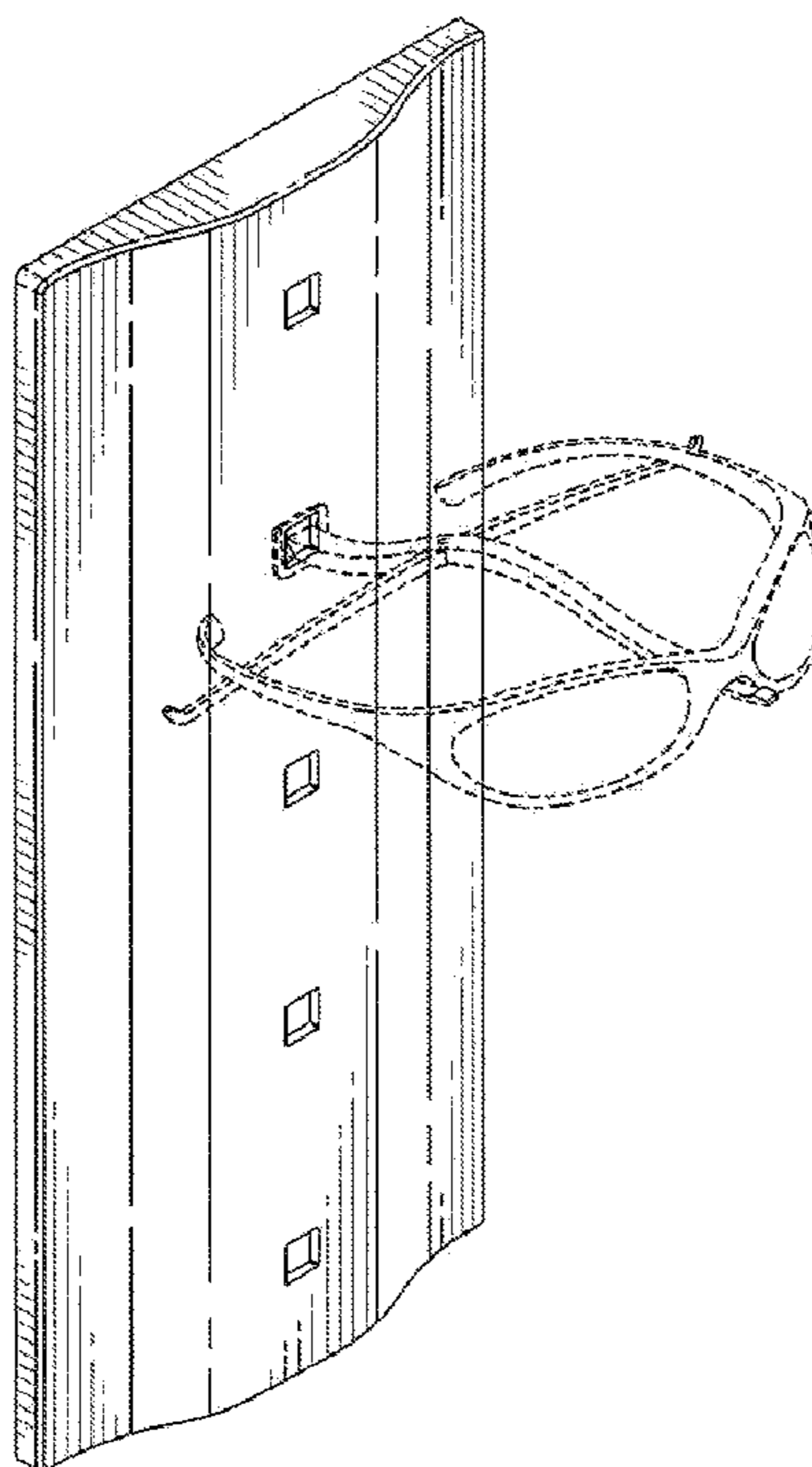
The ornamental design for a display panel, as shown and described.

**DESCRIPTION**

FIG. 1 is a perspective view of the display panel;  
FIG. 2 is another perspective view of the display panel according to the invention;  
FIG. 3, is a front view of the display panel;  
FIG. 4 is a back view of the display panel;  
FIG. 5 is a top view of the display panel;  
FIG. 6 is a bottom view of the display panel;  
FIG. 7 is a side view of the display panel; and,  
FIG. 8 is a another side view of the display panel.

The broken line showing of structure is for illustrative purposes only and forms no part of the claimed design.

**1 Claim, 5 Drawing Sheets**



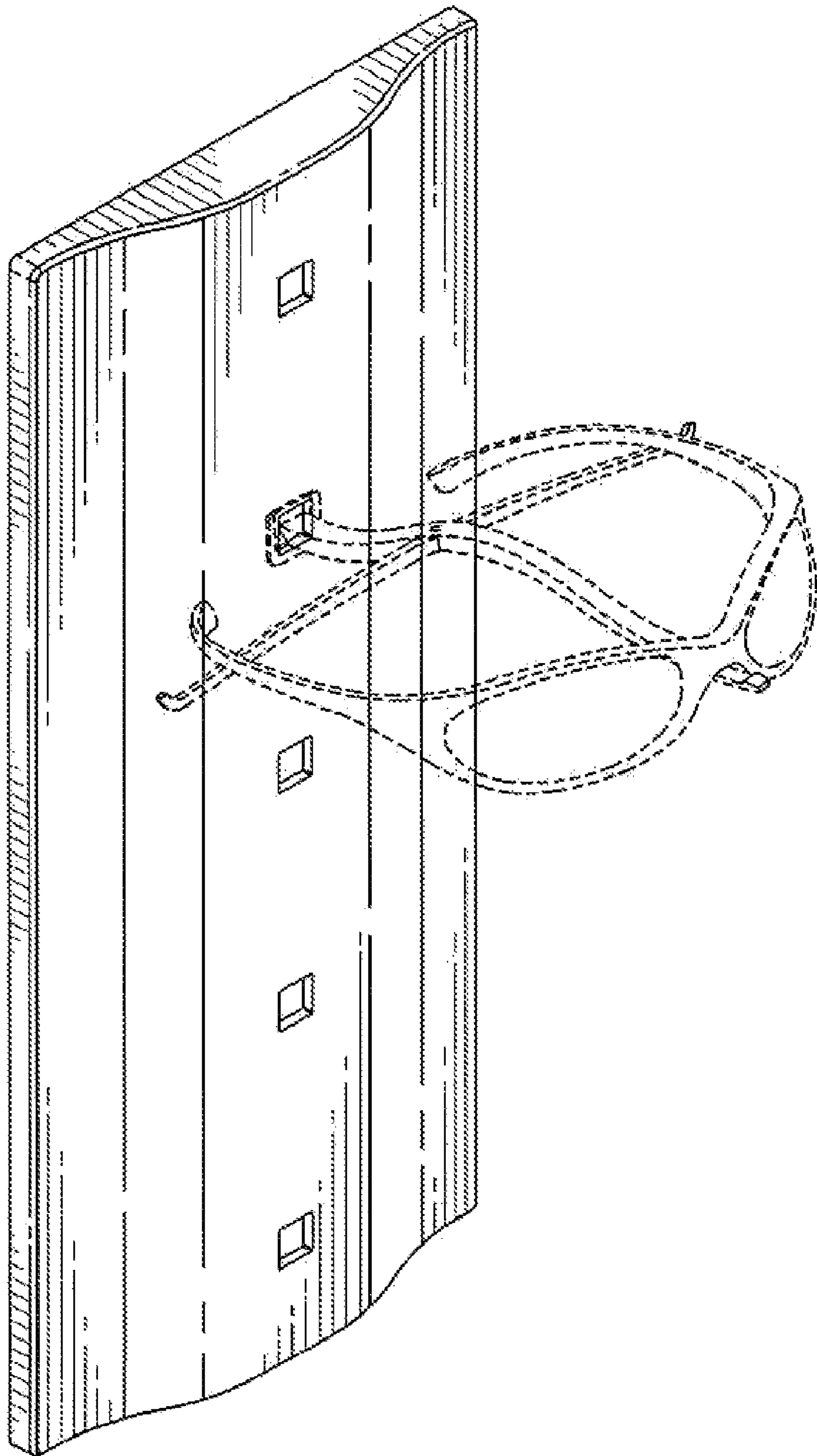


FIG. 1

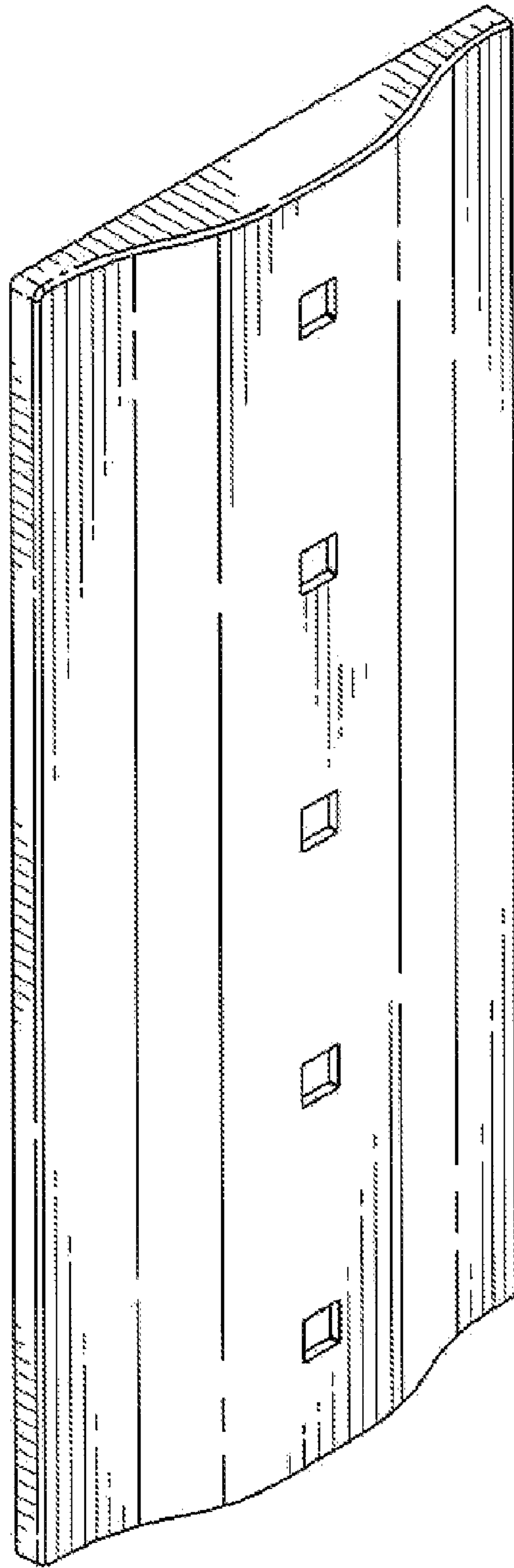


FIG. 2

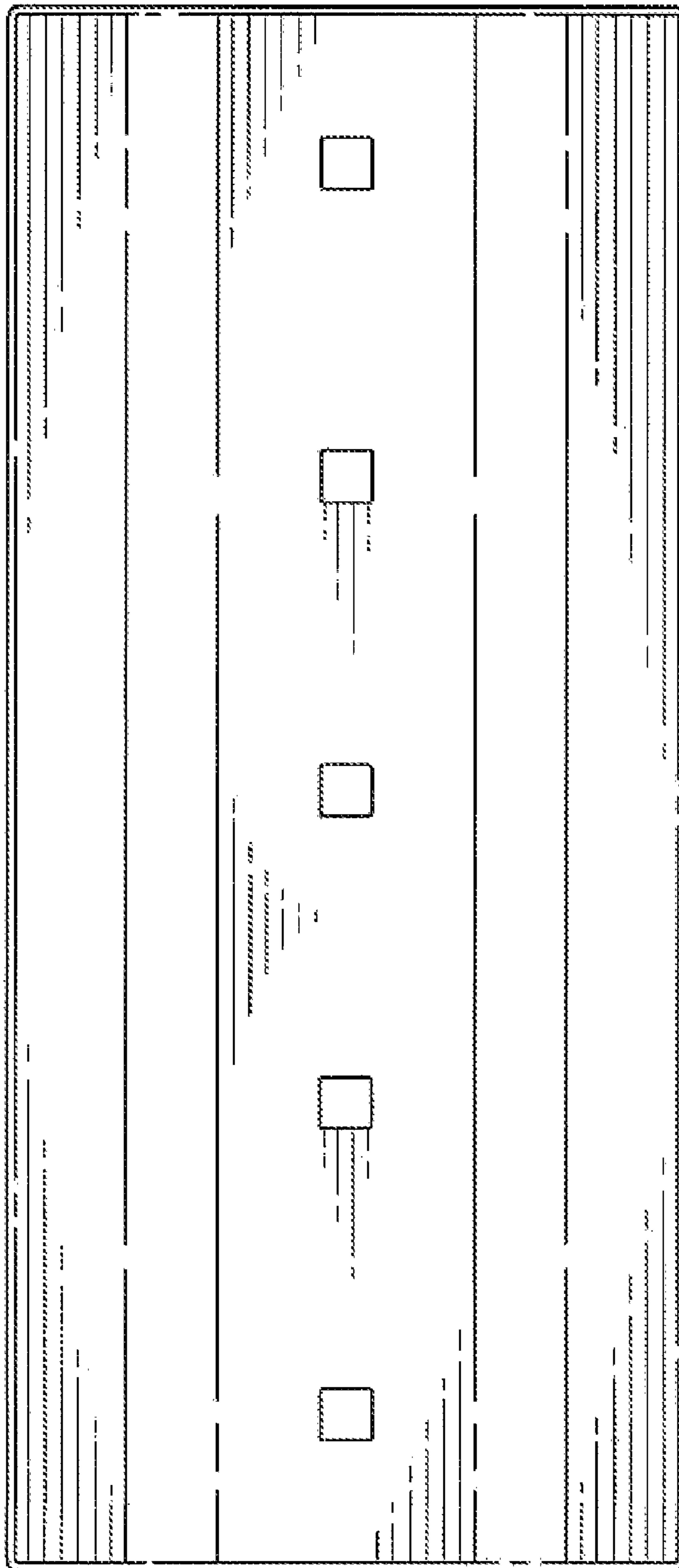


FIG. 3

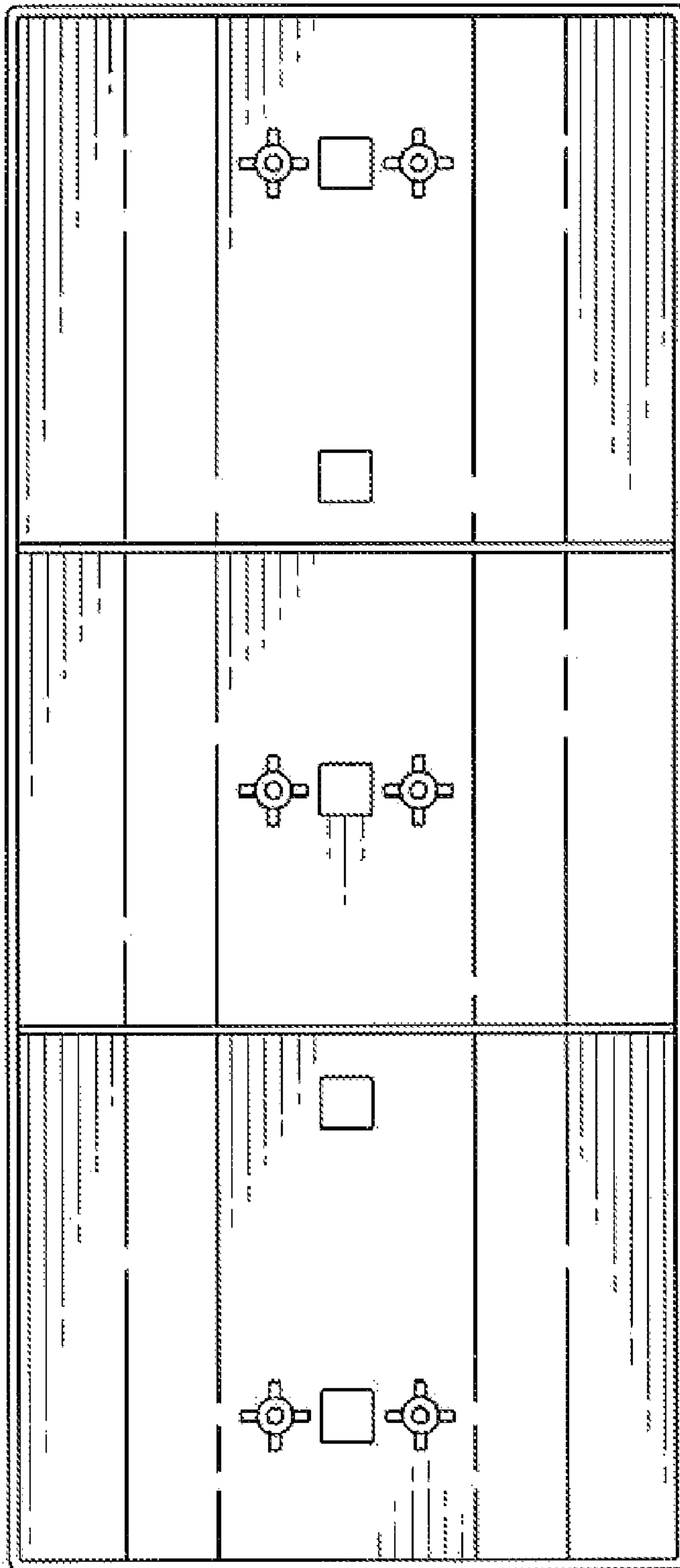


FIG. 4

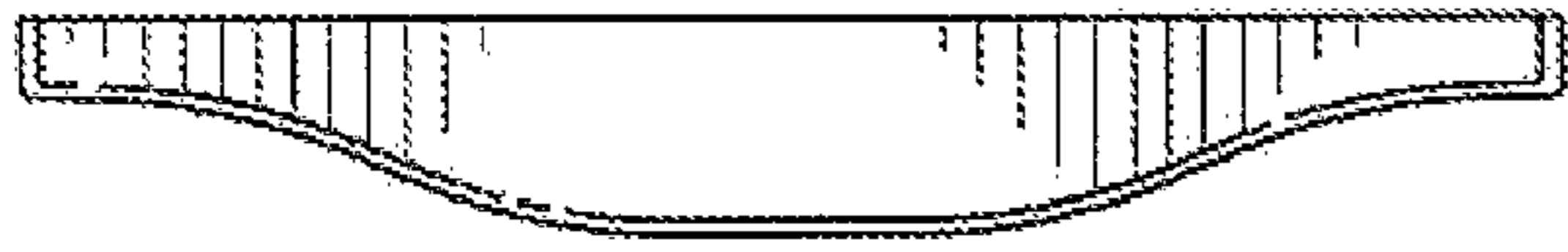


FIG. 5

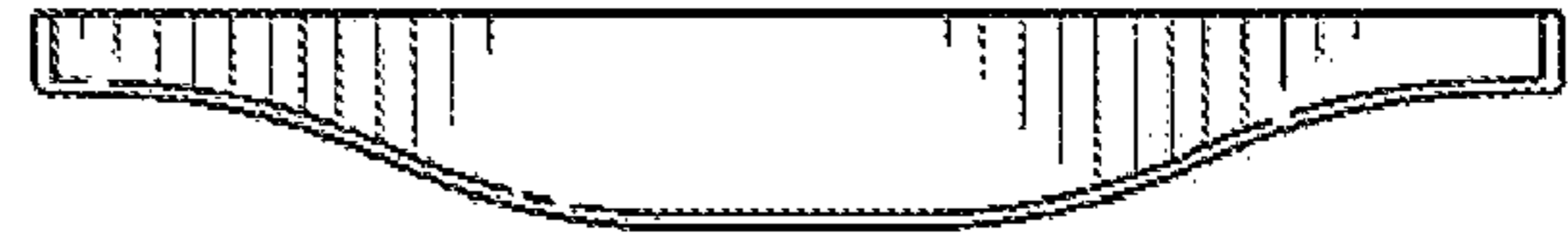


FIG. 6

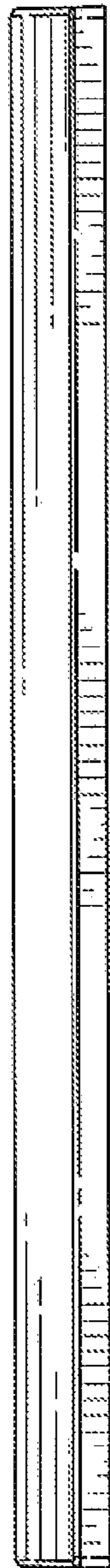


FIG. 7

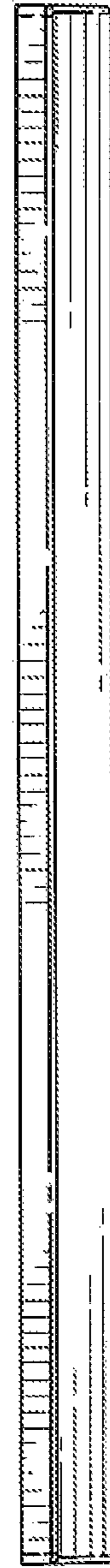


FIG. 8