



US00D587918S

(12) **United States Design Patent**  
**Bergman et al.**

(10) **Patent No.:** **US D587,918 S**  
(45) **Date of Patent:** **\*\* Mar. 10, 2009**

(54) **MODULAR LOUNGE GROUP**

(75) Inventors: **Martin Bergman**, Vienna (AT); **Harald Gründl**, Vienna (AT); **Gernot Bohmann**, Vienna (AT)

(73) Assignee: **Steelcase Development Inc.**, Grand Rapids, MI (US)

(\*\*) Term: **14 Years**

(21) Appl. No.: **29/258,868**

(22) Filed: **Apr. 28, 2006**

(51) **LOC (9) Cl.** ..... **06-01**

(52) **U.S. Cl.** ..... **D6/381**

(58) **Field of Classification Search** ..... D6/334,  
D6/335, 337, 341, 349, 353, 354, 377, 367-369,  
D6/381, 383, 492, 500-502; 5/12.1, 12.2;  
297/16.1, 232, 16.2, 245, 283.2, 353, 354.1,  
297/445.1, 448.1

See application file for complete search history.

(56) **References Cited**

**U.S. PATENT DOCUMENTS**

D169,911 S *	6/1953	Netzer	.....	D6/381
D175,877 S *	10/1955	Bertolucci	.....	D6/381
D181,640 S *	12/1957	Gellepan	.....	D6/336
D181,844 S *	1/1958	Frey	.....	D6/336
D181,845 S *	1/1958	Frey	.....	D6/336
D182,995 S *	6/1958	Frey	.....	D6/336
2,891,255 A *	6/1959	Simmons	.....	5/9.1
D192,679 S *	5/1962	Kamp	.....	D6/336
D192,913 S *	5/1962	Wilson	.....	D6/336
D193,833 S *	10/1962	Bendell	.....	D6/336
3,742,526 A *	7/1973	Lillard	.....	5/12.1
3,751,739 A *	8/1973	Assmann	.....	5/12.1

D264,026 S *	4/1982	Mascheroni	.....	D6/381
D269,057 S *	5/1983	Schatz et al.	.....	D6/335
D273,254 S *	4/1984	Fairaizen	.....	D6/335
D335,035 S *	4/1993	Floyd	.....	D6/361
D443,989 S *	6/2001	Gomez	.....	D6/335
D455,281 S *	4/2002	Andersen et al.	.....	D6/381
D455,282 S *	4/2002	Andersen et al.	.....	D6/381
D490,996 S *	6/2004	Weiss et al.	.....	D6/381
D498,075 S *	11/2004	Mourgue	.....	D6/381
D526,803 S *	8/2006	Lee	.....	D6/381

\* cited by examiner

*Primary Examiner*—Sandra Snapp

(74) *Attorney, Agent, or Firm*—Quarles & Brady, LLP

(57) **CLAIM**

The ornamental design for a modular lounge group, as shown and described.

**DESCRIPTION**

FIG. 1 is a front, left upper perspective view of an embodiment of a section of a modular lounge group embodying our new design;

FIG. 2 is a front elevational view thereof;

FIG. 3 is a left side elevational view thereof, the right side elevational view being a mirror image thereof;

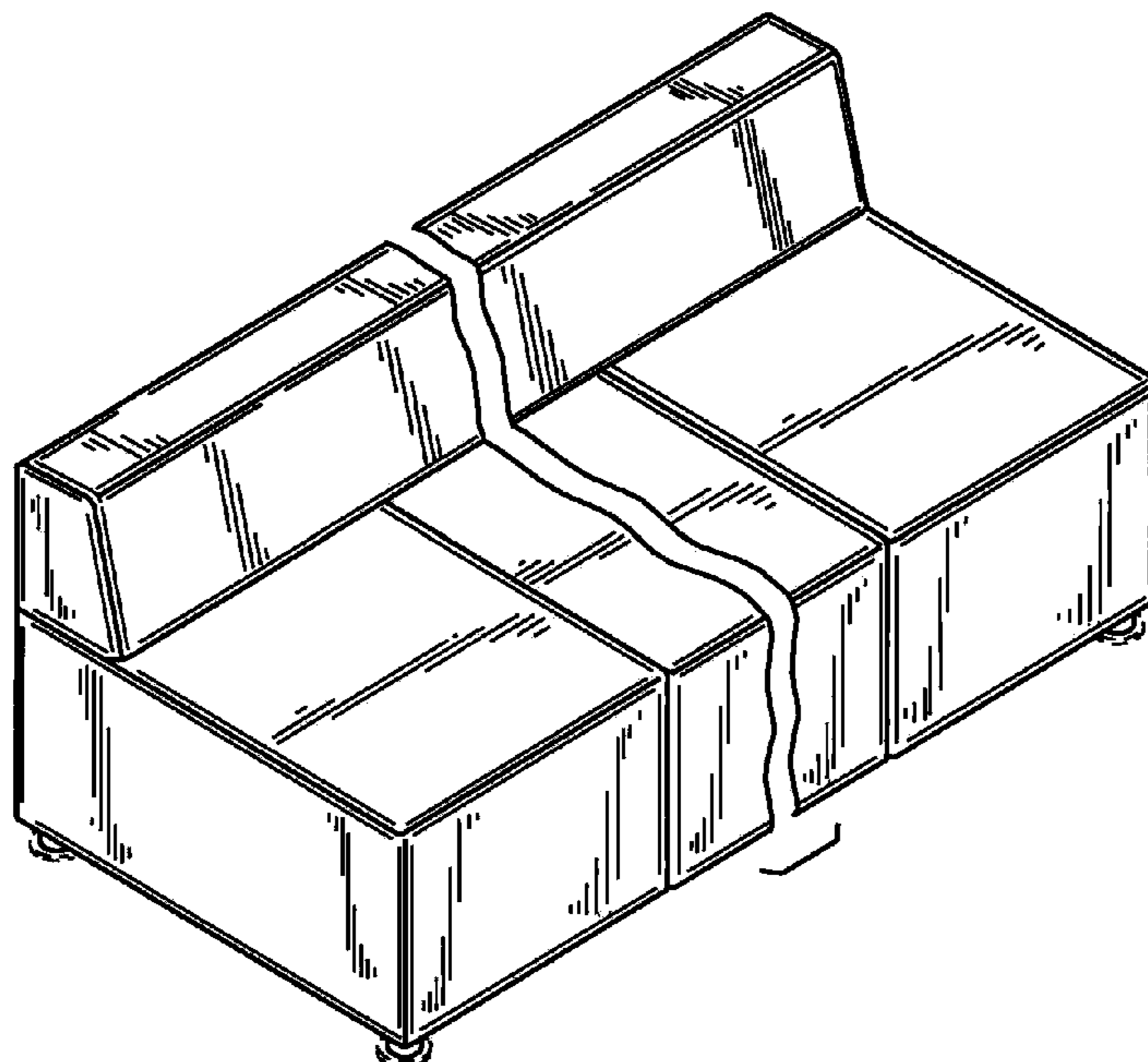
FIG. 4 is a top plan view thereof; and,

FIG. 5 is a rear elevational view thereof.

The broken line representations of the base of each of the support legs in FIGS. 1-3, and 5 form no part of the claimed design.

The broken away portions shown in FIGS. 1-2 and 4-5 represent indeterminate width of the claimed design.

**1 Claim, 2 Drawing Sheets**



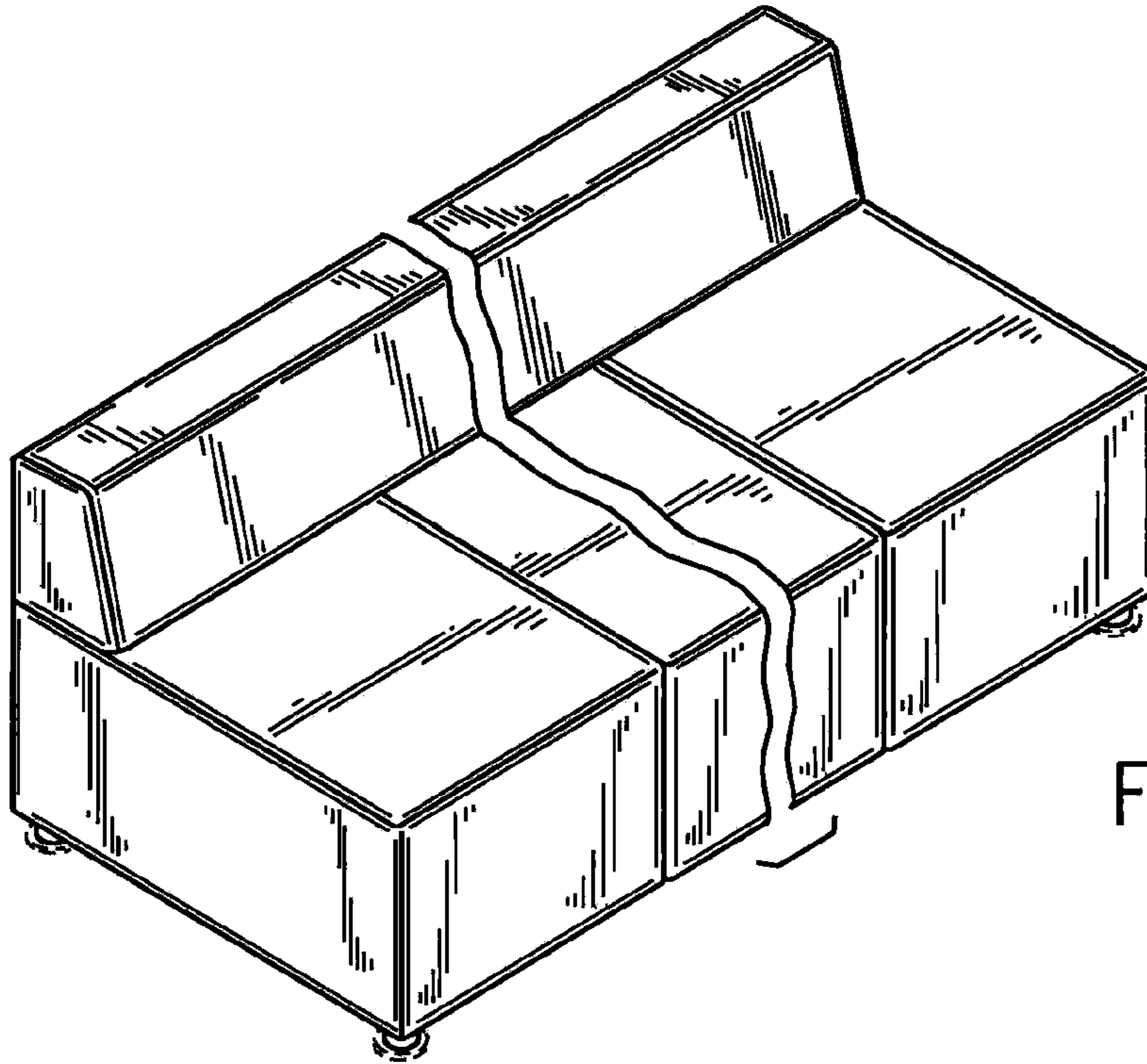


FIG. 1

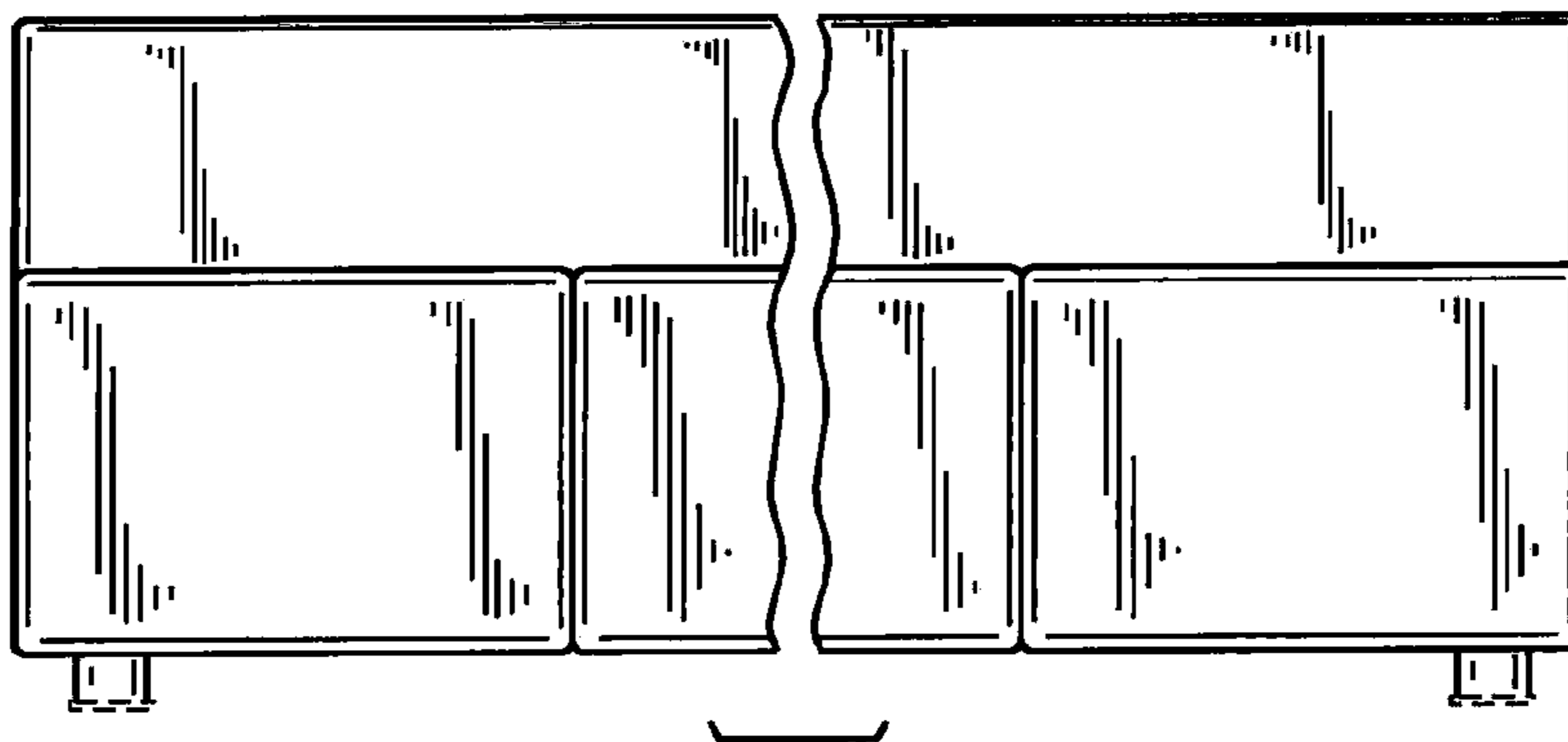


FIG. 2

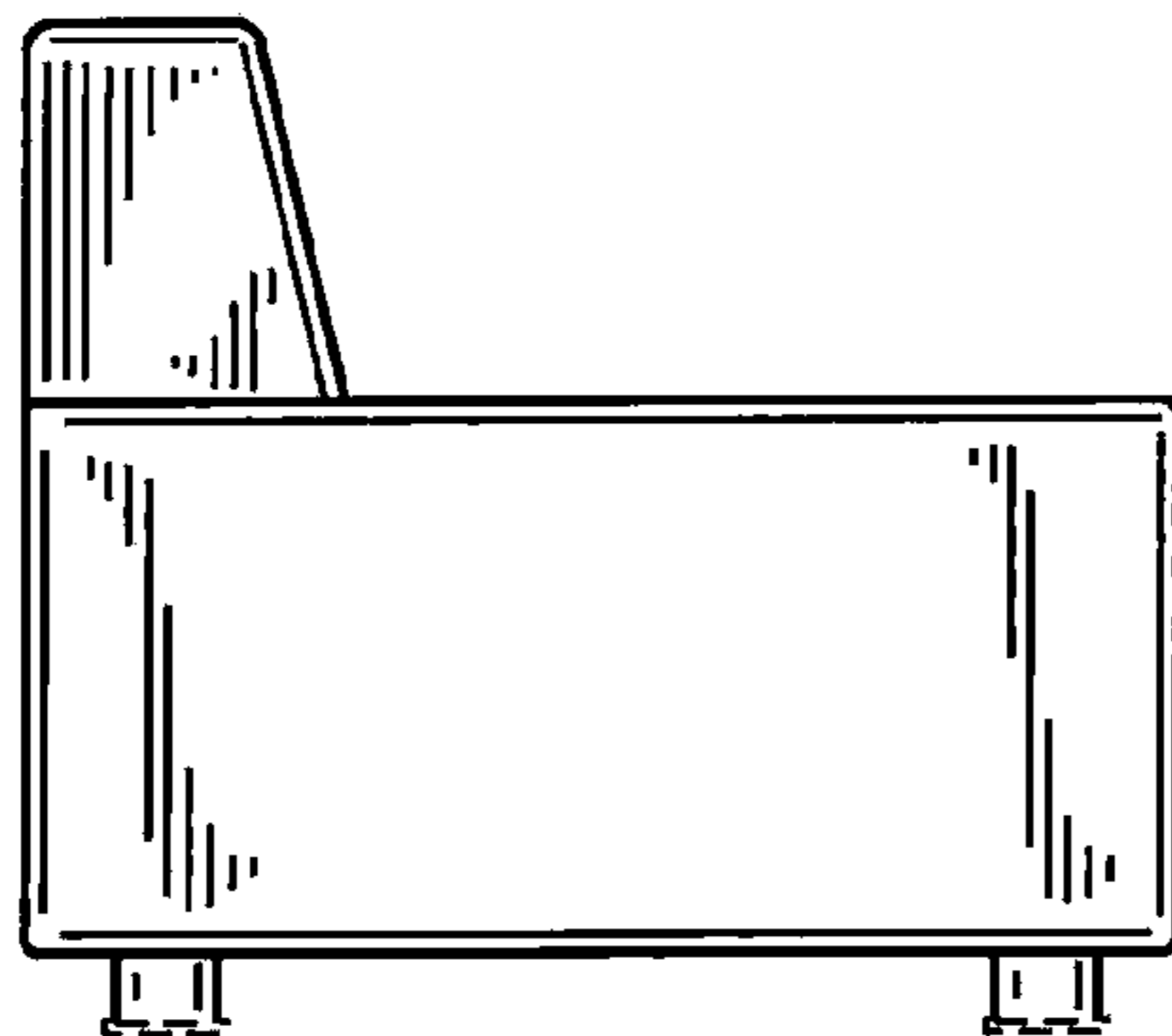


FIG. 3

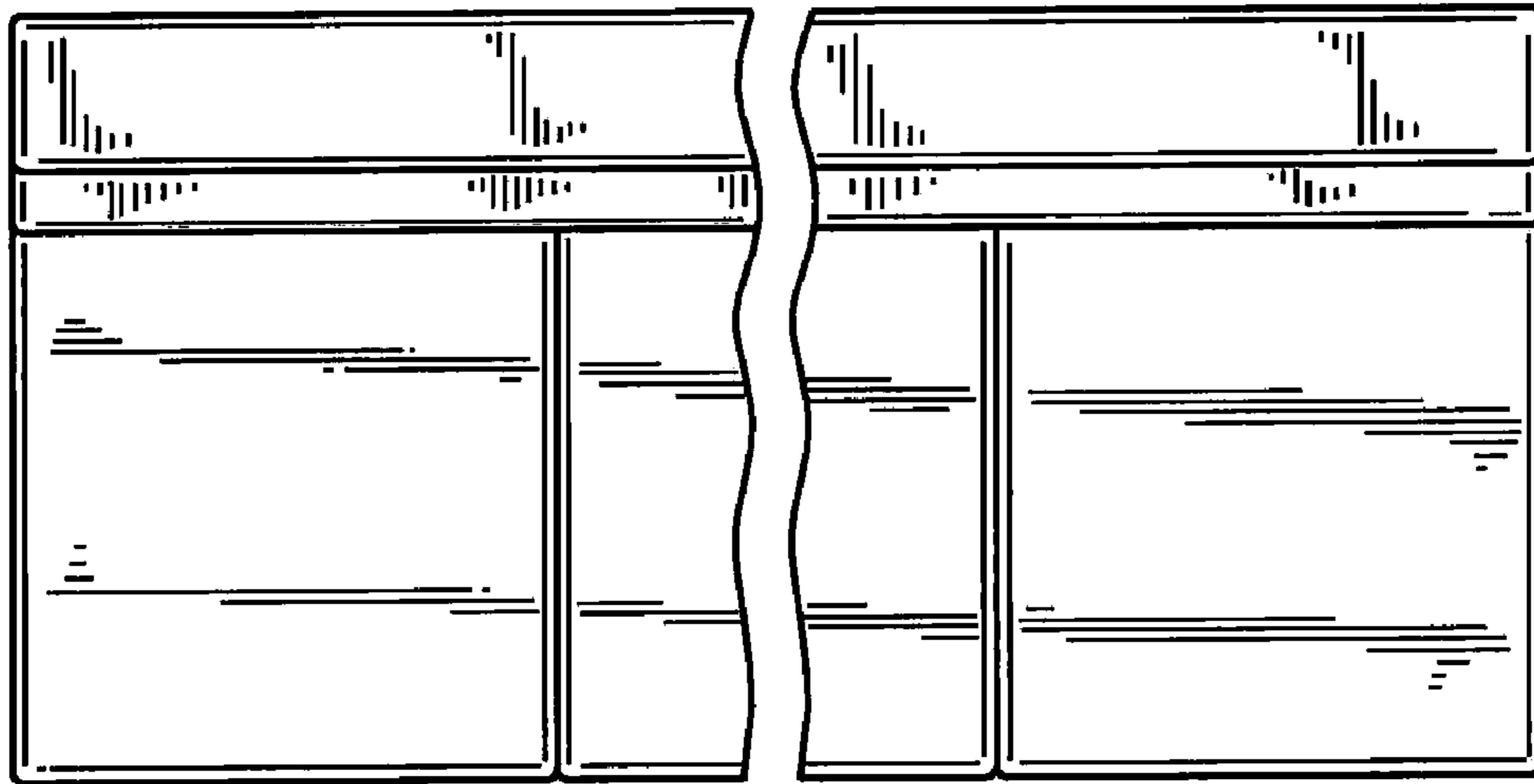


FIG. 4

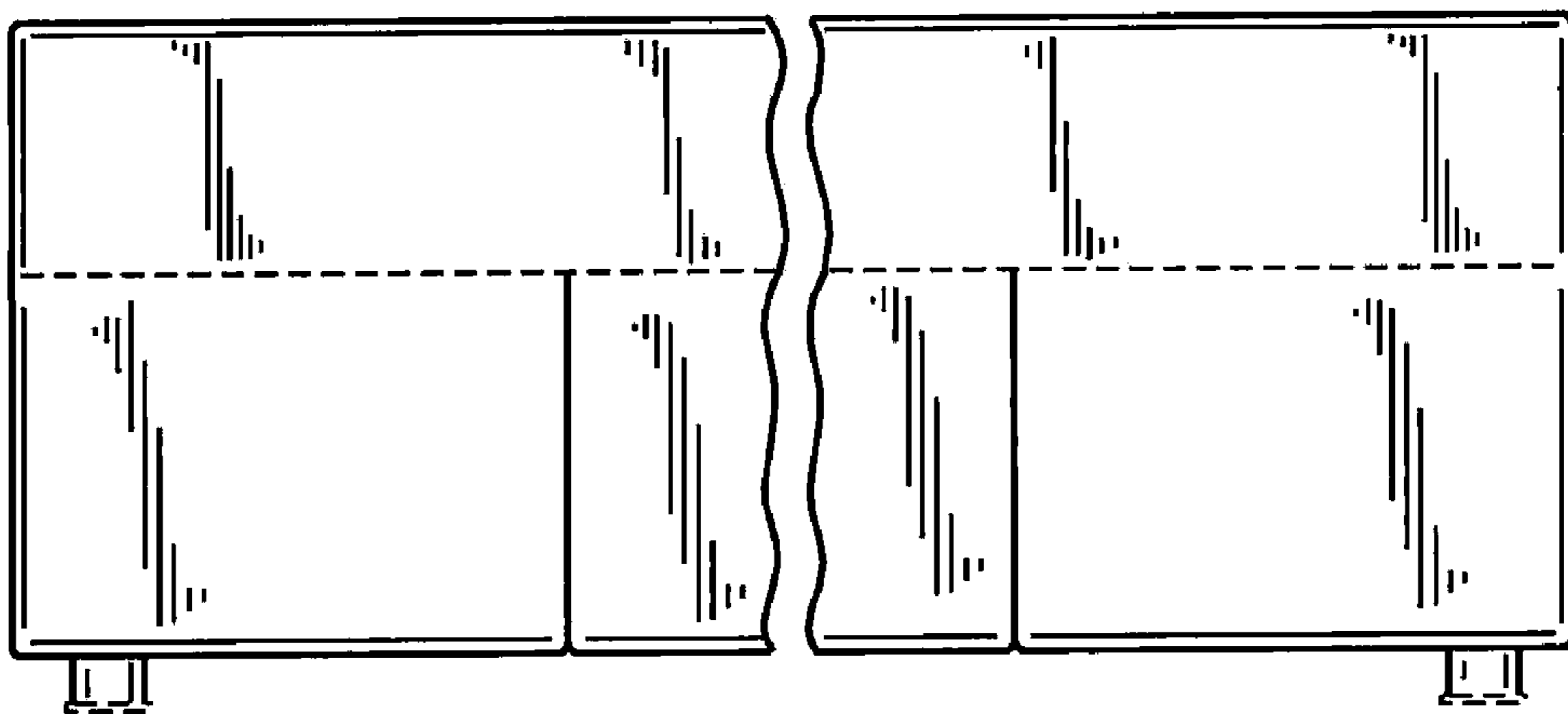


FIG. 5