



US00D587915S

(12) **United States Design Patent**  
**Igarashi**

(10) **Patent No.:** **US D587,915 S**  
(45) **Date of Patent:** **\*\* Mar. 10, 2009**

(54) **CHAIR**

(75) Inventor: **Ryo Igarashi**, Tokyo (JP)

(73) Assignee: **Okamura Corporation**, Yokohama-shi (JP)

(\*\*) Term: **14 Years**

(21) Appl. No.: **29/246,450**

(22) Filed: **Apr. 13, 2006**

(30) **Foreign Application Priority Data**

Oct. 20, 2005 (JP) ..... 2005-030717

(51) **LOC (9) Cl.** ..... **06-01**

(52) **U.S. Cl.** ..... **D6/366**

(58) **Field of Classification Search** ..... D6/334-335,  
D6/364-367, 372, 498, 500-502; 297/411.2,  
297/411.27, 411.36, 452.29

See application file for complete search history.

(56) **References Cited**

**U.S. PATENT DOCUMENTS**

- D253,677 S \* 12/1979 Lubke ..... D6/366
- D256,741 S \* 9/1980 Acton ..... D6/366
- D449,172 S \* 10/2001 Van De Riet et al. .... D6/366
- D500,607 S \* 1/2005 Tsai ..... D6/366
- D510,202 S \* 10/2005 Chadwick et al. .... D6/366

- D512,574 S \* 12/2005 Tsai ..... D6/366
- D514,833 S \* 2/2006 Kinoshita ..... D6/366
- D516,828 S \* 3/2006 Tsai ..... D6/366
- D517,820 S \* 3/2006 Citterio ..... D6/366
- D535,486 S \* 1/2007 Huang ..... D6/366
- D535,838 S \* 1/2007 Ritch et al. .... D6/500
- D542,043 S \* 5/2007 Wu ..... D6/366

\* cited by examiner

*Primary Examiner*—Caron Veynar

*Assistant Examiner*—Abraham Bahta

(57) **CLAIM**

The ornamental design for a chair, as shown.

**DESCRIPTION**

FIG. 1 is a front elevational view of a chair showing my new design;

FIG. 2 is a top plan view thereof;

FIG. 3 is a rear elevational view thereof;

FIG. 4 is a right side elevational view thereof;

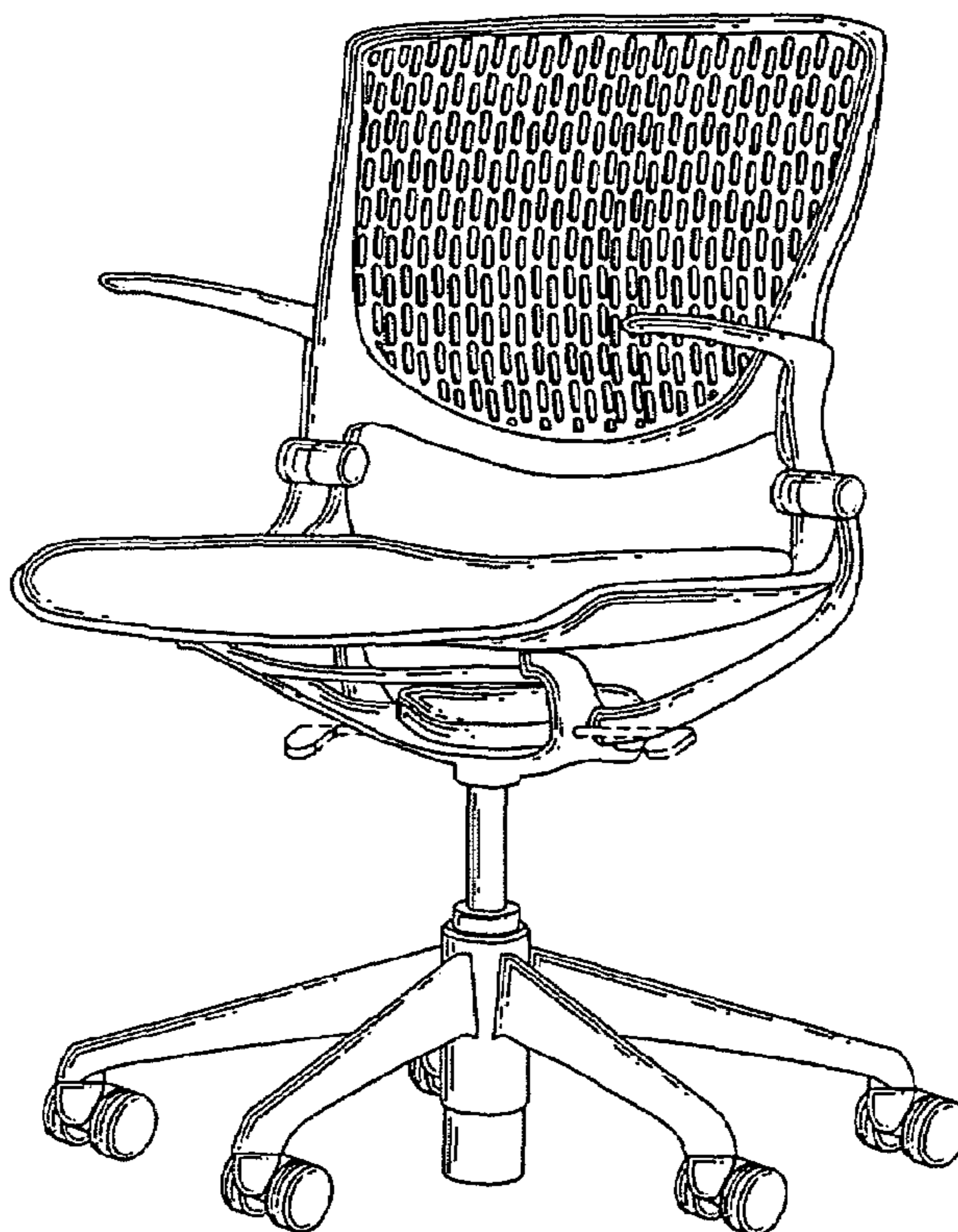
FIG. 5 is a bottom plan view thereof;

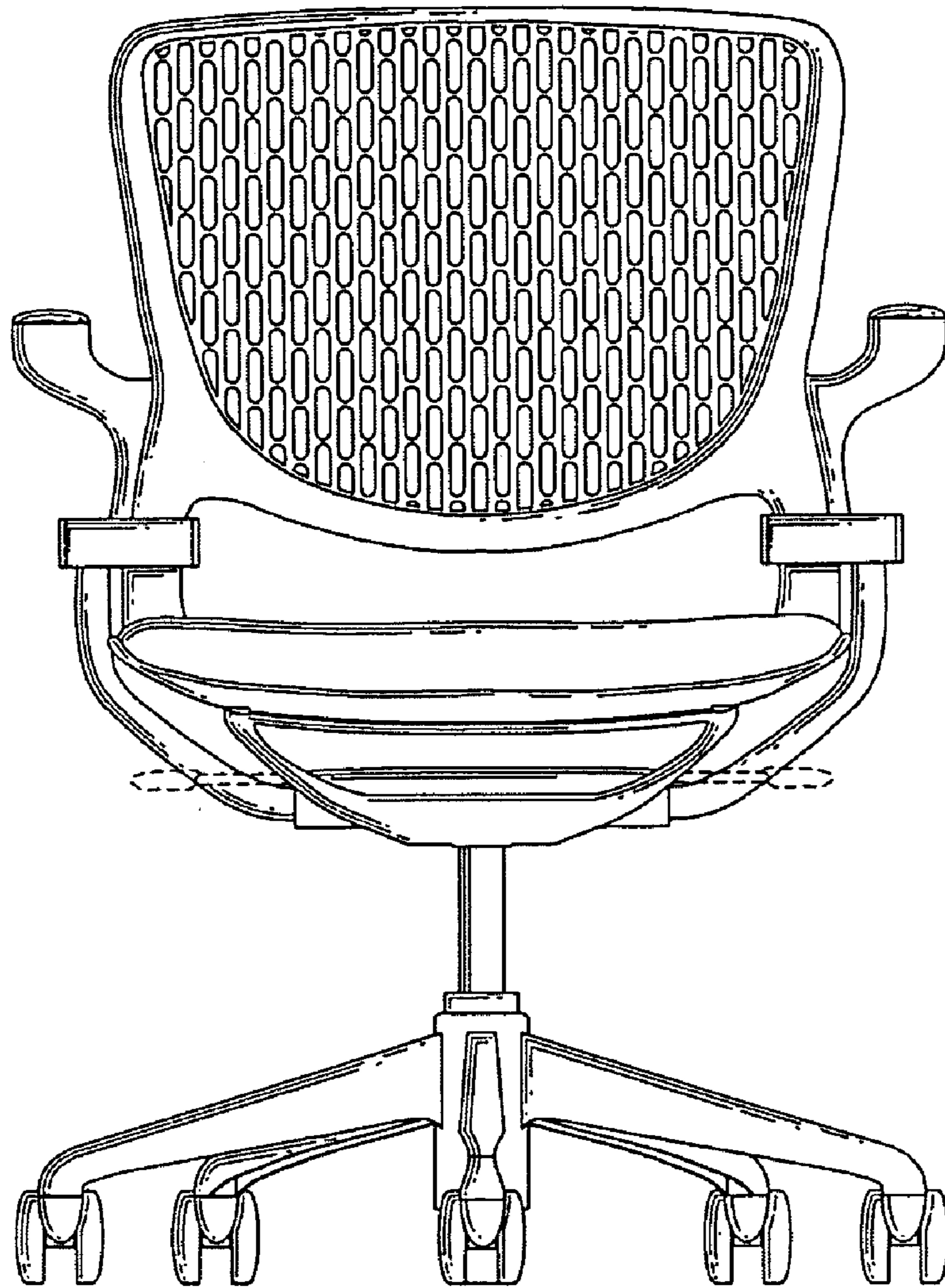
FIG. 6 is a front perspective view thereof; and,

FIG. 7 is a rear perspective view thereof.

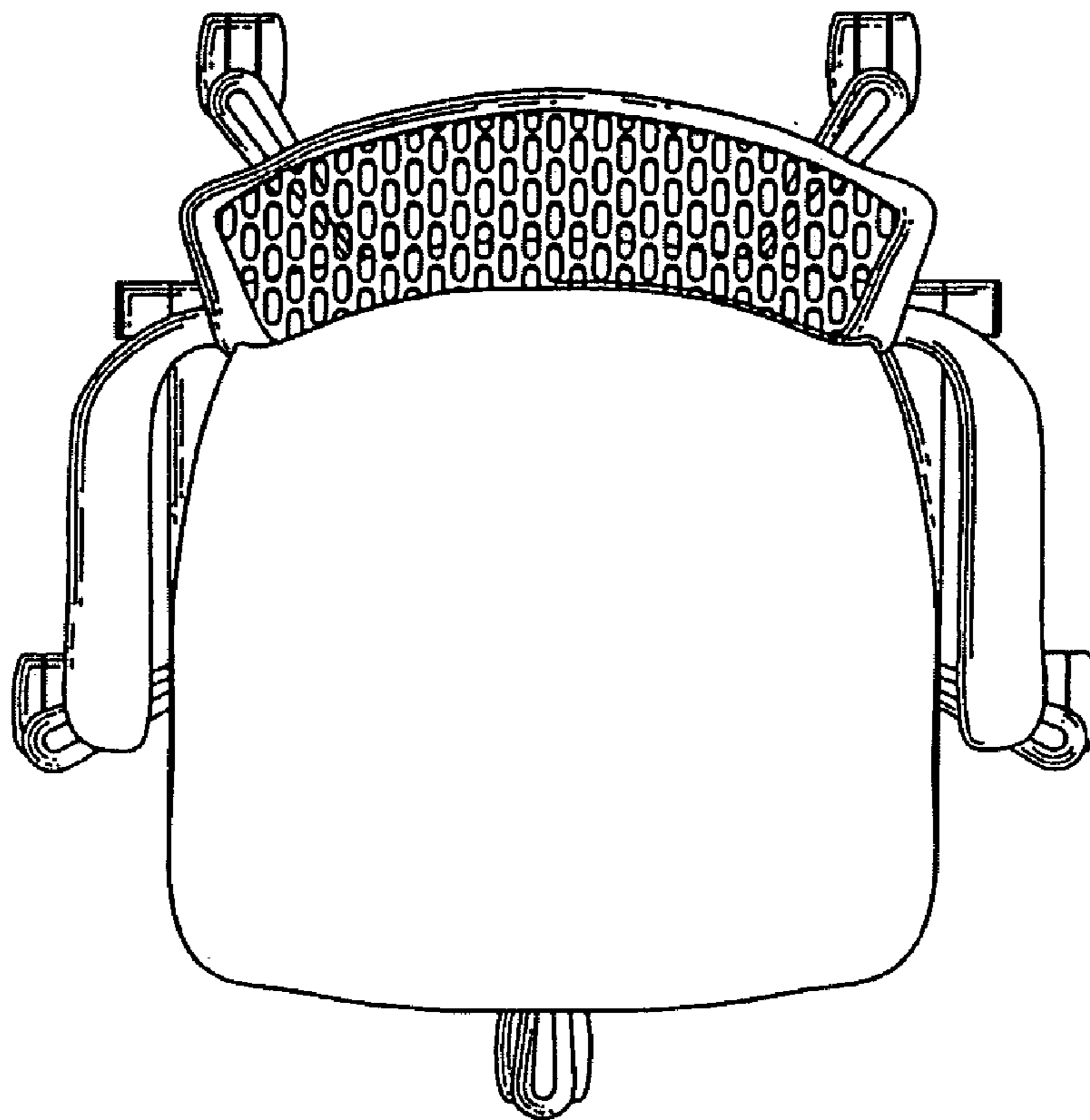
The broken lines shown in the drawings are for illustrative purposes only and form no part of the claimed design.

**1 Claim, 7 Drawing Sheets**

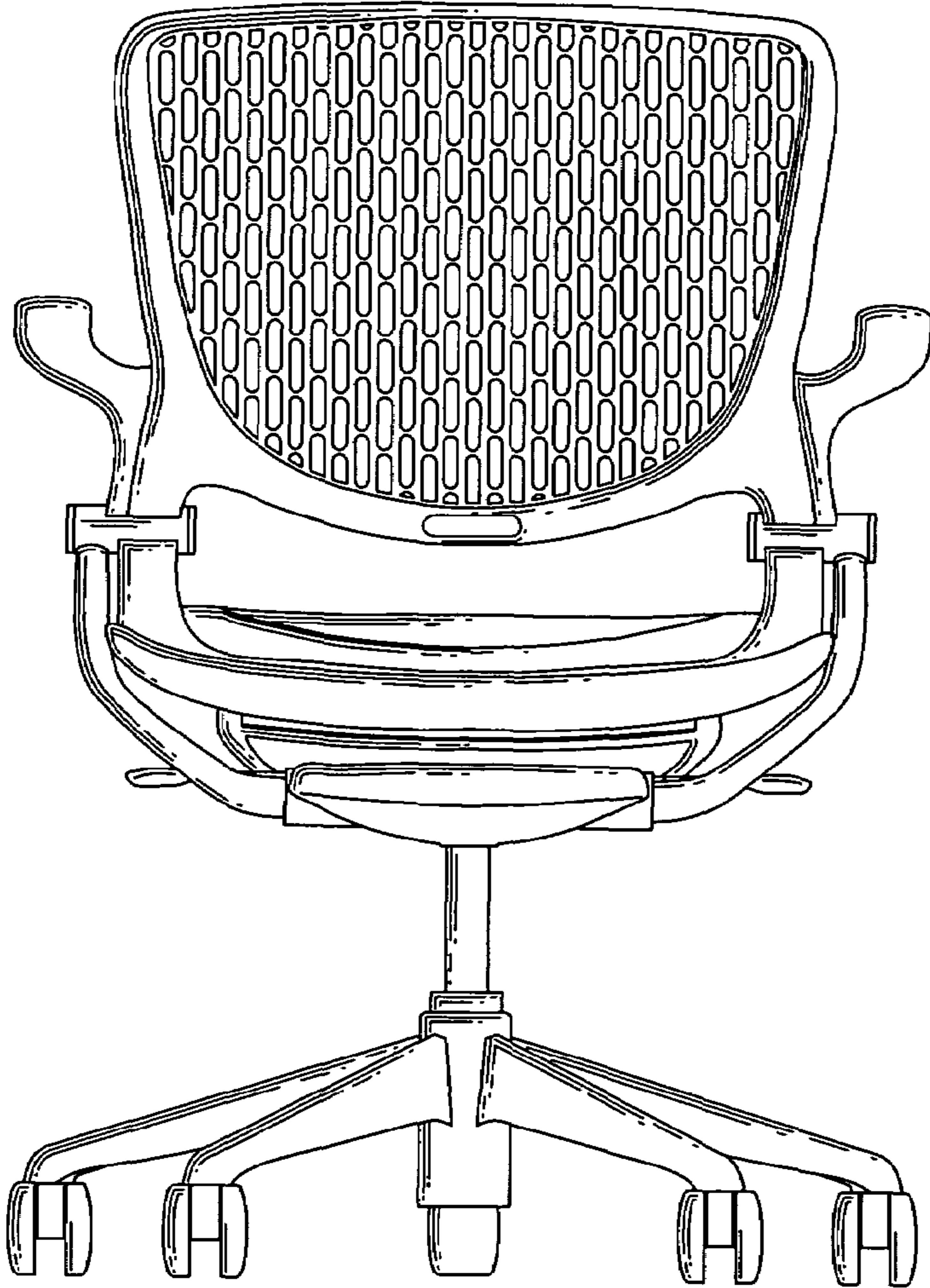




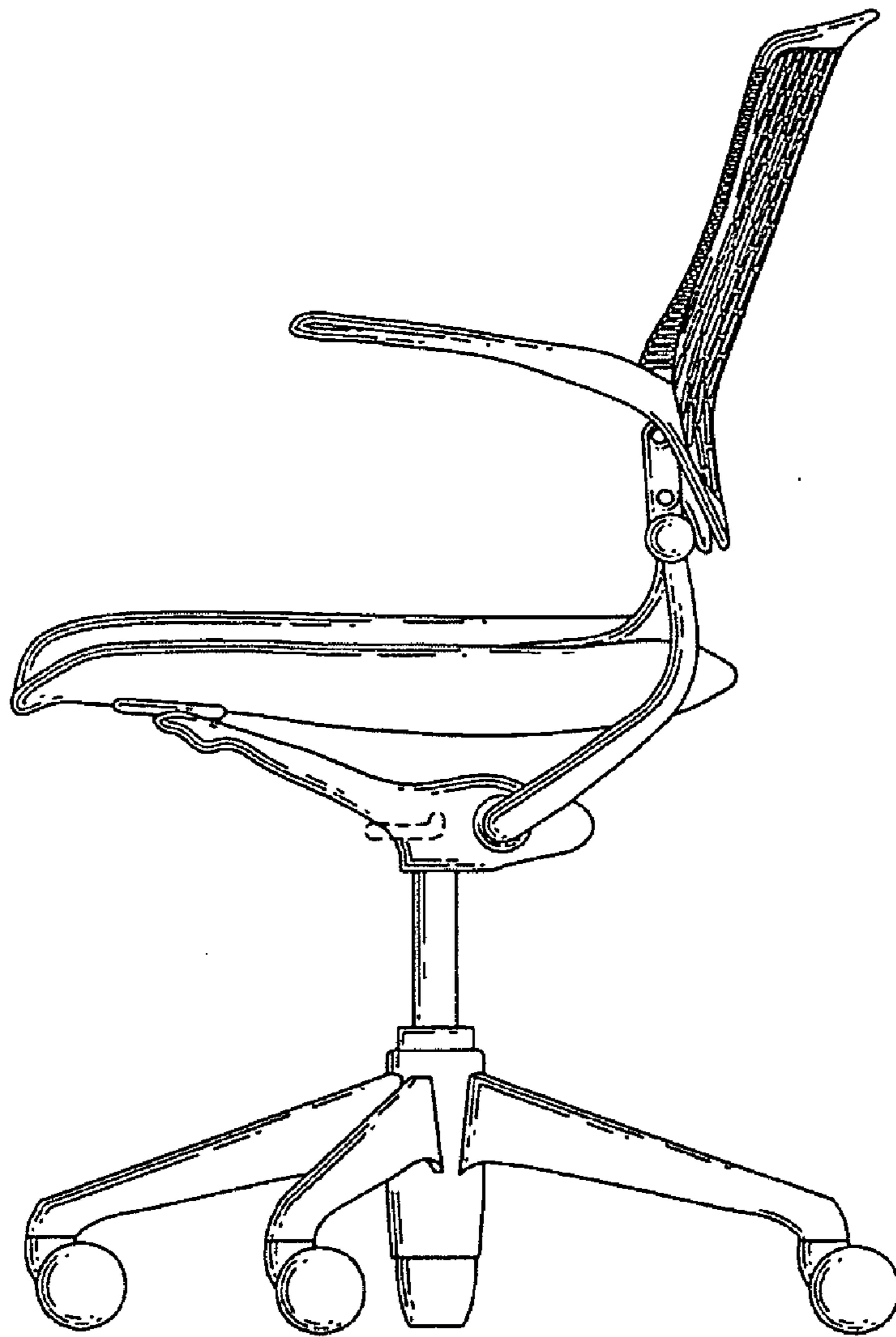
*Fig. 1*



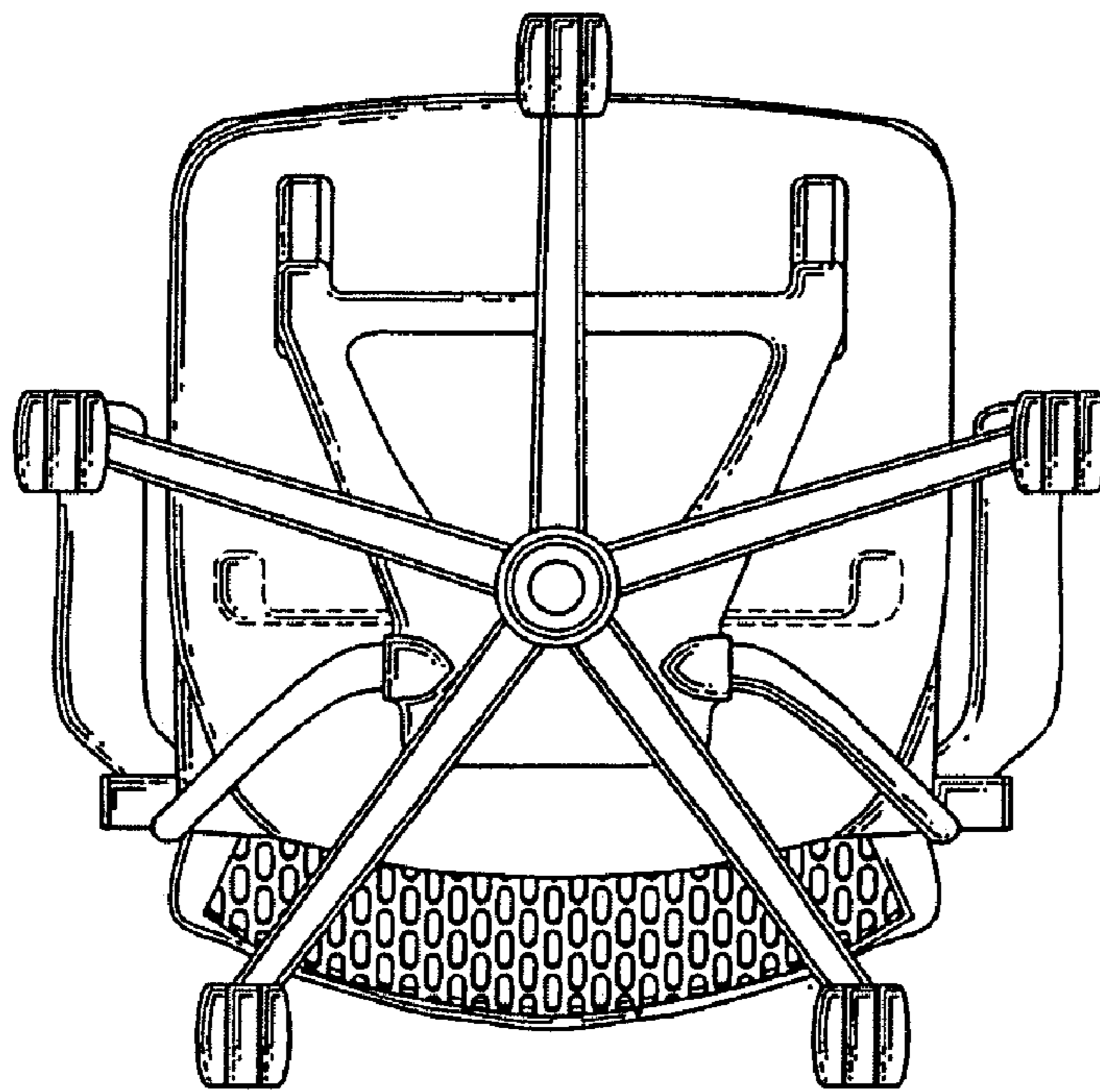
*Fig. 2*



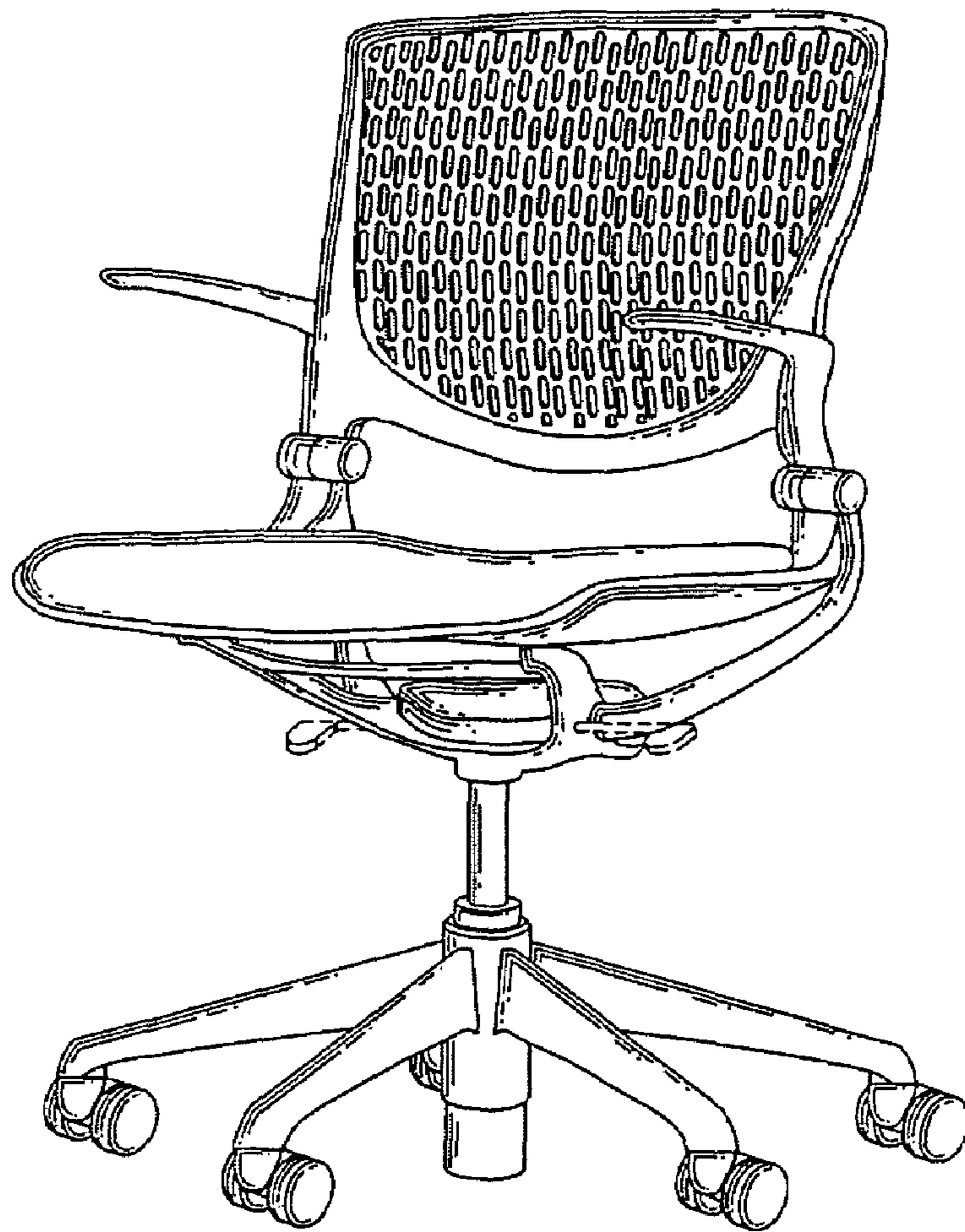
*Fig. 3*



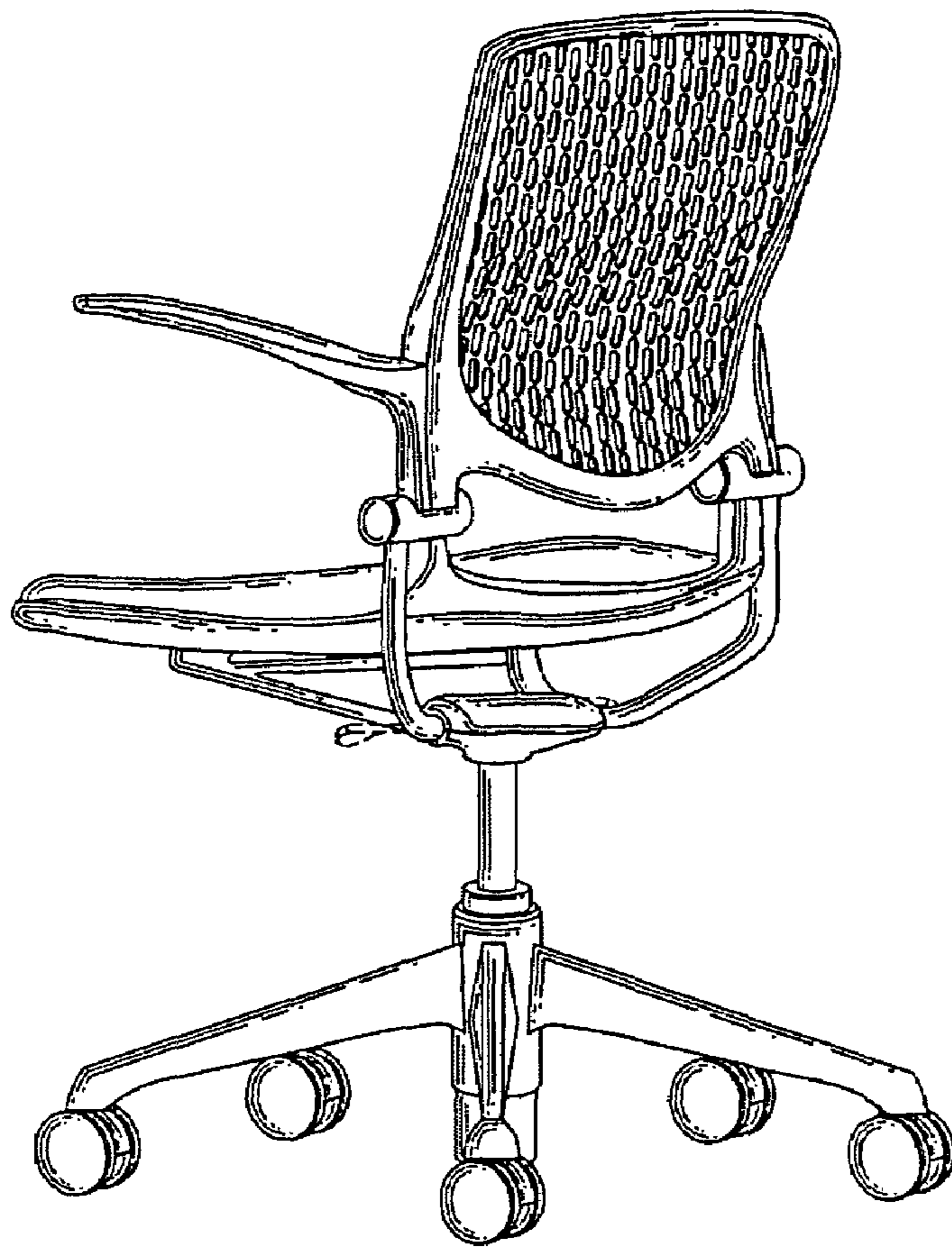
*Fig. 4*



*Fig. 5*



*Fig. 6*



*Fig. 7*