



US00D587914S

(12) **United States Design Patent**
Weber et al.

(10) **Patent No.:** **US D587,914 S**
(45) **Date of Patent:** **** Mar. 10, 2009**

(54) **CHAIR**
(75) Inventors: **Jeffrey A. Weber**, Minneapolis, MN
(US); **Douglas M. VanDeRiet**, Holland,
MI (US)
(73) Assignee: **Herman Miller, Inc.**, Zeeland, MI (US)
(**) Term: **14 Years**
(21) Appl. No.: **29/294,868**
(22) Filed: **Jan. 28, 2008**

3,276,048 A 10/1966 Beckman
3,280,410 A 10/1966 Propst
3,340,548 A 9/1967 Janapol
3,393,012 A 7/1968 Chancellor
3,416,839 A 12/1968 Hyland
3,681,797 A 8/1972 Messner
3,767,261 A 10/1973 Rowland
3,790,150 A 2/1974 Lippert
3,889,302 A 6/1975 Ketterer
3,940,811 A 3/1976 Tomikawa
3,999,234 A 12/1976 Regan
4,033,567 A 7/1977 Lipfert
4,190,914 A 3/1980 Diallo

(Continued)

(51) **LOC (9) Cl.** **06-01**
(52) **U.S. Cl.** **D6/364**
(58) **Field of Classification Search** D6/500-502,
D6/366, 340, 349, 364, 334-335, 356, 365,
D6/367, 368, 374; 297/202, 214, 452.12,
297/452.26, 452.27, 452.28, 452.29, 452.32,
297/452.37, 452.21, 411.2
See application file for complete search history.

FOREIGN PATENT DOCUMENTS

JP 57-50251 9/1955

(Continued)

Primary Examiner—Caron Veynar
Assistant Examiner—Abraham Bahta
(74) *Attorney, Agent, or Firm*—Brinks Hofer Gilson & Lione

(56) **References Cited**

U.S. PATENT DOCUMENTS

336,387 A 2/1886 Child
385,468 A 7/1888 Mayfield
1,982,516 A 11/1934 Holmsted
2,090,376 A 8/1937 Russell
2,549,902 A 4/1951 Hibbard
2,558,171 A 6/1951 Chelsey
2,643,704 A 6/1953 Lauterbach
2,897,879 A 8/1959 Brown
3,059,971 A 10/1962 Becker
3,081,129 A 3/1963 Ridder
3,126,554 A 3/1964 Janapol
3,174,741 A 3/1965 Wolff
3,198,578 A 8/1965 Geoffrey
3,242,512 A 3/1966 Beckman
3,251,077 A 5/1966 Beckman
3,255,470 A 6/1966 Knittel
3,261,037 A 7/1966 Cermak
3,262,137 A 7/1966 Beckman
3,262,138 A 7/1966 Knittel
3,263,247 A 8/1966 Knittel

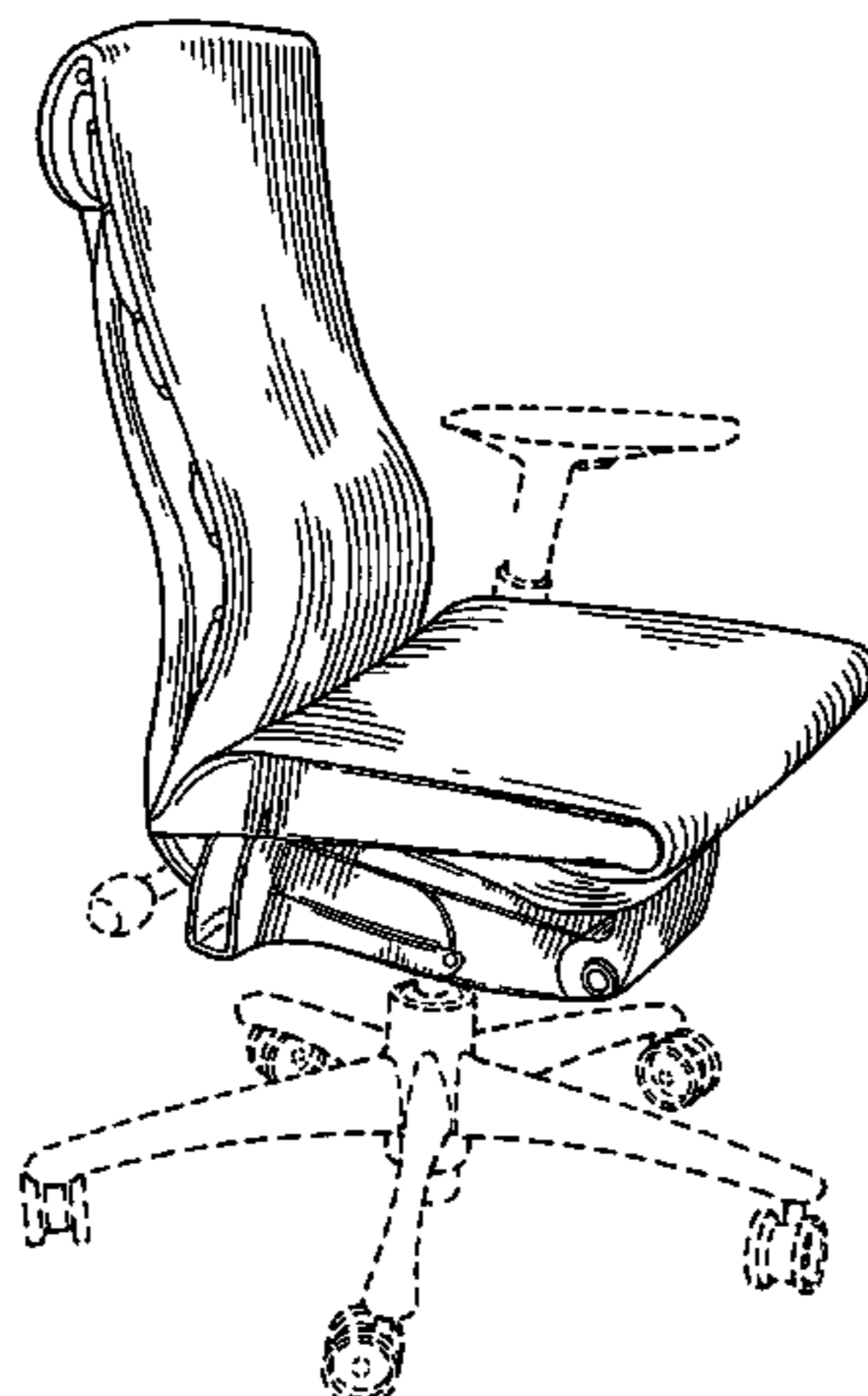
(57) **CLAIM**

The ornamental design for a chair, as shown and described.

DESCRIPTION

FIG. 1 is a perspective view of a chair showing our new design;
FIG. 2 is a front view of the chair shown in FIG. 1;
FIG. 3 is a rear view of the chair shown in FIG. 1;
FIG. 4 is a right side view of the chair shown in FIG. 1;
FIG. 5 is a left side view of the chair shown in FIG. 1;
FIG. 6 is a top view of the chair shown in FIG. 1; and,
FIG. 7 is a bottom view of the chair shown in FIG. 1.
The broken lines showing armrests, a base and/or controls in the Figures are for environmental purposes only and do not form any part of the claimed design.

1 Claim, 7 Drawing Sheets



US D587,914 S

U.S. PATENT DOCUMENTS

4,283,864	A	8/1981	Lipfert	
4,367,897	A	1/1983	Cousins	
4,383,342	A	5/1983	Forster	
4,415,147	A	11/1983	Biscoe	
4,509,510	A	4/1985	Hook	
4,521,053	A	6/1985	De Boer	
4,559,656	A	12/1985	Foster	
4,605,582	A	8/1986	Sias	
4,626,028	A	12/1986	Hatsutta	
4,641,884	A	2/1987	Miyashita	
4,644,593	A	2/1987	O'Brien	
4,673,605	A	6/1987	Sias	
4,686,724	A	8/1987	Bedford	
4,732,423	A	3/1988	Condon	
4,744,351	A	5/1988	Grunde	
4,765,679	A	8/1988	Lanuzzi	
4,809,374	A	3/1989	Saviez	
4,848,837	A	7/1989	Volkle	
4,890,235	A	12/1989	Reger	
4,927,210	A	5/1990	Fourrey	
4,972,351	A	11/1990	Reger	
4,981,325	A	1/1991	Zacharkow	
D320,507	S *	10/1991	Shields D6/366
5,102,196	A	4/1992	Kaneda	
5,105,488	A	4/1992	Hutchinson	
5,153,956	A	10/1992	Nold	
5,163,196	A	11/1992	Graebe	
5,165,125	A	11/1992	Callaway	
5,228,747	A	7/1993	Greene	
5,239,715	A	8/1993	Wagner	
5,288,130	A	2/1994	Foster	
5,316,375	A	5/1994	Breen	
5,328,245	A	7/1994	Marks	
5,370,443	A	12/1994	Maruyama	
5,426,799	A	6/1995	Ottiger	
5,452,488	A	9/1995	Reinhardt	
5,502,855	A	4/1996	Graebe	
5,533,220	A	7/1996	Sebag	
5,536,067	A	7/1996	Pinto	
5,558,314	A	9/1996	Weinstein	
5,558,398	A	9/1996	Santos	
5,588,165	A	12/1996	Fromme	
5,597,203	A	1/1997	Hubbard	
5,615,869	A	4/1997	Phillips	
5,624,161	A	4/1997	Sorimachi	
5,628,079	A	5/1997	Kizemchuk	
5,632,473	A	5/1997	Queiroz	
5,704,689	A	1/1998	Kim	
5,720,471	A	2/1998	Constantinescu	
5,730,688	A	3/1998	Prusick	
5,785,303	A	7/1998	Kutschi	

5,820,573	A	10/1998	Ramos	
5,944,382	A	8/1999	Ambasz	
5,975,641	A	11/1999	Delesie	
6,052,852	A	4/2000	Huang	
6,089,664	A	7/2000	Yoshida	
6,101,651	A	8/2000	Tang	
6,113,082	A	9/2000	Fujino	
6,134,729	A	10/2000	Quintile	
6,146,317	A	11/2000	Prusick	
D436,768	S *	1/2001	Jenkins et al. D6/500
6,170,808	B1	1/2001	Kutschi	
6,217,121	B1	4/2001	Mollet	
D445,579	S *	7/2001	Olson D6/366
6,343,394	B1	2/2002	Gandolfi	
6,353,953	B1	3/2002	Tanaka	
D457,760	S *	5/2002	De Lucchi et al. D6/500
6,406,009	B1	6/2002	Constantinescu	
6,425,153	B1	7/2002	Reswick	
D461,347	S *	8/2002	Tsai D6/500
6,427,990	B1	8/2002	Hartmann	
6,477,727	B1	11/2002	Fromme	
6,598,251	B2	7/2003	Szelagowski	
6,625,153	B1	9/2003	Liu	
D481,231	S *	10/2003	True D6/500
D482,218	S *	11/2003	Lin D6/500
6,663,178	B2	12/2003	Fourrey	
6,669,294	B2	12/2003	Kinoshita	
6,739,664	B2	5/2004	Kinoshita	
D495,167	S *	8/2004	Chu D6/500
D496,535	S *	9/2004	Goodworth D6/366
6,796,611	B2	9/2004	Bock	
6,811,144	B2	11/2004	Denman	
D507,712	S *	7/2005	Grove D6/500
D543,736	S *	6/2007	Shields D6/500
D561,499	S *	2/2008	Schweikarth et al. D6/500
D577,933	S *	10/2008	Haaksma D6/500
2003/0151287	A1	8/2003	Ueda	
2004/0183350	A1	9/2004	Schmitz	
2004/0245839	A1	12/2004	Bodnar	
2004/0245840	A1	12/2004	Tubergen	
2004/0245841	A1	12/2004	Peterson	
2005/0116526	A1	6/2005	VanDeRiet	

FOREIGN PATENT DOCUMENTS

JP	63-187947	12/1988
JP	2-257910	10/1990
JP	6-49432	6/1994
JP	6-28036	8/1994
JP	6-277126	10/1994
JP	7-29873	7/1995
JP	10-179314	7/1998

* cited by examiner

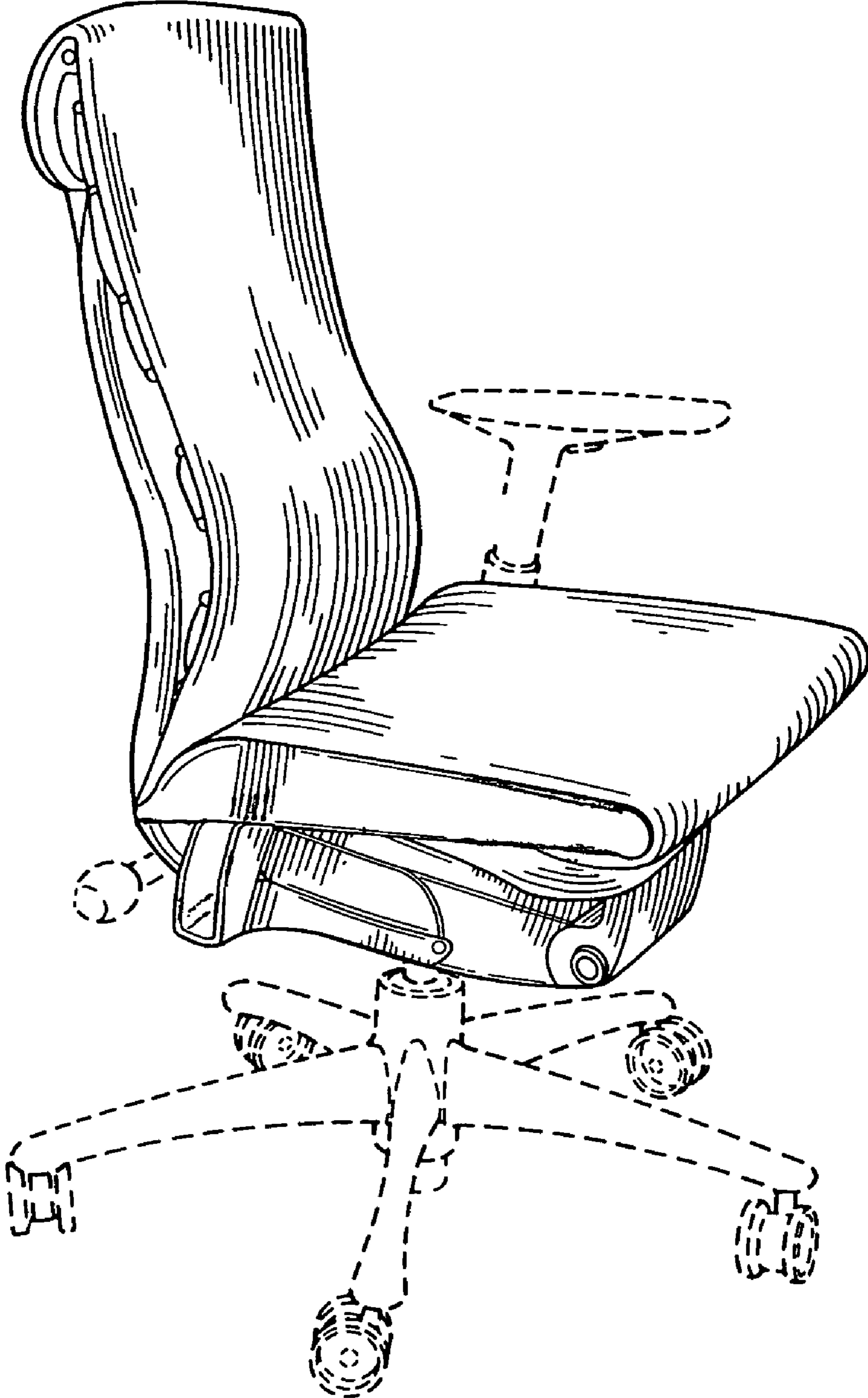


Fig. 1

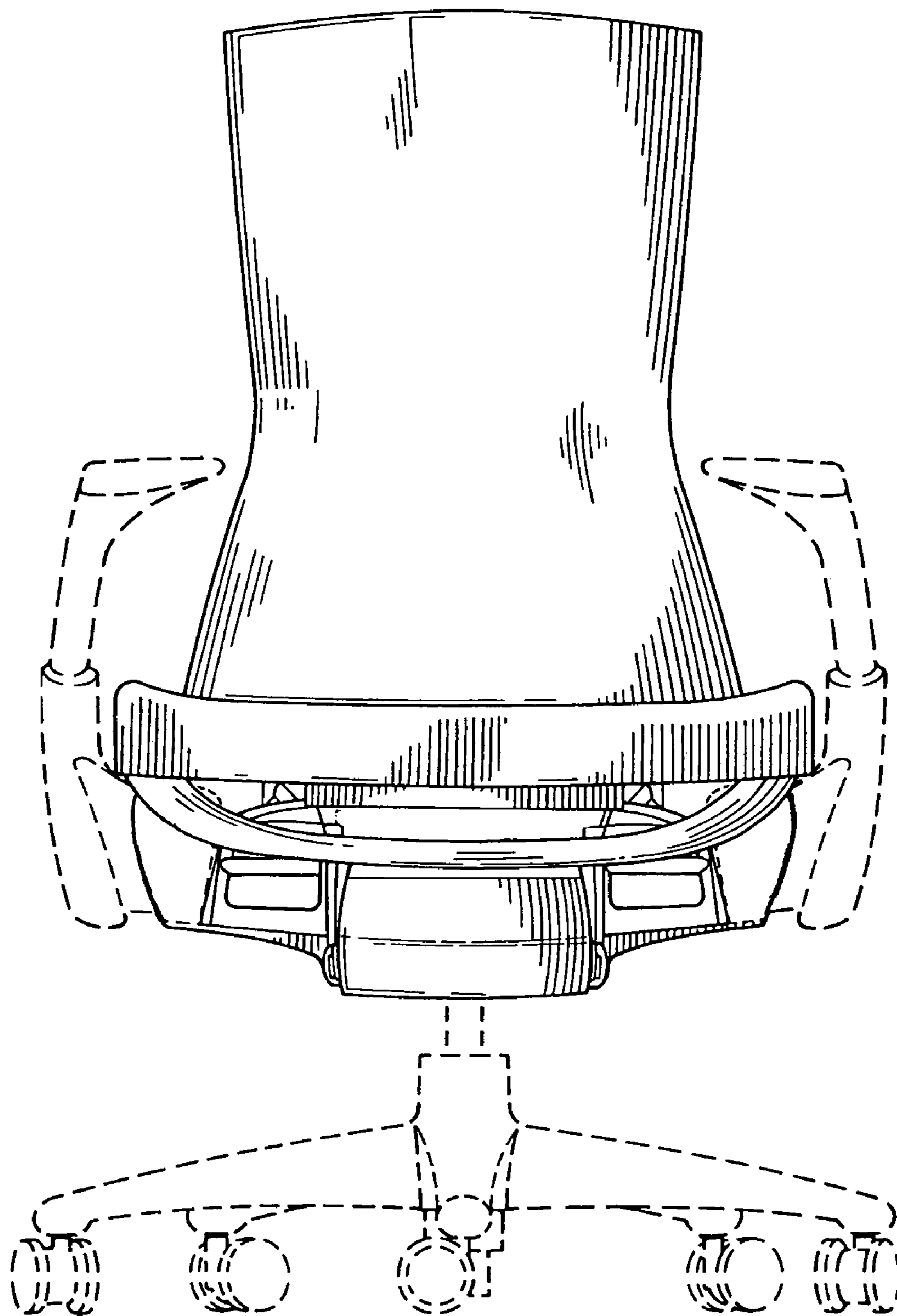


Fig. 2

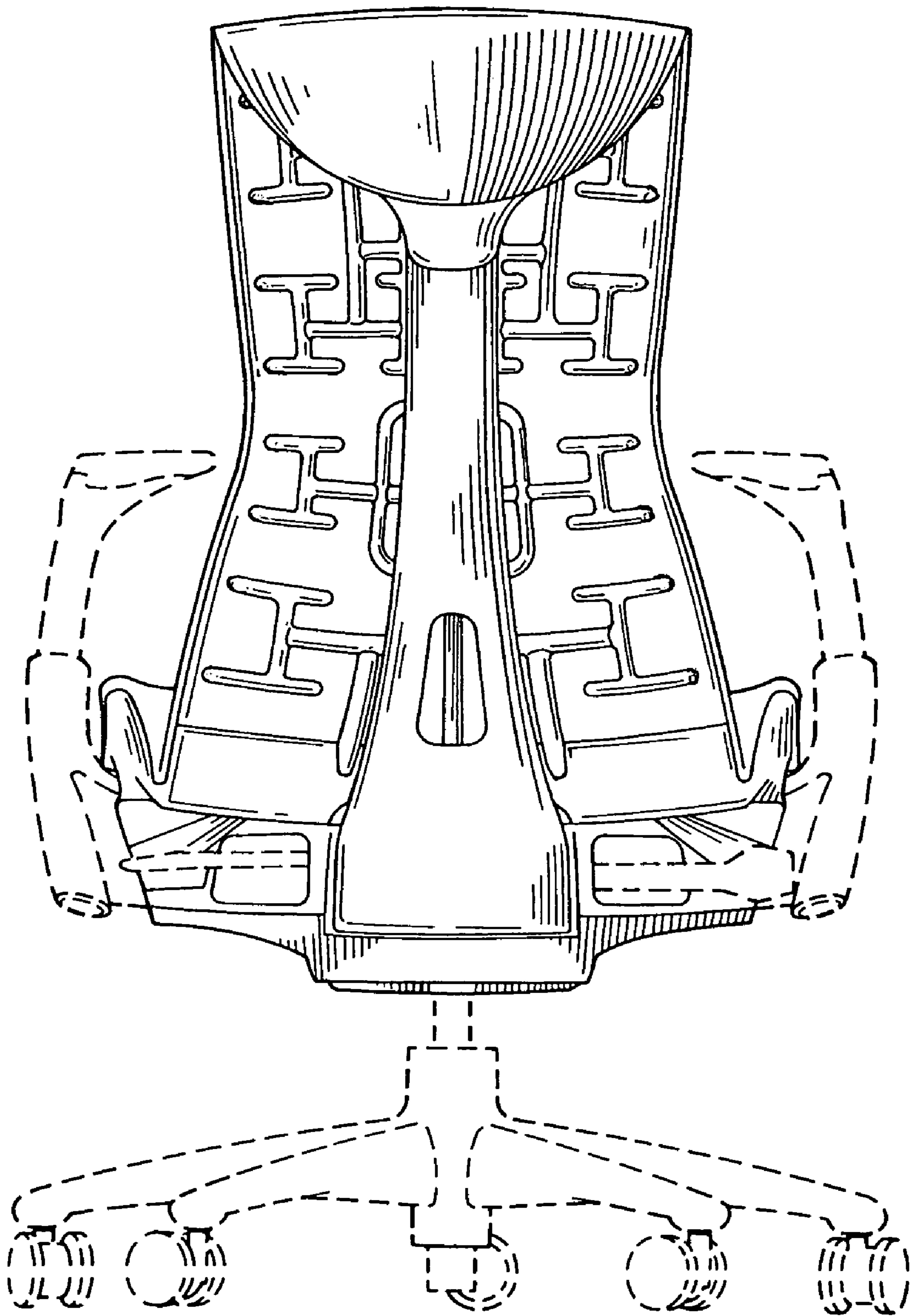


Fig. 3

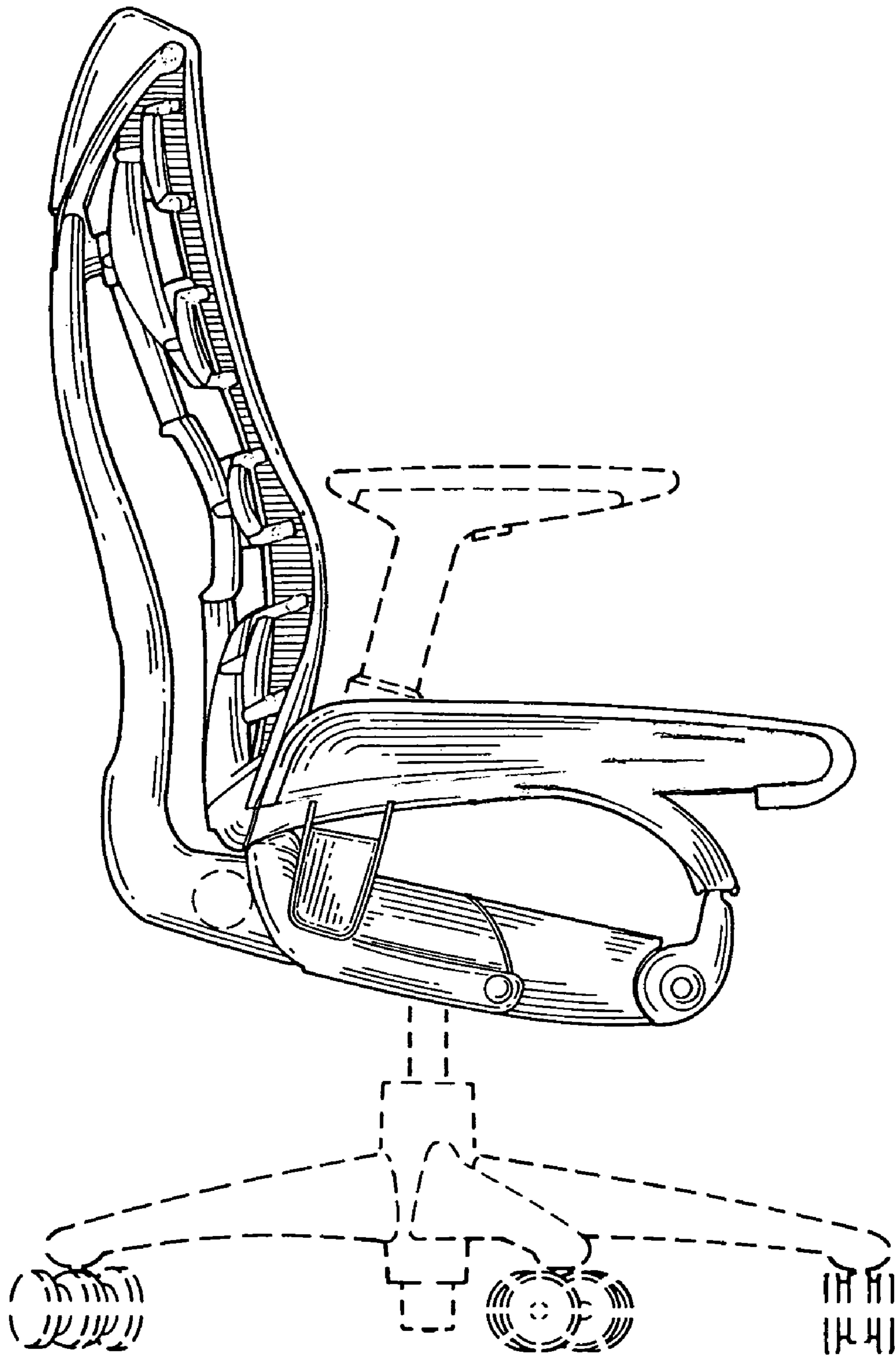


Fig. 4

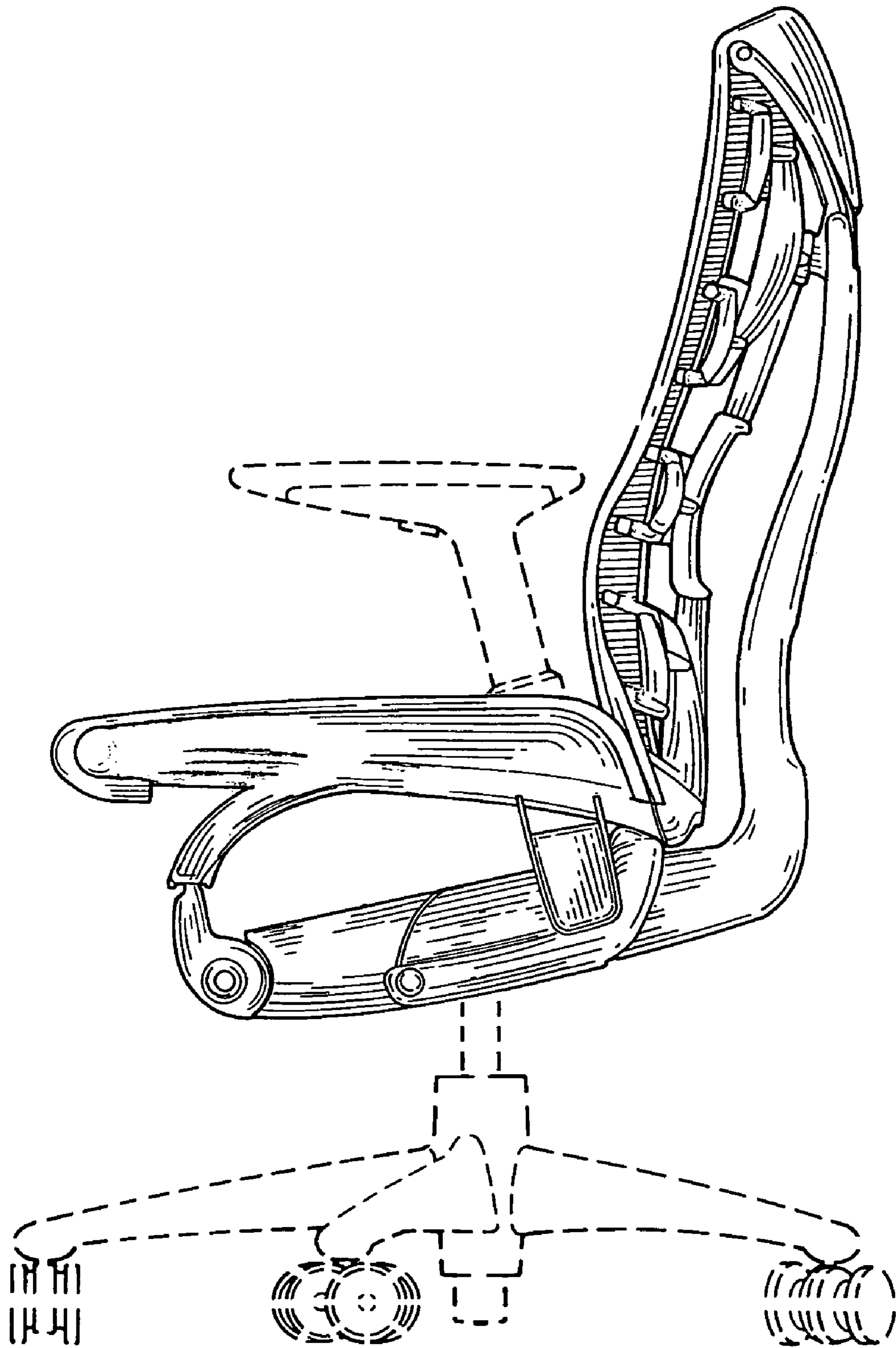


Fig. 5

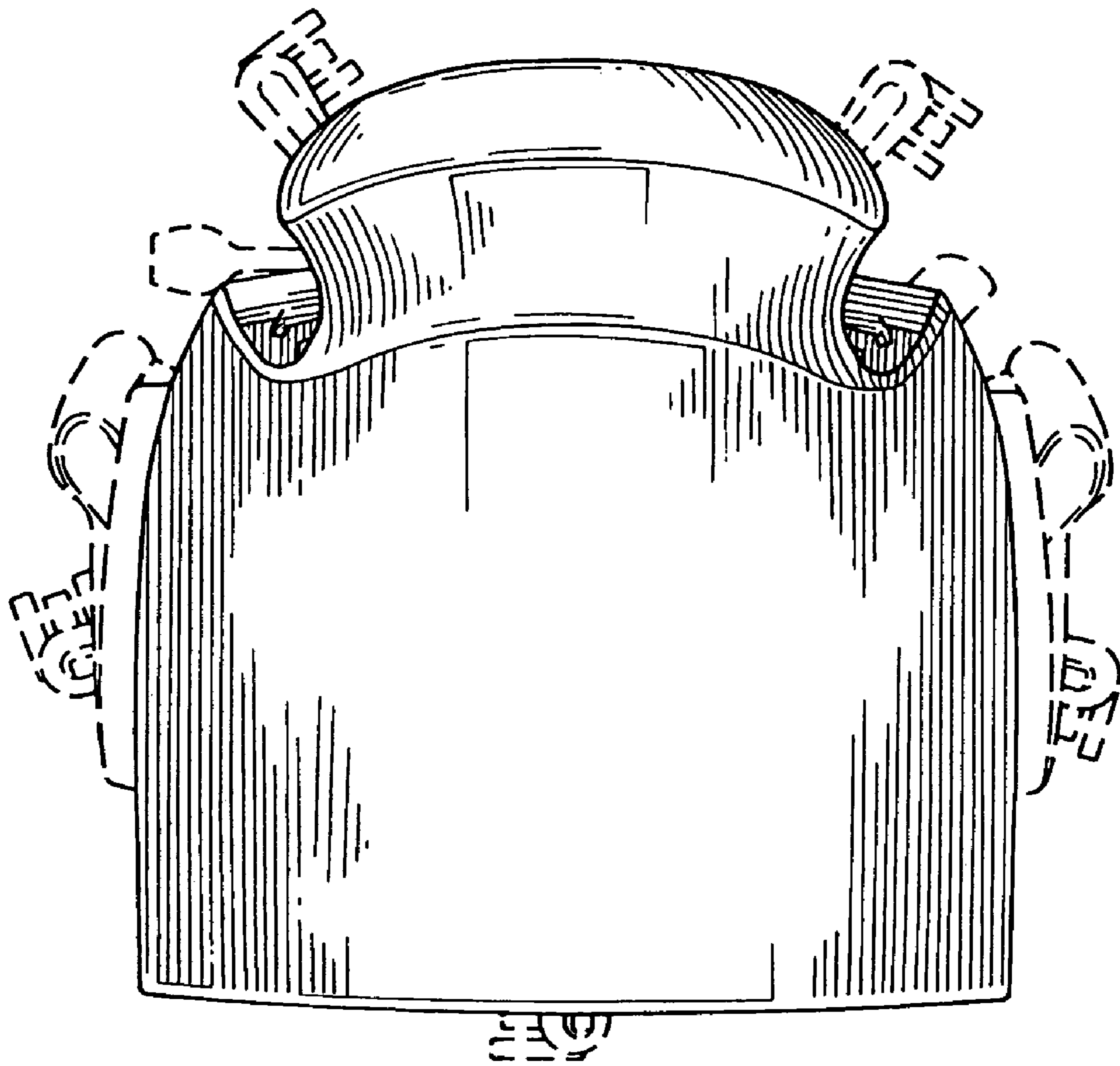


Fig. 6

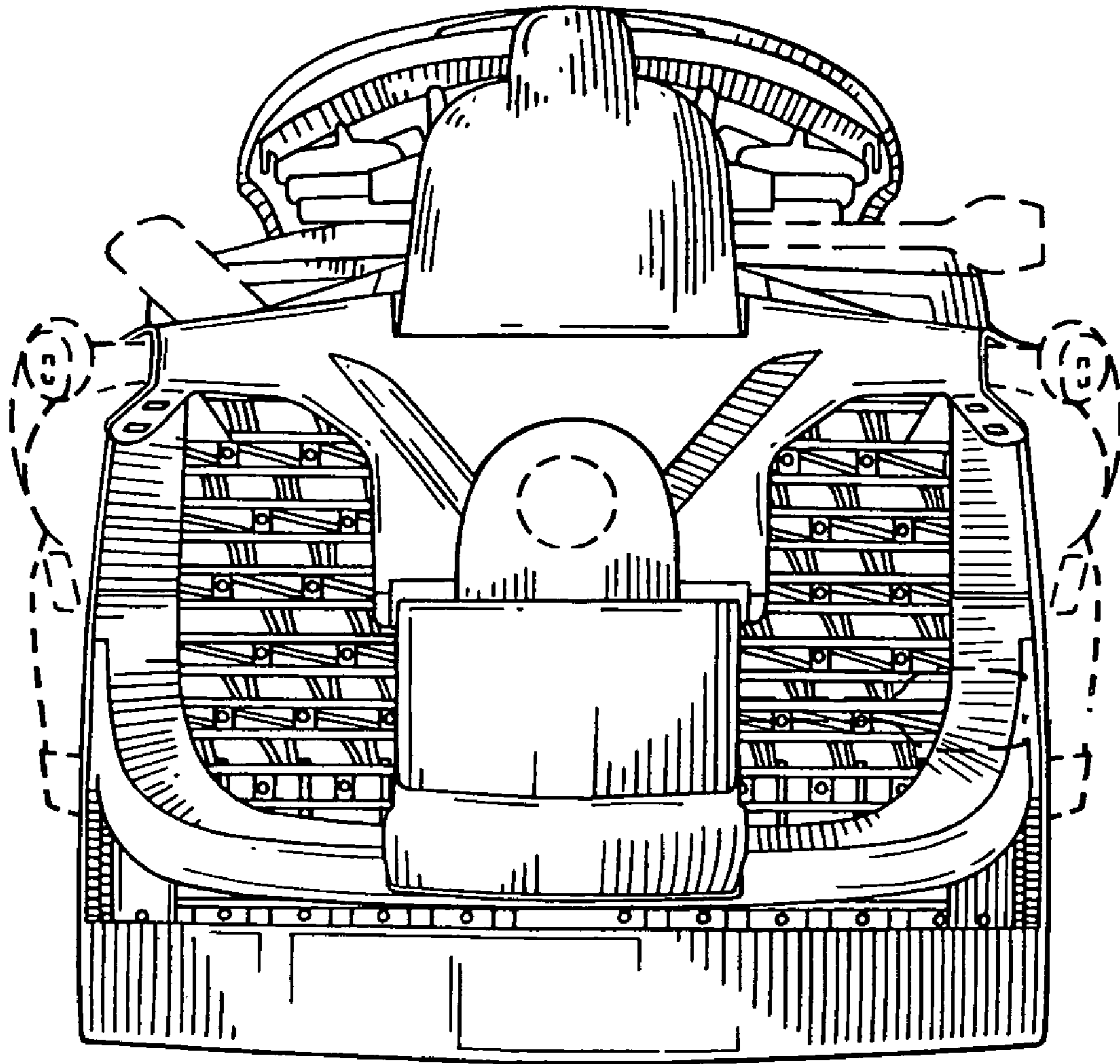


Fig. 7