



US00D587913S

(12) **United States Design Patent**
Hanson, Jr. et al.

(10) **Patent No.:** **US D587,913 S**
(45) **Date of Patent:** **** Mar. 10, 2009**

(54) **GOLF CAR SEAT**

(75) Inventors: **Donald S. Hanson, Jr.**, Evans, GA (US);
Richard Krall, Augusta, GA (US);
Bradley J. Hanson, North Augusta, SC
(US)

(73) Assignee: **Textron Inc.**, Providence, RI (US)

(**) Term: **14 Years**

(21) Appl. No.: **29/283,662**

(22) Filed: **Aug. 21, 2007**

Related U.S. Application Data

(62) Division of application No. 29/247,156, filed on Jun. 2, 2006, now Pat. No. Des. 548,991.

(51) **LOC (9) Cl.** **06-01**

(52) **U.S. Cl.** **D6/356**

(58) **Field of Classification Search** D6/356,
D6/381, 367, 374, 375, 379, 334-336, 500-502;
297/452.12, 452.21, 452.35, 452.24, 452.29,
297/452.26, 183.1, 183.7, 464; D12/1, 14,
D12/16; 280/DIG. 5; 180/233, 908
See application file for complete search history.

(56) **References Cited**

U.S. PATENT DOCUMENTS

D99,866 S 6/1936 Hoffmann
D236,098 S * 7/1975 Bedel D12/16
D271,008 S 10/1983 Saporito
D320,580 S 10/1991 Kim et al.
D326,831 S 6/1992 Lanius et al.
D369,762 S 5/1996 Molzon et al.
D373,099 S 8/1996 Molzon et al.

D395,023 S * 6/1998 Hikida D12/16
D433,651 S 11/2000 Matsumura et al.
6,186,584 B1 * 2/2001 Samuelson et al. 296/213
6,464,291 B2 * 10/2002 Hynds et al. 296/213
D498,704 S * 11/2004 Bonner et al. D12/16
D513,132 S 12/2005 Yamazaki et al.
D514,981 S * 2/2006 Andrews et al. D12/16
D541,699 S * 5/2007 Andrews et al. D12/16
D571,689 S * 6/2008 Andrews et al. D12/16

FOREIGN PATENT DOCUMENTS

WO 2004/067360 A1 8/2004

* cited by examiner

Primary Examiner—Caron Veynar

Assistant Examiner—Abraham Bahta

(74) *Attorney, Agent, or Firm*—Harness, Dickey & Pierce,
P.L.C.

(57) **CLAIM**

The ornamental design for a golf car seat, as shown and described.

DESCRIPTION

FIG. 1 is a front perspective view of a golf car seat showing our new design;

FIG. 2 is a front plan view thereof;

FIG. 3 is a rear view thereof;

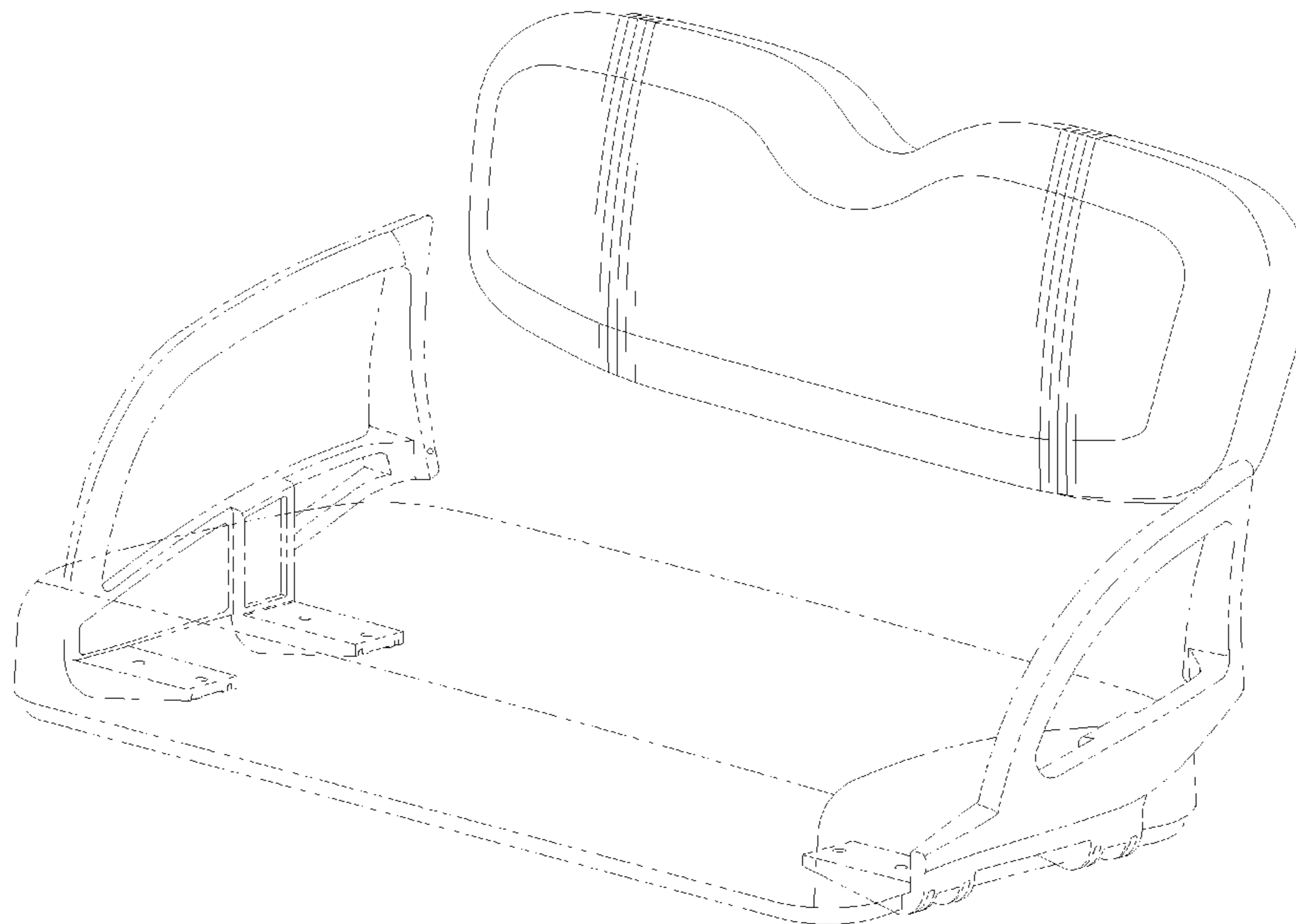
FIG. 4 is a right side view thereof;

FIG. 5 is a left side view thereof; and,

FIG. 6 is a top view thereof.

The lines shown in phantom are for illustrative purposes only and do not form part of the invention.

1 Claim, 3 Drawing Sheets



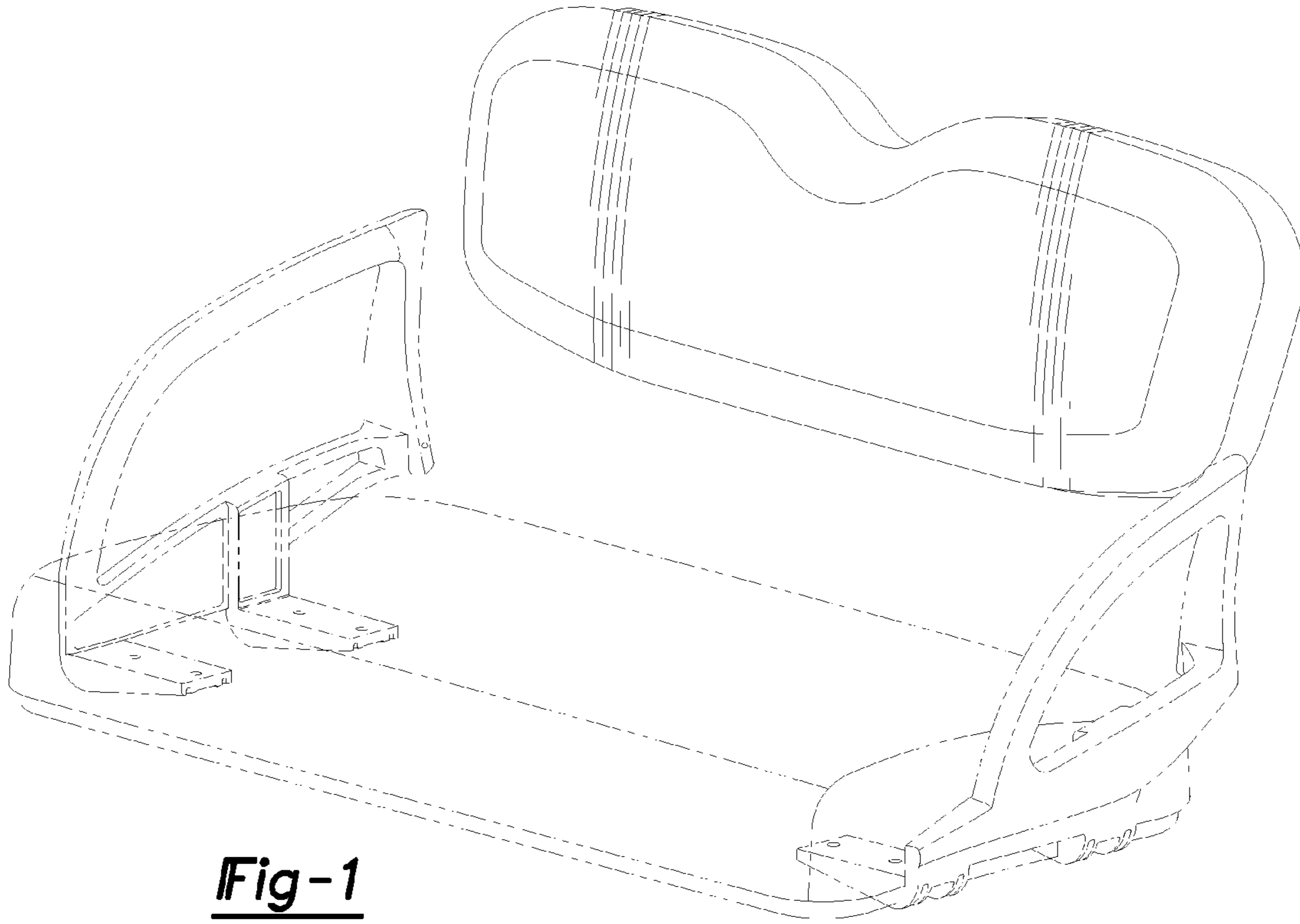


Fig-1

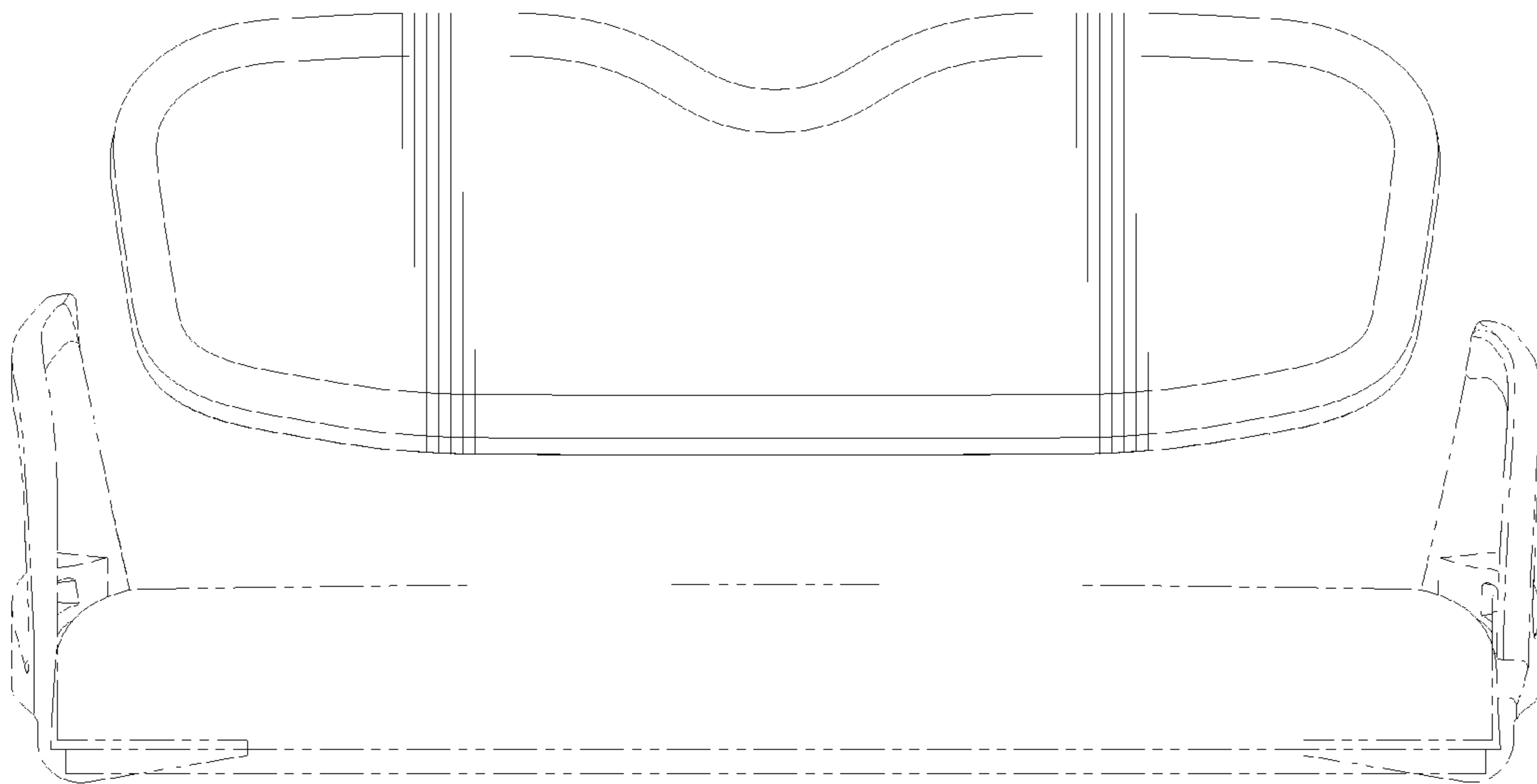


Fig-2

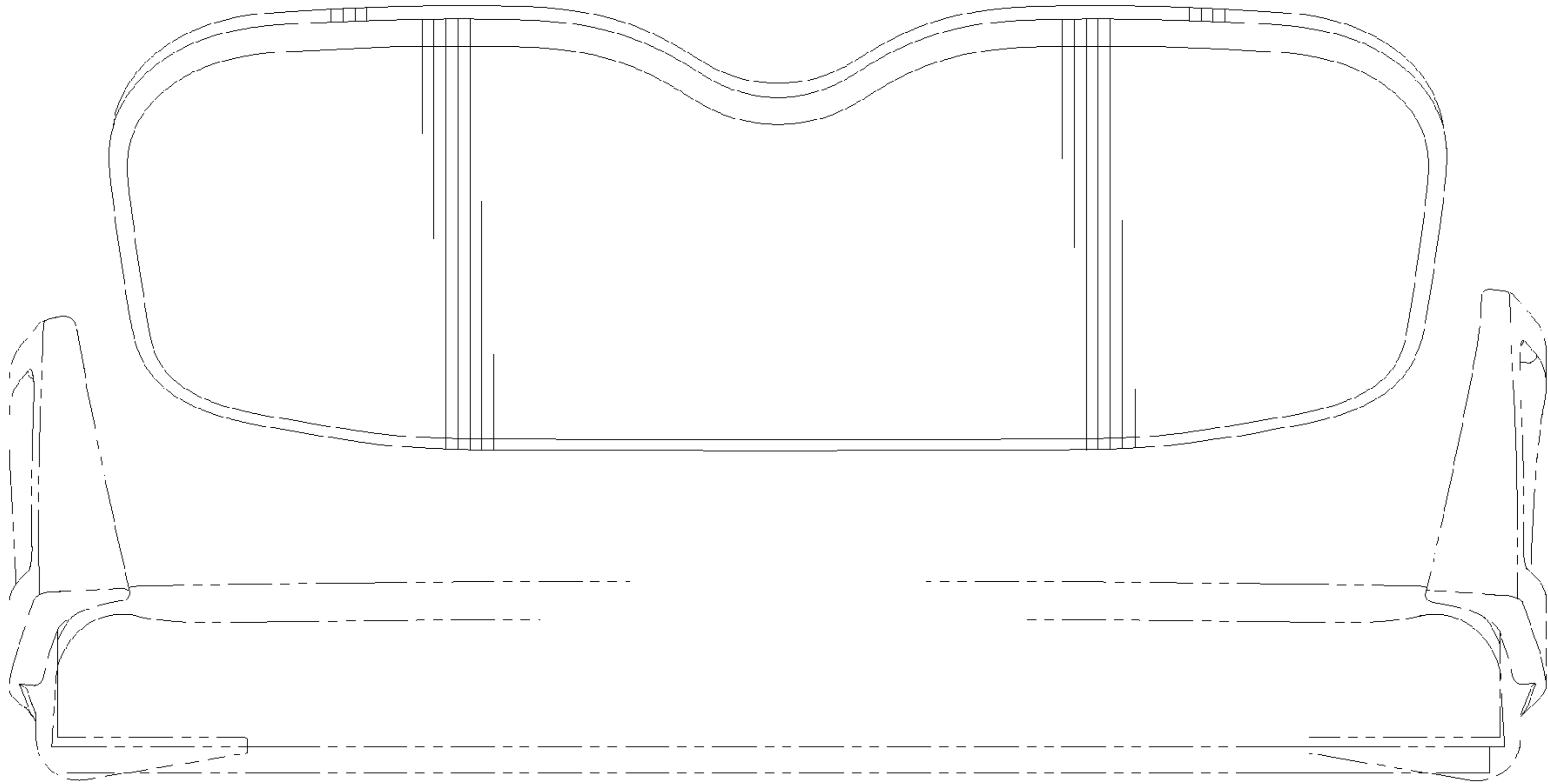


Fig-3

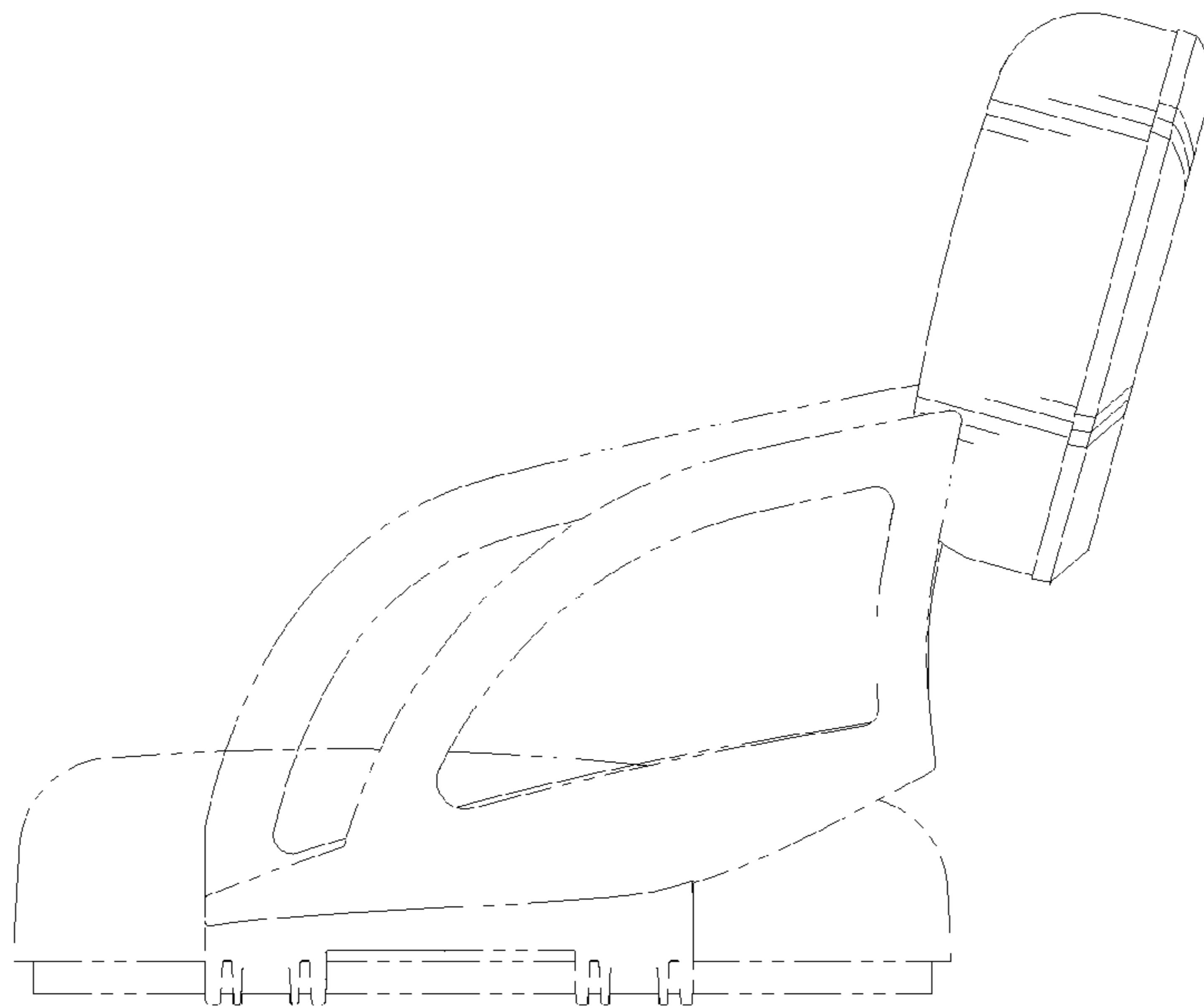


Fig-4

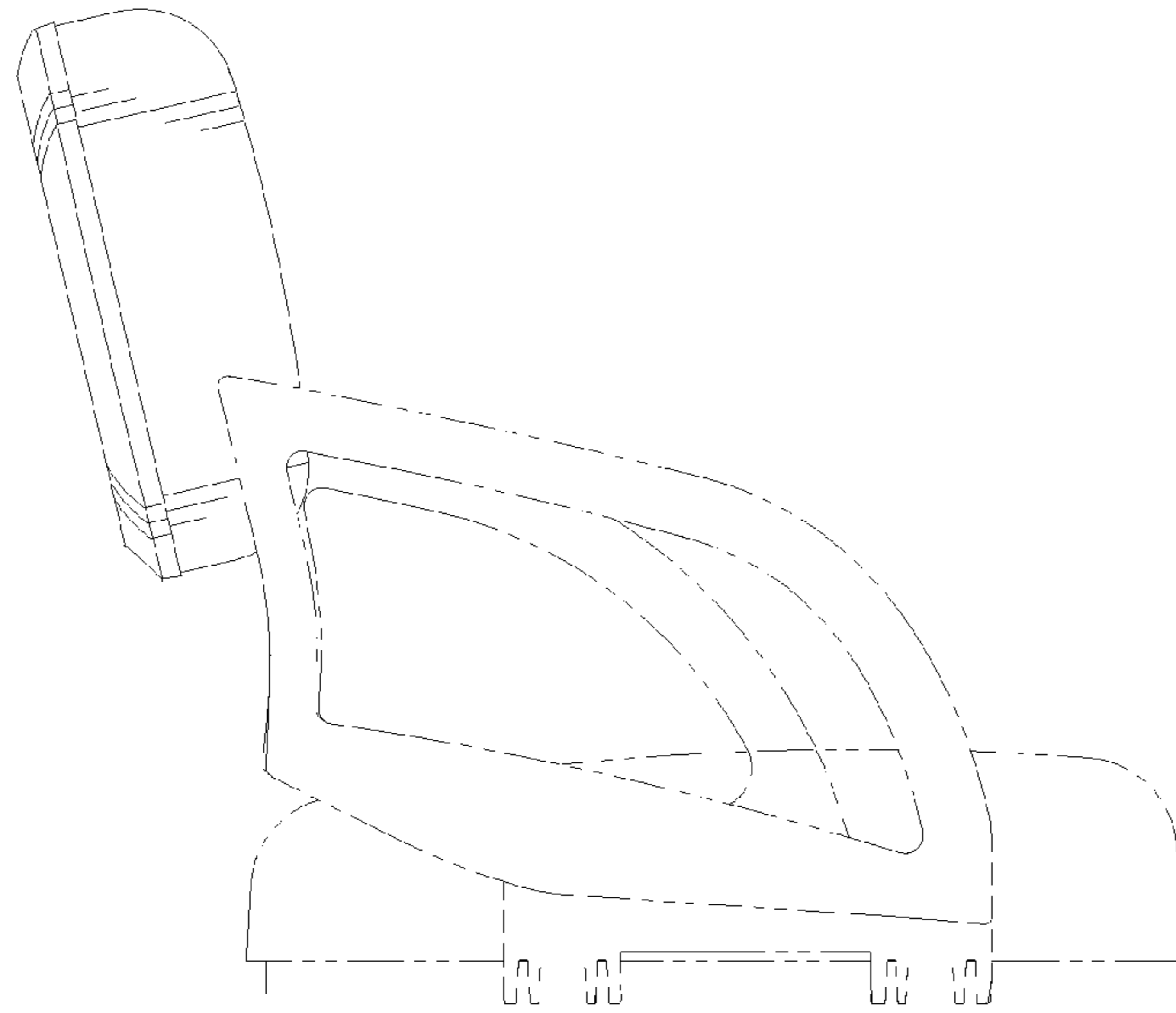


Fig-5

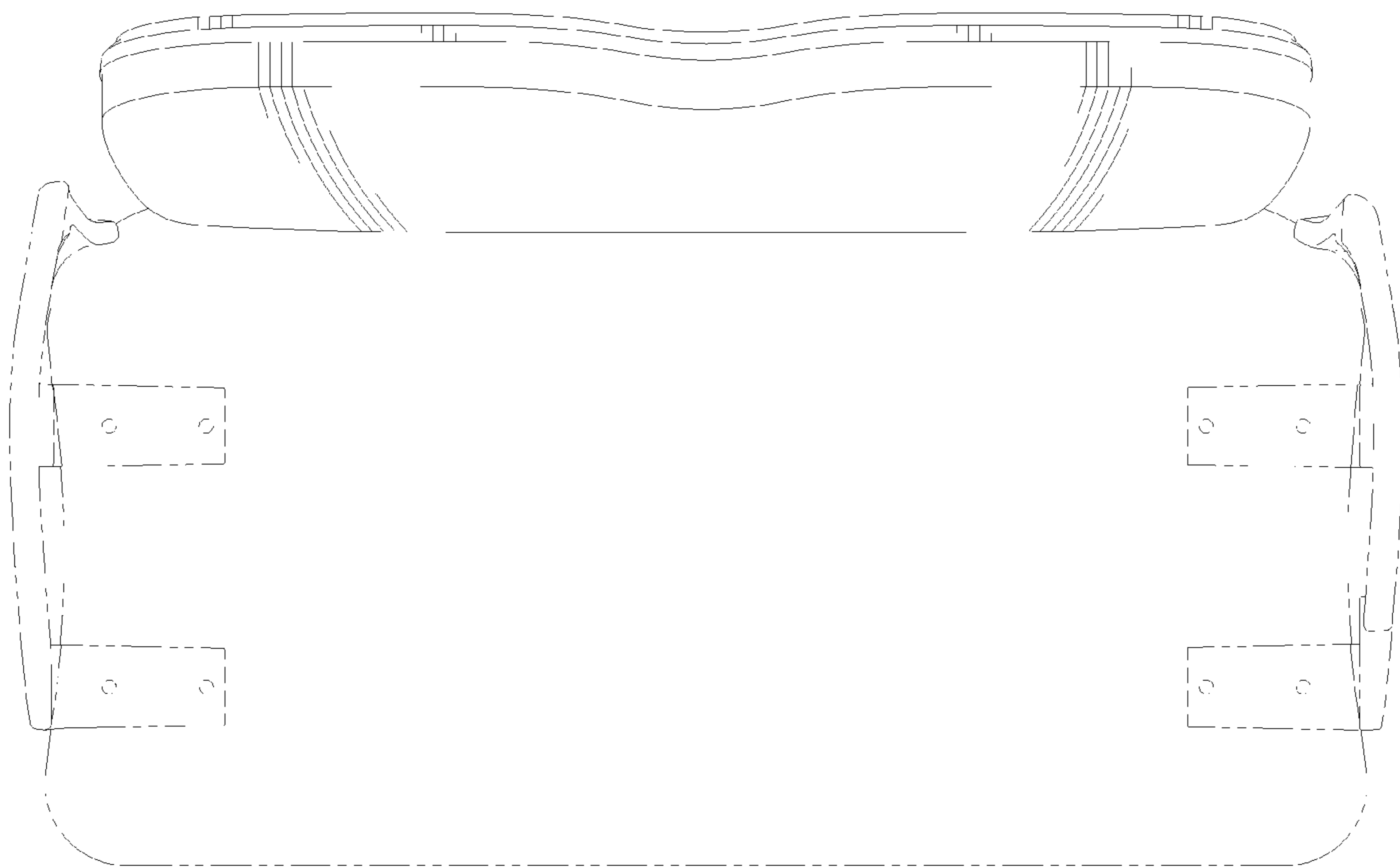


Fig-6