



US00D587912S

(12) **United States Design Patent**  
**Moss**

(10) **Patent No.:** **US D587,912 S**  
(45) **Date of Patent:** **\*\* Mar. 10, 2009**

(54) **STOOL**

D406,480 S \* 3/1999 Lin ..... D6/486  
D497,488 S \* 10/2004 Lifshitz ..... D6/349  
D554,874 S \* 11/2007 Jourdan ..... D6/349

(75) Inventor: **Georgina Lucy Moss**, Bury (GB)

(73) Assignee: **Senator International Limited** (GB)

\* cited by examiner

(\*\*) Term: **14 Years**

*Primary Examiner*—Sandra Snapp  
(74) *Attorney, Agent, or Firm*—Salter & Michaelson

(21) Appl. No.: **29/286,684**

(57) **CLAIM**

(22) Filed: **May 16, 2007**

The ornamental design for a stool, as shown.

(51) **LOC (9) Cl.** ..... **06-01**

(52) **U.S. Cl.** ..... **D6/349**

(58) **Field of Classification Search** ..... D6/349–353,  
D6/355, 363, 364, 500–502, 511; 297/16.1,  
297/118, 175, 195.1, 423.1, 423.14, 423.39,  
297/423.41, 440.1, 440.12, 461, 462; 108/150  
See application file for complete search history.

**DESCRIPTION**

FIG. 1 is a front elevational view showing a stool having my new design;

FIG. 2 is a rear elevational view showing the stool;

FIG. 3 is a top plan view of the stool;

FIG. 4 is a bottom plan view of the stool;

FIG. 5 is a left side elevational view of the stool;

FIG. 6 is a right side elevational view of the stool;

FIG. 7 is a right side perspective view of the stool; and,

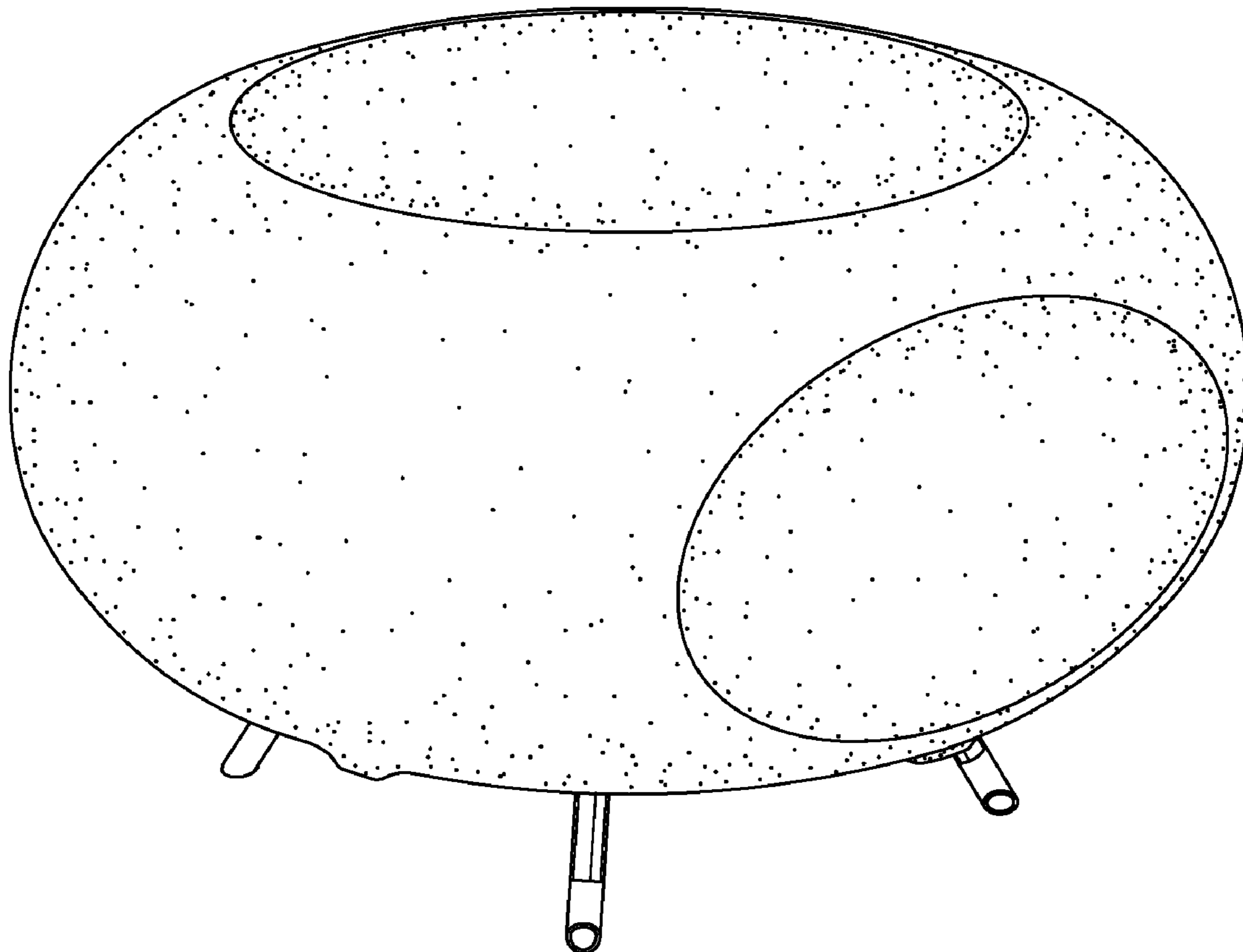
FIG. 8 is a left side perspective view of the stool.

(56) **References Cited**

U.S. PATENT DOCUMENTS

D172,633 S \* 7/1954 Niemann ..... D6/349  
3,536,359 A \* 10/1970 Amos ..... 297/462  
D277,906 S \* 3/1985 Platner ..... D6/352  
D336,166 S \* 6/1993 Hollington ..... D6/349  
D384,211 S \* 9/1997 Wied et al. .... D6/351

**1 Claim, 8 Drawing Sheets**



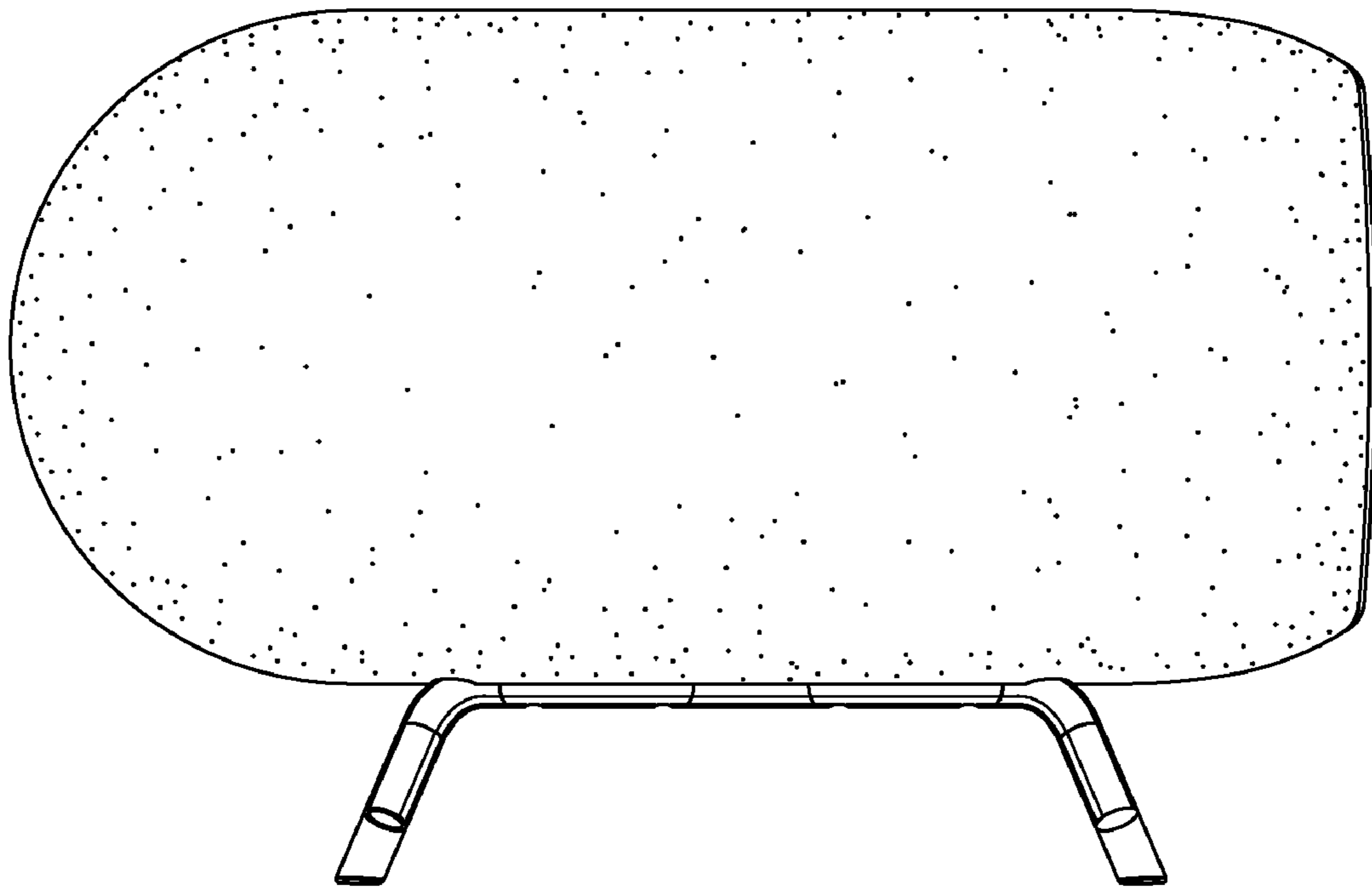


FIG. 1

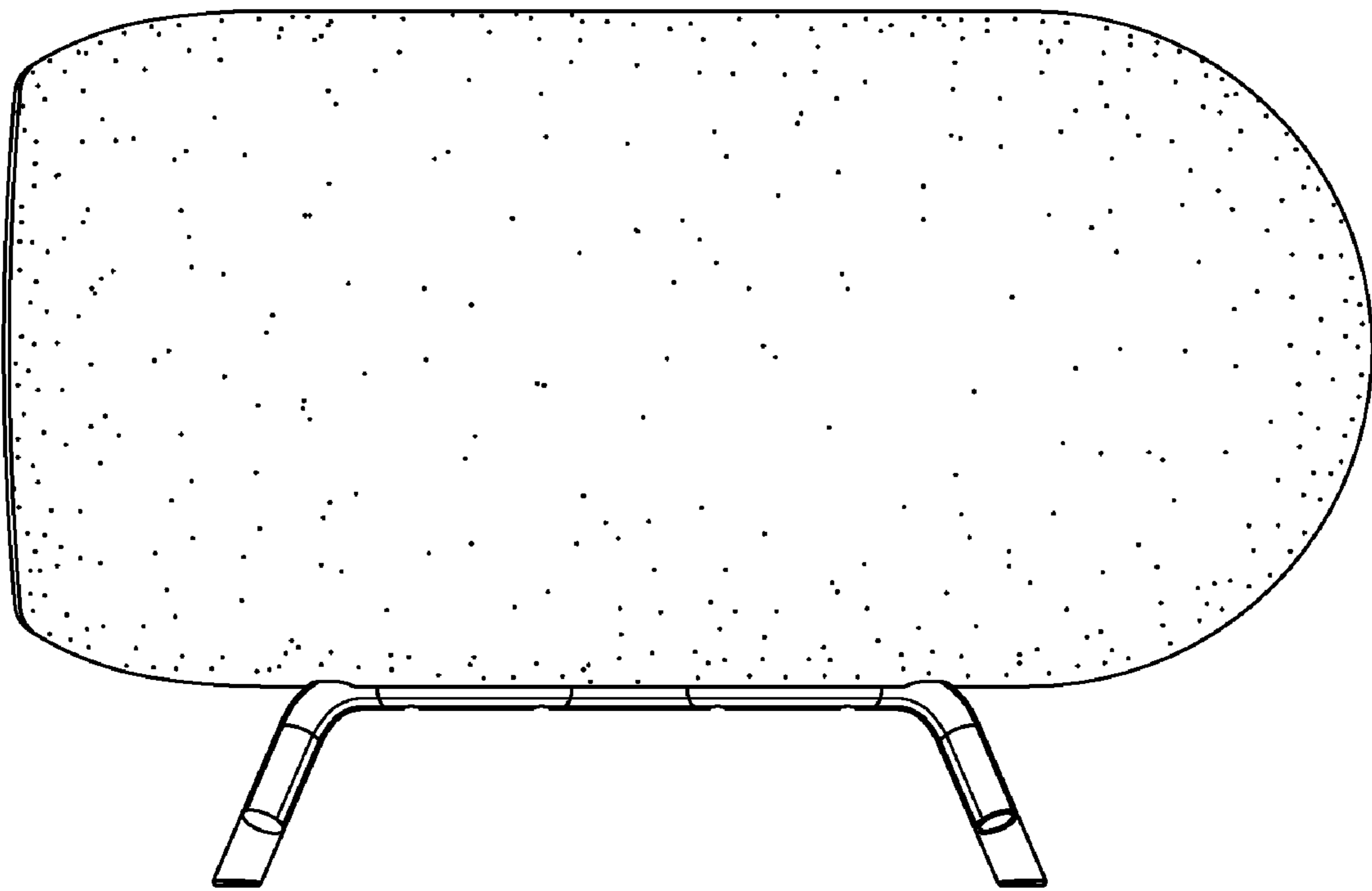


FIG. 2

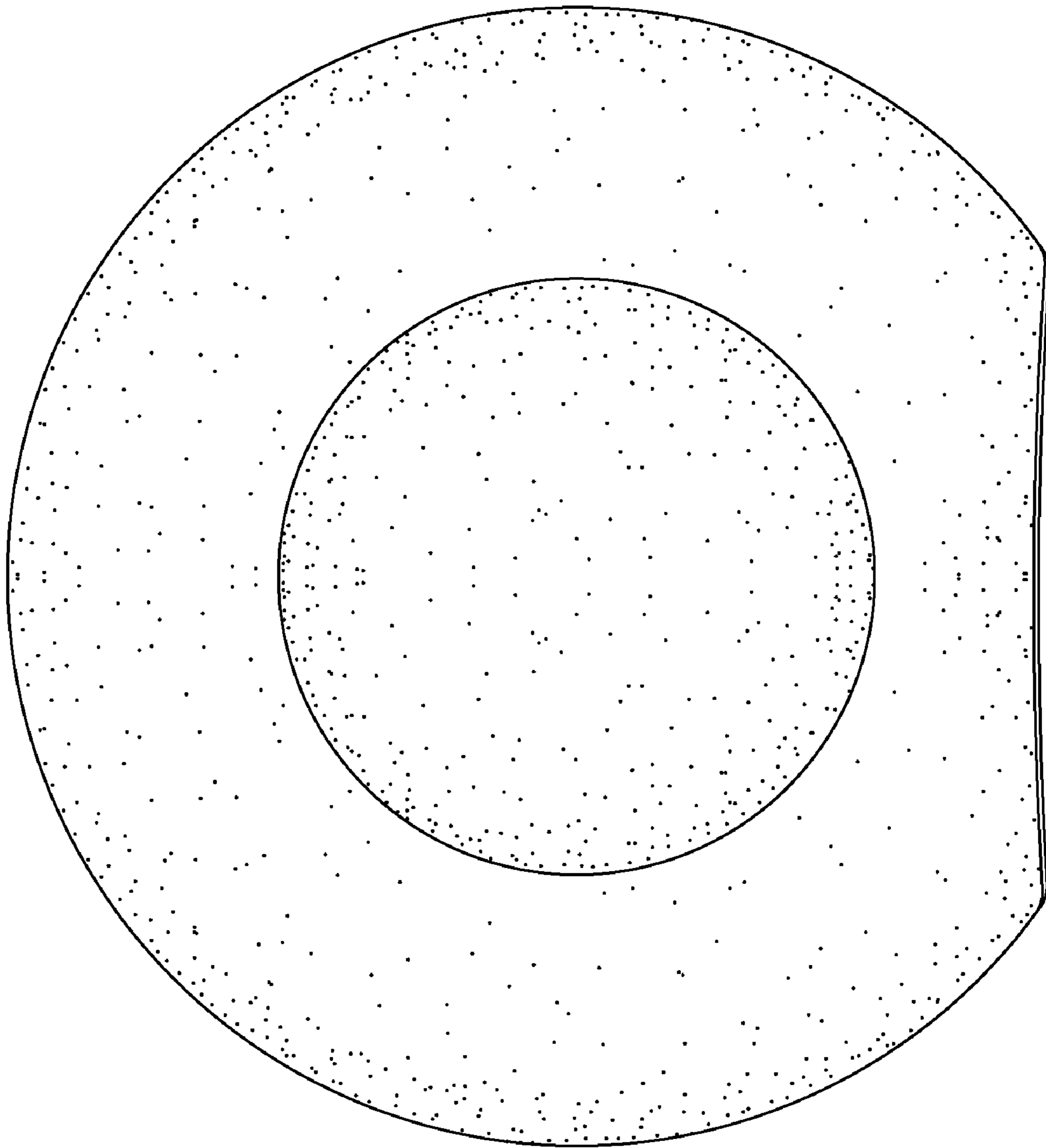


FIG. 3

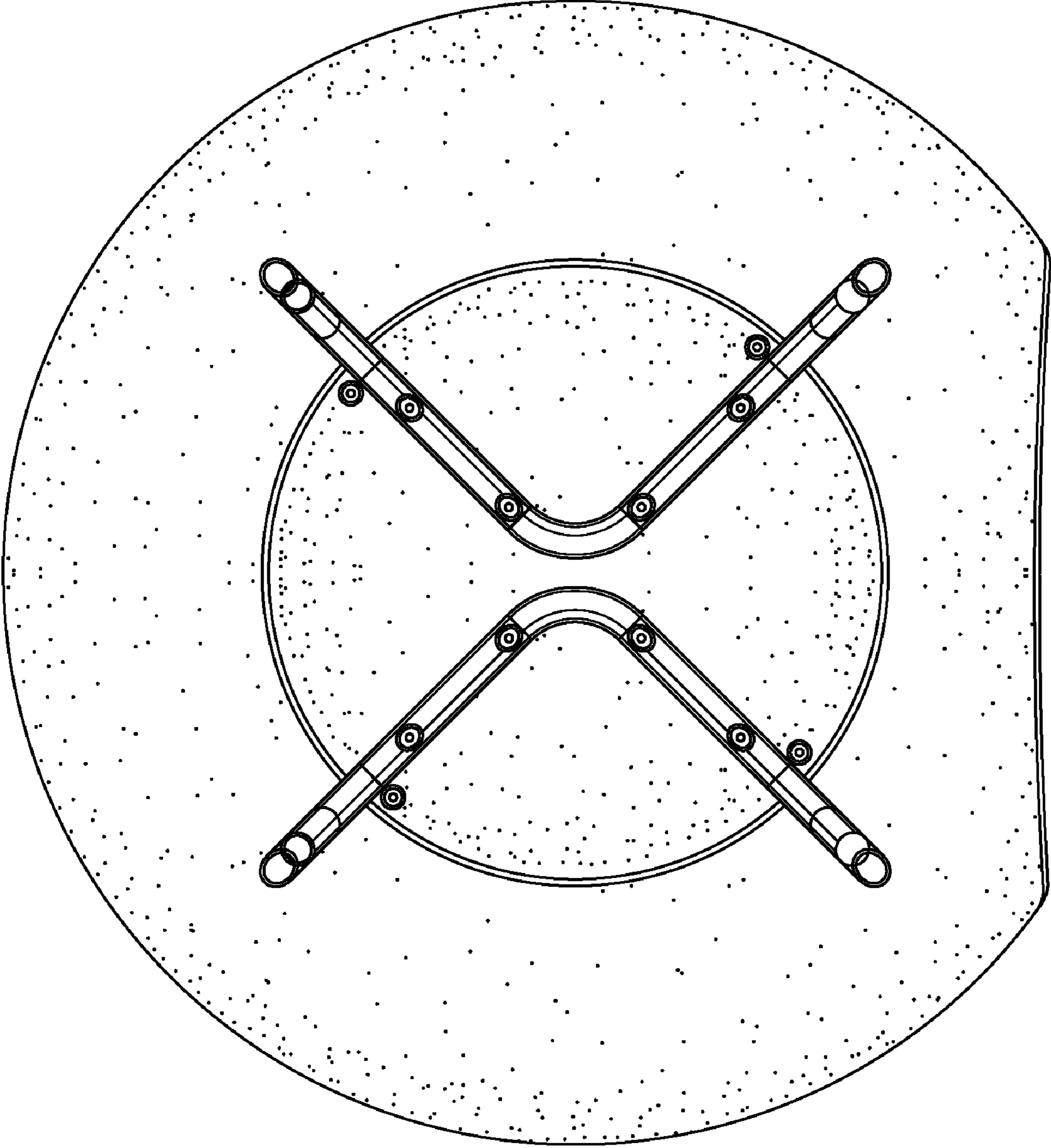


FIG. 4

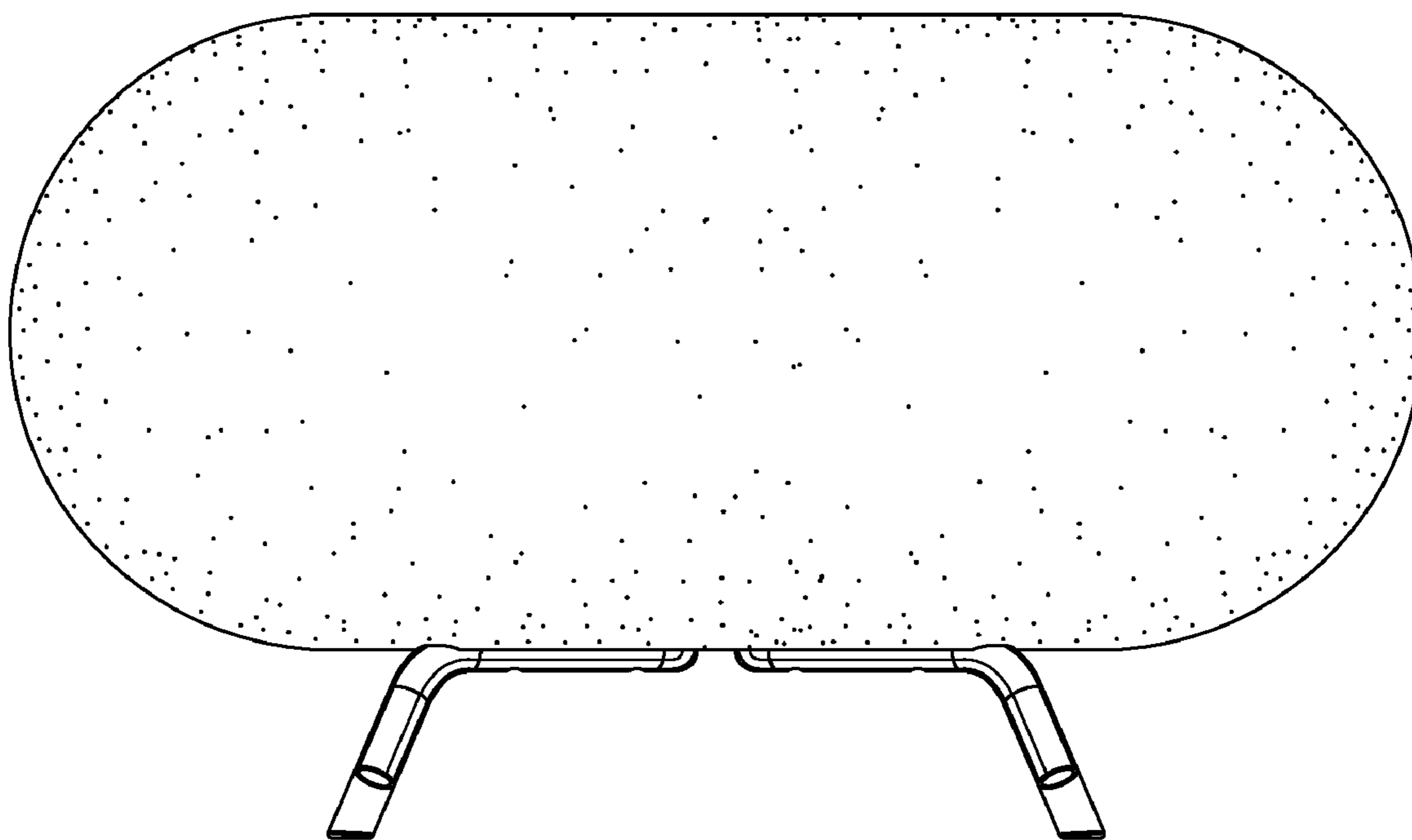


FIG. 5

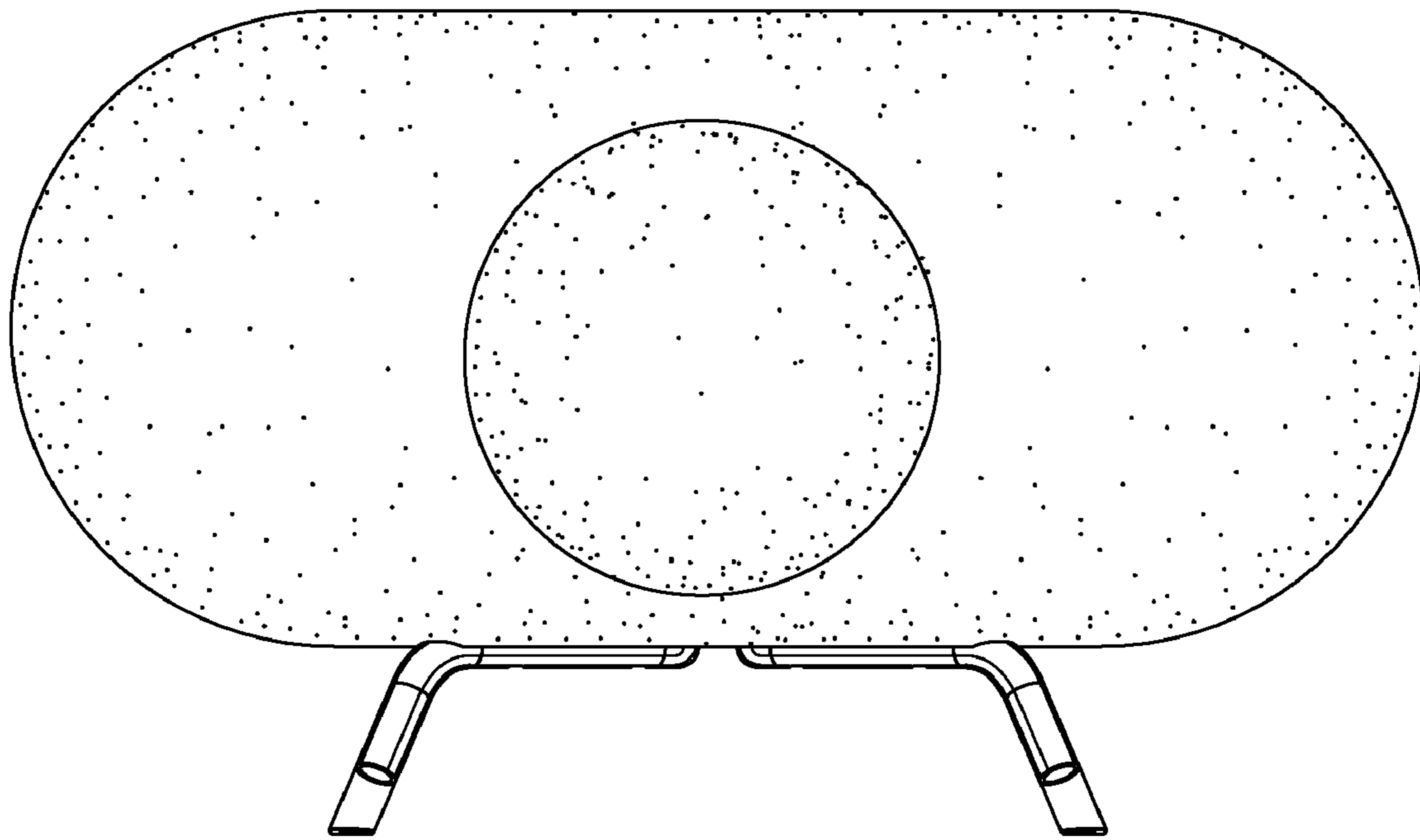


FIG. 6

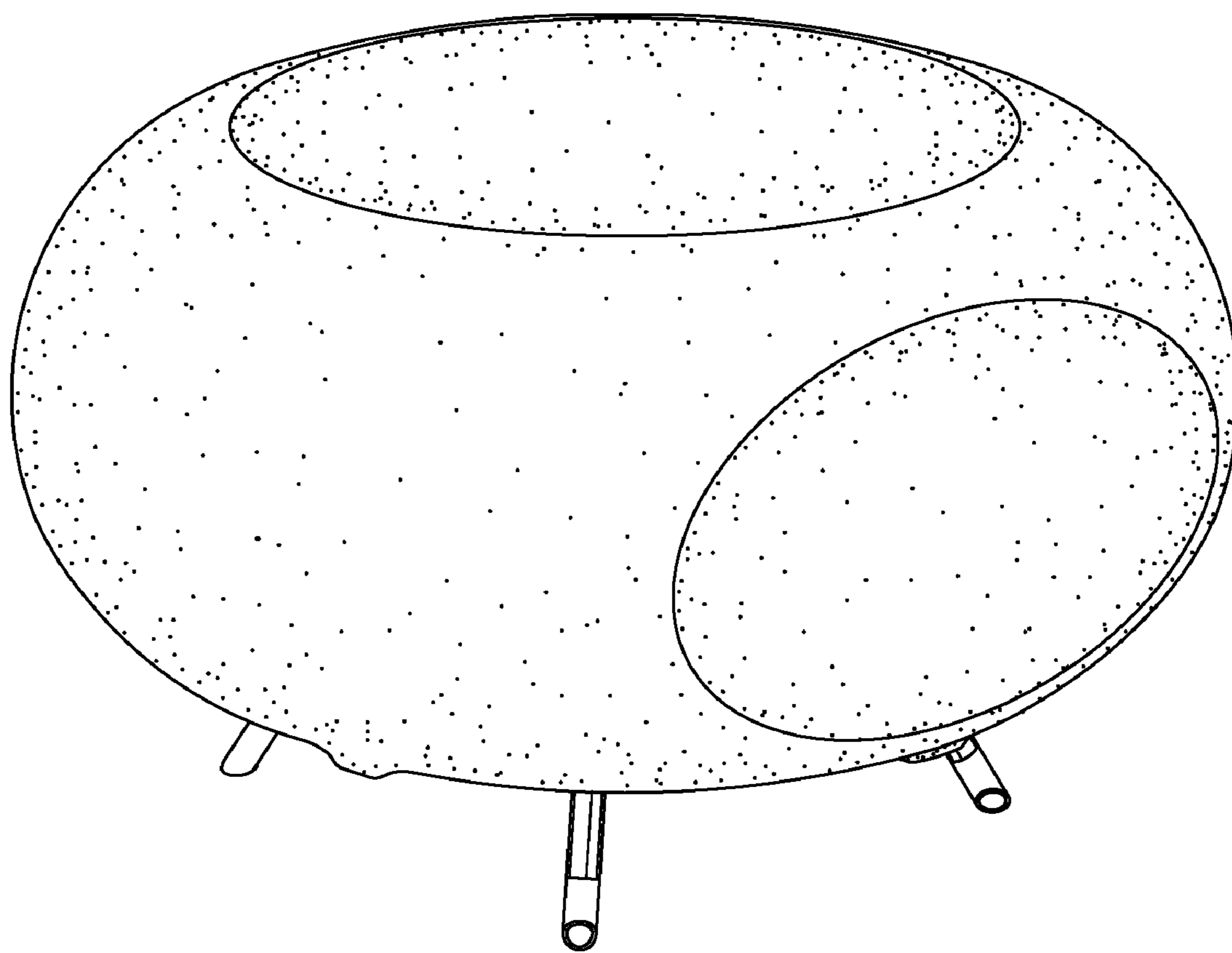


FIG. 7



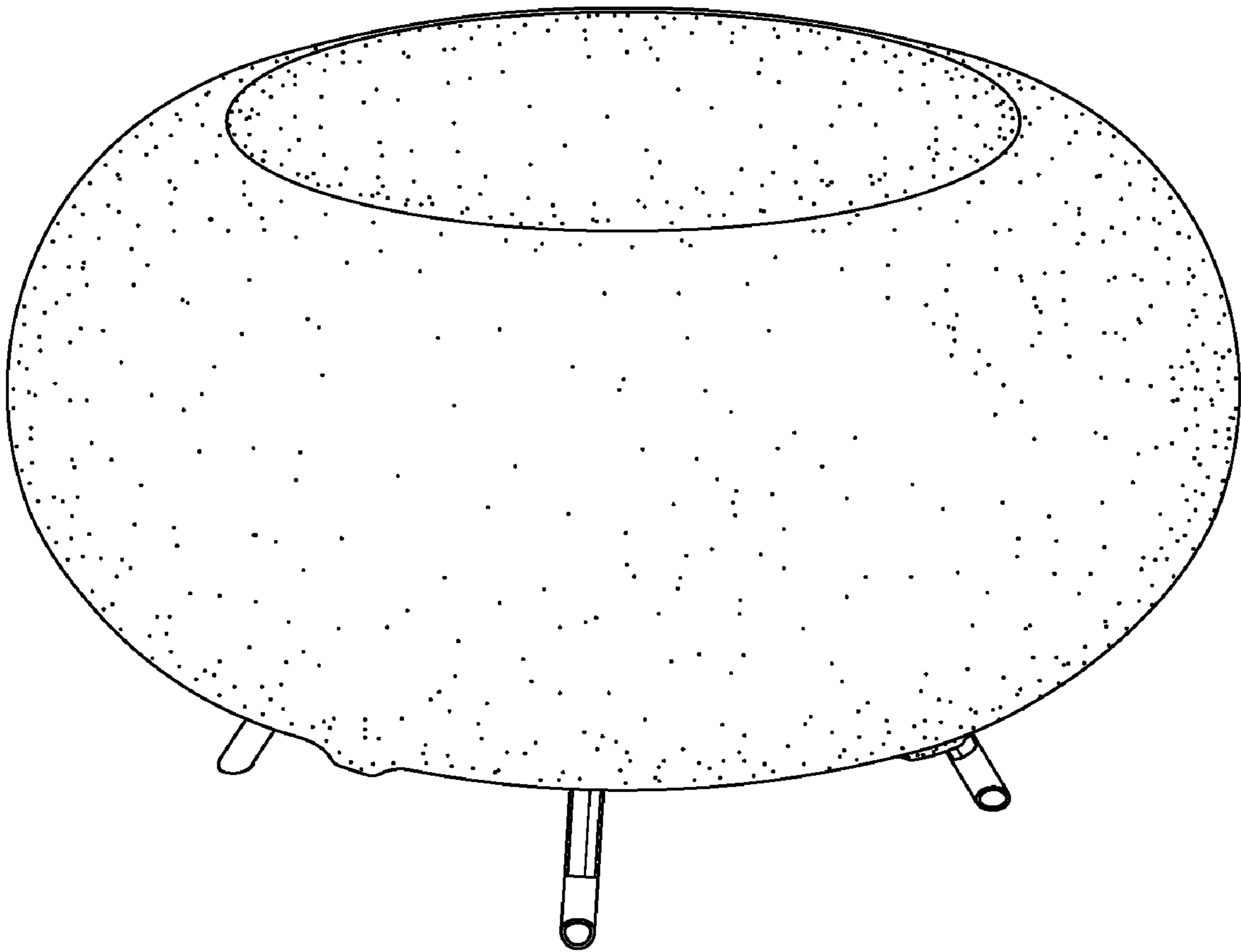


FIG. 8