



US00D587910S

(12) **United States Design Patent**
Frischling et al.

(10) **Patent No.:** **US D587,910 S**
(45) **Date of Patent:** **** Mar. 10, 2009**

(54) **DIGITAL PICTURE FRAME**

(75) Inventors: **William S. Frischling**, Great Falls, VA (US); **Jennifer L. Canty**, Great Falls, VA (US); **Ja Young Seo**, Bethesda, MD (US)

(73) Assignee: **Cagic, L.L.C.**, Sterling, VA (US)

(**) Term: **14 Years**

(21) Appl. No.: **29/318,346**

(22) Filed: **May 19, 2008**

(51) **LOC (9) Cl.** **06-07**

(52) **U.S. Cl.** **D6/310**

(58) **Field of Search** D6/300-314; 40/700; D14/371, 374

(56) **References Cited**

U.S. PATENT DOCUMENTS

D489,066 S * 4/2004 Tsai D14/371
D504,427 S * 4/2005 Hsu Li D14/371

OTHER PUBLICATIONS

Mambo—DIgital photo frame with 7"screen. (no remote control),<http://www.oneinhundred.com/Wholesale-China/various->

Digi...o-frame-with-7--screen----No-remote-control---324290.htm
(1 of 4)Nov. 19, 2008.*

* cited by examiner

Primary Examiner—Janice E Seeger
Assistant Examiner—Sydney R Buffalow
(74) *Attorney, Agent, or Firm*—Fish & Richardson P.C.

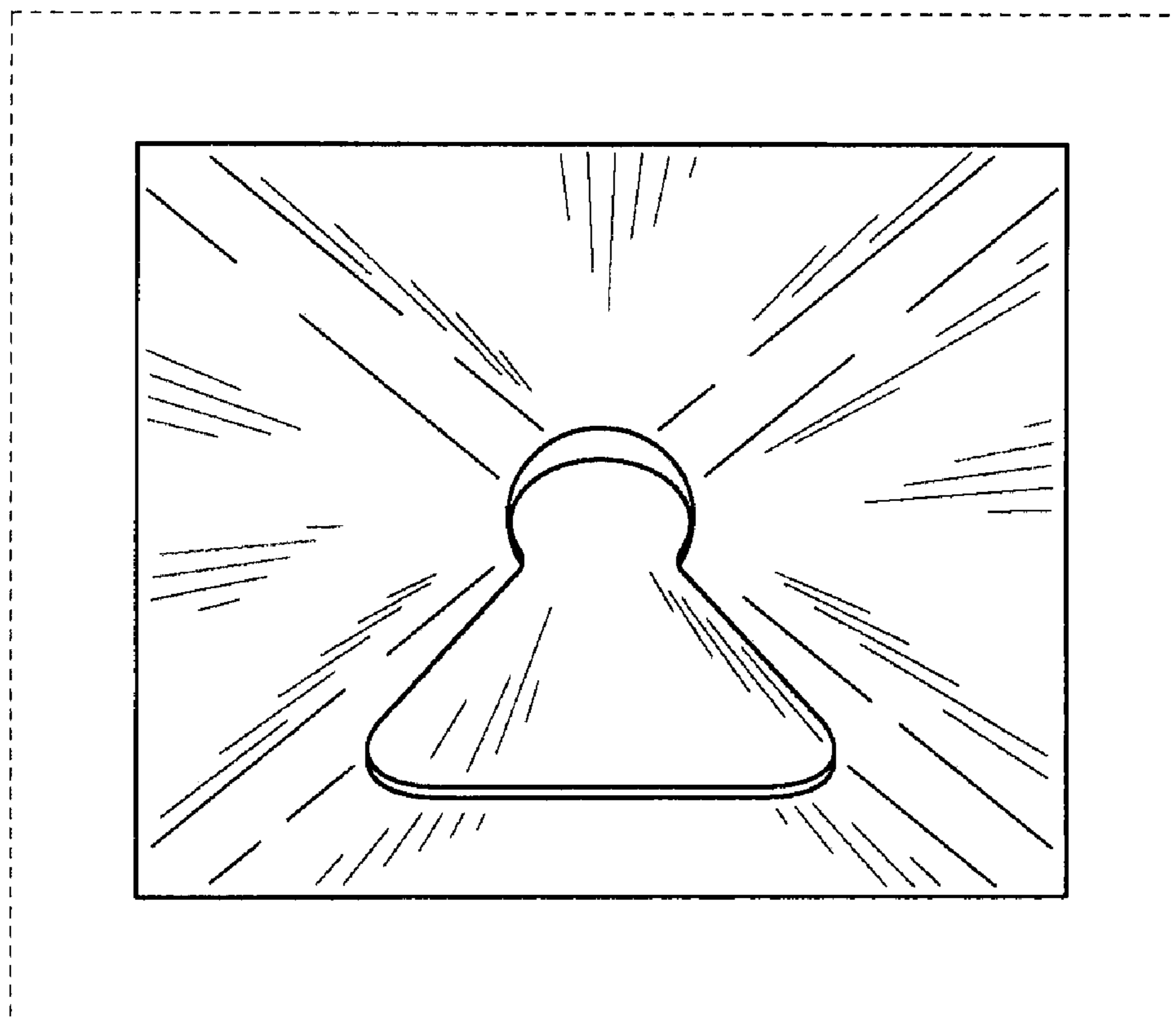
(57) **CLAIM**

The ornamental design for a digital picture frame, substantially as shown and described.

DESCRIPTION

FIG. 1 is a rear view of the design.
FIG. 2 is a right-side view of the design.
FIG. 3 is a left-side view of the design.
FIG. 4 is a top-side view of the design.
FIG. 5 is a bottom-side view of the design; and,
FIG. 6 is a rear, perspective view of the design.
The front view is not an element of the claimed design. The broken lines which define the bounds of the claimed design form no part thereof.

1 Claim, 3 Drawing Sheets



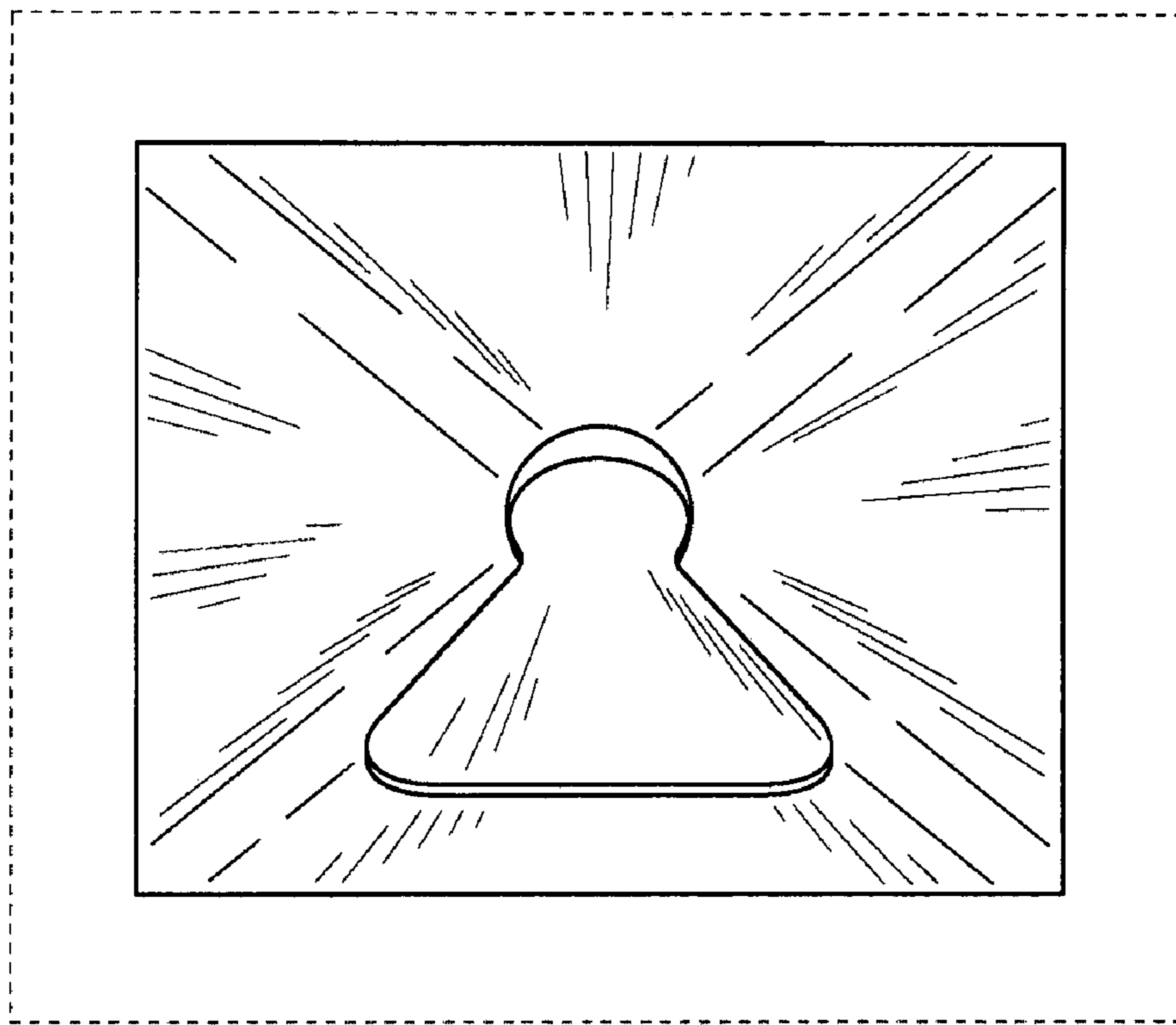


FIG. 1

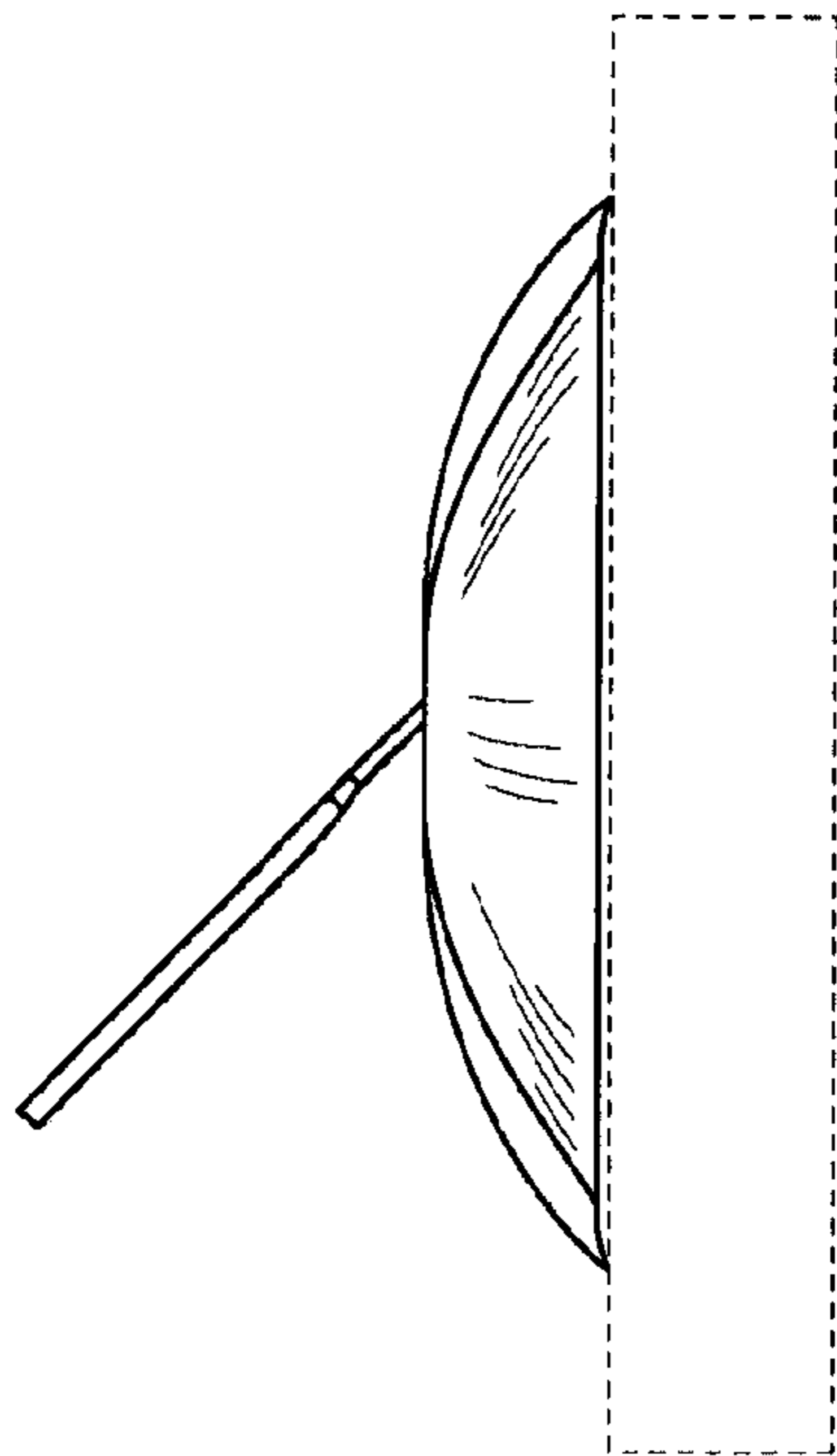


FIG. 2

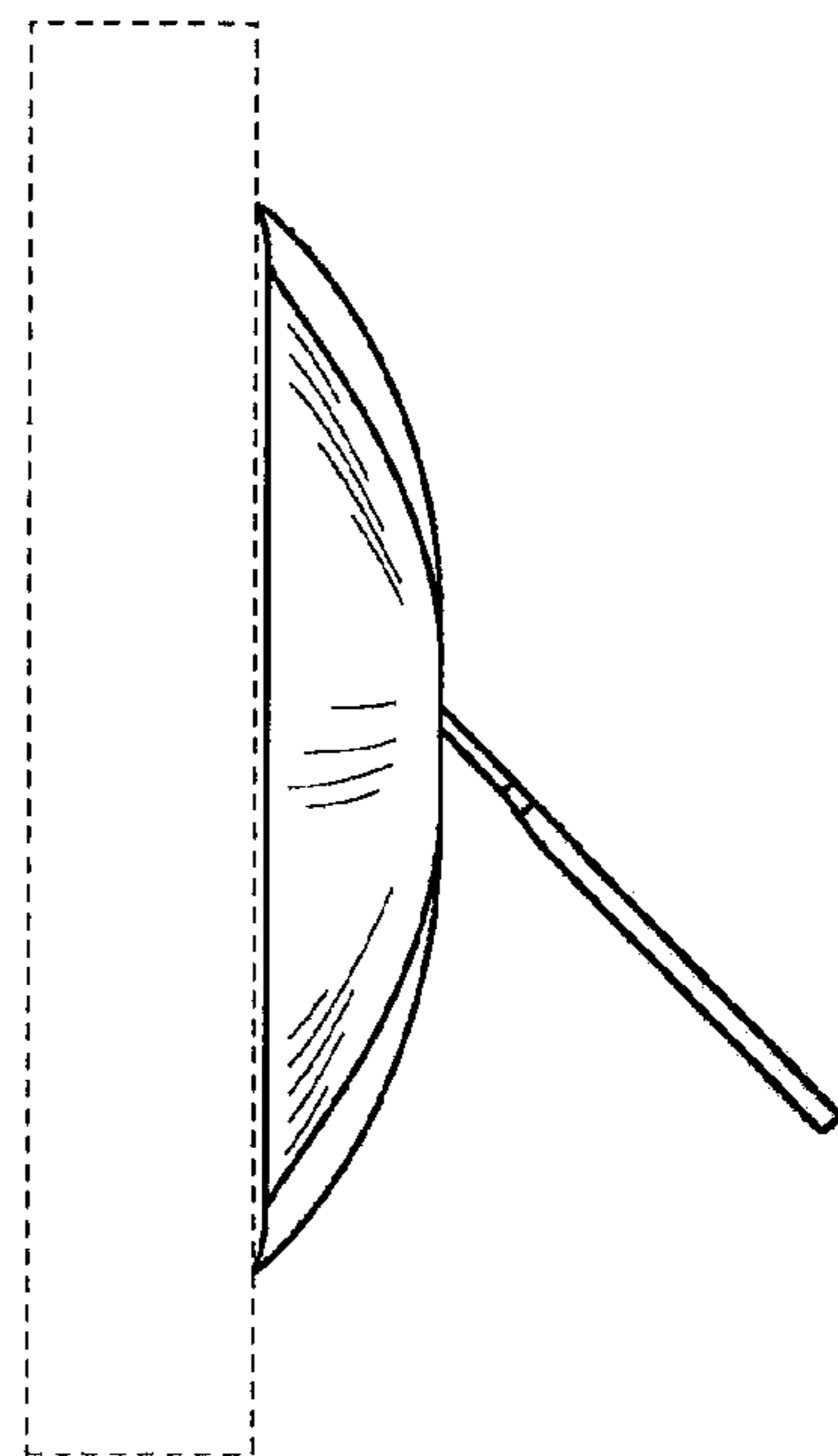


FIG. 3

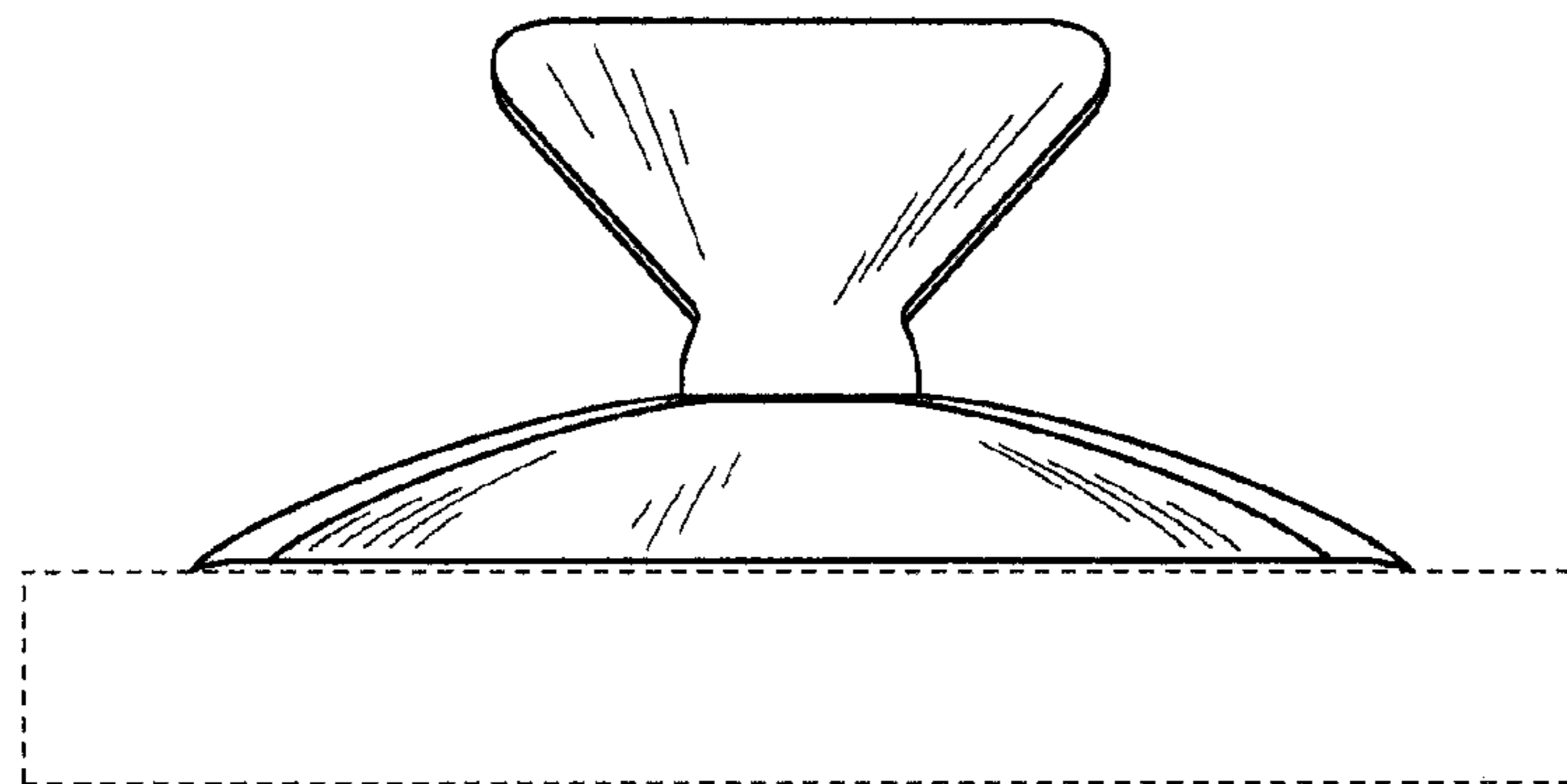


FIG. 4

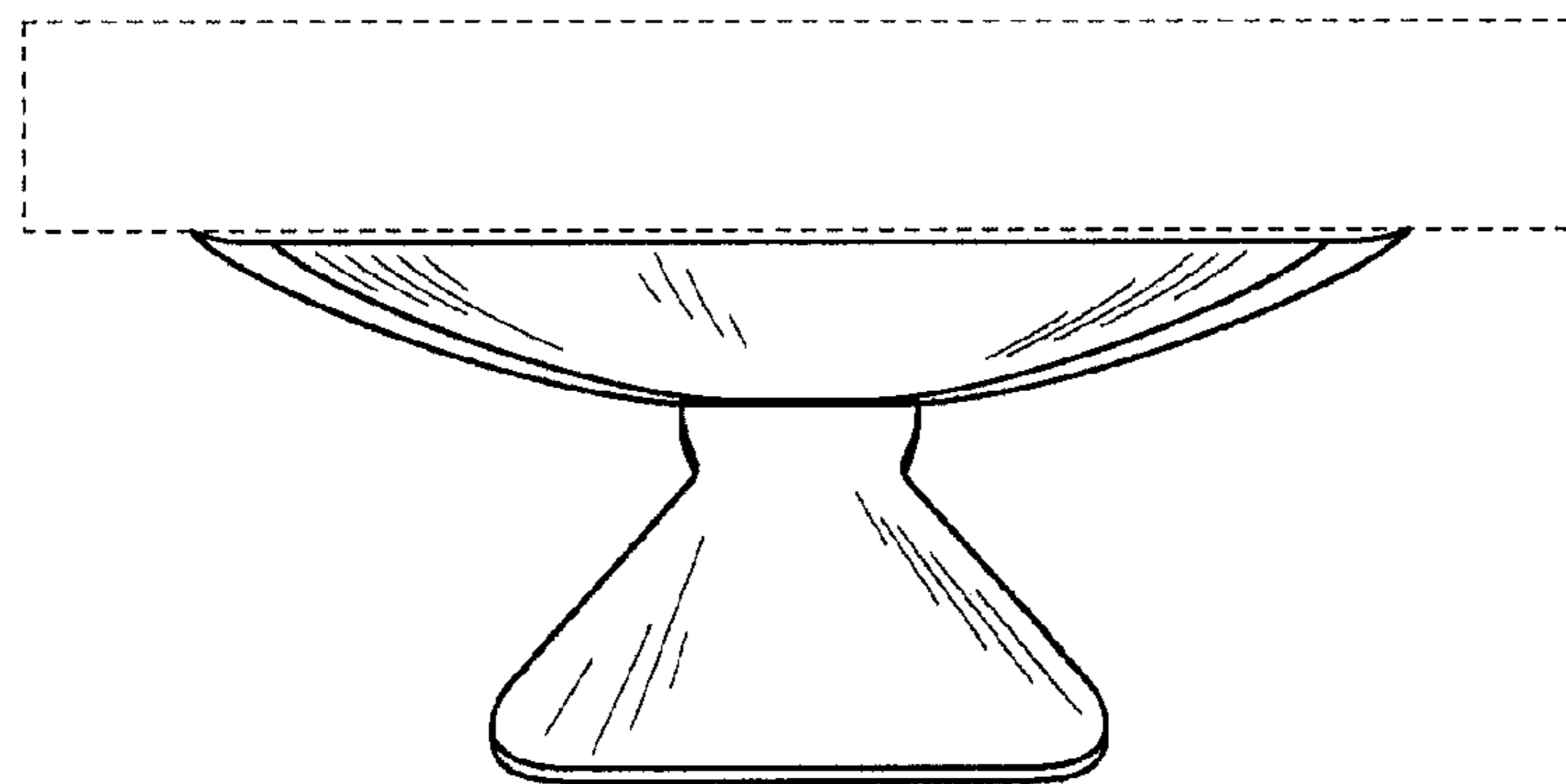


FIG. 5

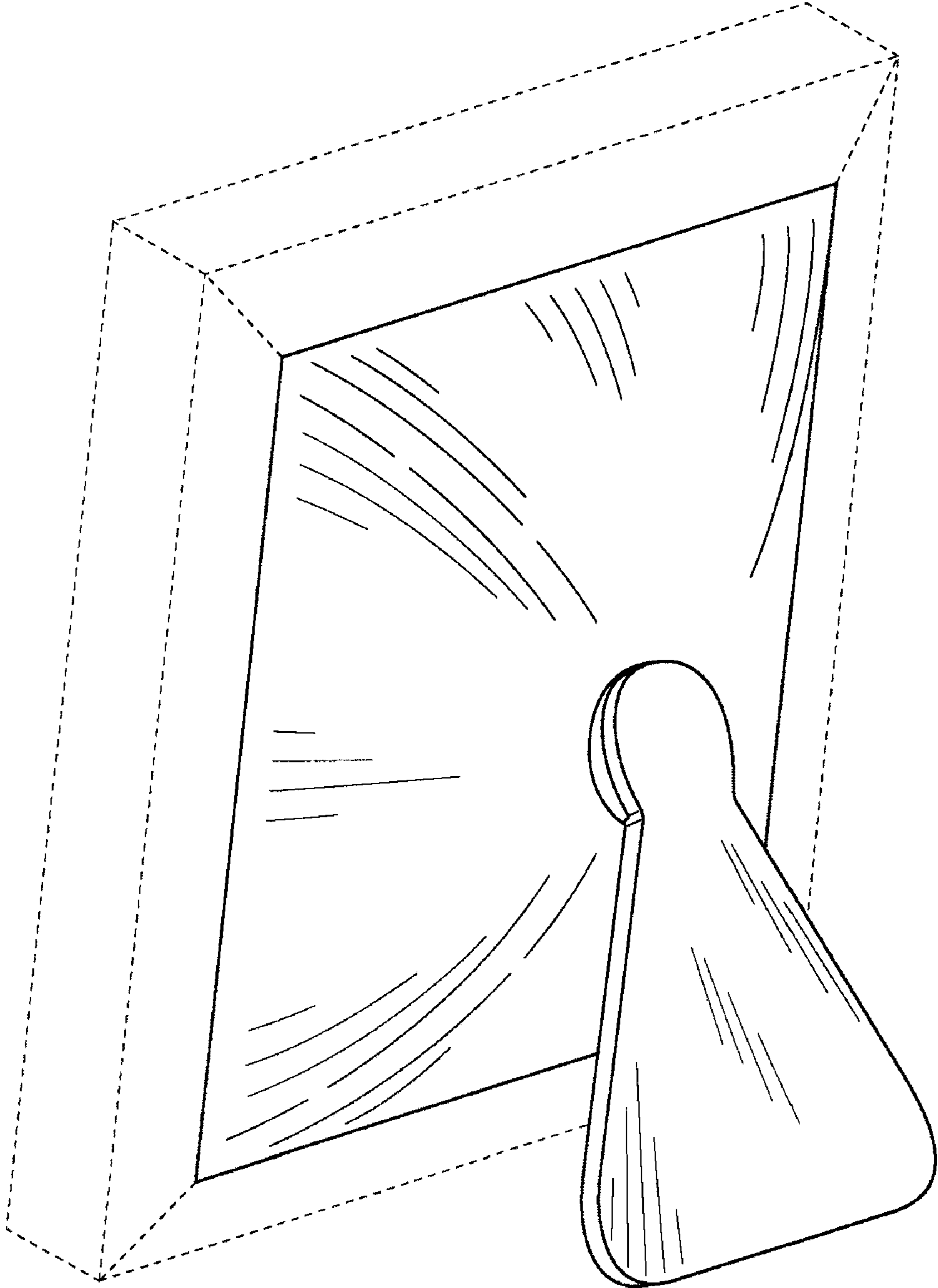


FIG. 6